

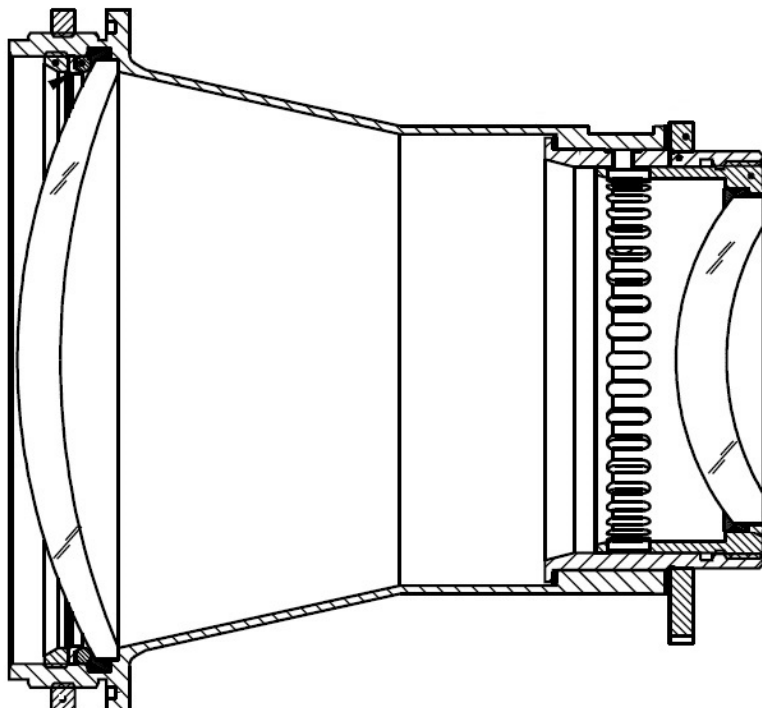
# 75mm F/1.4 LWIR Imaging Lens, B1834-SA-101

## Data Sheet



### Description

The Beck Optronic Solutions 75mm F/1 fixed focal length lens is a compact and lightweight lens designed, optimised and anti-reflection coated for applications in the Long Wave Infrared (LWIR) waveband (8-12 $\mu$ m).



Focal Length	75mm
Aperture (F/#)	f/1.4
Focus range	10m- $\infty$ , continuous adjustment
Field of View	8.3° x 6.3° (640 x 420 x 17 $\mu$ m detector)
Distortion	<2%
External surface coating	High durability DLC
Average transmission	88%
Operating Temperature	-32°C to +49°C
Storage Temperature	-33°C to +71°C
Sealing (front surface)	IP67

### About Beck Optronic Solutions

BOS has a reputation for excellence in design and manufacture of precision optics that can be traced back over 175 years. Based near London, UK, BOS delivers complex, integrated electro-optic systems for defence and commercial use across the electromagnetic spectrum from UV to LWIR.

For pricing or further information please contact us at:

t: +44 (0) 1442 255755 | f: +44 (0) 1442 210770 | e: [info@beckoptronic.com](mailto:info@beckoptronic.com) | [www.beckoptronic.com](http://www.beckoptronic.com)

Registered in England No 09072729 | VAT No GB 196 4396 58  
Registered office: Focus 31 – West Wing, Mark Road, Hemel Hempstead, Hertfordshire HP2 7BW, UK



FM 623181