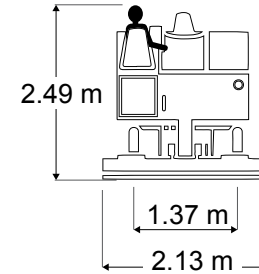
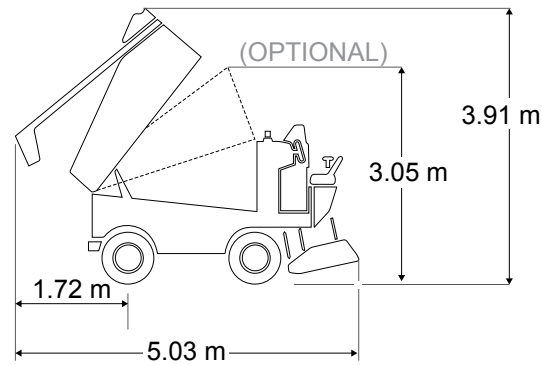
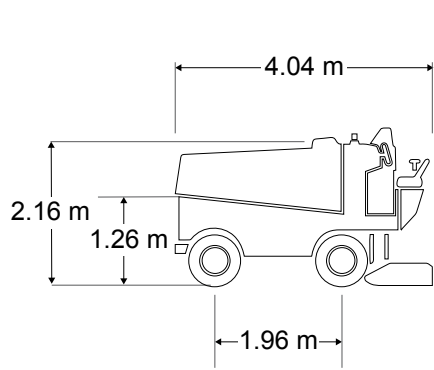


MODEL 552^{AC} ELECTRIC



CAPACITIES

Snow Tank

Actual Volume	2.83 m ³	100 cu. ft.
Compacted	3.54 m ³	125 cu. ft.

Water

Ice Making	738 L	195 gal.
Wash Water	310 L	82 gal.
Total	1048 L	277 gal.

Hydraulic Oil	60.6 L	16 gal.
----------------------	--------	---------

POWERTRAIN

Four-Wheel Drive

Motors

Electric Hydraulic Pump Motor	8.2 kW	11 HP
Electric Traction Motor	17.9 kW	24 HP

Battery	80V, 510 Ah Standard	
----------------	----------------------	--

Axles

Front	2903 kg	6400 lb
Rear	2903 kg	6400 lb

DIMENSIONS

Overall

	L	W	H	L	W	H
Snow Tank Down	4.04 m	2.13 m	2.16 m	159 in.	84 in.	85 in.
Snow Tank Up	5.03 m	2.13 m	3.91 m	198 in.	84 in.	154 in.

Shaving Blade

	L	W	H	L	W	H
195.6 cm 77 in. Blade	195.6 cm	12.7 cm	1.27 cm	77 in.	5 in.	0.5 in.

Clearance

Minimum Operator Height Clearance	248.9 cm	98 in.
Snow Pit Clearance	125.7 cm	49.5 in.

Conveyor System

Horizontal Auger Diameter	25.4 cm	10 in.
Vertical Auger Diameter	25.4 cm	10 in.

Manueverability

Wheelbase	1.96 m	77 in.
Wheel Track	1.37 m	54 in.
Turning Radius at Conditioner	4.87 m	16 ft.

Weight

Empty	4423 kg	9750 lb
with Water	5148 kg	11350 lb



Advanced Water System — AWS™
Regulates amount of water dispensed onto the ice relative to machine speed for efficient and even application. *optional equipment



Zamboni Power Brush™
Wider brush path reaches higher on the dasher board kick plate for superior cleaning power. *optional equipment



Integrated Auger Washout System
Simplifies the vertical and horizontal auger washout task, from a single point on the conditioner. *optional equipment

**MODEL
552^{AC}
ELECTRIC**

STANDARD FEATURES

- 2 Year Warranty
- 400 Micron Wash Water Deep Filter Bag
- Aluminum Alloy Wheels
- Battery Charger: Microprocessor Controlled
- Brushless AC Motors
- Chassis: Strong All Welded Steel Tubing
- Conditioner Safety Guards
- Dependable Sevcon® Gen4 Solid State Controls
- Digital Training and Reference Materials
- Familiar Automobile-Style Foot Controls
- Four-Wheel Drive
- Guide Wheel
- Headlights and Tail Light (for Off Ice Travel)
- High Quality 9 Micron Filter
- High Speed Vertical Auger
- Hydraulic Oil Level Sight Gauge
- Industry-Proven Lead Acid Batteries

- On-Dash Diagnostics
- Parking Brake
- Power Steering
- Premium Polyester Felt Spreader Towel
- Replaceable Poly Conditioner Side Plates
- Rugged Dana Spicer® Axles
- Rust-Free Poly Ice Making Water Tank
- Snow Tank Safety Stand
- Spare Tire and Wheel
- Stainless Steel Hardware
- Steering Wheel Spinner Knob
- Touch Up Paint Kit
- Tungsten Carbide Studded Tires
- Variable Speed Electric Hydraulic Pump Motor
- Wide Spectrum of Premium Automotive Paint Colors

OPTIONS

- Advanced Water System (AWS™)
- Automatic Snow Breaker
- Back Up Alarm
- Battery Watering Gun
- Battery Watering System
- [Blade Change System](#)
- Cab Enclosure
- Conditioner: 96" Blade
- Conditioner: Galvanized
- Electric Water Level Gauge
- [FastICE® Ice Making System](#)
- IceCaps® Wheel Advertising System
- Integrated Auger Washout System
- [Level-Ice™](#)
- Low Guide Wheel
- Seat Belt
- Snow Melting Kit
- Snow Tank Dump Height Restriction
- Snow Tank Light

- Stainless Steel Water Distribution Pipe
- Tire Wash System
- Wash Water to Ice Making Water Transfer
- Water Level Sight Gauge
- Zamboni Power Brush™ Board Brush System
- [Zamboni Connect™ System](#)