

**NORTHGATE**  
TAKING CARE OF EVERY ASPECT



# ALPHA 20 ROLLER BLIND

**NORTHGATE**  
TAKING CARE OF EVERY ASPECT

Northgate, PO Box 200, Barnet, Herts EN4 9EW  
**Tel** 020 8441 4545 **Fax** 020 8441 4888  
**Website** [www.northgateuk.com](http://www.northgateuk.com) **Email** [enquiries@northgateuk.com](mailto:enquiries@northgateuk.com)



## ALPHA 20 ROLLER BLIND

### Features:

The Alpha 20 Roller Blind incorporating Slipstream Technology has metal control chain as standard. White metal universal brackets for face, top or side fixing with 32, 40 or 45mm grooved aluminium barrel, depending on blind size and fabric weight. Fabric is locked into groove in barrel, and features white plastic bottom bar as standard. Bottom bar is fabric covered at front.

### Benefits:

Strength and simplicity make the Alpha 20 Roller Blind the first choice for a vast range of applications. The choice of barrel size means that the blind is always ideally matched to window size for optimum performance. Vandal resistant features includes Slipstream: a friction reducing technology - smooth action operation, air cooled design and double spring function - providing you with enhanced hold, exceptional long life properties and advanced chain loading. Metal control chain, fabric locked into barrel and bottom bar, and sturdy, attractive metal brackets.

### Options:

32mm Slipstream mechanisms in black, silver or brown; Extension brackets and bracket covers; Plastic control chain; Alternative bottom bars including fully fabric covered in aluminium or plastic, and Tear Drop aluminium in black, silver or white; Wire side-guiding system; White aluminium back bar; Turn-button tag.

### Specification:

Flame retardant fabric from the Northgate range, locked into grooved 32/40/45mm aluminium barrel along with white plastic bottom bar. Slipstream® Technology sidewinder control with metal control chain and white metal brackets.

Crank Operation



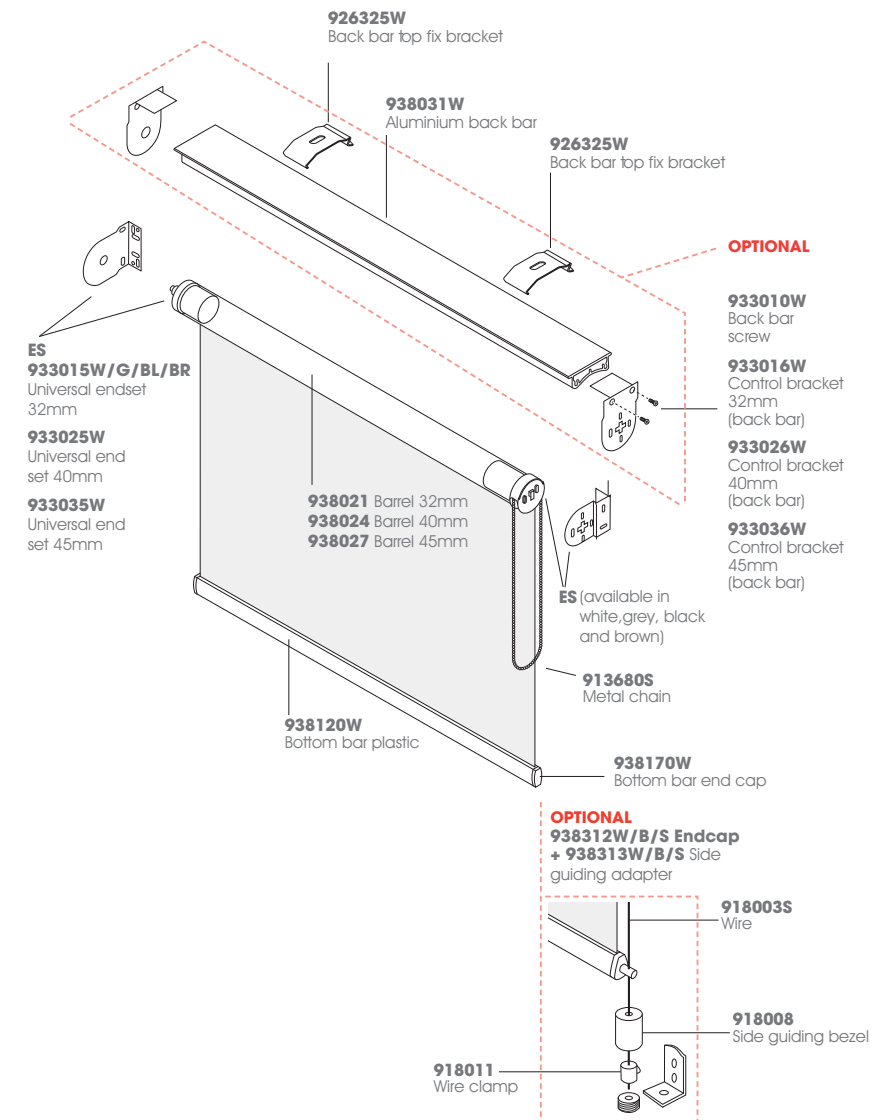
Sidewinder Operation



Spring Operation



## ALPHA 20 ROLLER BLIND



**N LIFETIME WARRANTY** This fabric range comes with a full **Lifetime Warranty** as standard.

For more information and images please visit our website at:

**WWW.NORTHGATEUK.COM/ALPHA-20**