



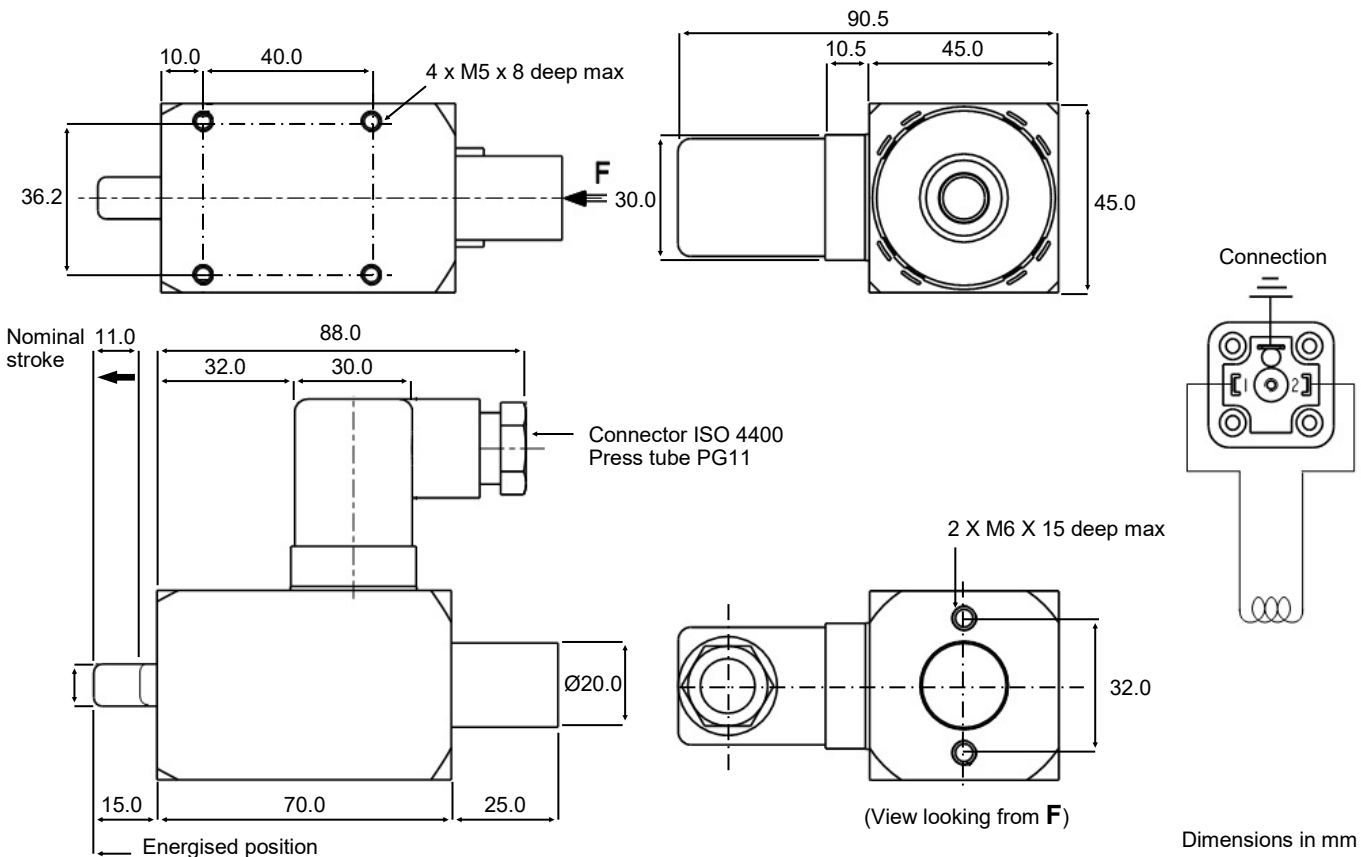
B.24
SHOTBOLT SOLENOID
LOCKING POWER ON
WITHOUT POSITION MONITORING
IP54

BDC24

- Maximum radial force: **135kg**
- Stroke: **11mm**
- Plunger input and output force: **500g**
- Standard voltage: **24V DC**
- Possible voltages: **12V - 200V DC**
- Power: **18W-100% (Permanent service)**
- Return Spring: **Internal**
- Protection: **IP54**
- Weight: **900g**
- Service operating temperature: **-5°C, +40°C**
- Temperature rating: **B**
- According to Standards: **NF C 79-300**

Example of use:

- Cover locking
- Door locking
- Manipulator locking
- Dust cover locking



We reserve the right to alter or amend designs without prior notice.

B24 Rev 2 - 2017

HE & BS Benson Ltd

1 Laureate Industrial Estate, Exning Road, Newmarket, Suffolk UK CB8 0AR

T. +44(0)1638 663535 — 663130 F. +44(0)1638 667434 E. sales@hebsbenson.co.uk www.hebsbenson.co.uk