



Made in Britain. Trusted worldwide.

Design  
Manufacture  
Install  
Commission  
Maintain



Units 1 & 2 Hillcrest  
Brow Mills Industrial Estate  
Hipperholme, Halifax, West Yorkshire  
England. HX3 8EF

Tel: 0870 100 1020  
Fax: 0870 100 1021  
[mail@northdeanengineering.co.uk](mailto:mail@northdeanengineering.co.uk)  
[www.northdeanengineering.co.uk](http://www.northdeanengineering.co.uk)



North Dean Engineering Limited is a privately owned company established in 1971. The management has over 60 years of previous experience in providing bespoke solutions for the quarry, mining, recycling and material handling industries in the fields of design, manufacture, installation, plus the operation and repair of quarry equipment and plant.

Equipment such as vibrating screens, hoppers, feeders, grizzly screens, conveyors and finger screens are combined to give the appropriate solution to the client's problems.

North Dean Engineering offers a unique in-house service of designing, manufacturing and installing screens to fit into existing location, meaning there is no need to modify any existing steelwork or chutes.

Site Manager at Cemex UK: ***'We chose North Dean Engineering to supply the new screen following internal discussions within the Cemex group. North Dean Engineering have an increasing presence within the industry and knowing you are dealing direct with the manufacturer cuts out any middle man'.***

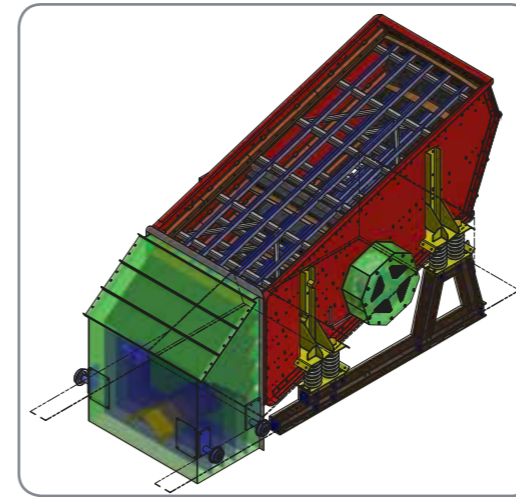
Tarmac Site Manager: ***"We chose North Dean Engineering as they had helped us keep our existing screen running when we had recurring shaft assembly issues. They offered a competitive price with a bespoke solution, along with their extensive asphalt screen knowledge and experience"***.



*Andrew Firth*, Director



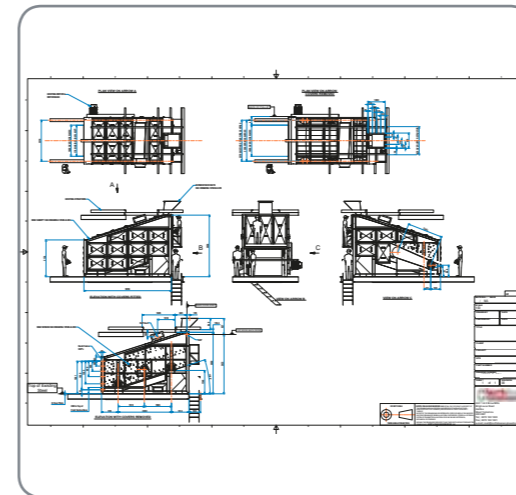
*Simeon Riach*, Director



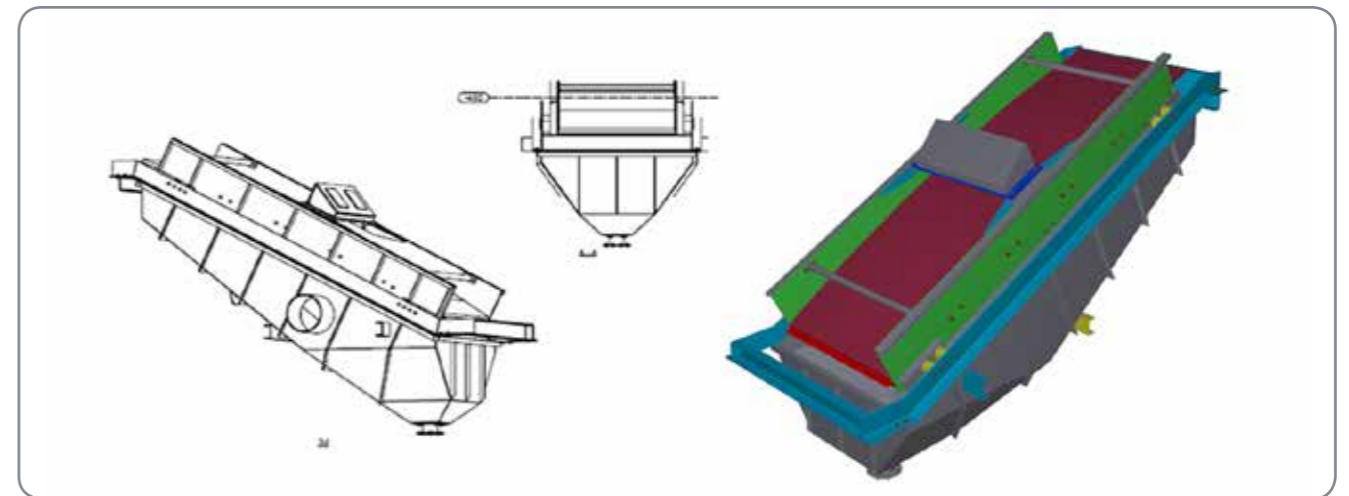
## *Right from the start*

Our in-house engineering design team works in collaboration with our engineers on-site. This close partnership and attention to detail ensures that your project meets all of your individual specifications right from the outset.

Our experienced engineering team will carry out site measuring to encompass our own equipment plus we utilise the most appropriate equipment for our customer's own application.



- Latest CAD Software
- Experienced Design Engineers
- Full Support and Guidance
- Process & Instrumental Design
- General Arrangements
- Structural Specification
- Design Detailing



# Who we are

*"...bespoke solutions, extensive knowledge..."*

*"...in-house engineers, detailed specifications..."*

# Design

## Aggregate Screens

Ideally used for various quarry products inclusive of scalping, washing and grading.

All of our screens are designed to suit client's application.



## Asphalt Screens

We offer a high temperature oil bath lubrication system with all of our Asphalt Screens.

Incorporating the latest shaft assembly design with specially formulated high temperature oil to cope with ever increasing plant operating temperatures.



## Tine & Finger Screens

Designed specifically for problematic screening issues.

This machine efficiently separates material containing clay or sticky substances, eliminating the downtime related to de-pegging on other media.



## Grizzly & Scalping Screens

Utilising a design to combine with our range of feeders. Fitted with individual grizzly bars or grizzly modules and impact decks as required.

These are usually situated under hoppers and designed to scalp out undersized material before crushing. Meaning the machine scalps off any oversized material.

Giving increased production and flexibility.



## De-Watering Screens

Our de-watering screens are custom engineered and use heavy duty screen media for high capacity applications.

These are designed to specifically reduce the moisture of the material to suit.



## Feeders

All of our heavy-duty feeders are of a fully welded construction, complete with wear resistant liners giving a regulated flow of material from primary dump hoppers.

Combined with a robust vibrator drive mechanism and optional variable speeds which allow greater flexibility, reliability and performance.

# Screening Equipment

*"...tailored to suit every application..."*

## *You're safe with North Dean*

We provide comprehensive method statements and risk assessments for each project undertaken, to ensure all our work is carried out to the highest safety standards.

- All work carried out to current Health and Safety Regulations
- Highly skilled, experienced personnel
- Repairs and maintenance on existing plant
- Machine Breakdowns
- Deck Replacements
- Bearing Changes
- Screen Inspections
- Maintenance Contracts
- Plant Demolition and Removal
- General Repairs



## *Screen Spares*

- Shaft Assembly Replacement Parts
- Springs
- Deck Frames
- Guarding
- Spray Bar Systems & Accessories
- Motors & Drives

## *Screening Media*

- High Tensile Woven Wire
- Rubber Side Tensioning Mats
- Perforated Steel Plates
- Polyurethane Steel Plates
- Polyurethane Modular Systems

We ship around the world - from a single part to a full container - and can meet all your requirements.



## *Items for Sale*

Visit our website to see the latest new and used equipment on offer. Every item, from a mobile screen or static crusher, can be shipped around the world direct to where you need it.

We can also source equipment for customers to suit their specific requirements.

# On site activity

*"...highly skilled, comprehensive, safe..."*

*"...worldwide shipping..."*

# Parts