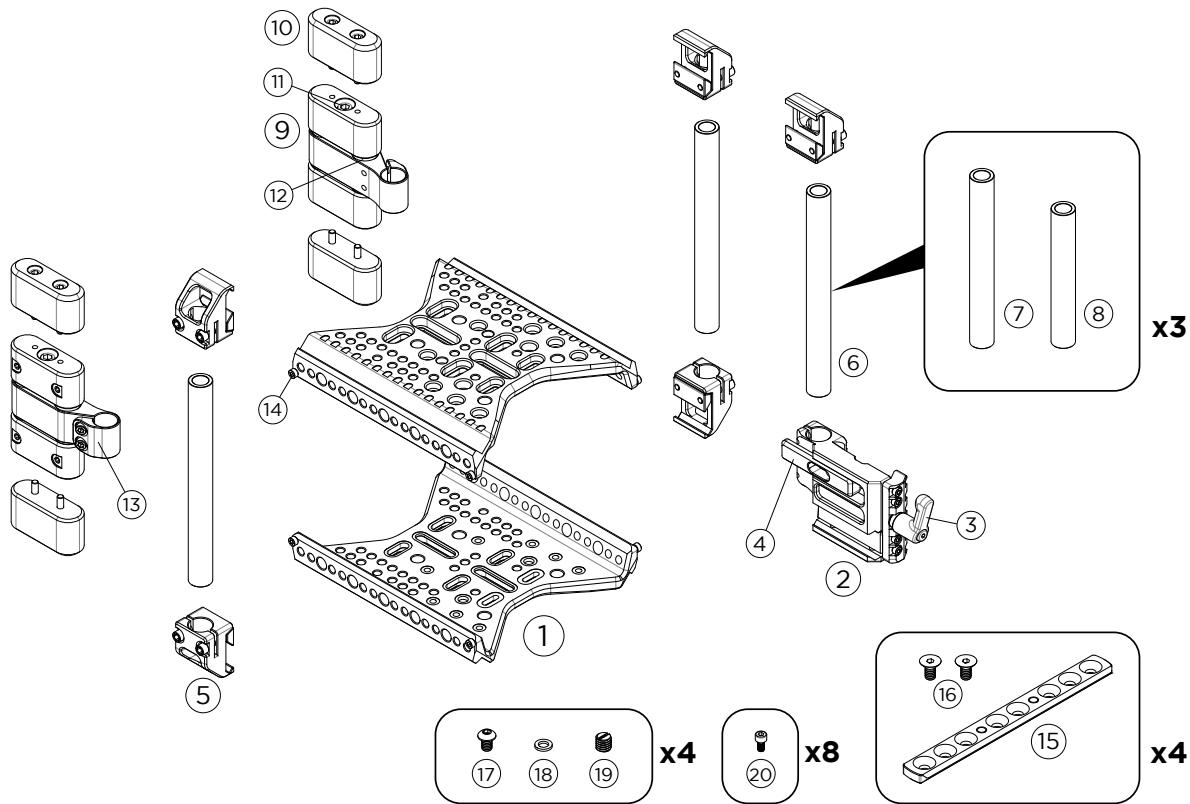


---

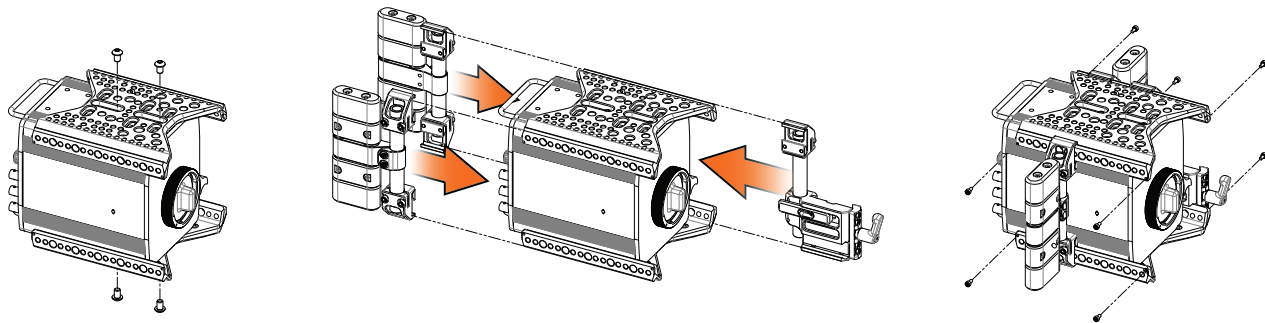
# INSTRUCTION

NEWTON CAMERA CAGE

BY **INTUITIVE AERIAL**



- ① Mounting Plate
- ② Quick Release Adapter
- ③ Quick Release Adapter Lever
- ④ Quick Release Adapter Safety Latch
- ⑤ Rod Clamp
- ⑥ Rod 150mm
- ⑦ Rod 125mm
- ⑧ Rod 100mm
- ⑨ Main Counterweight
- ⑩ Extension Counterweight
- ⑪ Counterweight Security Screw
- ⑫ Vibration Absorber
- ⑬ Counterweight Attachment Clamp
- ⑭ Rail Safety Screw (M3x6)
- ⑮ Extension Rail
- ⑯ Extension Rail Screw (3/8"-16)
- ⑰ Camera Screw (1/4"-20)
- ⑱ Camera Screw Washer
- ⑲ 1/4" to 3/8" Screw Adapter
- ⑳ ALEXA Mini Screw (M4x8)

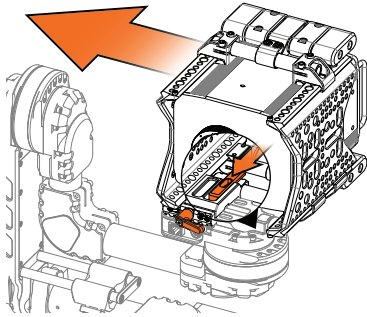


Start by attaching the plates to the camera. Make sure that the sides of the Mounting Plates ① are aligned with each other.

When using a large lens its easier to mount the plates to the camera before attaching the lens to the camera.

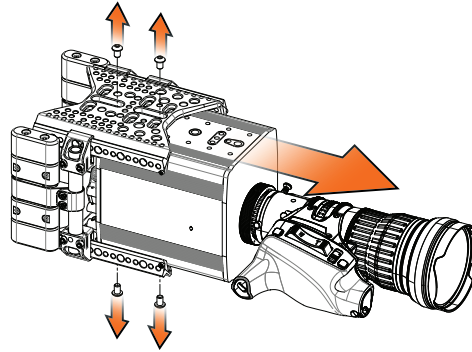
Attach the Quick Release Adapter ② and the Main Counterweights ⑨ by sliding them on to the sides of the Mounting Plates ①. Secure by tightening the screws on the Rod Clamp ⑤ and the screws underneath the Quick Release Adapter ②.

After installing the Quick Release Adapter ② and Main Counterweights ⑨ mount the Rail Safety Screws ⑭. This will prevent counter weights and quick release adapter from accidently slipping off while adjusting the balance.

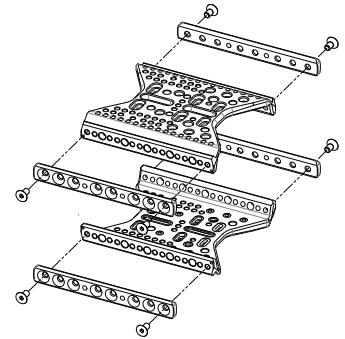


Mount the Camera Cage to the NEWTON by releasing the Quick Release Adapter Lever (3) and aligning the Quick Release Adapter (2) to the dovetail on NEWTON and slide the cage onto the dovetail while pushing the Quick Release Adapter Safety Latch (4). Secure by tightening the Quick Release Adapter Lever (3).

To remove Camera Cage, release the Quick Release Adapter Lever (3) and slide the Camera Cage off the dovetail while pressing the Quick Release Adapter Safety Latch (4).

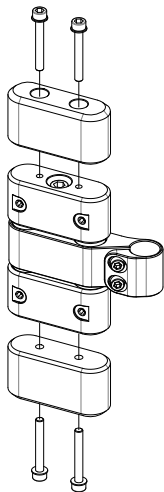


The camera and lens can be removed without disassembling the cage by removing the Camera Screws (17) and sliding the camera package forward.



For some camera packages the Extension Rails (15) need to be mounted to the sides of the Mounting Plates (1).

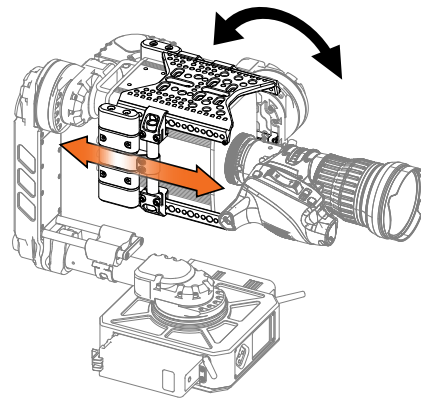
Note: Before starting to balance the Cage make sure that all additional accessories are mounted and the lens cap is removed as they affect the balance.



## COUNTERWEIGHT

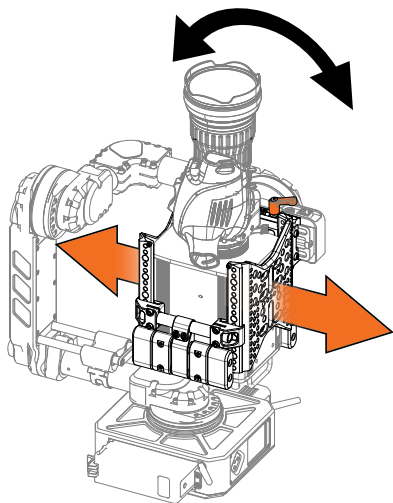
Depending on which camera and lens that are used one or two Main Counterweights (9) are required, each with 0, 1 or 2 Extension Counterweights (10).

The ratio between how much counterweight is used on the left and right side of the cage will greatly affect the balance in roll.



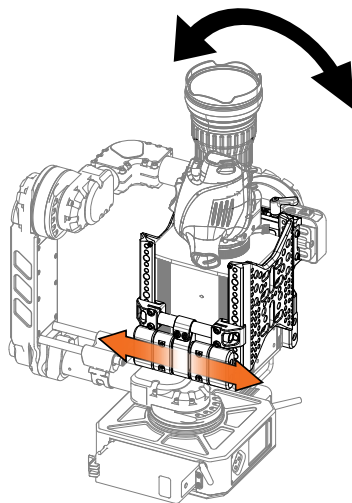
## HORIZONTAL TILT BALANCE

Loosen the screws on the Rod Clamps (5) and slide the Main Counterweight (9) back-and-forth along the side of Mounting Plates (1). Tighten the screws when finish.

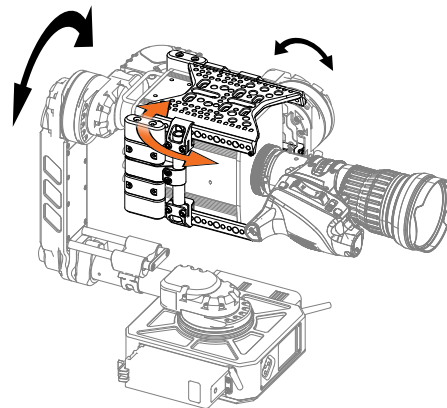


## VERTICAL TILT BALANCE

Start to adjust the vertical tilt balance by releasing the Quick Release Adapter Lever (3) and moving the cage along the NEWTON dovetail by rotating the vertical adjustment knob on the NEWTON. Tighten the lever when finished.

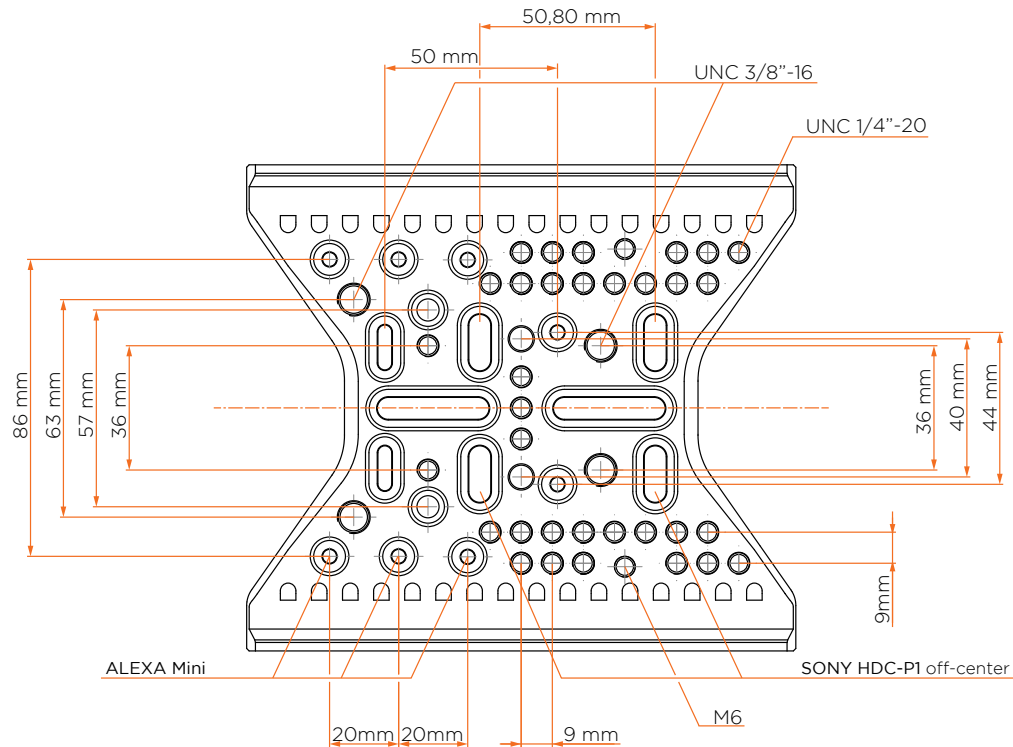


Fine tune the vertical tilt balance by loosening the screws on the Counterweight Attachment Clamp (13) and move the Counterweight up-and-down along the rod. Tighten the screws when finished.



## ROLL BALANCE

Loosen the screws on the Counterweight Attachment Clamp (13) and rotate the counterweight around the rod. Tighten the screws when finished.





# SUPPORT

Phone +46 737 30 38 00

[support@intuitiveaerial.com](mailto:support@intuitiveaerial.com)

[www.intuitiveaerial.com](http://www.intuitiveaerial.com)

