

Norfolk Greenhouses



Canopy

BCCSUWN2820 / BCCSUWN2825

Assembly Instructions

IMPORTANT

Please read these instructions thoroughly before starting assembly.

Check all parts are present before assembly, call 020 3011 2040 for replacement parts.

These instructions should be kept in a safe place for future use.

Introduction

Thank you for your purchase of our Canopy. We hope you enjoy your purchase.

Please read through these instructions and familiarise yourself with the construction process before you begin.

We operate a programme of continuous product improvement and we reserve the right to change the specification without prior notice, the latest model is supplied.

Although we have taken great care to ensure this kit is complete, occasionally we make mistakes. There are no robots involved in the production our products, just regular people! Please check that you have all of the parts listed before starting the assembly. If there are any damaged or missing parts, please call us on 020 3011 2040. We will express any missing parts to you as soon as possible.

Keep these instructions in a safe place for future use. They can be useful for identifying parts when ordering replacements should you suffer severe storm damage or vandalism.

We are confident you will get a long life from your product. We offer a 1 year manufacturers warranty, against manufacturing faults or defects. Sadly we are unable to cover against storm or weather damage. If you experience any difficulties with your product please call the number above for support.

Contents

Hints, Tips & Safety.....	3
Parts List.....	4
Front & Back Beam Assembly.....	6
Roof Frame Assembly.....	8
Roof and Gutter.....	10
Anchor Feet.....	12

Hints and Tips

- All frame parts are identified with the part number, all other parts can be identified by measuring and comparing to the list of materials in this manual.
- Lay out all your parts in organised groups before commencing assembly.

Caution

- Two people are required to safely assemble this product.
- Take care and wear safety gloves when working with metal parts as some have sharp edges.
- Keep children and pets away from the assembly area.
- Keep the area around your work place area clean and tidy.
- Take care when handling sharp tools and never carry sharp tools in your pocket.
- Never leave your product unattended or partially built, especially outside on a windy day.
- You are advised to take care and wear suitable personal protective equipment such as safety glasses & gloves where possible.

Tools Required

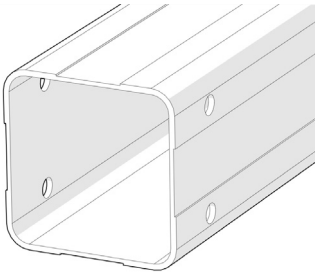
- Large flat-head screwdriver
- Cross-head screwdriver (PZ2)
- 8mm socket, 10mm socket
- Ø6mm masonry drill bit
- Spirit level
- Ladder

Maintenance

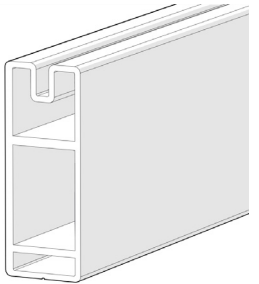
- It is advised that periodically or after storms or gales you check all nuts, bolts and screws, and tighten where necessary.
- Clean using warm soapy water and a non-abrasive cloth.

Framework

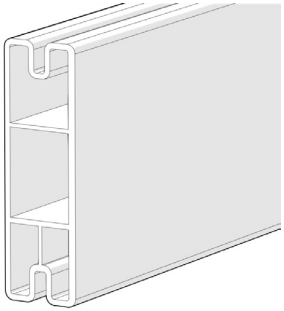
1x PST1 / PST3
1x PST2 / PST3-A



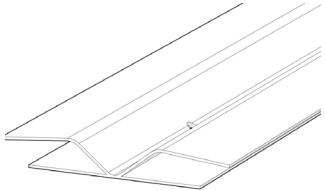
3x RL21
2x RL21A
1x RL22



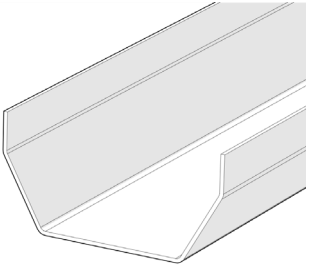
1x BM2



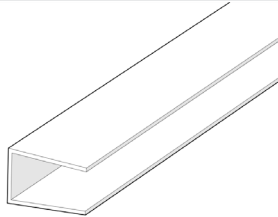
1x HB5



1x GUT2820W

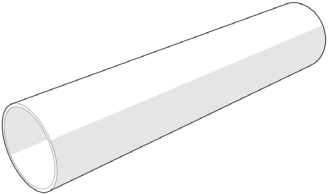


2x ET13



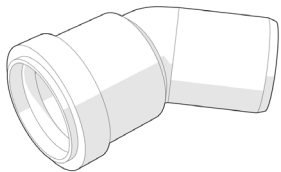
Hardware

1x



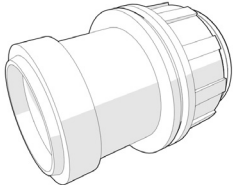
WP11

1x



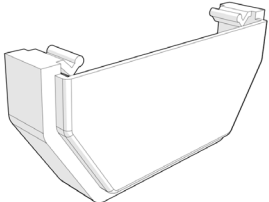
WPB32W

1x



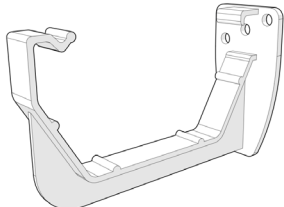
WP35

2x



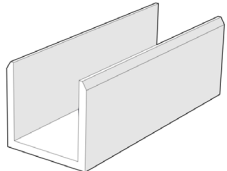
WRES1

4x



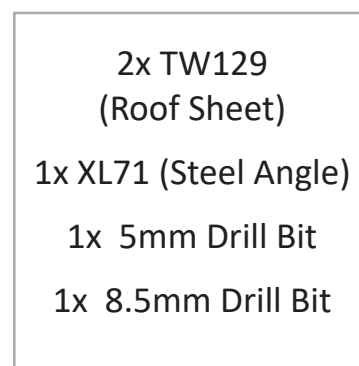
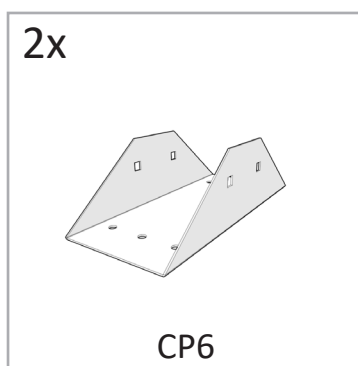
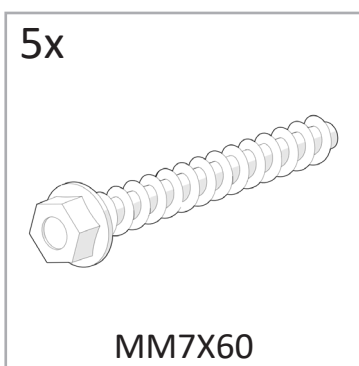
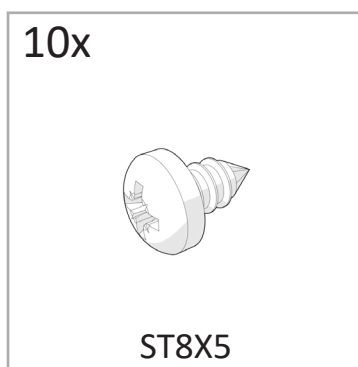
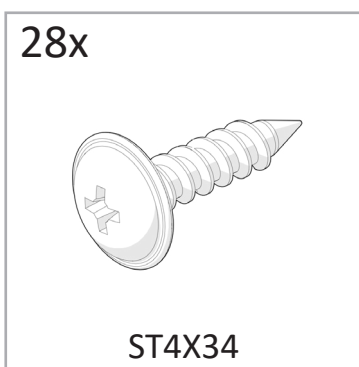
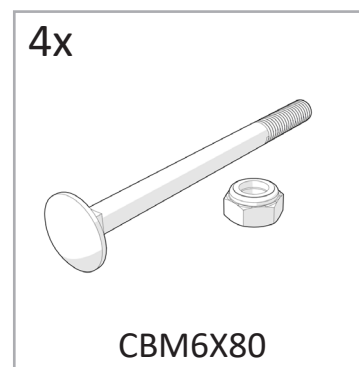
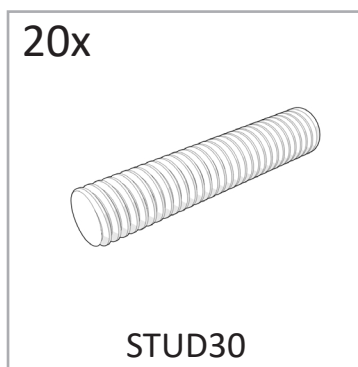
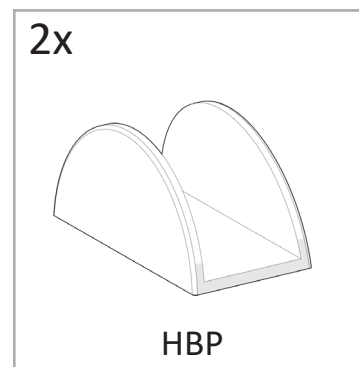
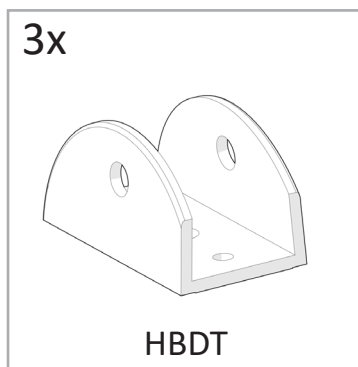
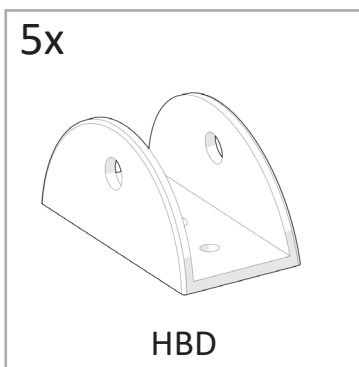
WRKS1

2x

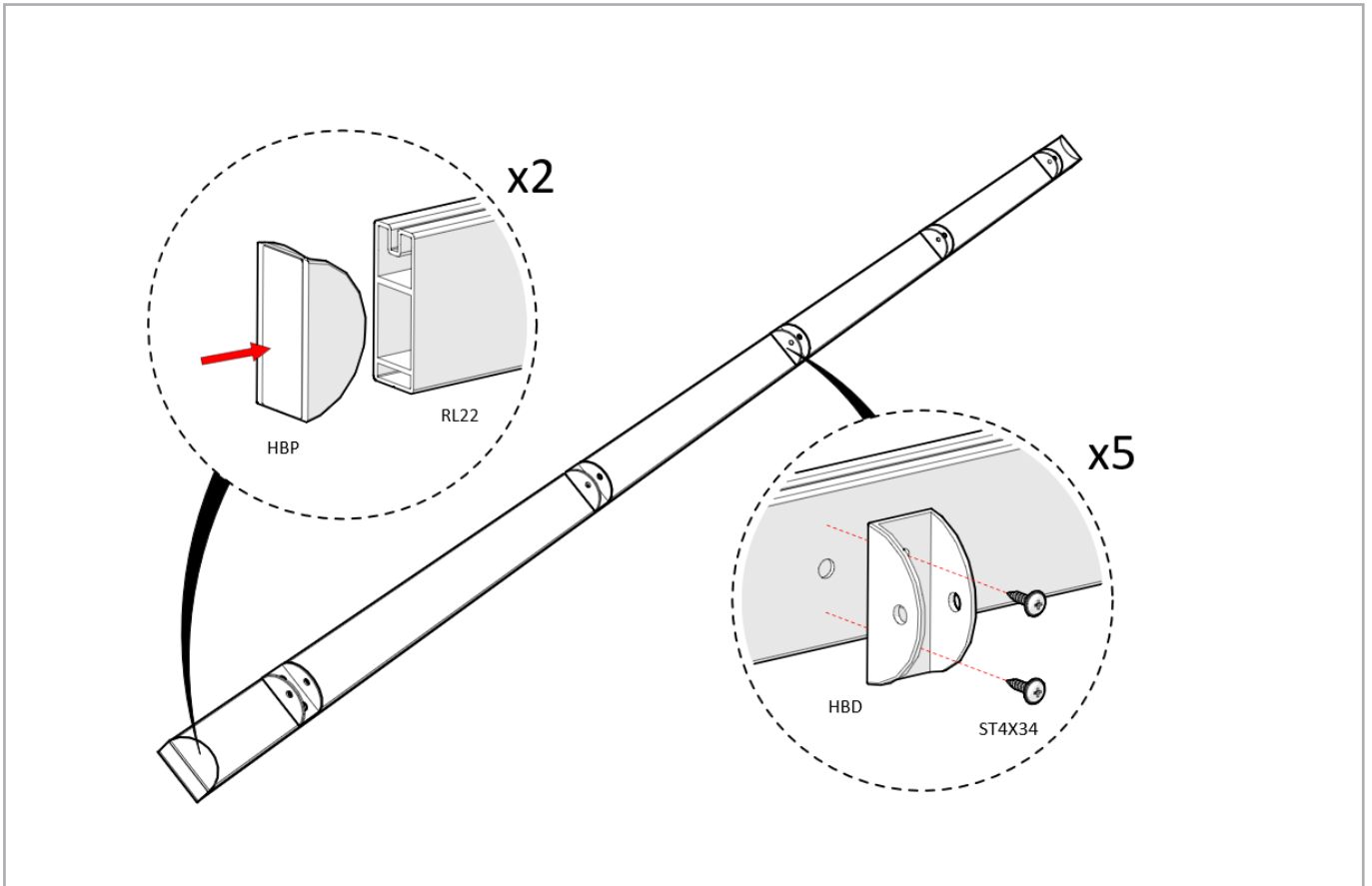


US23

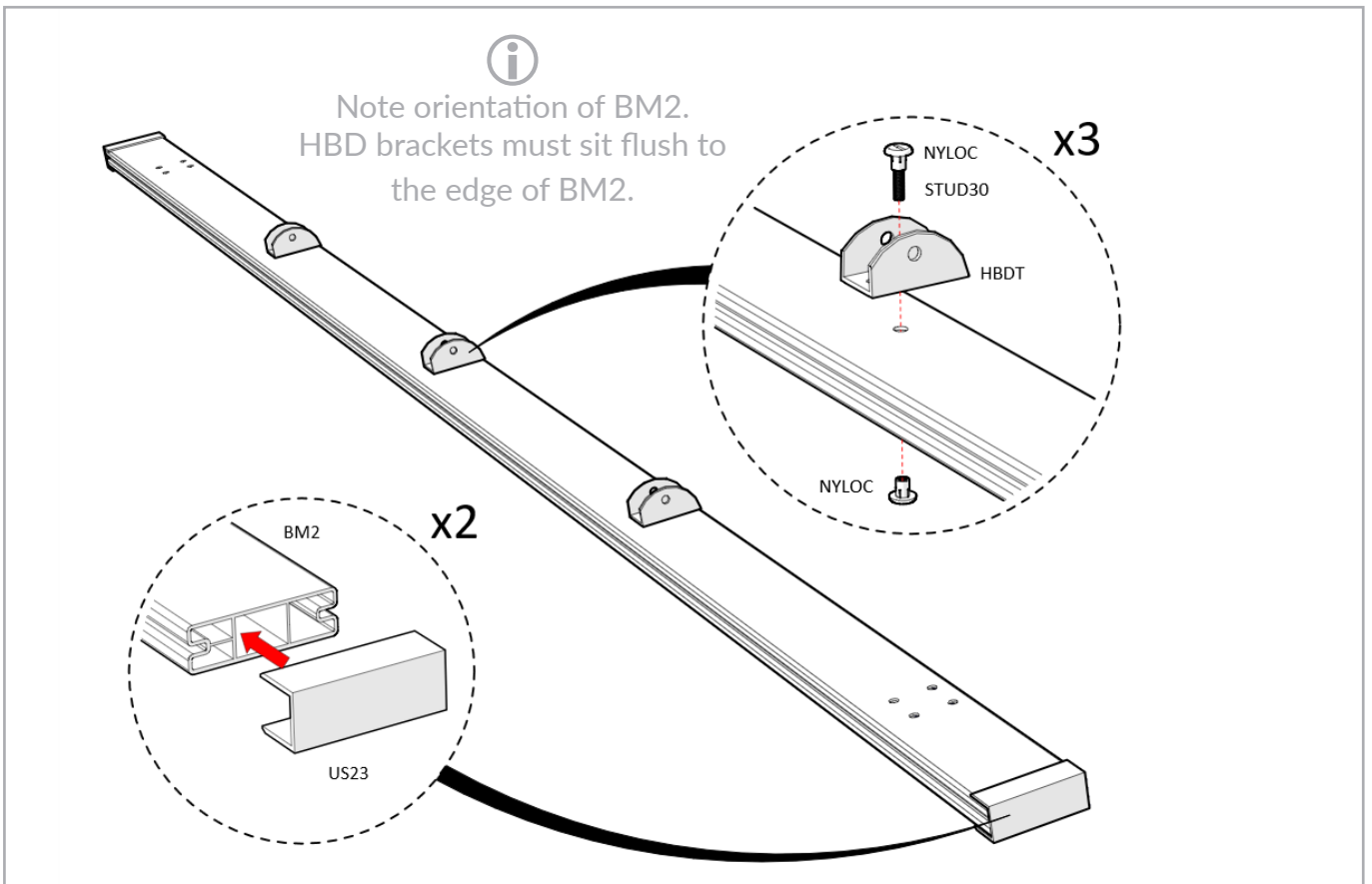
Hardware



Step 1 - Fix HBD and HBP brackets to RL22



Step 2 - Fix HBDT and US23 to BM2



Step 3 - Fix RL22 assembly to wall

i

Offer RL22 to the wall and measure from ground to underside of beam. Align horizontally using a spirit level and mark the holes through the HBD brackets. Drill 5 holes using $\text{\O}6\text{mm}$ masonry drill bit. Fix to wall using provided fixings as shown. (If fixing into timber, use appropriate fixings - not provided)

Model	MIN	OPTIMUM	MAX
2.0m Leg	2135	2210	2285
2.5m Leg	2635	2710	2785

Unless otherwise stated all dimensions in mm

Step 4 - Attach feet to PST, then attach to BM2 assembly

x8

NYLOC

STUD30

NYLOC

BM2

x4

CP6

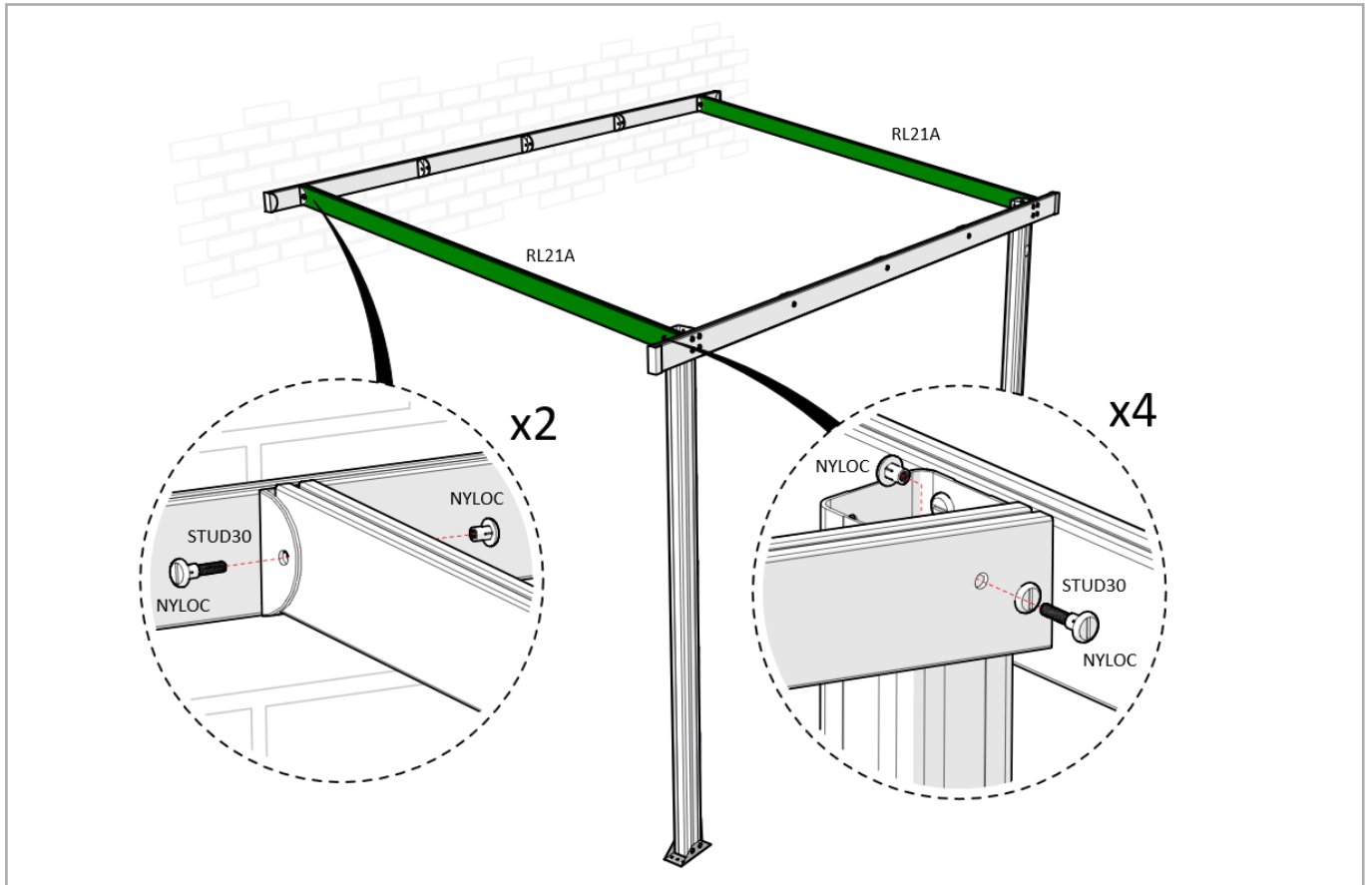
CBM6X80

A (SEE TABLE)

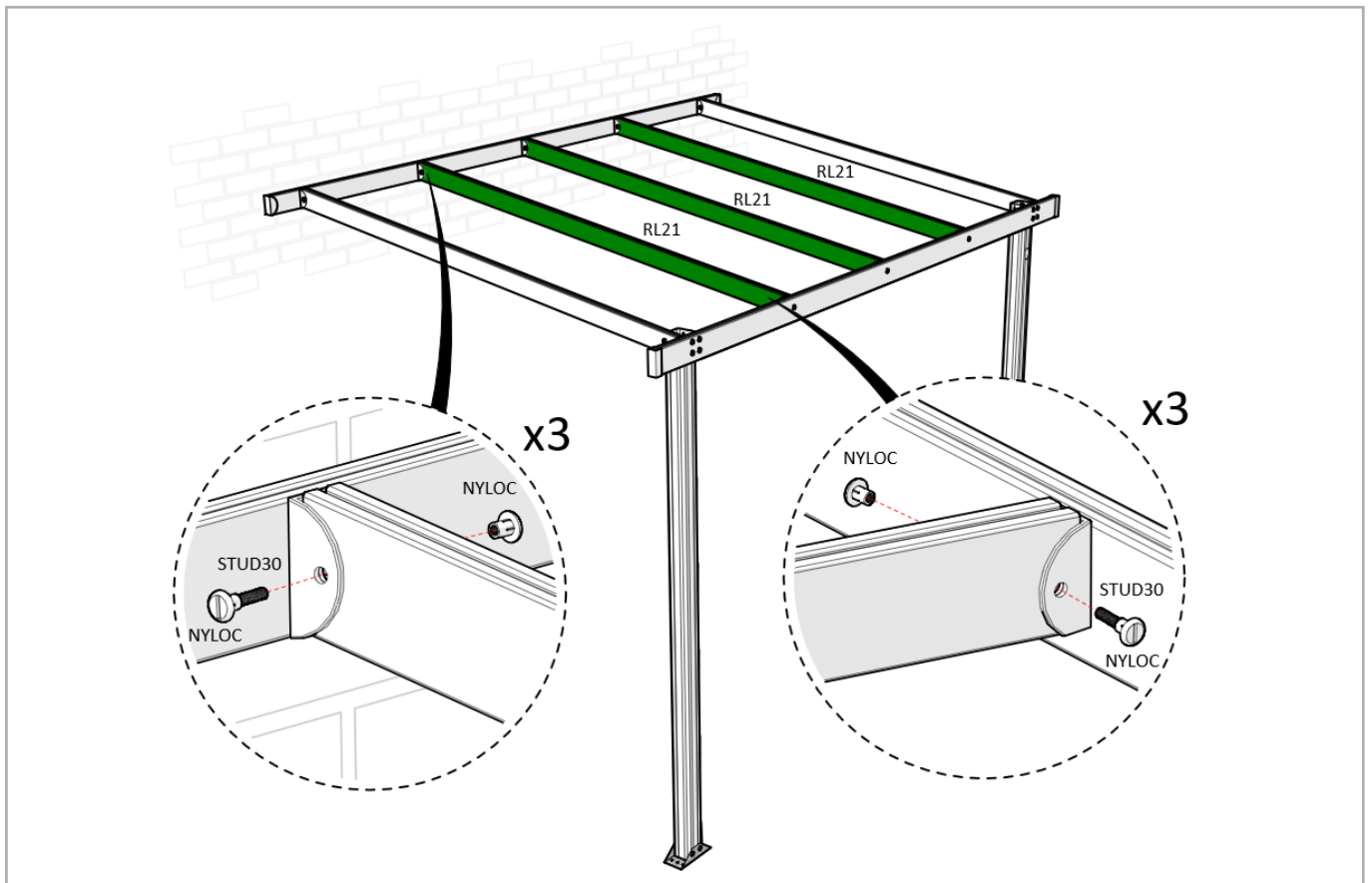
B (SEE TABLE)

Model	A	B
2.0m Leg	PST1	PST2
2.5m Leg	PST3	PST3-A

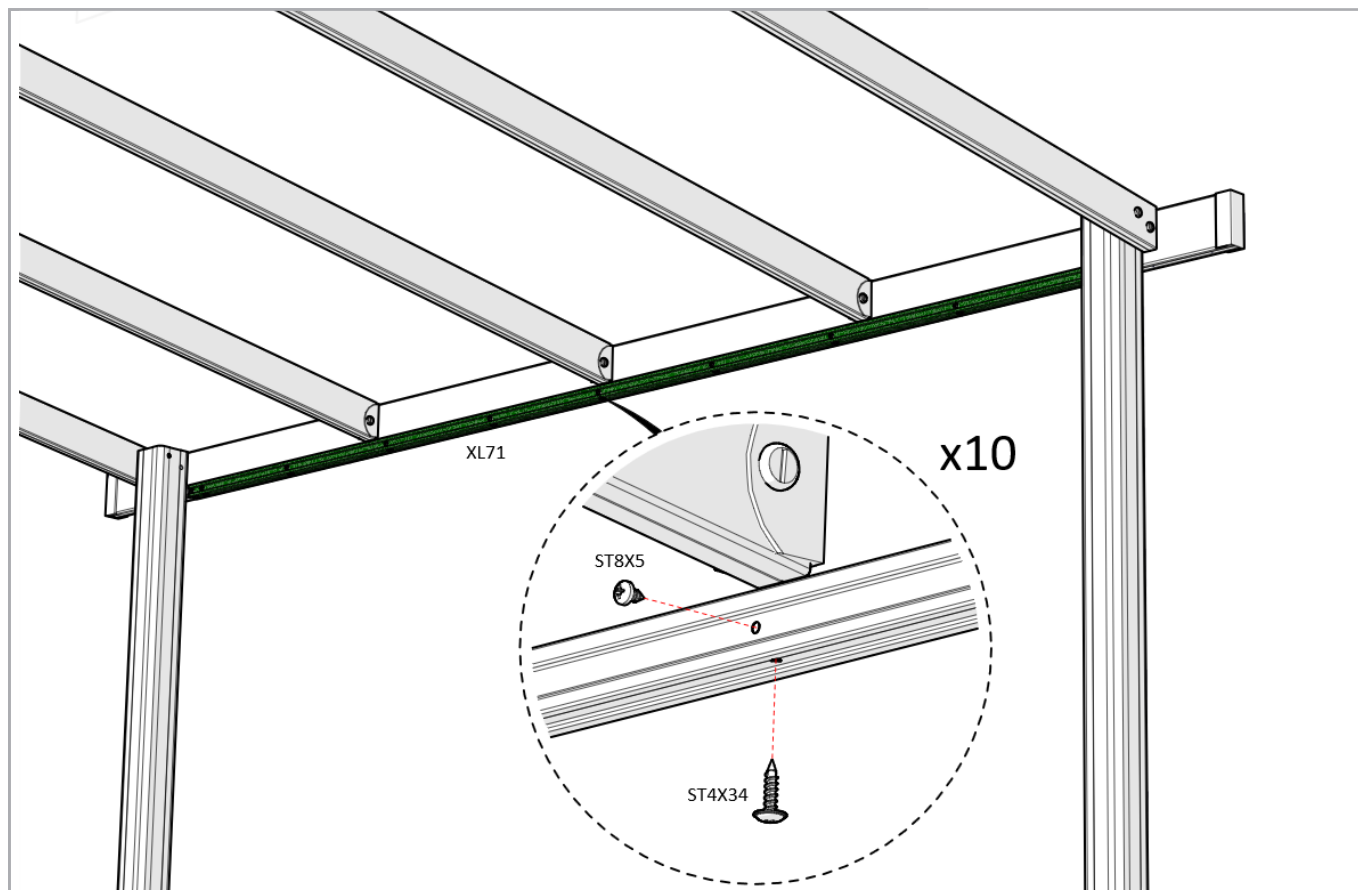
Step 5 - Fix RL21A between front assembly and wall assembly.



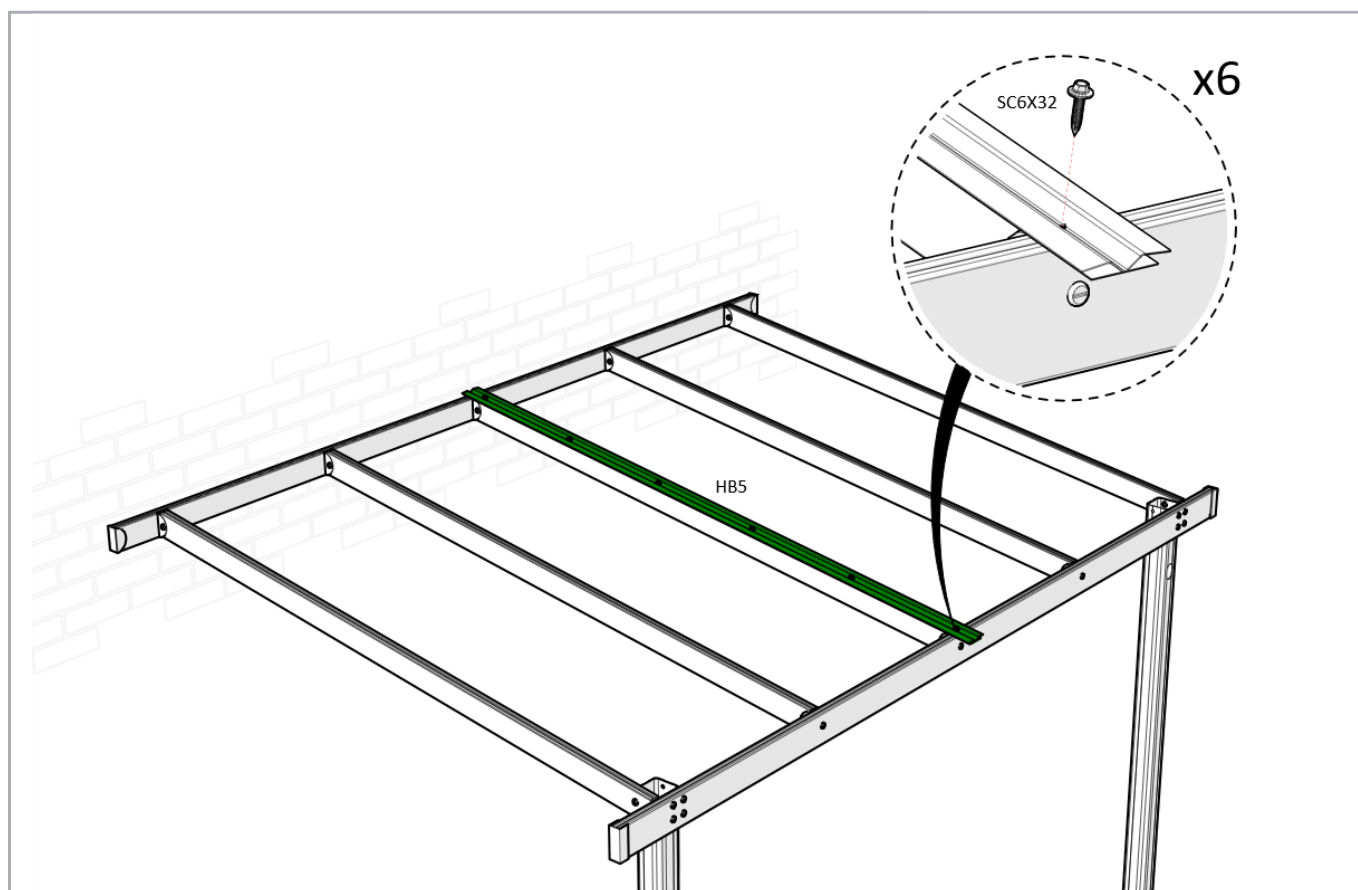
Step 6 - Attach RL21 between front assembly and wall assembly



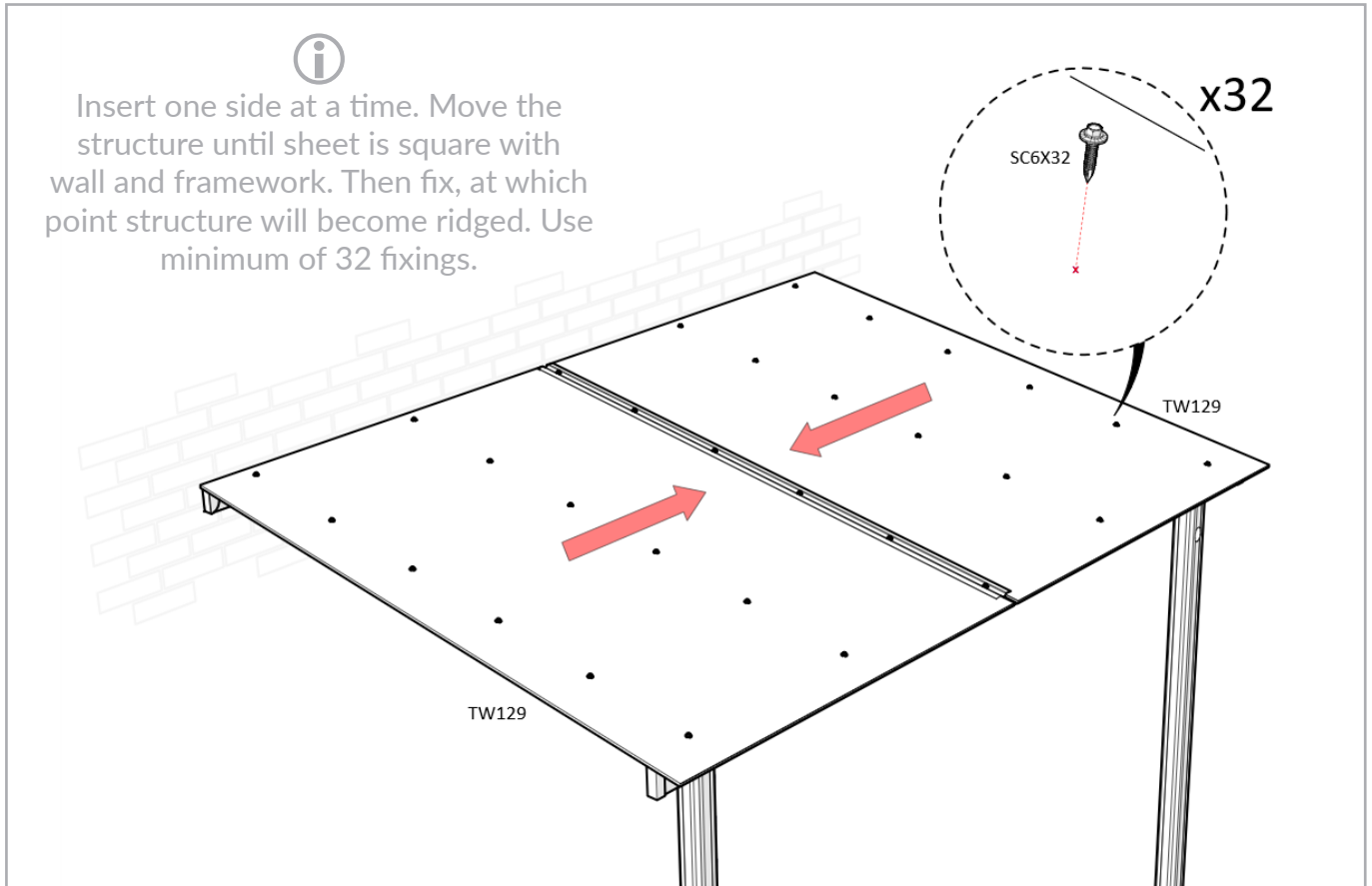
Step 7 - Fix XL71 to underside of BM2



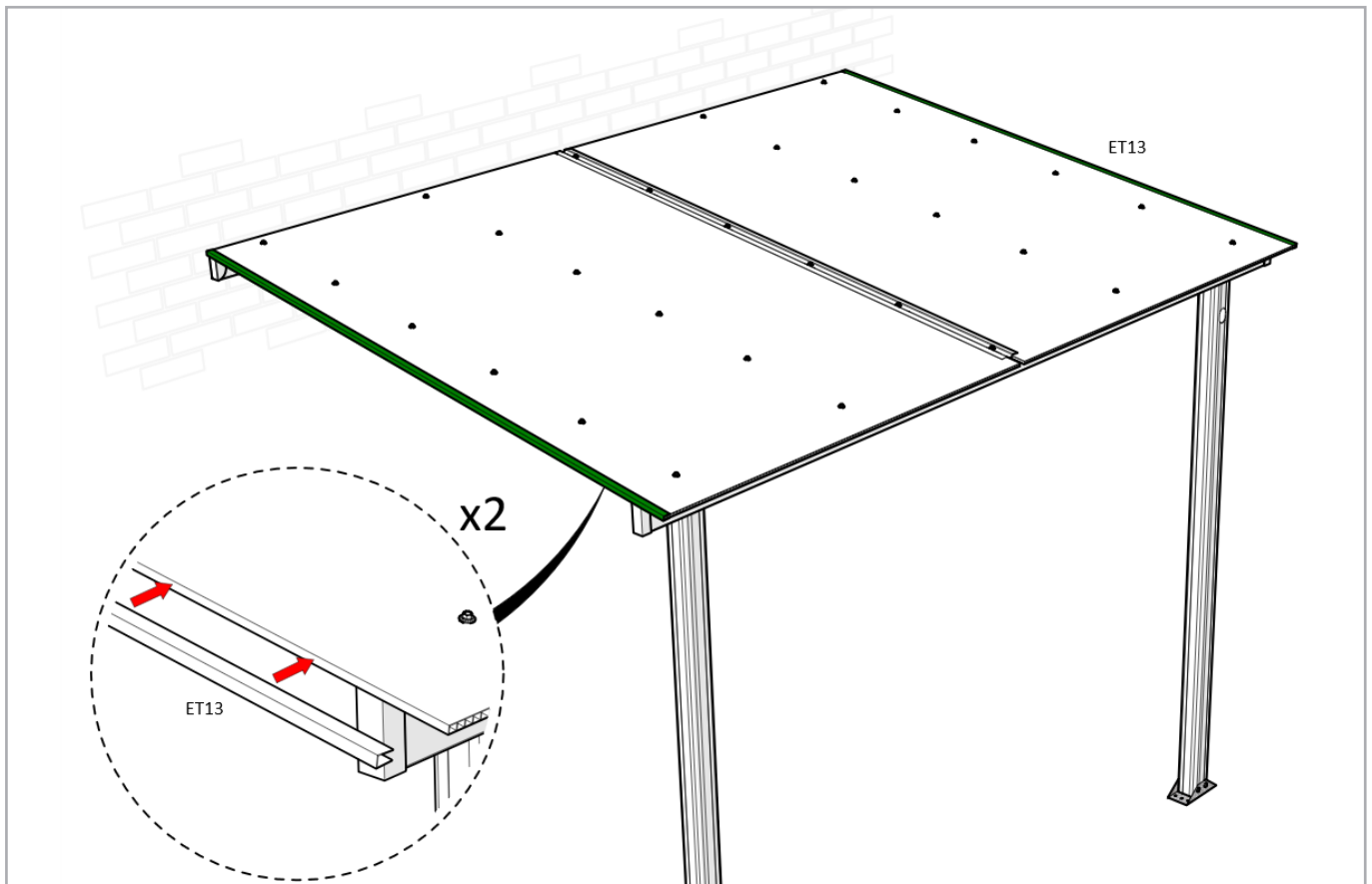
Step 8 - Align HB5 centrally along RL21 and tight against wall at end



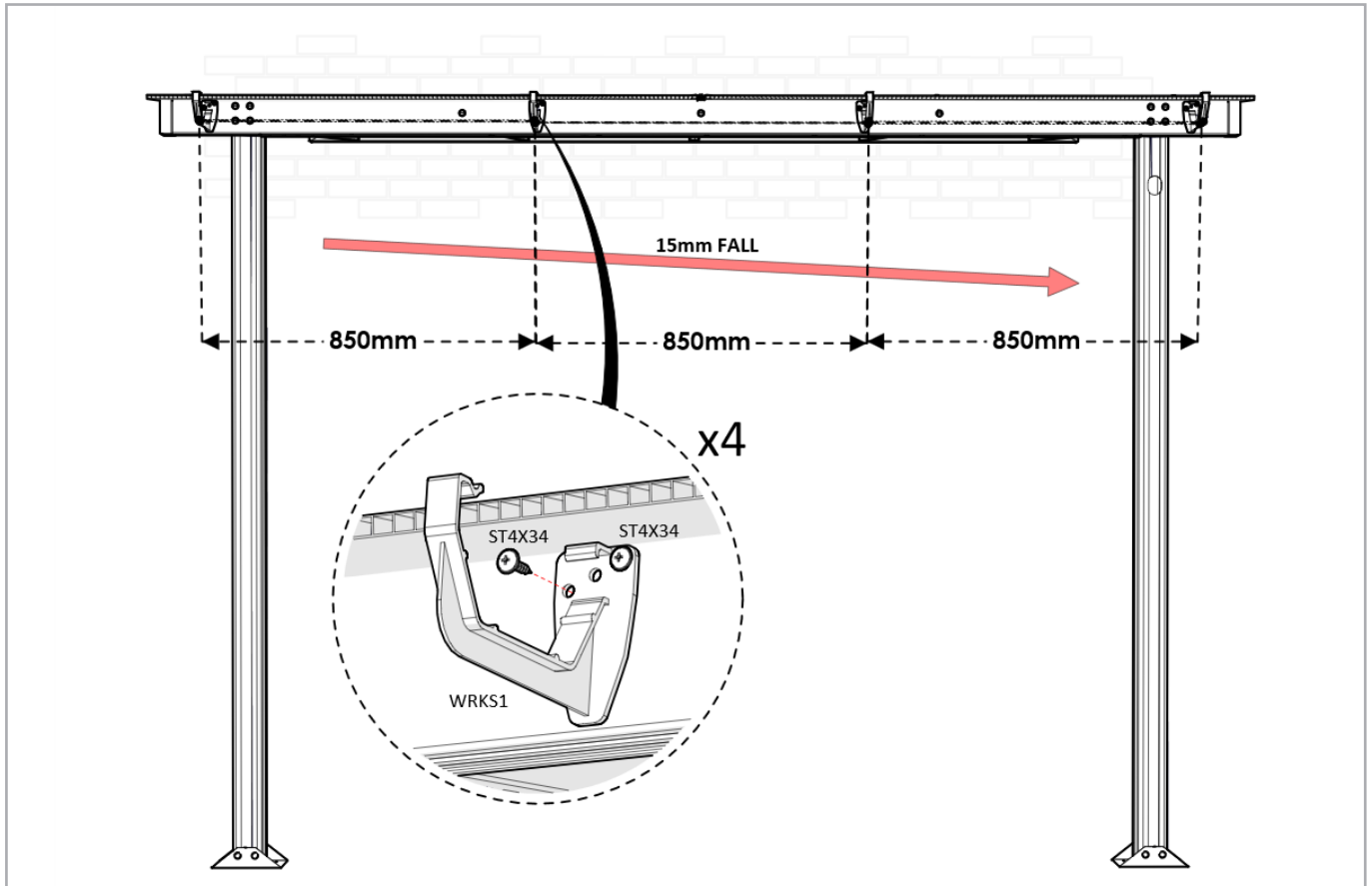
Step9 - Insert roof sheet into each side of HB5 and fix as shown



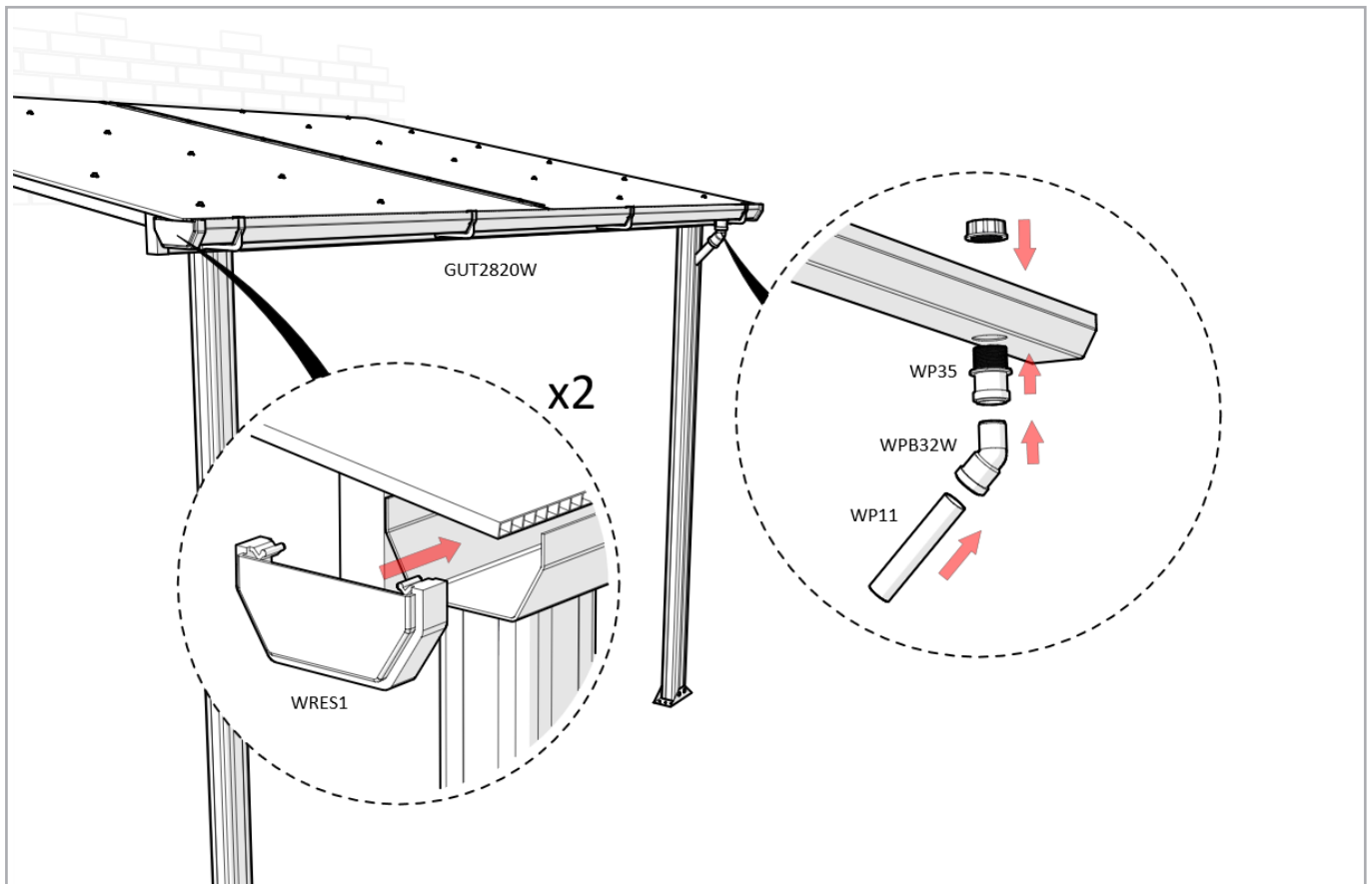
Step 10 - Push fit ET13 to the side of TW129



Step 11 - Attach gutter brackets to front of BM2

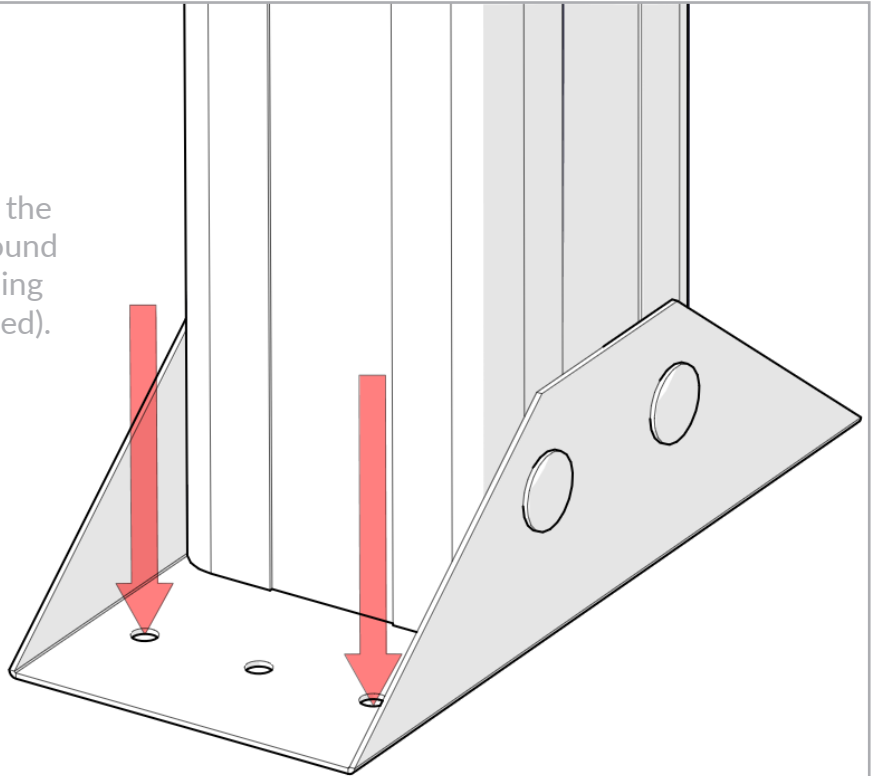


Step 12 - Insert gutter, then connect waste-pipe and end caps



Step 13 - Anchor feet to the ground

Use spirit level to align legs in the upright position. Fix to the ground through holes in steel foot using appropriate fixings (not supplied).





Norfolk Greenhouses

1 Vincent Avenue
Crownhill Industry
Milton Keynes
MK8 0AB

Tel: 020 3011 2040

E-mail: info@norfolk-greenhouses.co.uk