

Technical Guide N

Timber Curtain Wall



Timber Curtain Wall

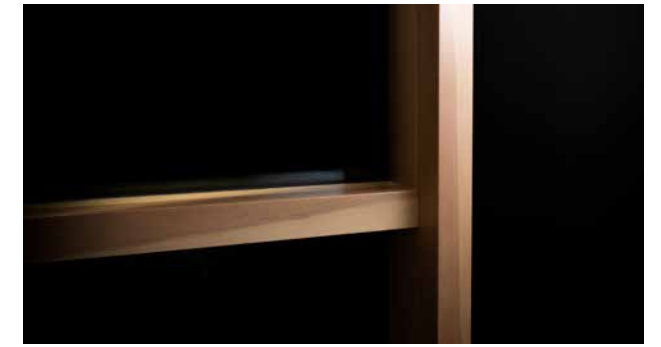
Loewen is known as the leader and innovator in contemporary fenestration products and we're pleased to introduce a new pinnacle—the Loewen Timber Curtain Wall system. This new product offering embodies the spirit of contemporary architecture with capabilities to provide expansive glass assemblies, minimal profiles, increased viewing area, and cleaner sightlines—all without sacrificing performance.

Loewen has partnered with RAICO Bautechnik GmbH out of Germany to manufacture and distribute a timber curtain wall system specifically for the premium residential and light commercial markets. Our timber frame curtain wall combines the interior warmth of wood with steadfast performance and beautiful expansive views.



Custom Features Integrated Seamlessly

Custom units are created for every project from your architectural specifications. All units are factory prepped, predrilled, marked and labeled before disassembly, to ensure accurate and easy field assembly and glazing.



FEATURES

2" (50 mm) wide Curtain Wall System

Thermally broken, engineered system with all-wood interior

Configurations include vertical walls, rakeheads, corners and integrated operable units (Casements, Awnings, Terrace and French Doors, and Sliding Doors)

Monolithic, dual, and triple-glazed options in a variety of LowE coatings that align with other Loewen products

Exterior covers in extruded aluminum, Douglas Fir, or Honduran Mahogany

Factory prepped and configured mullion system for optimal quality and installation

Glass & Glazing

- A wide variety of glazing options available including triple glazed.
- LowE Double, LowE Triple.

SIZING

System Height Up to 20' in a continuous, single span (longer lengths up to 30' subject to review)

System Width Unlimited

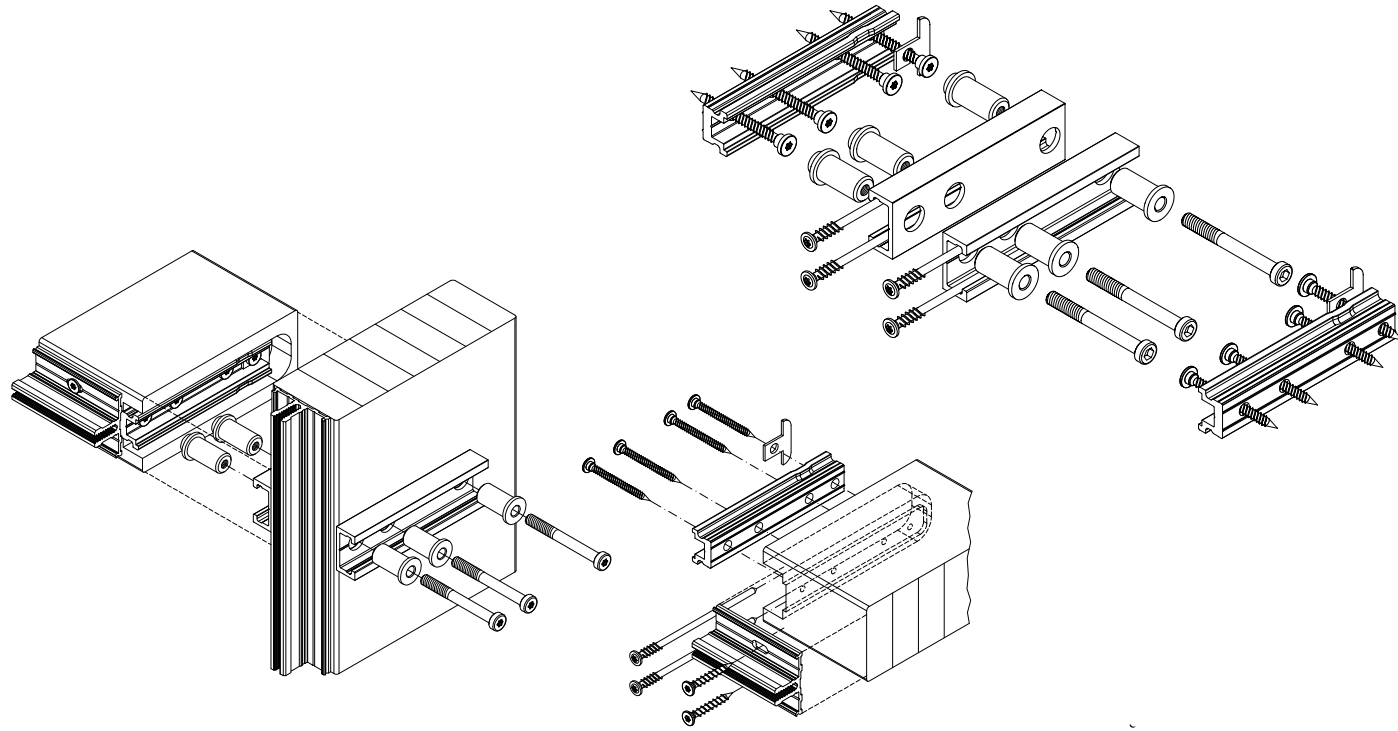
Max Lite Area Varies by glass specification (lite thickness, annealed or tempered, etc.)

Timber Depth Varies based on wind load/structural criteria, typically 3" to 9"

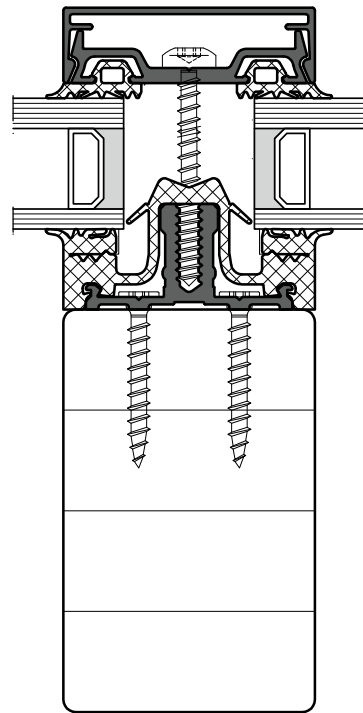
System Thickness 2" (50 mm) exterior, 2-1/8" (54 mm) interior

Timber Curtain Wall Detail

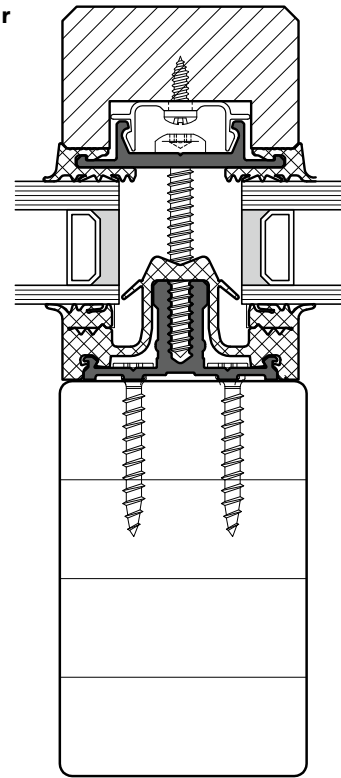
Timber Connector System



Metal Clad Exterior

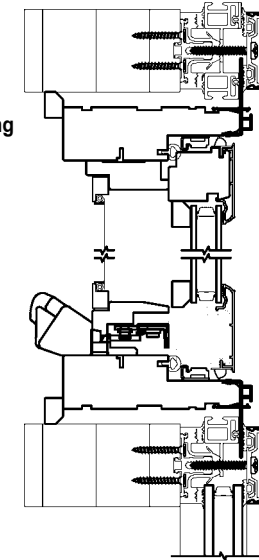


Wood Clad Exterior



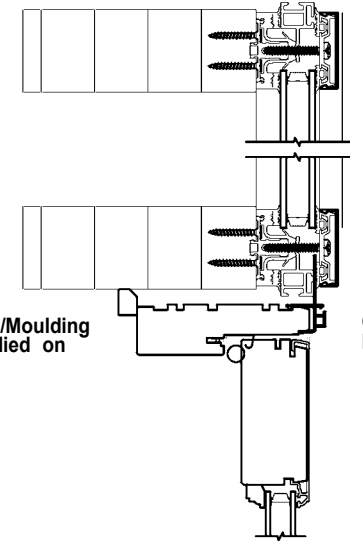
Timber Curtain Wall Detail

Interior Trim/Moulding options applied on site



Contemporary Frame Cladding

Interior Trim/Moulding options applied on site



Contemporary Frame Cladding

Plan View

