



New Season New Stoves

Cleanburn

High-performance heating
with an eco-friendly outlook - certified for lower emissions



Contents

Environmentally Better

Fresh air is a very precious commodity. Approved under the Clean Air Act, Cleanburn stoves feature technology to keep carbon emissions at a record-breaking low. And it's not just the environment you're saving.

Economically Better

You could also save a bundle on fuel. Efficiency levels on these stoves range from 73.4% to 78.9% - which adds up to smaller fuel bills. A bundle of logs or smokeless fuel will provide more warmth, for longer, than it would in an alternative stove.

Everyway Better

Whether you choose Cleanburn for the money-saving potential or the cleaner chimney, it's not just your family who benefits. Your home is reducing emissions and contributing to a cleaner future. And doesn't that give you a warm glow?



Environmentally Better	00
DEFRA and Norwegian Standard	02
NEW Sønderskoven Inset	04
Skagen	06
Løvenholm	08 - 12
Nørreskoven Mk2	14 - 18
Sønderskoven	20 - 24
Tripleburn® technology	26-27
Options	28-29
FAQs	30 - 31
Cleanburn technical key	32 - 33
Technical specifications	34 - 38



Cleanburn Stoves strongly recommend that the suitability of any installation should firstly be agreed with a HETAS qualified installer or similarly competent professional, to ensure compliance with the recent changes to the Building Regulations. Cleanburn Stoves will not be held responsible for any losses, however arising, from inappropriate installations by unqualified or non-competent installers. An inappropriate installation may also invalidate claims made under a manufacturer's warranty or guarantee.

NB. All images in this catalogue are for illustrative purposes only.



A clean sweep

Great performance doesn't always go hand-in-hand with great credentials. In these days of rising environmental standards, many stoves are failing on emissions tests. Cleanburn doesn't. In every test our stoves outperform expectations, combining high outputs with fabulous emission figures. If you want to reduce your carbon impact, Cleanburn is the clear choice.

DEFRA Clean Air Act Approved



Løvenholm*, Nørreskoven Mk2,
Sønderskoven Inset & Skegan

Approved for Smoke Control Areas

If you live in a designated Smoke Control Area, the Clean Air Act prevents you from emitting smoke from your chimney – with offenders facing a fine of up to £1000. This means you're usually only able to burn authorised smokeless fuel.

However, our fires are not like ordinary stoves. They smoke so little that DEFRA has declared them both exempt from the Clean Air regulations.

This means you can use the above fires to burn wood logs, even if you live in a Smoke Control Area. The built-in technology ensures that emissions are consistently low. We're delighted to have met the stringent demands of the Department for the Environment, Food & Rural Affairs. And, especially if you're in a Smoke Control Area, you'll be equally delighted with the results.

Norwegian Standard (NS)

Løvenholm

The Norwegian Standard is probably the most stringent emissions standard in the world – and the Løvenholm is one of the few stoves in Britain to meet it.

The issuing organisation, Standards Norway, works with bodies like ISO to draft new standards that challenge manufacturers to improve quality and safety. Independent tests at a laboratory in Aarhus, Denmark. We're delighted to report that the Løvenholm passed with flying colours.

To meet the standard, we've spent years investing heavily in research and development. Our quality control is second-to-none. This means that every Løvenholm will perform as beautifully as the one we sent to Denmark. It's a simple idea. Raise your expectations, and others will follow.

CAN YOU TRUST A TEST?

In the UK, testing requirements are such that a stove can be tested for output before being altered to suit the emissions test. This means that test figures for some stoves can be misleading. But Cleanburn stoves are sent for both tests at once, guaranteeing that your stove will perform on both counts.



Sønderskoven Inset

High impact, low profile

So you want to reduce emissions and stay cosy without resorting to goats' hair slippers? Here's our answer for style-conscious carbon-savers. The Sønderskoven blends a clean Scandinavian look with fantastically low emissions.

This gorgeous new inset stove is designed for fireplaces where a low profile is required. Just take a look at these figures – all approved and certified. It features Cleanburn technology for a record-beating performance. The result is a stylish inset stove that's easy on the budget and the environment. Reducing your carbon footprint has never been more chic.

Output:

Heat Output Range • 5kW - 8kW



New Model

(R) Sønderskoven Inset double door with stainless steel handle set. (L) Single door option also available



Sønderskoven inset stove is DEFRA approved.



Skagen Traditional

Fully-featured family stove

We're delighted to unveil the Skagen Traditional – with an innovative airflow panel that puts instant control at your fingertips. The airflow control panel has ease of access and use, adjusting the airflow enables you to set this stove to burn softly (while you take a walk) or furiously (when you come in from the cold) – and for a stove this size, the Skagen's output is exceptional. It can maintain an output of between 6 and 9kW, utilising TripleBurn Plus® to maximise fuel efficiency. Choose between wood or another approved solid fuel, allowing you to optimise your heating system.

Output:

Heat Output Range • 6kW - 9kW



Skagen Traditional Single door



Skagen Traditional
stove is DEFRA
approved.



Løvenholm Traditional

An updated classic

Traditional style meets the highest environmental standards: the Løvenholm Traditional is the perfect blend of old and new. The charming footed style brings a touch of nostalgia – and a hearty roar of heat – to any setting.

Naturally, the Løvenholm features all our best design features. Built to burn wood or smokeless fuel, it's easy to riddle, with a stay-clean glass front that resists carbon deposits. Its remarkably low emissions have given it the coveted seal of approval from DEFRA: this workhorse benefits the environment. What more excuse do you need? Toss on some seasoned logs, and relish the old-fashioned charm of this future favourite.

Output:

Heat Output Range • 3kW - 5kW

Nominal Output • 4.6kW (No Air Brick required)*



Løvenholm Single door

* Please see page 33 for details



Løvenholm Stoves are
DEFRA approved.



Løvenholm Traditional Stoves are DEFRA approved. Can be installed on a 12mm hearth.

Løvenholm Traditional

Our best performance yet

Our engineers love a challenge. So when they'd designed, built, and tested this new model, they decided that British standards weren't high enough. And they despatched the Løvenholm to Denmark, where environmental standards are famously strict.

Their confidence certainly wasn't misplaced. The Løvenholm is one of the few stoves in Britain to pass the Norwegian Standard. It blends high output with exceptionally low emissions – good news for our engineers, and for our customers.

You can read more about the testing process on pages 2-3.

Output:

Heat Output Range • 3kW - 5kW

Nominal Output • 4.6kW (No Air Brick required)*

* Please see page 33 for details



Løvenholm Double door



Løvenholm Stoves are
DEFRA approved.



Løvenholm Traditional Stoves are DEFRA approved. Can be installed on a 12mm hearth.

Løvenholm European

Contemporary continental style

With credentials that meet Europe's strictest eco-standards, the Løvenholm European is making an impression all over the continent. The Danish Technological Institute certified its incredibly low emission rate (2.99g/kg), 0.19% Co (En 13240 Test) and DEFRA immediately added its approval.

And though it's designed to provide a clean, environmentally-conscious performance, the Løvenholm European isn't lacking in charm or convenience. Our designers have created a continental look, with seamless legs that house a stylish log-store. The sleek lines and minimalist appeal make it perfect for contemporary homes. But don't mistake it for a merely aesthetic feature: when the nights draw in, the roaring output will attract everyone to the fireside. So throw off those slippers and settle in for the season.

Output:

Heat Output Range • 3kW - 5kW

Nominal Output • 4.6kW (No Air Brick required)*

* Please see page 33 for details



Løvenholm Stoves are
DEFRA approved.



Løvenholm European Stoves are DEFRA approved. Can be installed on a 12mm hearth.

Nørreskoven Mk2 Traditional

A future classic

Are you planning a more classic interior? The Nørreskoven Traditional unites centuries of stove design with future-proof technology.

Though it looks like an old fashioned home-warmer, the Nørreskoven is a beast under the bonnet. This convection stove can be piled high with seasoned logs and, thanks to Tripleburn technology, you'll get the best from them every time: its heat output range is sufficient for family rooms.

The Air wash system keeps excess carbon deposits away from the glass door – so you'll not need to clean daily on hands and knees! How refreshingly modern...

Output:

Heat Output Range • 4kW - 6kW

Nominal Output • 4.4kW (No Air Brick required)*

* Please see page 33 for details



Nørreskoven Mk2
Stoves are DEFRA
approved.



(R) Nørreskoven traditional with single door. (L) Double door option also available

Nørreskoven Mk2 European

A striking centrepiece

Make the Nørreskoven the heart of your living room. You don't need a traditional fireplace or mantel to install this wood-burning convection stove. The European model is an all-in-one unit with a built-in log store.

Nørreskoven European is perfect for modern and minimalist interiors. Its compact footprint and stylishly slender design make it suitable for smaller spaces. With sleek stainless steel fixtures, this stove is designed to be impactful but unobtrusive – letting you shuffle your armchairs just a little closer to enjoy that fiery 6kW output.

Output:

Heat Output Range • 4kW - 6kW

Nominal Output • 4.4kW (No Air Brick required)*



* Please see page 33 for details

Nørreskoven European stand with single door. Double door option also available



Nørreskoven Mk2
Stoves are DEFRA
approved.



Nørreskoven Mk2 European Stoves are DEFRA approved. Can be installed on a 12mm hearth.

Nørreskoven Pedestal

Built to perform

The Nørreskoven is at the pinnacle of eco-technology. Certified under Northern Europe's highest environmental standards, the Nørreskoven is a stove for future-thinkers. Built to burn wood (for the lowest carbon emissions), it incorporates our Tripleburn technology for an efficient performance. Convection sides provide better heat circulation, sending waves of warmth out from the top and sides as well as the front. This landmark stove is available in three styles: Pedestal (pictured), Traditional (p14) or European (p16).

Output:

Heat Output Range • 4kW - 6kW

Nominal Output • 4.4kW (No Air Brick required)*



* Please see page 33 for details



Nørreskoven pedestal with single door option
Double door option also available

Sønderskoven Traditional

Traditional styling

Our super-efficient Sønderskoven is a triumph of modern engineering. But if you want a more vintage look, choose the Traditional. Designed to resemble an old-fashioned stove, it's built with performance in mind.

The Sønderskoven Traditional is designed for warmth but it also caters to family users. With a cool-touch tool, it's simple to use, and the Hot Airwash technology keeps excess carbon deposits away from the glass window. It's the perfect choice for anyone seeking classic good looks and more eco-friendly performance.

Output:

Heat Output Range • 7kW - 10kW



(R) Sønderskoven Traditional double door. (L) Single door option also available



Sønderskoven European

Form and function

The stylish Sønderskoven European is an attractive centrepiece whether it's lit or not. Its built-in wood store can accommodate a generous evening's worth of logs. And Tripleburn technology means you'll get more from each and every one of them.

The log store looks pretty, but it also has a functional purpose: storing logs indoors for a short time before using them ensures a more efficient burn. And the Sønderskoven is a truly efficient model, with a heat output range of 7kW -10kW and 78.9% fuel efficiency. They don't get much hotter than this – in design or performance.

Output:

Heat Output Range • 7kW - 10kW



Sønderskoven European single door .



Sønderskoven Pedestal*

Family magnet

Even where a large fire is necessary, there's no need to compromise on your environmental requirements. With the biggest output of the Cleanburn collection, the Sønderskoven is the ideal choice for large homes and open plan living.

Whether you choose the Pedestal (pictured), Traditional (p20) or European (p22), you'll enjoy the Sønderskoven's dramatic heat output. Independent Danish testing has certified its fuel efficiency of 78.9%. This family-sized stove works so hard, it might make you feel guilty. But don't worry – stretch out and enjoy the flames a little longer..

Output:

Heat Output Range • 7kW - 10kW



*Only available with single door



Sønderskoven Pedestal with single door.

Sønderskoven Stoves are CE approved. Can be installed on a 12mm hearth.

Tripleburn® technology

So how does our famous Tripleburn work? It involves the use of three streams of air to maximise combustion. Air is drawn in beneath the fuel, above the fuel (passing in front of the glass door), and behind the fuel. This hot air improves ignition so that the wood or smokeless fuel is burned more efficiently.

What this efficiency actually means is that you'll get more warmth from your stove – a better performance from less fuel. You can heat your living space for less than other options might cost. It also means that there's less carbon monoxide and hydrocarbon travelling up the chimney – for a cleaner atmosphere. So there's an environmental benefit on top of the economical benefit. Some would call it win-win; we call it Tripleburn.

Optimum woodburning conditions

The Tripleburn® technology improves the ignition of the fuel, with a jet of air directed into the heart of the fire. When the grate is in the closed position, creating a flat base, it allows a deep bed of ash to build up – these are the optimum conditions for burning wood.

Optimum solid fuel burning conditions

When burning smokeless fuel, the grate is moved to the open position by a single turn of the handle. Air is then directed under the open grate and into the heart of the fire, ensuring a clean, efficient burn.

Independently CE tested and approved

All the stoves in the Cleanburn range meet the stringent CE approval test requirements

Designed for and tested under the independent testing standards.

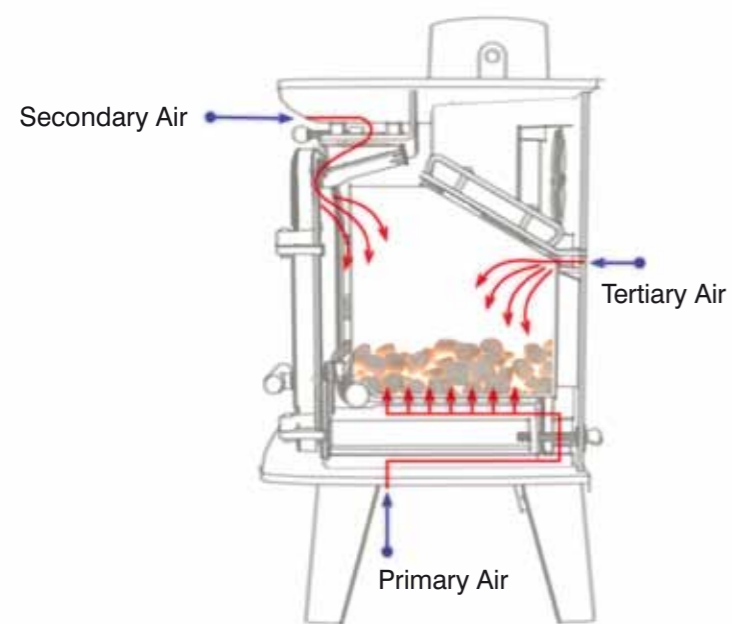
- Tripleburn® technology
- Exceptionally hot air wash
- Dust free, safe and easy riddling
- Multi-fuel grate system for burning wood or solid fuel

Airwash keeps the glass clean

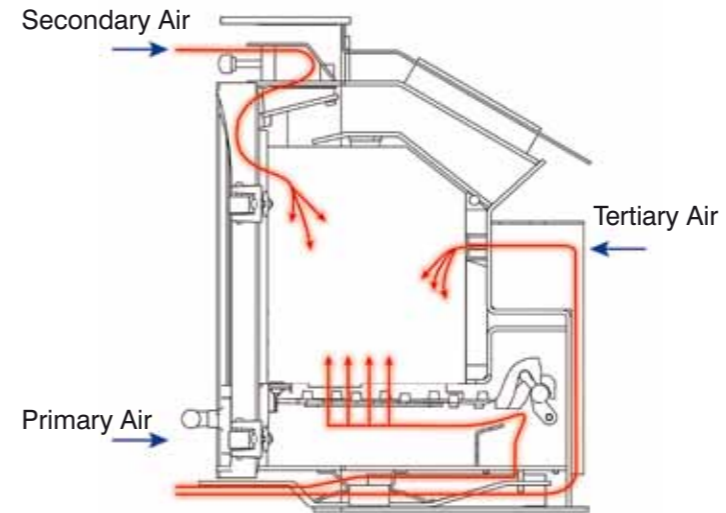
Hot Airwash Technology does the work for you. A secondary air 'wash' maintains a stream of air between fuel and door, reducing the build-up of carbon deposits on the glass.



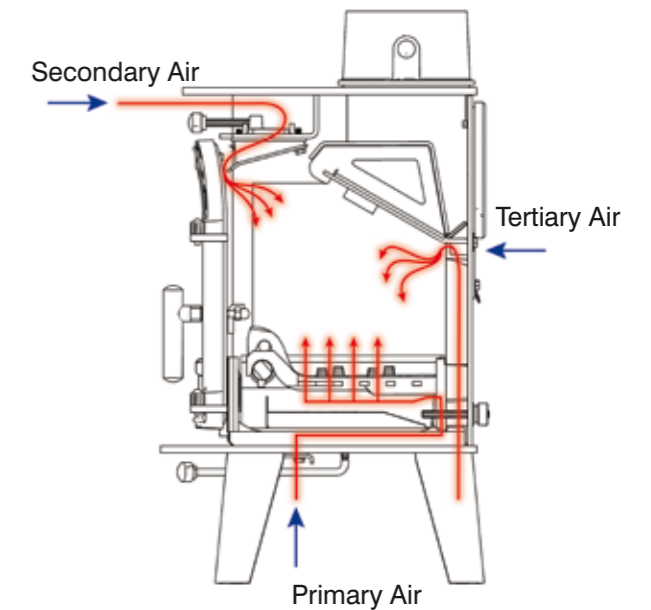
Løvenholm air flow



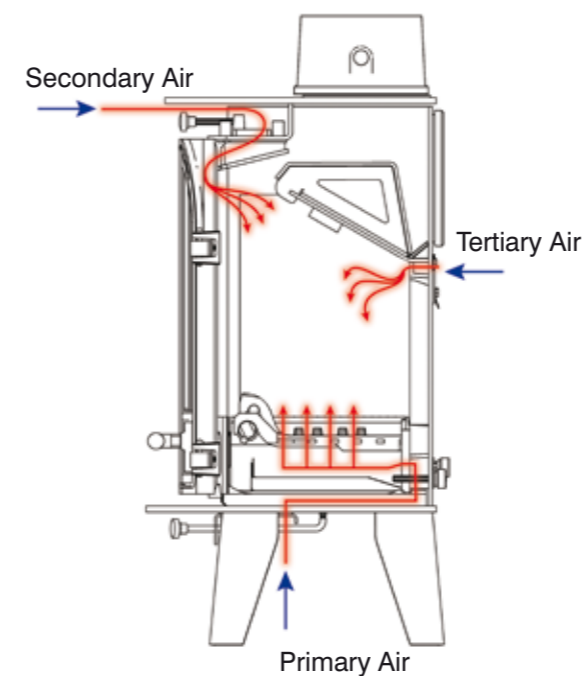
Sønderskoven Inset air flow



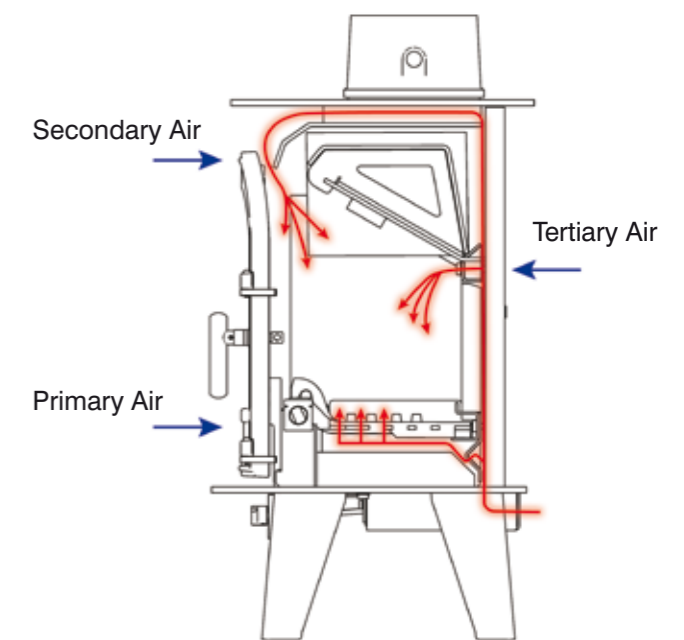
Nørreskoven air flow



Sønderskoven air flow



Skagen air flow



Options

Decisions decisions . . .

Whichever Cleanburn stove you choose, you have a number of options to make it perfect for your interior. Talk to your supplier about the choices available on each stove. Here's an overview of the possibilities:

Finishes*

Every stove is built in 5mm steel, but you can choose the finish you'd like. Image below, left to right:

- **Midnight Black**,
- **Forest Green** (Subtle Green Metallic Tint),
- **Pewter Silver** (Silver Metallic Tint),
- **Cloudy Blue** (Grey-Blue Metallic Tint)

Single Or Double Door?

All models are available with a single door or double door. While the single door option provides a better viewing window, the double door gives a traditional appearance.



Black knob set option



Optional flue damper



Optional flue gather box, for rear flue installations and limited space installations



* Due to printing limitations the colours shown are not necessarily an accurate representation



Front extension *



Left to right, Traditional, European and Pedestal models

* Only available on Løvenholm, Nørreskoven and Sønderskoven

FAQs

WHAT DOES 'CE' MEAN

All appliances marked with the 'CE' mark mean they have been independently tested to meet the requirements of the BS EN13240

DOES CLEANBURN SELL DIRECT TO THE PUBLIC?

No; we have a network of trusted dealers with showrooms throughout the UK and Ireland. To locate your nearest dealer visit our web site at www.cleanburn-stoves.co.uk/

HOW DO I GET MY NEW STOVE INSTALLED?

Installation must be carried out by a Hetas-approved or similarly qualified engineer and must be in accordance with Building Regulations. To investigate the suitability of your chimney, contact your local dealer, who will be pleased to arrange a site visit. This is very important, because the condition of your chimney will determine how well your stove performs; a poor chimney system will affect its efficiency. Any existing flue must be swept and inspected before installation of the stove. All multi-fuel/wood burners must be installed in a class 1 chimney.

WHAT IF I DON'T HAVE A CHIMNEY?

There are many different flue systems available. Please contact your local dealer/ flue installer, who will be able to give you personal advice.

CAN I CONNECT TWO STOVES TO ONE FLUE SYSTEM?

No. All Cleanburn Stoves must be individually flued.

MY STOVE HAS A 6" FLUE COLLAR; CAN I INSTALL IT ON A 5" FLUE?

No. The internal diameter of the flue must be no smaller than the appliance flue collar for its entire length.

DOES MY CHIMNEY NEED LINING?

This is to be decided by your qualified Engineer.

DO I NEED AN AIR BRICK?

Answer – 'Yes, if the output is above 5kw or The Builders permeability rating is low.'

IS DIRECT AIRFLOW AVAILABLE

This option will be available soon.

CAN I SWEEP MY CHIMNEY THROUGH THE STOVE?

Yes – it is possible to sweep the chimney through the stove, if a damper is not fitted

WHAT TYPE OF FUEL CAN I USE?

The quality of fuel will dictate the performance of your Cleanburn Stove.

WOODBURNING

Burn only dry, well seasoned wood. For best results, use dry wood, with a moisture content of less than 20%, which has been cut, split and stacked for at least 12 months. This is advertised as 'seasoned' wood. Burning wet or unseasoned wood will create tar deposits in the stove and chimney and won't produce a satisfactory heat output. Wood burns best on a bed of ash and it is therefore only necessary to remove surplus ash from the stove occasionally.

PEAT

Only to be used in turf or brick form, but the moisture content must be very low.

SOLID FUEL BURNING

Anthracite is an approved natural smokeless fuel (not processed) but can vary greatly in quality and performance. It generally requires excellent air supply to maintain maximum performance and with experience we would suggest that it is used in conjunction with other approved manufactured smokeless fuels as per the HETAS approved list.

Please visit www.hetas.co.uk for an up to date list of approved Manufactured Smokeless Fuels suitable for closed appliances.

Only authorised smokeless fuels may be used in smoke control areas.

Warning! - Petroleum coke fuels or household waste must not be burnt on our appliances. Should any difficulties arise over fuel quality or suitability, consult your approved coal merchant or the Solid Fuel Advisory Service – Telephone 0845 6014406.

WHAT IS A FRONT EXTENSION

Most of the Multi Fuel Cleanburn Stoves have the option of using one of these. It is called, an 'Extension' because it increases the fuel load size within the firebox. Especially helpful for overnight burning. Please see page 25 for image.

WHAT IS THE DIFFERENCE BETWEEN A WOODBURNER AND A MULTI FUEL?

A wood burner can only burn well seasoned logs, and the wood is burnt on the base of the stove. You use a shovel to clean out the ash. A multi fuel stove comes with a grate where you can burn both Smokeless fuel or well seasoned logs. There is an ash pan beneath the grate for easy removal of ash.

CAN I BURN WOOD ON MY MULTI-FUEL GRATE?

Yes. All Cleanburn multi-fuel appliances are capable of burning wood.

WHAT IS A GATHER BOX AND WHEN IS IT NEEDED?

A gather box is for rear flue installations where space is limited. It bolts directly on to the rear of the stove in place of the collar. Please see page 25 for image.

DO I NEED A DAMPER?

If your chimney has an exceptionally good draught, it may be worth fitting a damper. This helps reduce the pull on the chimney and helps keep heat within the firebox which is then transferred into the room. A damper also helps when burning wood over night as it slows the burn rate down and increases the burn time on the wood. However please note one cannot be used if installed in a smokeless zone.

WHAT IS A NOMINAL OUTPUT?

The nominal output is the output achieved under specific test conditions by the test laboratory. This is normally the output at which we achieve the highest efficiency. The stoves tend to be operated with the air controls set at less than maximum and with relatively modest fuel loads. However we recognise that end users are unlikely to operate the stoves in this way and therefore we carry out internal testing to suggest a reasonable Heat Output Range that the customer should achieve without over firing the unit.



HOW MUCH SPACE WILL MY STOVE NEED?

With all our units it is safe to install with a clearance of 2" (50mm) either side, behind and above the stove to NON Combustible material. However for optimum performance and heat output we recommend a clearance of 6" (150mm). To enable adjustment of the tertiary air inlet we recommend a clearance of 4" (100mm) behind the stove. Please note clearances can differ depending on installation, therefore please check the relevant installation manuals for accurate and precise clearance details. These manuals can be found on our website www.cleanburn-stoves.co.uk

For all our units the hearth should extend 300mm in front of the appliance (from the door opening)

All of these clearance specifications are for non combustible materials.

WHAT WARRANTY DO I GET ON MY STOVE?

All Cleanburn Stoves Authorised Dealers provide you with a standard 2 year warranty*. Cleanburn Stoves also come with a 5 year casting warranty*

For full warranty specifications please visit

www.cleanburn-stoves.co.uk

(*Naturally wearing consumables such as glass, bricks, baffles, log retainers etc are excluded from this warranty. **The casting warranty does not cover items such as grate parts etc.)

For a list of authorised stockists please use our dealer locator which can be found on our website

www.cleanburn-stoves.co.uk

Cleanburn technical key



	Sønderskoven Inset	Skagen Room Heater	Løvenholm Room Heater	Nørreskoven Mk2 Convection Room Heater	Sønderskoven Room Heater
Efficiency on wood %	75%	79%	75%	80%	77%
Clean air act approved	✓	✓	✓	✓*	~
Can be installed without an airbrick fitted and with a 5" flue **	~	~	✓	✓	~
Flat Top	✓	✓	✓	✓	✓
Traditional	~	✓	✓	✓	✓
European	~	~	•	•	•
Pedestal	•	~	~	•	•
Double door option	✓	~	✓	✓	✓
Single door option	•	✓	•	•	•
Grate option (riddling grate)	✓	✓	✓	✓	✓
*** non grated model (traditional only)	~	~	•	~	~
Black knob set	•	•	✓	•	•
Stainless steel knob set	✓	✓	•	✓	✓
**** Flue Damper	~	•	•	•	•
Front Extension	✓	✓	•	•	•
Convection sides	✓	✓	~	✓	✓
Coloured finish	•	•	•	•	•
Nominal Output	6kW	6kW	4.6kW	4.4kW	7.4kW
****Ventilation (mm ²)	1045mm ²	550mm ²	0	0	1100mm ²
Log sizes (approx)	200mm - 7 3/4"	190mm - 7 1/2"	300mm - 11 3/4"	300mm - 11 3/4"	420mm - 16 1/2"
Leg Lengths	N/A	190mm - 7"	148mm - 5 3/4"	148mm - 5 3/4"	176mm - 7"

✓ = standard • = option ~ = not available

*  Only the Traditional & European Nørreskoven Models are Defra Approved.

** NB. Dependent on the Builders Air permeability rating.

*** NB. If a grated model is bought it is not possible to convert this to a non grate model. Woodburning versions (without grate) may only be installed on a Constructional Hearth. Only available on the Løvenholm Single Door Traditional Model.

**** Cannot be installed if used in a smokless zone.

NB Ventilation is dependent on the permeability rating of the building.

For further details please visit:

<http://www.planningportal.gov.uk/buildingregulations/approveddocuments/partj/approved> and download the free copy of Document J. Info about the ventilation and air permeability ratings is table 1 on page 29.

Only Free Standing Stoves i.e not fitted in a recess, can be installed on a 12mm hearth.

Efficiency test results are derived from Independent & in house testing.

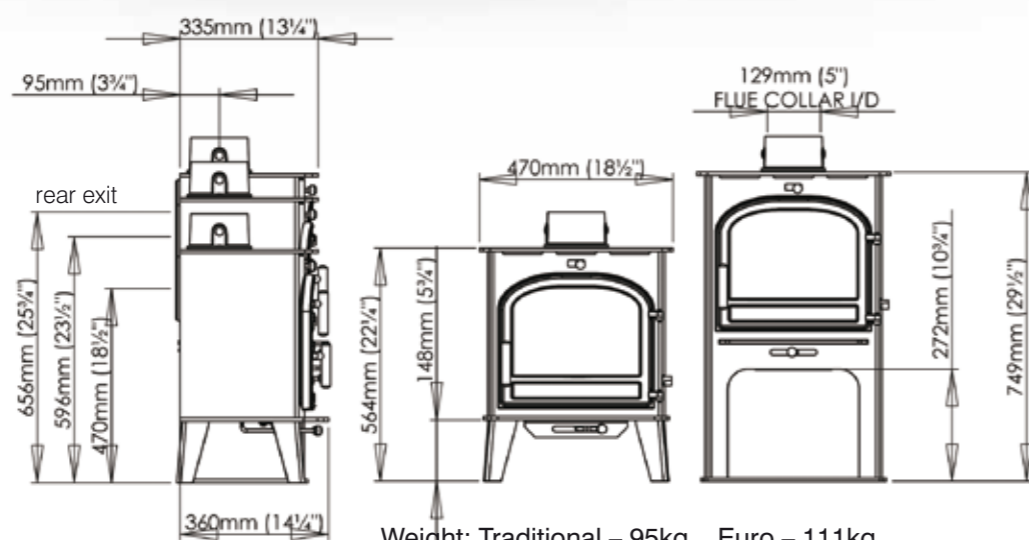
Technical specifications

Measure and customise your stove

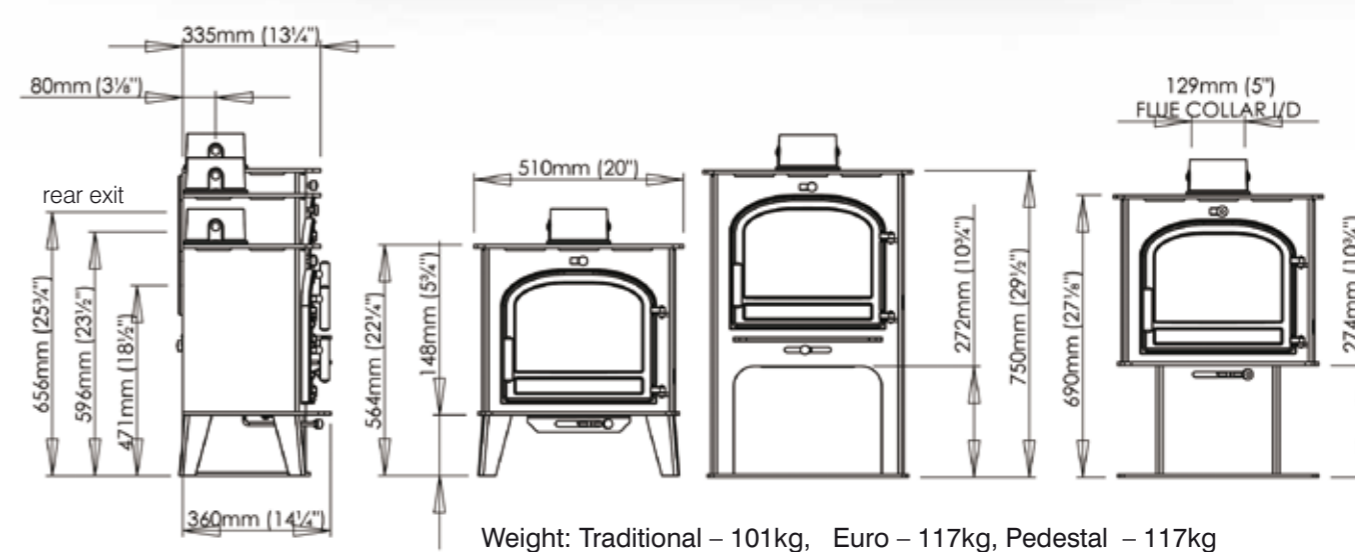
Check the dimensions to see if your favourite stove will fit into the space you have in mind. Next, select your model – the Løvenholm, Nørreskoven and Sønderskoven all come in Traditional, Pedestal or European styles. Traditional is the classic-look stove with short legs; Pedestal is mounted on a column; and the European style features a built-in log store. Now, specify whether you'd like a single or double door. Your stove is built to order at our assembly line in Devon. We look forward to delivering your Cleanburn stove!



Løvenholm

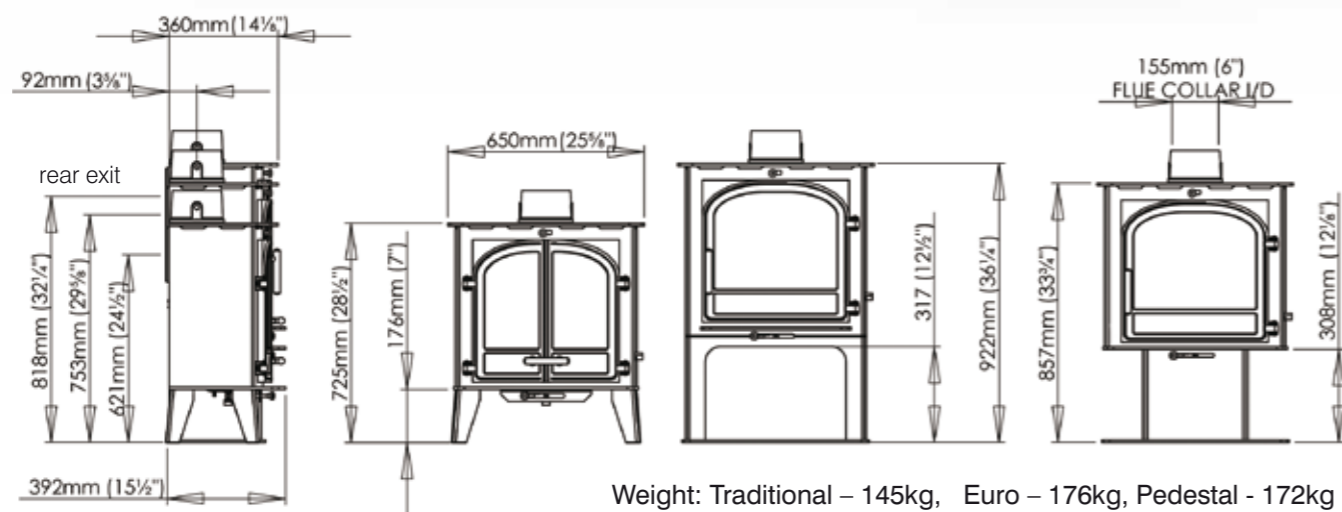


Nørreskoven



Technical specifications

Sønderskoven

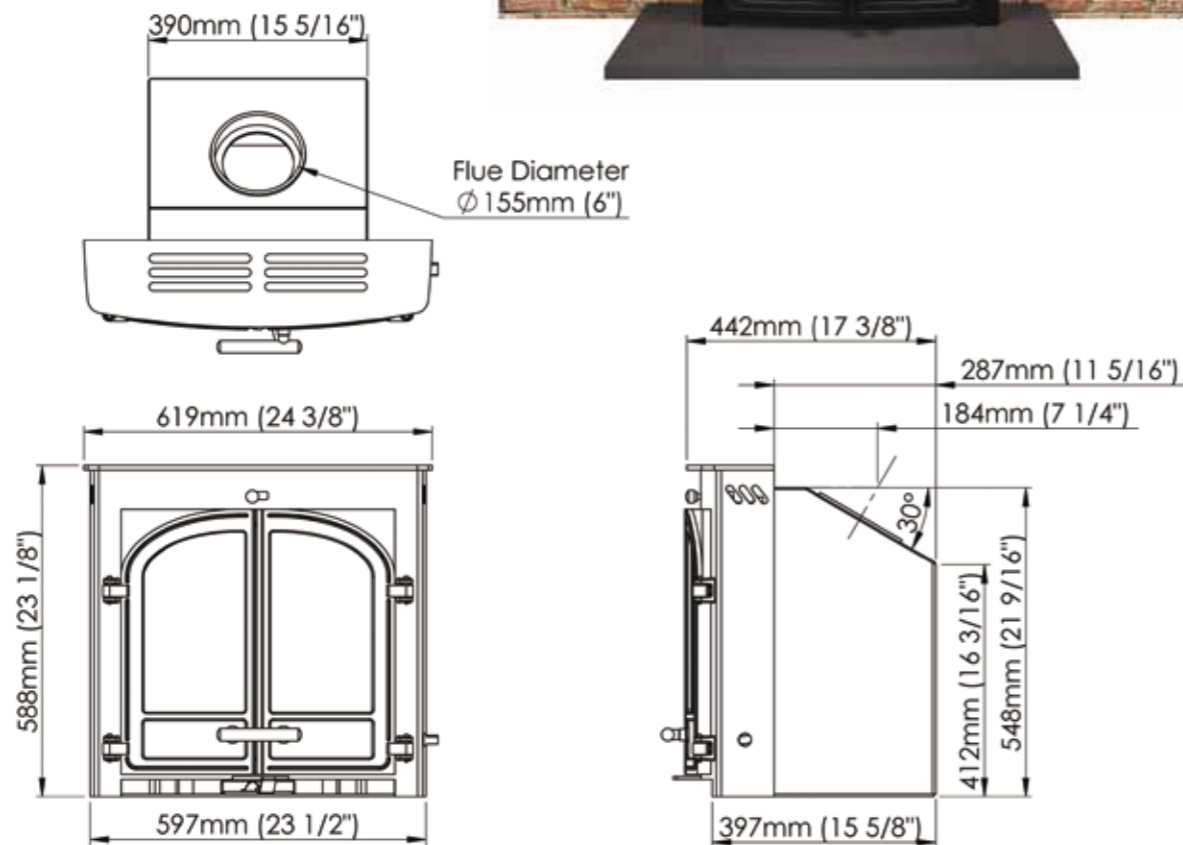


Weight: Traditional - 145kg, Euro - 176kg, Pedestal - 172kg



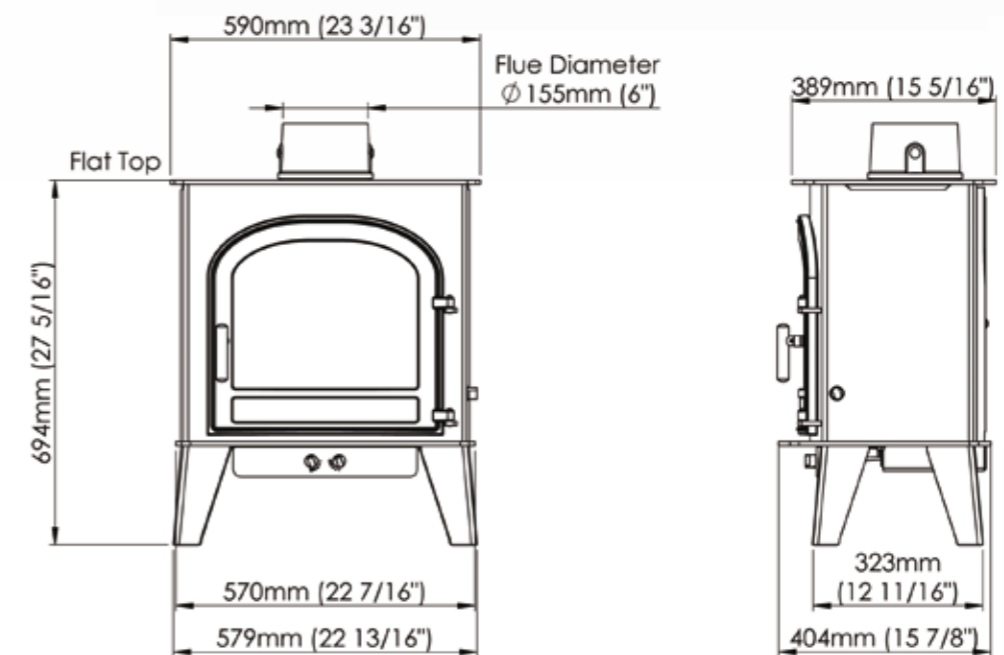
Technical specifications

Sønderskoven Inset



Weight: Inset – 117kg

Skagen



Skagen Stoves are DEFRA approved.

Weight: 125kg



Hunter Superior Choice

From the smallest to the largest, every stove has built-in features that improve its performance.

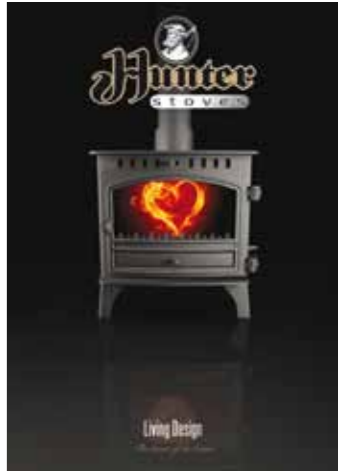
For example, Cleanburn – a system designed to reduce carbon emissions from the stove. When you buy a Hunter stove, you get the full package – and a few extra surprises, too.



Hunter Living Design

Hunter Stoves are built on over 40 years of expertise – and equipped to face the future.

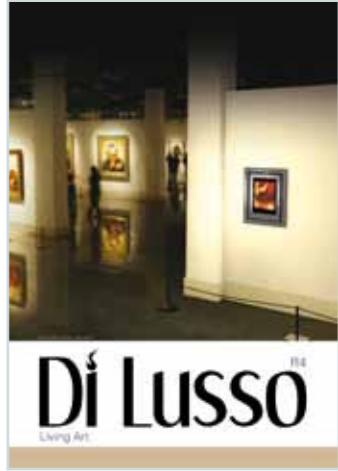
Whichever model you choose, you can now enjoy better performance, more options, and a cleaner future.



Di Lusso

Icona Futuro . . . Designed for designers, the Di Lusso R4 epitomises smooth Italian chic.

It's got the trustworthy performance of a Vespa and the smooth finish of espresso crema. This sleek, flush-to-the-wall stove brings you real flames – in a modern frame.



Eco-Ideal

eco-ideal isn't just a name – it's a statement. We believe that our British landscape is worth protecting. So we designed the eco-ideal range with significantly lower emissions than traditional multi-fuel stoves. Certified by European experts to be exempt from the Clean Air Act, every eco-ideal heater is permissible in Smoke Control areas.



Heat outputs are dependent on fuel load and installation parameters. Performance of units can vary greatly dependent on flue draughts, weather conditions, type of fuel and moisture content etc. Weights are approximate and can vary. Cleanburn has a policy of continuous product improvement and therefore reserves the right to change specifications and designs at any time without prior notice. Cleanburn recommends that the suitability of any installation should firstly be agreed with a HETAS qualified installer, or similarly accredited professional, to ensure compliance with Building Regulations. Cleanburn will not be held responsible for any losses, however arising, from inappropriate installations by unqualified or non-competent installers. An inappropriate installation may also invalidate claims made under the manufacturer's warranty or guarantee.



Your Local Stockist



Cleanburn
Unit 6 Old Mill Industrial Estate
Stoke Canon
Devon EX5 4RJ