

New Solar Titan 130 Turbine Genset

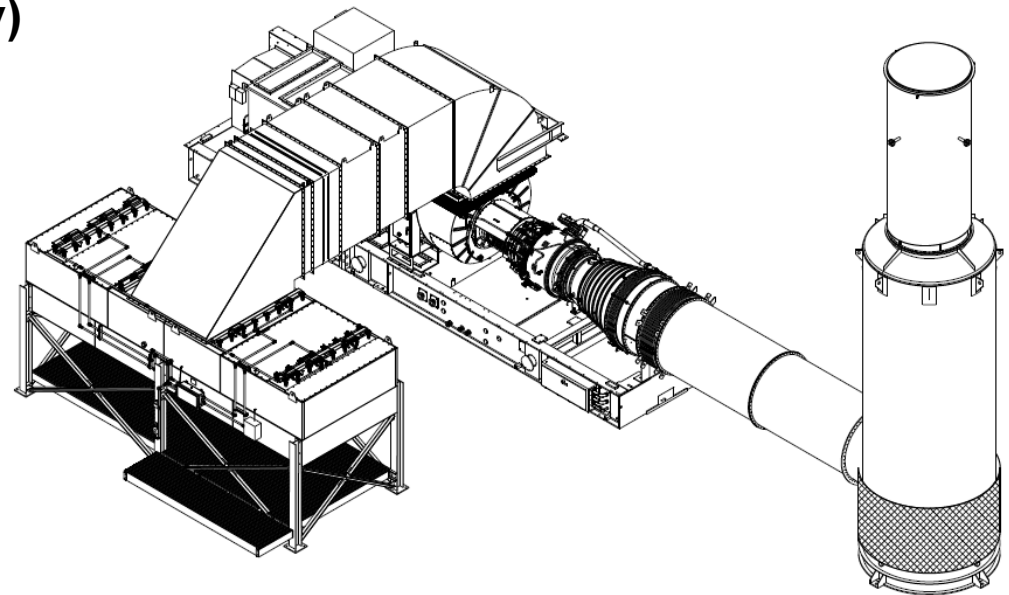


ISO: 15,000 KW 9695 btu/kwh (lhv)



Specifications and Scope

- Mfg by Solar 2012, never installed
- Stored indoors, preserved by Solar
- So-Lo-NOx dry low NOx system
- 60hz ABB gen, air cooled, brushless PMG
- Includes Inlet air filter & silencer
- Includes exhaust silencer & stack
- Includes all drawings & documentation



Contact: Axford Consulting LP 713-828-3038 maxford@axfordconsulting.com