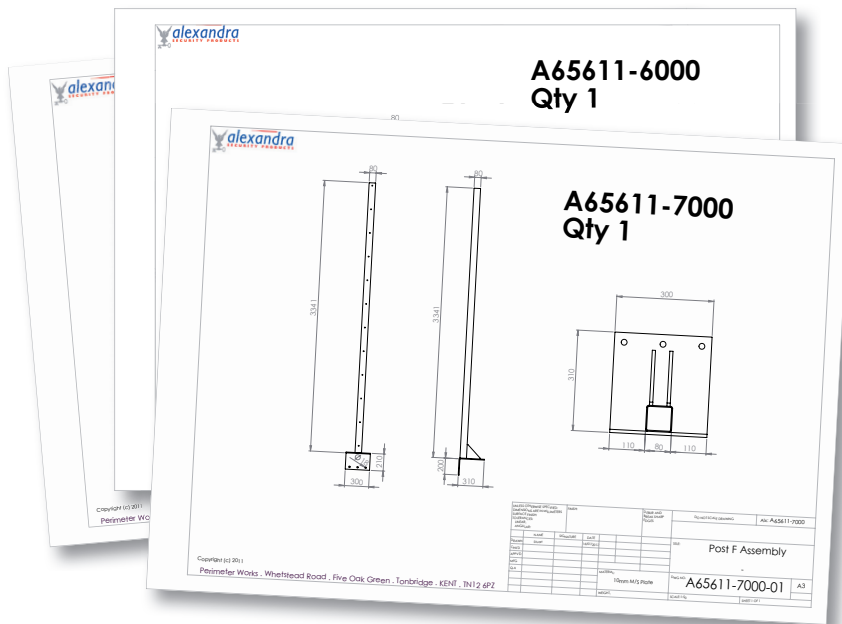
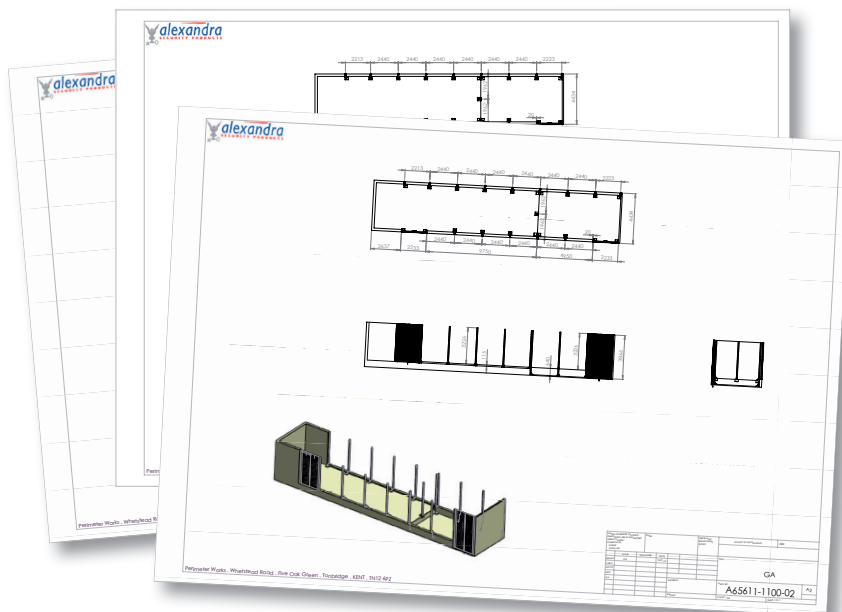


Initial plan supplied by customer



Detailed manufacture drawings drawn in house



Model built in 'Solid Works' from detailed manufacture drawings, for customer approval.



Various photos showing completed project.