



2015/07 Garaventa lift reserves the right to change specifications without prior notice.

Garaventa Lift your ideal partner to create tailored solutions

Authorized Garaventa Partner

Contact us today

Garaventalift AG

Fännring, 2
CH-6403 Küssnacht am Rigi

T +41 (0)41 854 78 80

info@garaventalift.ch
www.garaventaliftgroup.com

Opal

Unenclosed Vertical Platform Lift
Suitable for indoor and outdoor applications

Opal – The Garaventa Lift vertical platform is the ideal solution for lifting heights up to 3 m and is suitable to residential and commercial buildings.

- Rated load: 340 Kg
- Drive system: Leadscrew
- Speed: 0.05 m/s
- Motor: 1.5 kW
- Power requirements: 230 V 16A

Platform dimensions:

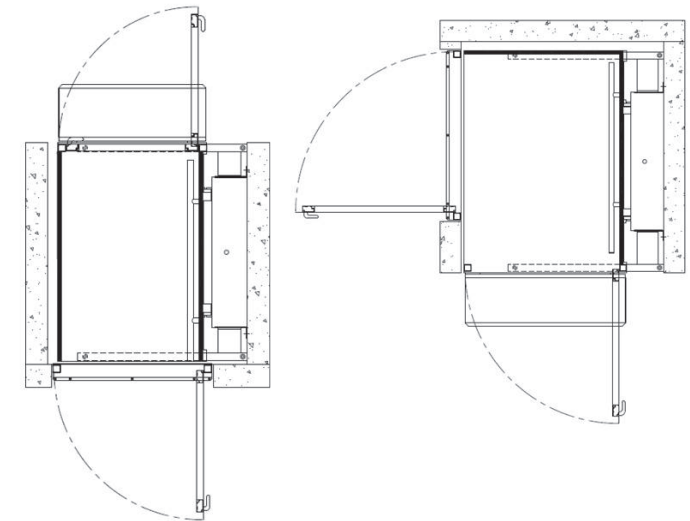
- Standard: 914 x 1242 mm
- Medium: 914 x 1394 mm
- Large: 1100 x 1546 mm
- Custom dimensions previous verification

Opal is an unenclosed vertical platform lift for lifting heights up to 3 m with minimal or zero architectural modifications.

Opal can be installed directly on the floor or in a pit.

Opal has hold to run controls. The platform stops if the control switch is released.

The vertical platform Opal includes a safety system with lock and control of the gates and has an under platform sensitive plate to detect obstacles underneath the platform.



Example of straight thru access

Example of 90° access

- Easy installation
- Minimal or zero architectural modifications
- Easy to use
- Minimal maintenance

Opal can be installed both indoors and outdoors. Often, it is the easiest solution for an obstacle free access. The Opal vertical platform does not need a machine room.

The lift operation is easy and intuitive.

A fixed or auto-fold ramp can be installed to allow lift mounting directly to the floor.

