



PIX manufacture a dedicated range of belts specifically designed to withstand the rigours of Grass Machinery applications. Such has been the success of these products that PIX is the first choice for many of the “blue chip” manufacturers in the Lawn and Garden industry.

Features & Benefits

- Belts have large diameter ARAMID (Kevlar) cords, impregnated with special compound which eliminates the need for re-tensioning and offers:
 - High Tensile Strength
 - Non-extensibility
 - High Resistance to shock loads
- Belts are covered with a double wrap of special fabric to ensure:
 - High resistance to wear and tear
 - Reduced slippage while clutching
- Belt Characteristics
 - Able to withstand high level of reverse flexing
 - usually associated with “serpentine” drives, and external idler placement
 - High resistance to oil, heat and cracking
- Extensive range specially constructed belts tested and approved to suit many OEM-specific applications
- Attractive aesthetic qualities – coloured “dry cotton”- type wrap is synonymous with the belts used by major quality OEMs
- Available in standard sections – 3L, 4L and 5L
- Also available in an extensive range of OEM-specific sizes, where they are specially constructed and tested to OEM specification. These are identified from the manufacturer’s original reference, and meet virtually every aspect of the originals in design, construction and performance

3L SECTION BELTS

Wrapped V-Belts : Blue Dry-Cover,
Kevlar Belts - Standard : RMA IP 23

Features :

- High tensile strength
- Non extensibility
- High resistance to shock loads
- High resistance to wear and tear
- Reduced slippage while clutching
- High resistance to repeated reverse flexing
- High resistance to oil, heat and cracking

Useful Information

Manufacturing Range

- 266 - 4064 mm (La)

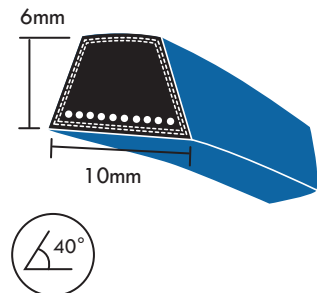
Rec. Min Pulley Dia.

- 39 de (mm)

Weight per metre (Kgs)

- 0.057

Belt Ref	Outside Length (inches)	La (mm)	Belt Ref	Outside Length (inches)	La (mm)	Belt Ref	Outside Length (inches)	La (mm)	Belt Ref	Outside Length (inches)	La (mm)
DRYB-3L-K-110	11	279	DRYB-3L-K-310	31	787	DRYB-3L-K-470	47	1194	DRYB-3L-K-690	69	1753
DRYB-3L-K-120	12	305	DRYB-3L-K-315	32	800	DRYB-3L-K-480	48	1219	DRYB-3L-K-700	70	1778
DRYB-3L-K-130	13	330	DRYB-3L-K-320	32	813	DRYB-3L-K-490	49	1245	DRYB-3L-K-710	71	1803
DRYB-3L-K-140	14	356	DRYB-3L-K-330	33	838	DRYB-3L-K-500	50	1270	DRYB-3L-K-720	72	1829
DRYB-3L-K-150	15	381	DRYB-3L-K-340	34	864	DRYB-3L-K-510	51	1295	DRYB-3L-K-730	73	1854
DRYB-3L-K-160	16	406	DRYB-3L-K-350	35	889	DRYB-3L-K-520	52	1321	DRYB-3L-K-740	74	1880
DRYB-3L-K-170	17	432	DRYB-3L-K-355	36	902	DRYB-3L-K-530	53	1346	DRYB-3L-K-750	75	1905
DRYB-3L-K-180	18	457	DRYB-3L-K-360	36	914	DRYB-3L-K-540	54	1372	DRYB-3L-K-760	76	1930
DRYB-3L-K-190	19	483	DRYB-3L-K-365	37	927	DRYB-3L-K-550	55	1397	DRYB-3L-K-770	77	1956
DRYB-3L-K-200	20	508	DRYB-3L-K-370	37	940	DRYB-3L-K-560	56	1422	DRYB-3L-K-780	78	1981
DRYB-3L-K-210	21	533	DRYB-3L-K-380	38	965	DRYB-3L-K-570	57	1448	DRYB-3L-K-790	79	2007
DRYB-3L-K-220	22	559	DRYB-3L-K-385	39	978	DRYB-3L-K-580	58	1473			
DRYB-3L-K-230	23	584	DRYB-3L-K-390	39	991	DRYB-3L-K-590	59	1499			
DRYB-3L-K-235	24	597	DRYB-3L-K-400	40	1016	DRYB-3L-K-600	60	1524			
DRYB-3L-K-240	24	610	DRYB-3L-K-405	41	1029	DRYB-3L-K-610	61	1549			
DRYB-3L-K-250	25	635	DRYB-3L-K-410	41	1041	DRYB-3L-K-620	62	1575			
DRYB-3L-K-260	26	660	DRYB-3L-K-415	42	1054	DRYB-3L-K-630	63	1600			
DRYB-3L-K-270	27	686	DRYB-3L-K-420	42	1067	DRYB-3L-K-640	64	1626			
DRYB-3L-K-280	28	711	DRYB-3L-K-430	43	1092	DRYB-3L-K-650	65	1651			
DRYB-3L-K-290	29	737	DRYB-3L-K-440	44	1118	DRYB-3L-K-660	66	1676			
DRYB-3L-K-295	30	749	DRYB-3L-K-450	45	1143	DRYB-3L-K-670	67	1702			
DRYB-3L-K-300	30	762	DRYB-3L-K-460	46	1168	DRYB-3L-K-680	68	1727			



4L SECTION BELTS

Wrapped V-Belts : Blue Dry-Cover,
Kevlar Belts - Standard : RMA IP 23

Features :

- High tensile strength
- Non extensibility
- High resistance to shock loads
- High resistance to wear and tear
- Reduced slippage while clutching
- High resistance to repeated reverse flexing
- High resistance to oil, heat and cracking

Useful Information

Manufacturing Range

- 381 - 9144 mm (La)

Rec. Min Pulley Dia.

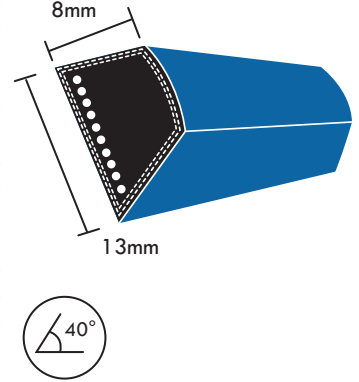
- 64 de (mm)

Weight per metre (Kgs)

- 0.104

Belt Ref	Outside Length (inches)	La (mm)	Belt Ref	Outside Length (inches)	La (mm)	Belt Ref	Outside Length (inches)	La (mm)	Belt Ref	Outside Length (inches)	La (mm)
DRYB-4L-K-170	17	432	DRYB-4L-K-280	28	711	DRYB-4L-K-345	34.5	876	DRYB-4L-K-420	42	1067
DRYB-4L-K-180	18	457	DRYB-4L-K-290	29	737	DRYB-4L-K-350	35	889	DRYB-4L-K-425	42.5	1080
DRYB-4L-K-190	19	483	DRYB-4L-K-295	29.5	749	DRYB-4L-K-355	35.5	902	DRYB-4L-K-430	43	1092
DRYB-4L-K-200	20	508	DRYB-4L-K-300	30	762	DRYB-4L-K-360	36	914	DRYB-4L-K-440	44	1118
DRYB-4L-K-210	21	533	DRYB-4L-K-305	30.5	775	DRYB-4L-K-370	37	940	DRYB-4L-K-450	45	1143
DRYB-4L-K-215	21.5	546	DRYB-4L-K-310	31	787	DRYB-4L-K-375	37.5	953	DRYB-4L-K-455	45.5	1156
DRYB-4L-K-220	22	559	DRYB-4L-K-315	31.5	800	DRYB-4L-K-380	38	965	DRYB-4L-K-460	46	1168
DRYB-4L-K-230	23	584	DRYB-4L-K-320	32	813	DRYB-4L-K-390	39	991	DRYB-4L-K-470	47	1194
DRYB-4L-K-240	24	610	DRYB-4L-K-325	32.5	826	DRYB-4L-K-395	39.5	1003	DRYB-4L-K-480	48	1219
DRYB-4L-K-250	25	635	DRYB-4L-K-330	33	838	DRYB-4L-K-400	40	1016	DRYB-4L-K-490	49	1245
DRYB-4L-K-260	26	660	DRYB-4L-K-335	33.5	851	DRYB-4L-K-405	40.5	1029	DRYB-4L-K-495	49.5	1257
DRYB-4L-K-270	27	686	DRYB-4L-K-340	34	864	DRYB-4L-K-410	41	1041	DRYB-4L-K-500	50	1270

Belt Ref	Outside Length (inches)	La (mm)	Belt Ref	Outside Length (inches)	La (mm)	Belt Ref	Outside Length (inches)	La (mm)	Belt Ref	Outside Length (inches)	La (mm)
DRYB-4L-K-510	51	1295	DRYB-4L-K-730	73	1854	DRYB-4L-K-920	92	2337	DRYB-4L-K-1160	116	2946
DRYB-4L-K-520	52	1321	DRYB-4L-K-740	74	1880	DRYB-4L-K-925	92.5	2350	DRYB-4L-K-1200	120	3048
DRYB-4L-K-530	53	1346	DRYB-4L-K-750	75	1905	DRYB-4L-K-930	93	2362	DRYB-4L-K-1260	126	3200
DRYB-4L-K-540	54	1372	DRYB-4L-K-760	76	1930	DRYB-4L-K-940	94	2388	DRYB-4L-K-1390	139	3531
DRYB-4L-K-550	55	1397	DRYB-4L-K-770	77	1956	DRYB-4L-K-950	95	2413	DRYB-4L-K-1580	158	4013
DRYB-4L-K-560	56	1422	DRYB-4L-K-780	78	1981	DRYB-4L-K-960	96	2438			
DRYB-4L-K-570	57	1448	DRYB-4L-K-785	78.5	1994	DRYB-4L-K-970	97	2464			
DRYB-4L-K-580	58	1473	DRYB-4L-K-790	79	2007	DRYB-4L-K-980	98	2489			
DRYB-4L-K-590	59	1499	DRYB-4L-K-800	80	2032	DRYB-4L-K-990	99	2515			
DRYB-4L-K-600	60	1524	DRYB-4L-K-810	81	2057	DRYB-4L-K-995	99.5	2527			
DRYB-4L-K-610	61	1549	DRYB-4L-K-820	82	2083	DRYB-4L-K-1000	100	2540			
DRYB-4L-K-620	62	1575	DRYB-4L-K-830	83	2108	DRYB-4L-K-1010	101	2565			
DRYB-4L-K-630	63	1600	DRYB-4L-K-840	84	2134	DRYB-4L-K-1020	102	2591			
DRYB-4L-K-640	64	1626	DRYB-4L-K-850	85	2159	DRYB-4L-K-1030	103	2616			
DRYB-4L-K-650	65	1651	DRYB-4L-K-860	86	2184	DRYB-4L-K-1040	104	2642			
DRYB-4L-K-660	66	1676	DRYB-4L-K-870	87	2210	DRYB-4L-K-1045	104.5	2654			
DRYB-4L-K-665	66.5	1689	DRYB-4L-K-880	88	2235	DRYB-4L-K-1050	105	2667			
DRYB-4L-K-670	67	1702	DRYB-4L-K-885	88.5	2248	DRYB-4L-K-1060	106	2692			
DRYB-4L-K-680	68	1727	DRYB-4L-K-890	89	2261	DRYB-4L-K-1070	107	2718			
DRYB-4L-K-690	69	1753	DRYB-4L-K-895	89.5	2273	DRYB-4L-K-1080	108	2743			
DRYB-4L-K-700	70	1778	DRYB-4L-K-900	90	2286	DRYB-4L-K-1110	111	2819			
DRYB-4L-K-710	71	1803	DRYB-4L-K-905	90.5	2299	DRYB-4L-K-1120	112	2845			
DRYB-4L-K-720	72	1829	DRYB-4L-K-910	91	2311	DRYB-4L-K-1130	113	2870			



5L SECTION BELTS

Wrapped V-Belts : Blue Dry-Cover,
Kevlar Belts - Standard : RMA IP 23

Features :

- High tensile strength
- Non extensibility
- High resistance to shock loads
- High resistance to wear and tear
- Reduced slippage while clutching
- High resistance to repeated reverse flexing
- High resistance to oil, heat and cracking

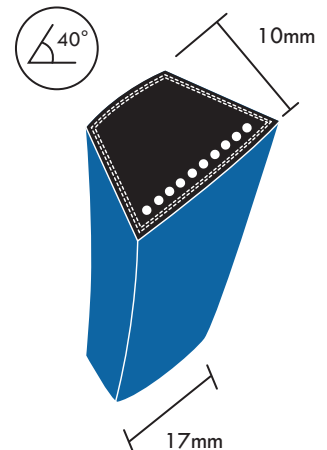
Useful Information

Manufacturing Range
- 533 - 5588 mm (La)

Rec. Min Pulley Dia.
- 89 de (mm)

Weight per metre (Kgs)
- 0.157

Belt Ref	Outside Length (inches)	La (mm)	Belt Ref	Outside Length (inches)	La (mm)	Belt Ref	Outside Length (inches)	La (mm)	Belt Ref	Outside Length (inches)	La (mm)
DRYB-5L-K-230	23	584	DRYB-5L-K-490	49	1245	DRYB-5L-K-760	76	1930	DRYB-5L-K-1030	103	2616
DRYB-5L-K-240	24	610	DRYB-5L-K-500	50	1270	DRYB-5L-K-770	77	1956	DRYB-5L-K-1040	104	2642
DRYB-5L-K-250	25	635	DRYB-5L-K-510	51	1295	DRYB-5L-K-780	78	1981	DRYB-5L-K-1050	105	2667
DRYB-5L-K-260	26	660	DRYB-5L-K-520	52	1321	DRYB-5L-K-790	79	2007	DRYB-5L-K-1060	106	2692
DRYB-5L-K-270	27	686	DRYB-5L-K-530	53	1346	DRYB-5L-K-800	80	2032	DRYB-5L-K-1070	107	2718
DRYB-5L-K-280	28	711	DRYB-5L-K-540	54	1372	DRYB-5L-K-810	81	2057	DRYB-5L-K-1080	108	2743
DRYB-5L-K-290	29	737	DRYB-5L-K-550	55	1397	DRYB-5L-K-820	82	2083	DRYB-5L-K-1090	109	2769
DRYB-5L-K-300	30	762	DRYB-5L-K-560	56	1422	DRYB-5L-K-830	83	2108	DRYB-5L-K-1100	110	2794
DRYB-5L-K-310	31	787	DRYB-5L-K-570	57	1448	DRYB-5L-K-840	84	2134			
DRYB-5L-K-320	32	813	DRYB-5L-K-580	58	1473	DRYB-5L-K-850	85	2159			
DRYB-5L-K-330	33	838	DRYB-5L-K-590	59	1499	DRYB-5L-K-860	86	2184			
DRYB-5L-K-340	34	864	DRYB-5L-K-600	60	1524	DRYB-5L-K-870	87	2210			
DRYB-5L-K-350	35	889	DRYB-5L-K-610	61	1549	DRYB-5L-K-880	88	2235			
DRYB-5L-K-360	36	914	DRYB-5L-K-620	62	1575	DRYB-5L-K-890	89	2261			
DRYB-5L-K-370	37	940	DRYB-5L-K-630	63	1600	DRYB-5L-K-900	90	2286			
DRYB-5L-K-380	38	965	DRYB-5L-K-640	64	1626	DRYB-5L-K-910	91	2311			
DRYB-5L-K-390	39	991	DRYB-5L-K-650	65	1651	DRYB-5L-K-920	92	2337			
DRYB-5L-K-400	40	1016	DRYB-5L-K-660	66	1676	DRYB-5L-K-930	93	2362			
DRYB-5L-K-410	41	1041	DRYB-5L-K-670	67	1702	DRYB-5L-K-940	94	2388			
DRYB-5L-K-415	41.5	1054	DRYB-5L-K-680	68	1727	DRYB-5L-K-950	95	2413			
DRYB-5L-K-420	42	1067	DRYB-5L-K-690	69	1753	DRYB-5L-K-960	96	2438			
DRYB-5L-K-430	43	1092	DRYB-5L-K-700	70	1778	DRYB-5L-K-970	97	2464			
DRYB-5L-K-440	44	1118	DRYB-5L-K-710	71	1803	DRYB-5L-K-980	98	2489			
DRYB-5L-K-450	45	1143	DRYB-5L-K-720	72	1829	DRYB-5L-K-990	99	2515			
DRYB-5L-K-460	46	1168	DRYB-5L-K-730	73	1854	DRYB-5L-K-1000	100	2540			
DRYB-5L-K-470	47	1194	DRYB-5L-K-740	74	1880	DRYB-5L-K-1010	101	2565			
DRYB-5L-K-480	48	1219	DRYB-5L-K-750	75	1905	DRYB-5L-K-1020	102	2591			



SPECIAL LAWN & GARDEN BELTS - OEM PT . NO . SPECIFIC

In addition to our standard range of Blue Belts, sold by size reference, we also produce a range of special belts which are specifically manufactured to fit many of the most popular Lawn and Garden applications.

These items are easily identifiable with the original manufacturers' references, and match virtually every aspect of the originals in design, construction and performance.

Belt Ref	To Fit As	Belt Ref	To Fit As	Belt Ref	To Fit As	Belt Ref	To Fit As
A-72047	ARIENS	A-35061424	CASTEL GARDEN	A-P3010048	IBEA	A-7540443A	MTD
A-72052	ARIENS			A-P3010049	IBEA	A-7540444	MTD
A-72066	ARIENS	A-35061426	CASTEL GARDEN	A-P3010050	IBEA	A-7540445	MTD
A-72080	ARIENS			A-P3010052	IBEA	A-7540453	MTD
A-72086	ARIENS	A-35061501	CASTEL GARDEN	A-P3010056	IBEA	A-7540468	MTD
A-72108	ARIENS			A-M110978	JOHN DEERE	A-7540470	MTD
A-72112	ARIENS	A-35062000	CASTEL GARDEN	A-M127926	JOHN DEERE	A-7540474	MTD
A-72113	ARIENS			A-M40223	JOHN DEERE	A-7540478	MTD
A-72169	ARIENS	A-35062001	CASTEL GARDEN	A-M41668	JOHN DEERE	A-7540479	MTD
A-72171	ARIENS			A-M44121	JOHN DEERE	A-7540492	MTD
A-3139	AS-MOTOR	A-35062010	CASTEL GARDEN	A-M74747	JOHN DEERE	A-7540499	MTD
A-3431	AS-MOTOR			A-M82258	JOHN DEERE	A-7540626	MTD
A-3984	AS-MOTOR	A-35062011	CASTEL GARDEN	A-M82538	JOHN DEERE	A-7540629	MTD
A-4283	AS-MOTOR			A-M84134	JOHN DEERE	A-7540630	MTD
A-4592	AS-MOTOR	A-35062811	CASTEL GARDEN	A-M84136	JOHN DEERE	A-7540631	MTD
A-106085X	AYP			A-PT12668	JOHN DEERE	A-7540632	MTD
A-106412X	AYP	A-35062812	CASTEL GARDEN	A-PT8697	JOHN DEERE	A-7540634	MTD
A-106729X	AYP			A-900017010020	MOTEC	A-7540935	MTD
A-110883	AYP	A-35063800	CASTEL GARDEN	A-7540101A	MTD	A-7543055	MTD
A-110884X	AYP			A-7540125A	MTD	A-MU690071	MURRAY
A-125907X	AYP	A-35063900	CASTEL GARDEN	A-7540131	MTD	A-100000047	MURRAY / KYNAST
A-126520X	AYP			A-7540145A	MTD		
A-130801	AYP	A-35063902	CASTEL GARDEN	A-7540151	MTD	A-100000048	MURRAY / KYNAST
A-130969	AYP			A-7540226	MTD		
A-131006	AYP	A-35064100	CASTEL GARDEN	A-7540229	MTD	A-100000049	MURRAY / KYNAST
A-131264	AYP			A-7540230	MTD		
A-131290	AYP	A-35064150	CASTEL GARDEN	A-7540232	MTD	A-100000050	MURRAY / KYNAST
A-137153	AYP			A-7540240	MTD		
A-139573	AYP	A-35064195	CASTEL GARDEN	A-7540241 A	MTD	A-100000051	MURRAY / KYNAST
A-140067	AYP			A-7540264	MTD		
A-140218	AYP	A-35064197	CASTEL GARDEN	A-7540266 A	MTD	A-100000791	MURRAY / KYNAST
A-140218X	AYP			A-7540270	MTD		
A-140294	AYP	A-35065700	CASTEL GARDEN	A-7540271	MTD	A-37X11	MURRAY / MOUNTFIELD
A-141410	AYP			A-7540280A	MTD		
A-141416	AYP	A-7650	DIXON	A-7540281	MTD	A-37X12	MURRAY / MOUNTFIELD
A-144200	AYP	A-7725	DIXON	A-7540293	MTD		
A-158818	AYP	A-25632	ETESIA	A-7540325	MTD	A-37X21	MURRAY / MOUNTFIELD
A-38015N	BOBCAT	A-25680	ETESIA	A-7540327	MTD		
A-38016N	BOBCAT	A-000.75.699	GUTBROD	A-7540328	MTD	A-37X22	MURRAY / MOUNTFIELD
A-38017N	BOBCAT	A-000.75.863	GUTBROD	A-7540328A	MTD		
A-38111	BOBCAT	A-506-2767-43	HUSQVARNA	A-7540329A	MTD	A-37X24	MURRAY / MOUNTFIELD
A-38211	BOBCAT	A-531007550	HUSQVARNA	A-7540343	MTD		
A-38212	BOBCAT	A-532169178	HUSQVARNA	A-7540346	MTD	A-37X26	MURRAY / MOUNTFIELD
A-38234	BOBCAT	A-IP3010011	IBEA	A-7540349	MTD		
A-38249	BOBCAT	A-IP3010012	IBEA	A-7540350	MTD	A-37X34	MURRAY / MOUNTFIELD
A-38440	BOBCAT	A-IP3010013	IBEA	A-7540355	MTD		
A-38442	BOBCAT	A-IP3010019	IBEA	A-7540358	MTD	A-37X38	MURRAY / MOUNTFIELD
A-38523	BOBCAT	A-IP3010020	IBEA	A-7540362	MTD		
A-78030N	BOBCAT	A-IP3010021	IBEA	A-7540363	MTD	A-37X40	MURRAY / MOUNTFIELD
A-78031N	BOBCAT	A-IP3010022	IBEA	A-7540364	MTD		
A-PL0511	BUNTON	A-IP3010025	IBEA	A-7540369	MTD	A-37X43	MURRAY / MOUNTFIELD
A-PL0643	BUNTON	A-IP3010027	IBEA	A-7540370	MTD		
A-PL0848	BUNTON	A-IP3010031	IBEA	A-7540371 A	MTD	A-37X45	MURRAY / MOUNTFIELD
A-35061400	CASTEL GARDEN	A-IP3010032	IBEA	A-7540427	MTD		
		A-IP3010033	IBEA	A-7540433	MTD	A-37X46	MURRAY / MOUNTFIELD
A-35061403	CASTEL GARDEN	A-P3010037	IBEA	A-7540436	MTD		
		A-P3010039	IBEA	A-7540439	MTD		
		A-P3010044	IBEA	A-7540440	MTD		

Belt Ref	To Fit As	Belt Ref	To Fit As	Belt Ref	To Fit As	Belt Ref	To Fit As
A-37X49	MURRAY / MOUNTFIELD	A-3145	NOMA / AMF / DYNAMARK	A-24934	SNAPPER	A-514290	TORO / WHEEL HORSE
A-37X56	MURRAY / MOUNTFIELD	A-318372	NOMA / AMF / DYNAMARK	A-29584	SNAPPER	A-5364	TORO / WHEEL HORSE
A-37X57	MURRAY / MOUNTFIELD	A-43066	NOMA / AMF / DYNAMARK	A-43844	SNAPPER	A-539660	TORO / WHEEL HORSE
A-37X59	MURRAY / MOUNTFIELD	A-48044	NOMA / AMF / DYNAMARK	A-76085	SNAPPER	A-54-2750	TORO / WHEEL HORSE
A-37X61	MURRAY / MOUNTFIELD	A-49878	NOMA / AMF / DYNAMARK	A-76145	SNAPPER	A-5-4505	TORO / WHEEL HORSE
A-37X62	MURRAY / MOUNTFIELD	A-57214	NOMA / AMF / DYNAMARK	A-76680	SNAPPER	A-559300	TORO / WHEEL HORSE
A-37X63	MURRAY / MOUNTFIELD	A-58170	NOMA / AMF / DYNAMARK	A-1111905101	STIGA	A-660210	TORO / WHEEL HORSE
A-37X64	MURRAY / MOUNTFIELD	A-506296702	PARTNER	A-1111905201	STIGA	A-696220	TORO / WHEEL HORSE
A-37X65	MURRAY / MOUNTFIELD	A-72321	PILOTE	A-1111905701	STIGA	A-69-6220	TORO / WHEEL HORSE
A-37X66	MURRAY / MOUNTFIELD	A-18244	SABO	A-1111906001	STIGA	A-710232	TORO / WHEEL HORSE
A-37X68	MURRAY / MOUNTFIELD	A-18812	SABO	A-1134900601	STIGA	A-715381	TORO / WHEEL HORSE
A-37X69	MURRAY / MOUNTFIELD	A-19220	SABO	A-1134900701	STIGA	A-88-6250	TORO / WHEEL HORSE
A-37X70	MURRAY / MOUNTFIELD	A-19227	SABO	A-1134900801	STIGA	A-5230	WALKER
A-37X74	MURRAY / MOUNTFIELD	A-29741	SABO	A-1134900901	STIGA	A-5232	WALKER
A-37X75	MURRAY / MOUNTFIELD	A-48083	SCAG	A-1134901001	STIGA	A-5234	WALKER
A-37X80	MURRAY / MOUNTFIELD	A-48086	SCAG	A-1134901101	STIGA	A-6232	WALKER
A-37X81	MURRAY / MOUNTFIELD	A-48087	SCAG	A-1134901201	STIGA	A-6730	WALKER
A-37X83	MURRAY / MOUNTFIELD	A-48202	SCAG	A-1134901301	STIGA	A-7230-A	WALKER
A-37x86	MURRAY / MOUNTFIELD	A-48204	SCAG	A-1134901501	STIGA	A-7231	WALKER
A-37X87	MURRAY / MOUNTFIELD	A-48799	SCAG	A-1134901601	STIGA	A-7234	WALKER
A-37X88	MURRAY / MOUNTFIELD	A-108505	SIMPLICITY	A-1134901701	STIGA	A-7235	WALKER
A-37X89	MURRAY / MOUNTFIELD	A-108508	SIMPLICITY	A-1134901901	STIGA	A-7248	WALKER
A-37X92	MURRAY / MOUNTFIELD	A-1657044	SIMPLICITY	A-1134902001	STIGA		
A-37X93	MURRAY / MOUNTFIELD	A-1664789	SIMPLICITY	A-1134902901	STIGA		
A-300680	NOMA / AMF / DYNAMARK	A-1666698	SIMPLICITY	A-1134903101	STIGA		
A-301935	NOMA / AMF / DYNAMARK	A-1668066	SIMPLICITY	A-1134908901	STIGA		
		A-1670835	SIMPLICITY	A-1621001501	STIGA		
		A-1703466	SIMPLICITY	A-41219585007200	STIGA		
		A-1716854	SIMPLICITY	A-94900007850	STIHL		
		A-1717397	SIMPLICITY	A-94900007851	STIHL		
		A-1720036	SIMPLICITY	A-HB010043	TIELBURGER		
		A-10749	SNAPPER	A-102741	TORO / WHEEL HORSE		
		A-12353	SNAPPER	A-102742	TORO / WHEEL HORSE		
		A-12354	SNAPPER	A-210890	TORO / WHEEL HORSE		
		A-12508	SNAPPER	A-256430	TORO / WHEEL HORSE		
		A-14525	SNAPPER	A-271160	TORO / WHEEL HORSE		
		A-14800	SNAPPER	A-446260	TORO / WHEEL HORSE		
		A-18236	SNAPPER	A-448990	TORO / WHEEL HORSE		
		A-22252	SNAPPER				
		A-23710	SNAPPER				