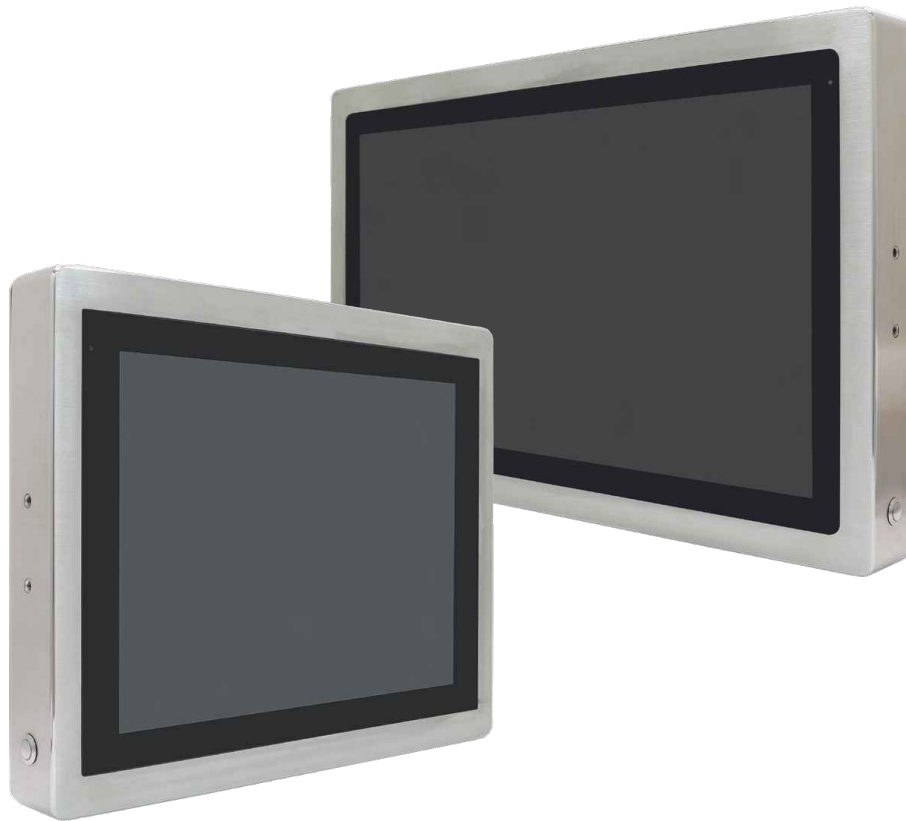




CiNOX

Series

Stainless Steel Panel PC Solutions



8XX |

9XXA |

2019





Stainless Steel Panel PC

PRODUCT LINE

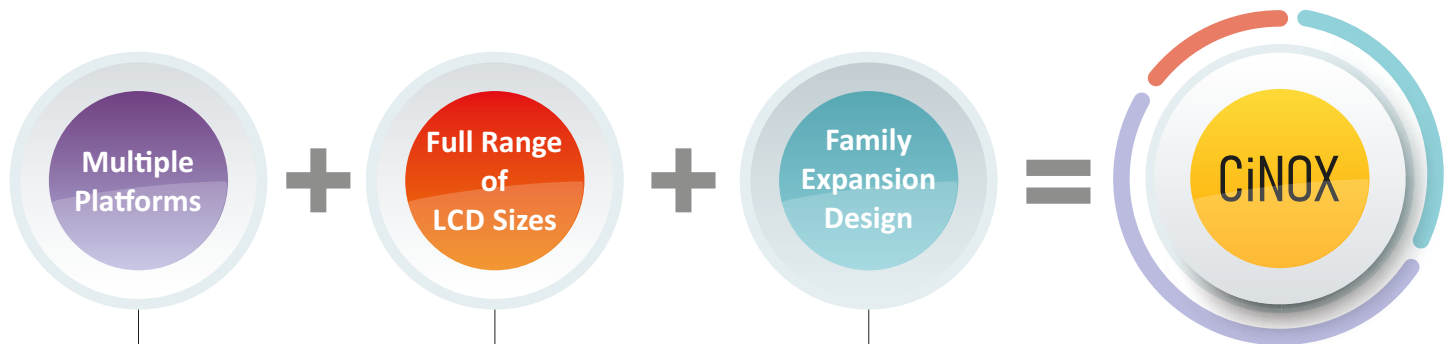


Considering the most protective standard, stainless steel is the first option due to its good corrosion, heat and impact resistance, it has the high degree of hardness and low maintenance cost. HS provides the products with long-term lifecycle for different applications that can be used in extremely harsh environments.

Stainless steel panel PC product line is both aesthetic and functional; the stainless steel construction, fully IP66/IP69K water and dust-proof protection with the flat front panel and projected capacitive multi-touch technology, which is suitable for applications that required highly durable, stiff and sanitary demands.

The Most Reliable Stainless Steel Panel Solutions Ever

The CiNOX series comes in panel PCs and industrial monitors with all-around features, the Panel PCs are ready for ARM based or X86 based platform which deliver four computing performance levels. iNOX series brings the most protective panel solution, it goes beyond the basic standard by achieving all IP66 and IP69K-certified with M12 connectors which is capable of withstanding the high-pressure water washing down and preventing the machine from dust accumulation. All is designed for a wide range of industrial applications including food/beverage, chemical, factory automation and other high standard environment. The further information is illustrated below.



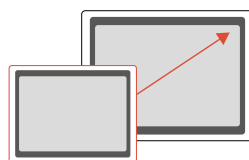
Display: Scaling IC

ARM: i.MX6

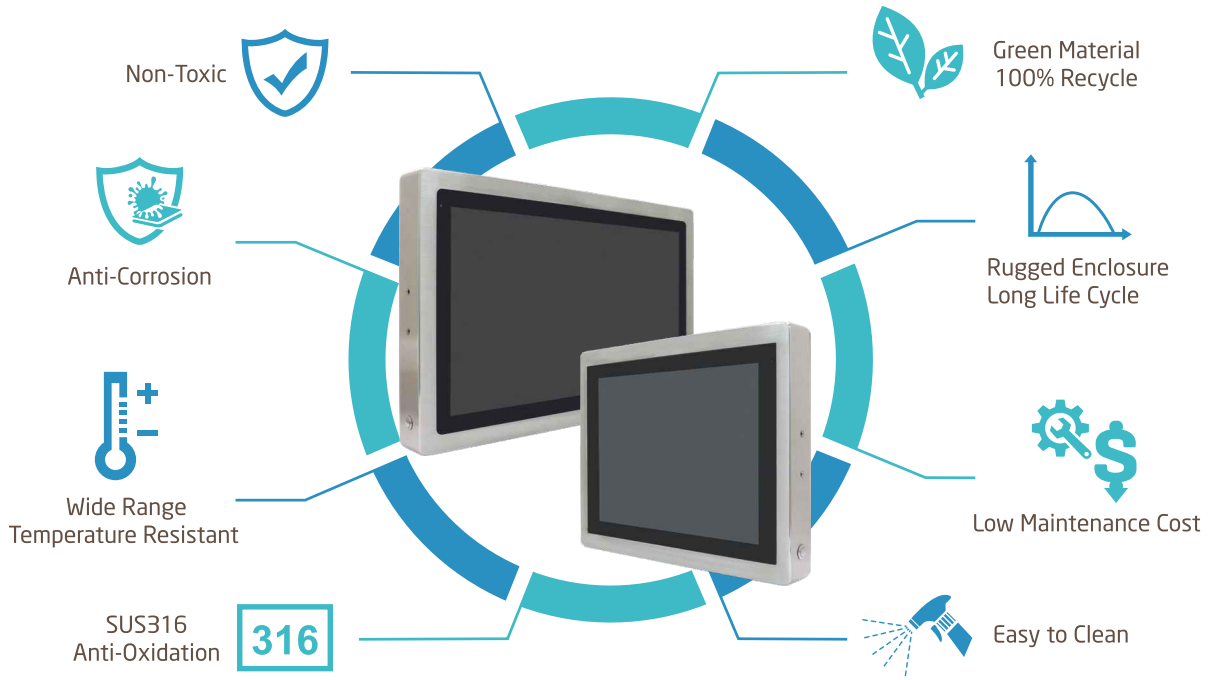
Celeron™: N2930

Core™: i3/i5/i7

10.1" ~ 24" LCD Size



WHY STAINLESS STEEL?



Sanitation is a serious issue of food/beverage industry so it is necessary to do the intensive cleaning to maintain the hygienic environment. Stainless steel is the first option in food and beverage manufacturing industry due to its cleanability, high corrosion resistance, and germ-resistant which can prevent the food/beverage from bacterial poisoning and will not damage people's health.

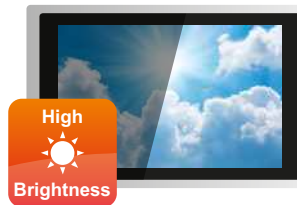
FEATURES HIGHLIGHT

Wide Range DC 9~36V Power Input



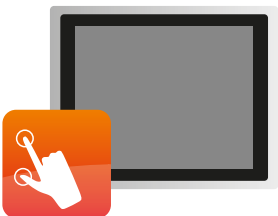
DC 9~36V wide range power input brings the advantage of flexibility and reliability in case the voltage of equipment is different or unstable.

Sunlight Readable Solution



Surface coating are provided, and the brightness can be automatically controlled up to 1000 nits based on the light condition. Optical bonding is recommended in large temp. difference environment which can prevent the glass from fogging up.

PCT Multi-touch Screen with 7H Anti-scratch Surface



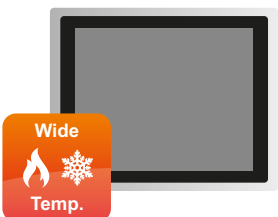
All series equipped with multi-touch for the exclusive requirement and 7H anti-scratch interface for the tough protection. (PCT model)

Fanless Design



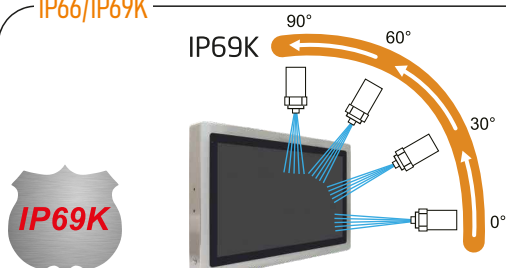
Fanless design for easily maintaining the equipment. Preventing from accumulating dust.

Wide Temperature



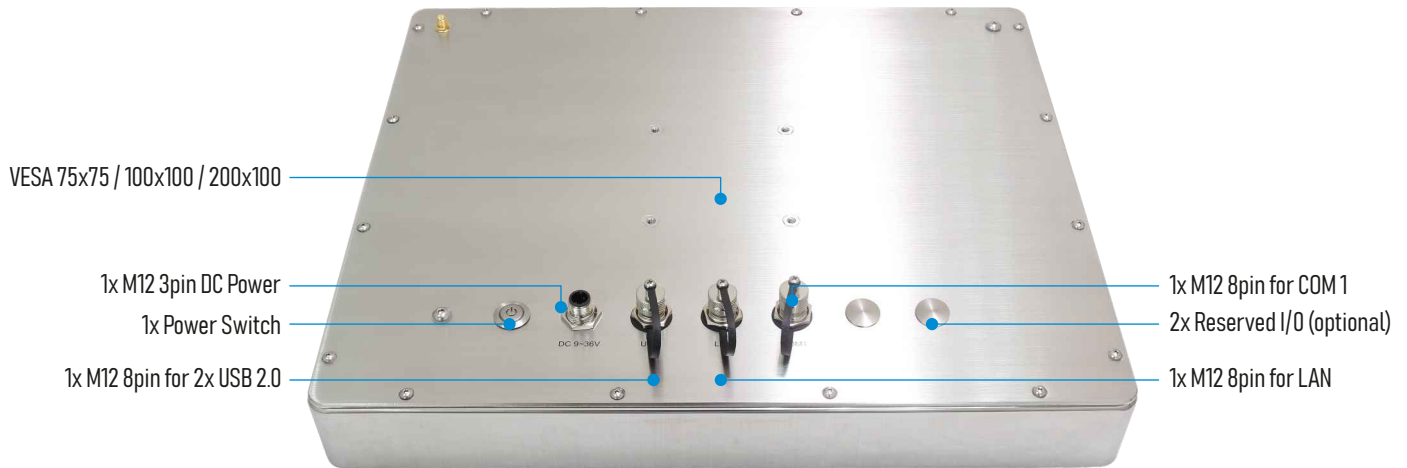
0 ~ 50°C
-20 ~ 60°C for option
(*optical bonding is also recommended)

IP66/IP69K

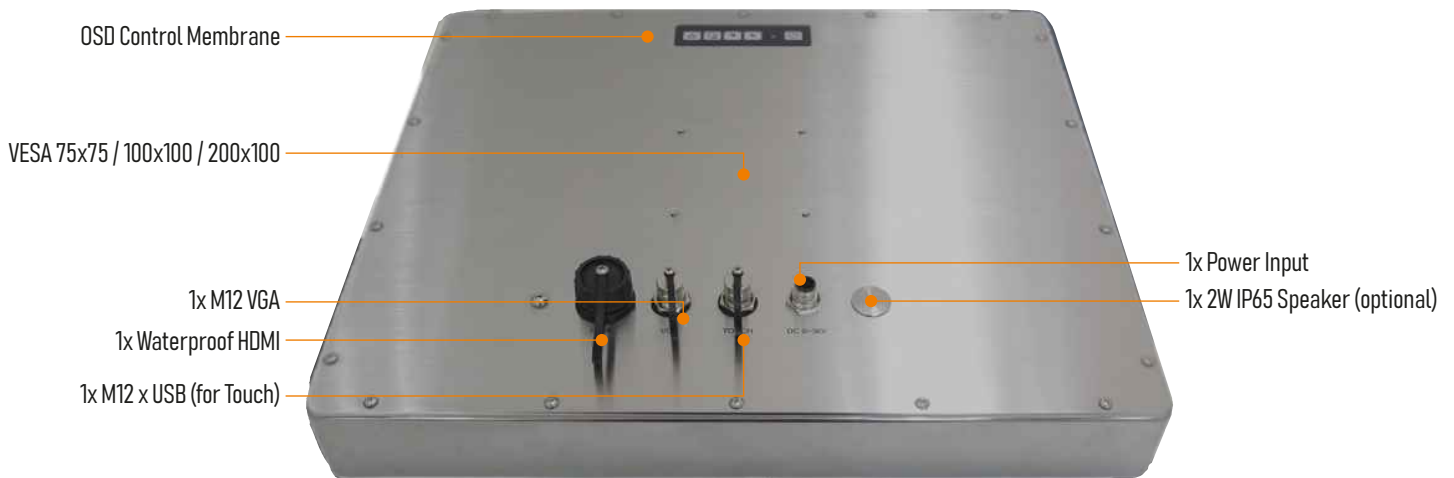


100 Bars at 80°C

Stainless Steel Panel PC



Stainless Steel Display



*for each single products of the Panel PC we also provide the Display version (1XX)

Low Power Consumption

CiNOX 8XX Series

Intel® Celeron™ N2930

- PCT/Resistive/Glass Touch Screen
- 10.1" ~ 23.8" Sizes
- 4GB DDR3L 1600MHz
- 1x 2.5" HDD/SSD
- 1x SD slot

High Performance Expandable

CiNOX 9XXA Series

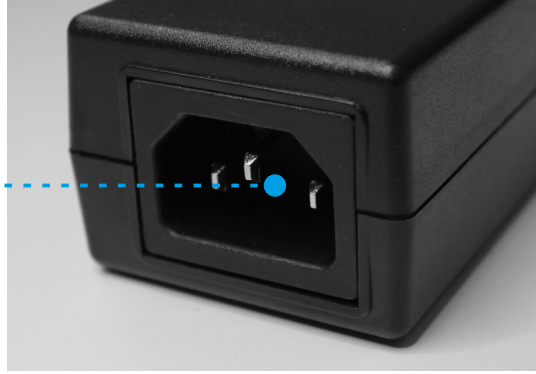
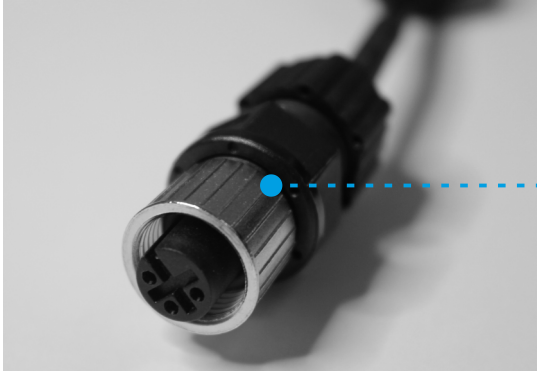
6th Gen. Intel® Core™ i5/i3

- PCT/Resistive/Glass Touch Screen
- 15" ~ 23.8" Sizes
- 16GB DDR4 SO-DIMM
- 1x 2.5" HDD/SSD
- 1x mSATA slot

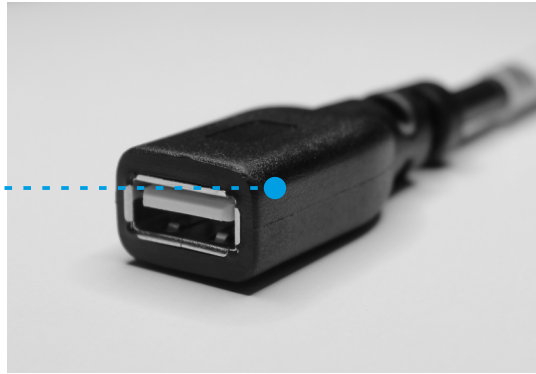
Cables

Panel PC cable connection

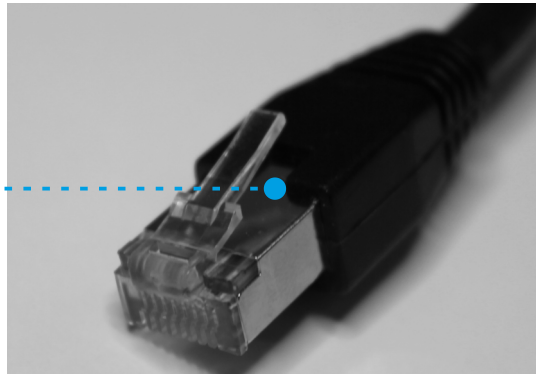
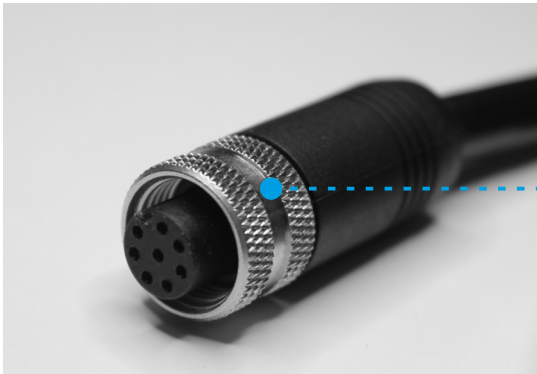
External cable connection



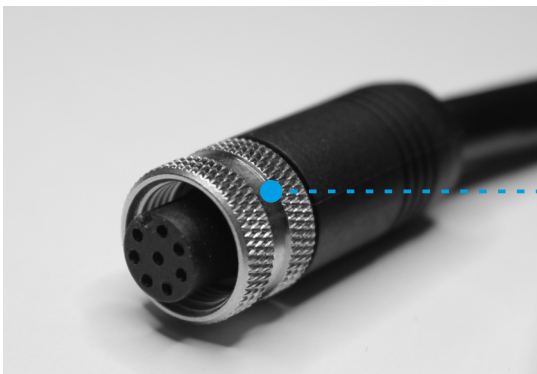
DC Adapter



USB 2.0



ETH LAN



COM

*waterproof closure

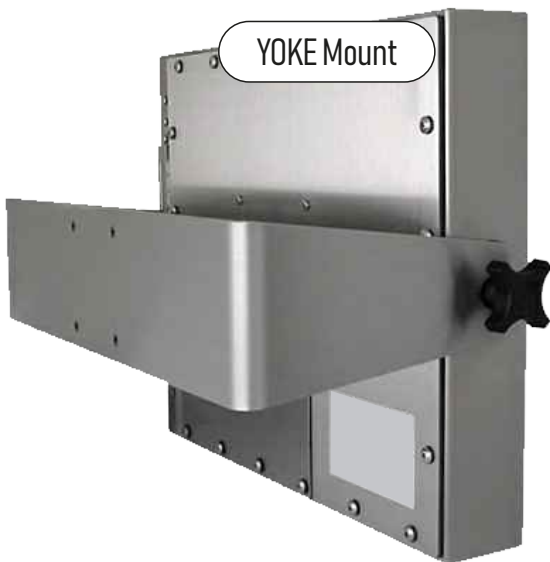
VERSATILE MOUNTING



Swing Arm



VESA Mount



YOKE Mount



Floor Stand

Expansion Capability



Legenda



Specifics

- (C) (L) Panel PC/Monitor
- (9) (8) (1) CiNOX 9XX/CiNOX 8XX/LiNOX 1XX
- (P) (R) (G) Projected Capacitive/Resistive/Glass
- (H) Higher Luminance (cd/m²)
- (4) (6) Intel® 4th/6th Gen.
- (i3) (i5) (N) Core™ i3/i5; Celeron™ N2930

8XX



CiNOX-8XX Series

IP66/IP69K Waterproof

Low Power Consumption Intel® Celeron™ N2930 Panel PC

- Intel® Celeron™ N2930 Processor
- Single Channel DDR3L 4/8GB
- Flat Front Panel Design Meets IP66/IP69K
- Touch ON/OFF button on the side
- RFID module design on the front side (optional)





Model Name	CiNOX-810		CiNOX-812		CiNOX-815	
System						
Processor	Intel® Atom™ E3845 Processor (2M Cache, 1.91GHz) / Intel® Celeron™ N2930 Processor (2M Cache, 1.83GHz)					
System Chipset	SoC					
System Memory	Onboard 4/8GB DDR3L SDRAM					
External I/O						
USB	1x M12 8-pin for USB 2.0 with waterproof cover and chain					
Serial/Parallel	1x M12 8-pin for COM1, RS-232/422/485, Default RS-232, with waterproof cover and chain					
LAN	1x M12 8pin for LAN with waterproof cover and chain					
Others	1x Touch ON/OFF button on the side					
Power connector	1x M12 3pin for DC Power with waterproof cover and chain, 1x Power Switch on the rear side					
Option	2x optional blank M12 connectors with waterproof cover and chain for selecting two from the following options: 2x USB 2.0; 1x USB 3.0; 1x LAN (PoE for option); 1x COM; 1x CAN					
Storage Space						
HDD	1x 2.5" SATA3 HDD space					
Expansion						
Expansion Slot	1x miniPCIe slot for WIFI/BT(optional), 4G/LTE(optional)					
RFID Module	RFID module design on the front side(optional)					
Display						
Display type	10.1" TFT-LCD		12.1" TFT-LCD		15" TFT-LCD	
Max. resolution	1280 x 800		800 x 600 / 1024 x 768		1024 x 768	
Max. color	16.7M		262K / 16.2M		262K / 16.2M	
Luminance(cd/m ²)	350	1000	450 / 500	1000	420	1000
View angle(H°/V°)	170/170		160/150 - 160/140	178/178 - 160/140	160/160	160/150
Contrast	800 : 1		1500 : 1		800 : 1	
Backlight lifetime(hrs)	25000	30000	30000 / 50000	50000	30000	
Touch Screen						
Type	Resistive (for R model); Projected Capacitive (for P model); Glass (for G model)					
Interface	USB					
Light transmission(%)	Resistive: 80% / Projected Capacitive: 90%					
Power						
Power input	DC 9 ~ 36V					
Power Consumption (TYP.)	17W		21W		19W	
Mechanical						
Construction	304 Stainless steel chassis (default); 316 Stainless steel chassis (optional)					
IP rating	Total IP66/IP69K					
Mounting	Yoke Mount / VESA 75x75					
Dimension (mm)	300 x 220 x 53		335 x 265 x 53		399 x 324 x 53	
Net weight (Kg)	3.9		5.3		7.4	
Environment						
Operating temperature (°C)	0 ~ 50					
Storage temperature (°C)	-30 ~ 70					
Storage humidity	10 to 90% @ 40°C, non- condensing					
Certification	CE/FCC Class A					
Operating System Support						
Windows® Embedded 7 Enterprise; Windows® Embedded 7 Standard Windows® Embedded 8.1 PRO; Windows® Embedded 8.1 Industry PRO Windows® 10 IoT						

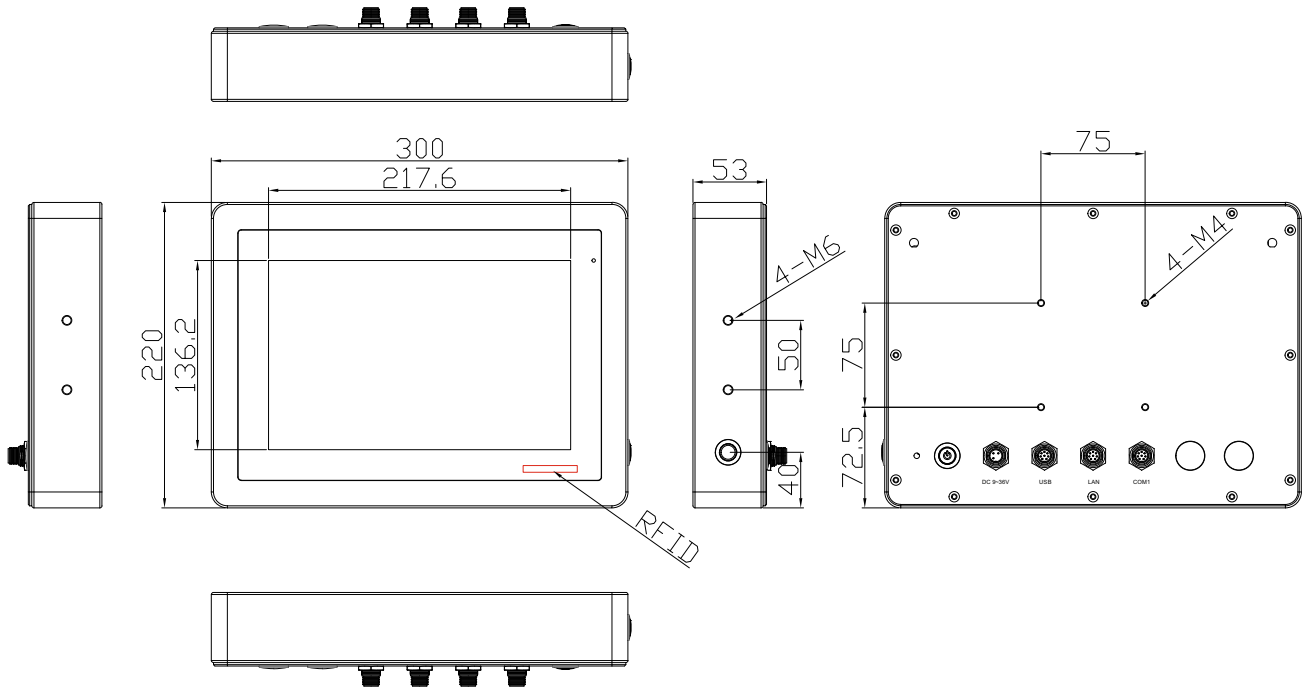


Model Name	CiNOX-816		CiNOX-817		CiNOX-819	
System						
Processor	Intel® Atom™ E3845 Processor (2M Cache, 1.91GHz) / Intel® Celeron™ N2930 Processor (2M Cache, 1.83GHz)					
System Chipset	SoC					
System Memory	Onboard 4/8GB DDR3L SDRAM					
External I/O						
USB	1 x M12 8-pin for USB 2.0 with waterproof cover and chain					
Serial/Parallel	1 x M12 8-pin for COM1, RS-232/422/485, Default RS-232, with waterproof cover and chain					
LAN	1 x M12 8pin for LAN with waterproof cover and chain					
Others	1 x Touch ON/OFF button on the side					
Power connector	1 x M12 3pin for DC Power with waterproof cover and chain, 1 x Power Switch on the rear side					
Option	2x optional blank M12 connectors with waterproof cover and chain for selecting two from the following options: 2x USB 2.0; 1x USB 3.0; 1x LAN (PoE for option); 1x COM; 1x CAN					
Storage Space						
HDD	1x 2.5" SATA3 HDD space					
Expansion						
Expansion Slot	1 x miniPCle slot for WIFI/BT(optional), 4G/LTE(optional)					
RFID Module	RFID module design on the front side(optional)					
Display						
Display type	15.6" TFT-LCD		17" TFT-LCD		19" TFT-LCD	
Max. resolution	1366 x 768		1280 x 1024			
Max. color	16.7M					
Luminance(cd/m ²)	300	1000	350	1000	350	1000
View angle(H°/V°)	160/160		170/170	170/160	170/165	170/160
Contrast	500 : 1		1000 : 1			
Backlight lifetime(hrs)	50000		50000		50000	30000
Touch Screen						
Type	Resistive (for R model); Projected Capacitive (for P model); Glass (for G model)					
Interface	USB					
Light transmission(%)	Resistive: 80% / Projected Capacitive: 90%					
Power						
Power input	DC 9 ~ 36V					
Power Consumption (TYP)	17W		21W		19W	
Mechanical						
Construction	304 Stainless steel chassis (default); 316 Stainless steel chassis (optional)					
IP rating	Total IP66/IP69K					
Mounting	Yoke Mount / VESA 75x75					
Dimension (mm)	300 x 220 x 53		335 x 265 x 53		399 x 324 x 53	
Net weight (Kg)	3.9		5.3		7.4	
Environment						
Operating temperature (°C)	0 ~ 50					
Storage temperature (°C)	-30 ~ 70					
Storage humidity	10 to 90% @ 40°C, non- condensing					
Certification	CE/FCC Class A					
Operating System Support						
Windows® Embedded 7; WEC 7 Windows® Embedded 8.1 Windows® 10 IoT ENT LTSB						

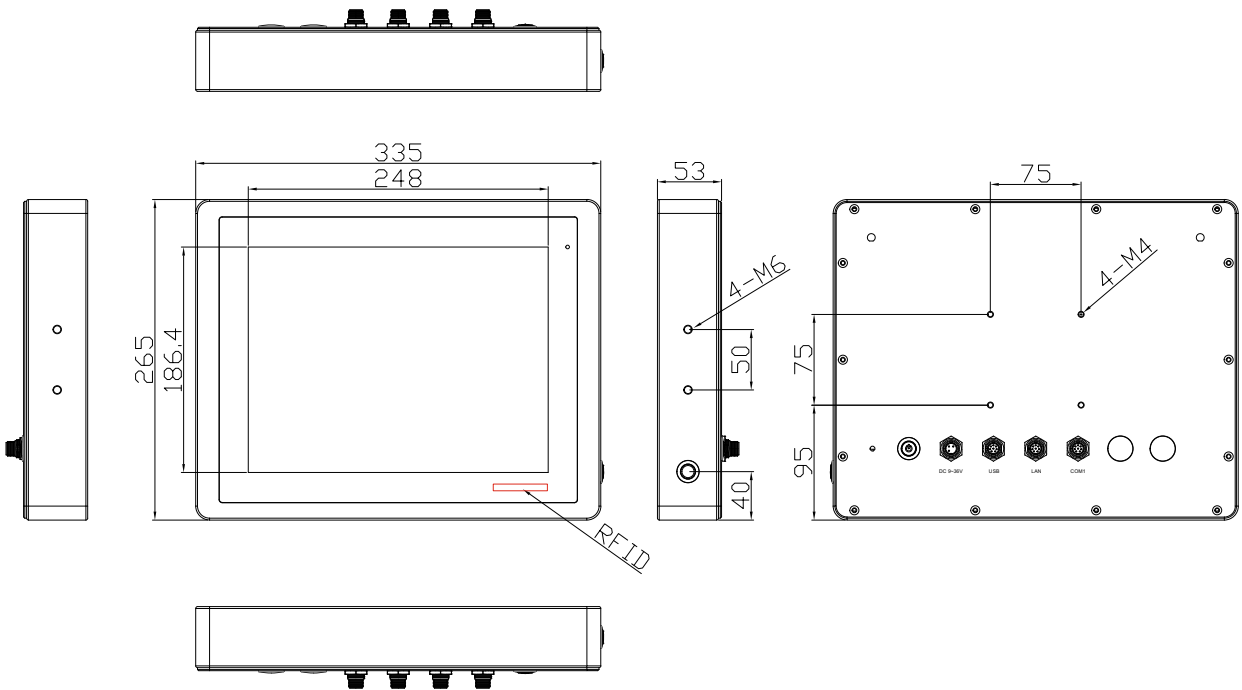


Model Name	CiNOX-821		CiNOX-824	
System				
Processor	Intel® Atom™ E3845 Processor (2M Cache, 1.91GHz) / Intel® Celeron™ N2930 Processor (2M Cache, 1.83GHz)			
System Chipset	SoC			
System Memory	Onboard 4/8GB DDR3L SDRAM			
External I/O				
USB	1x M12 8-pin for USB 2.0 with waterproof cover and chain			
Serial/Parallel	1x M12 8-pin for COM1, RS-232/422/485, Default RS-232, with waterproof cover and chain			
LAN	1x M12 8pin for LAN with waterproof cover and chain			
Others	1x Touch ON/OFF button on the side			
Power connector	1x M12 3pin for DC Power with waterproof cover and chain, 1x Power Switch on the rear side			
Option	2x optional blank M12 connectors with waterproof cover and chain for selecting two from the following options: 2x USB 2.0; 1x USB 3.0; 1x LAN (PoE for option); 1x COM; 1x CAN			
Storage Space				
HDD	1x 2.5" SATA3 HDD space			
Expansion				
Expansion Slot	1x miniPCIe slot for WIFI/BT(optional), 4G/LTE(optional)			
RFID Module	RFID module design on the front side(optional)			
Display				
Display type	21.5" TFT-LCD		23.8" TFT-LCD	
Max. resolution	1920 x 1080			
Max. color	16.7M			
Luminance(cd/m ²)	300	1000	250	1000
View angle(H°/V°)	178/178			
Contrast	3000 : 1			
Backlight lifetime(hrs)	30000	50000	30000	50000
Touch Screen				
Type	Resistive (for R model); Projected Capacitive (for P model); Glass (for G model)			
Interface	USB			
Light transmission(%)	Resistive: 80% / Projected Capacitive: 90%			
Power				
Power input	DC 9 ~ 36V			
Power Consumption (TYP.)	30W		43W	
Mechanical				
Construction	304 Stainless steel chassis (default); 316 Stainless steel chassis (optional)			
IP rating	Total IP66/IP69K			
Mounting	Yoke Mount / VESA 100x100		Yoke Mount / VESA 200x100	
Dimension (mm)	571 x 362 x 55		656 x 423 x 53	
Net weight (Kg)	10		12.5	
Environment				
Operating temperature (°C)	0 ~ 50			
Storage temperature (°C)	-30 ~ 70			
Storage humidity	10 to 90% @ 40°C, non- condensing			
Certification	CE/FCC Class A			
Operating System Support				
Windows® Embedded 7; WEC 7 Windows® Embedded 8.1 Windows® 10 IoT ENT LTSB				

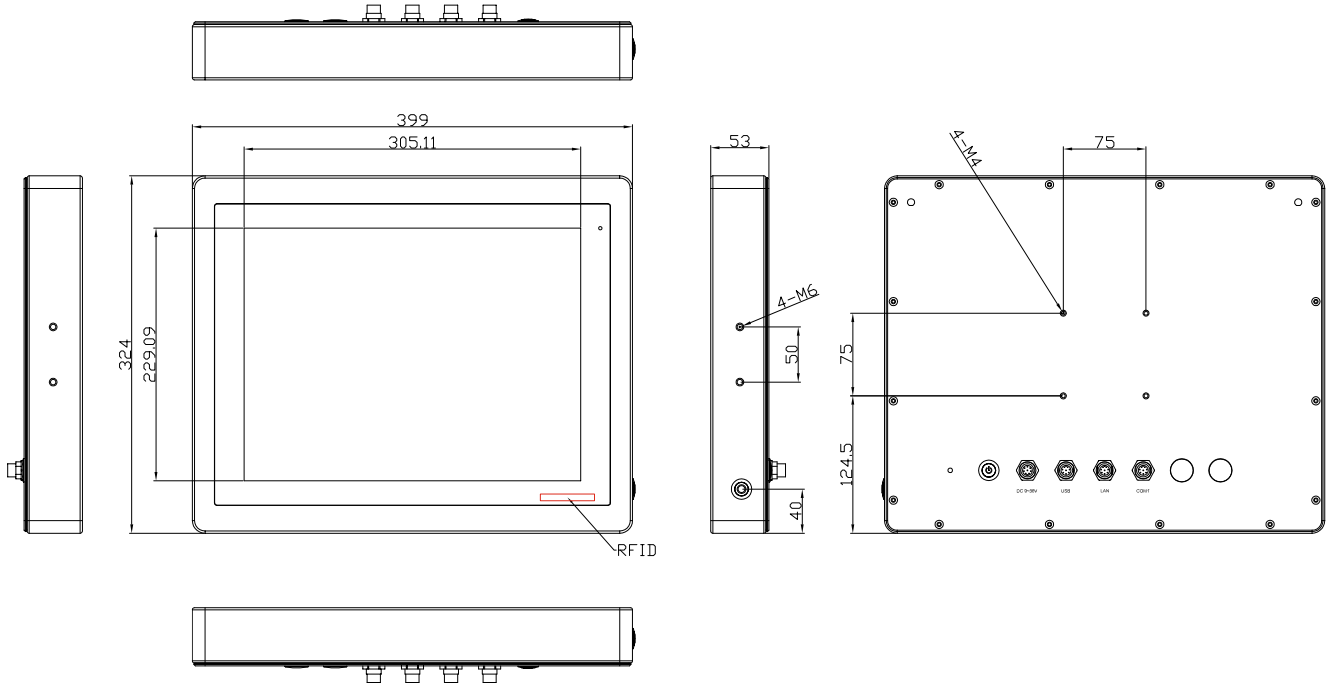
CiNOX-810



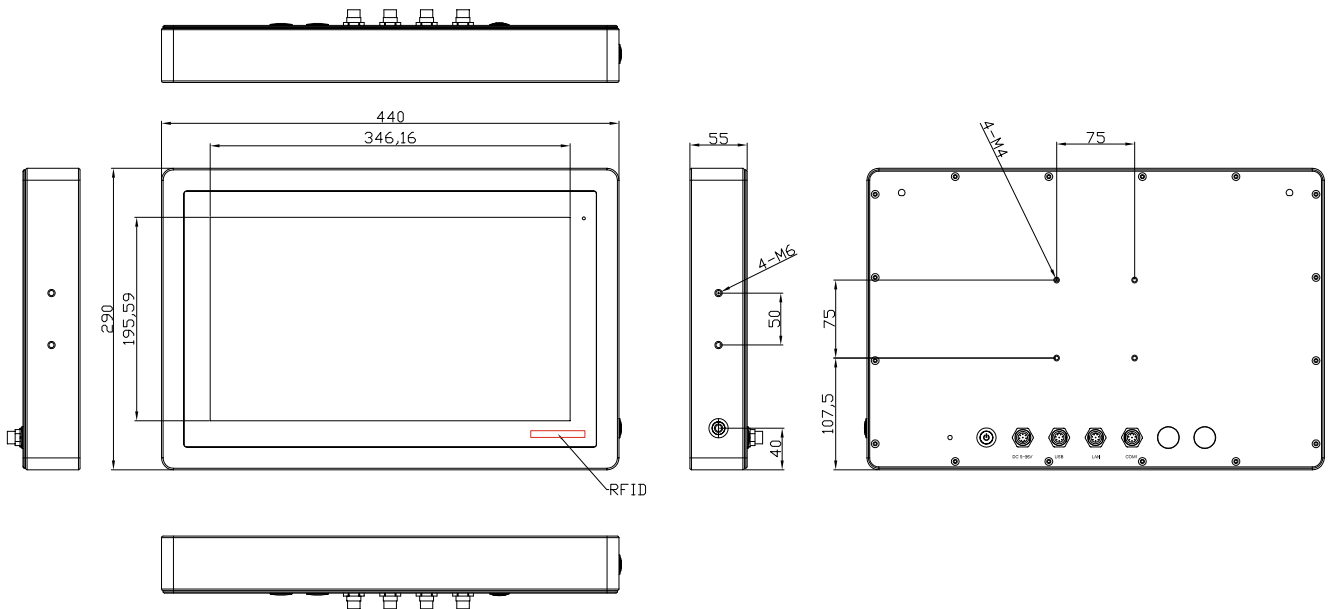
CiNOX-812



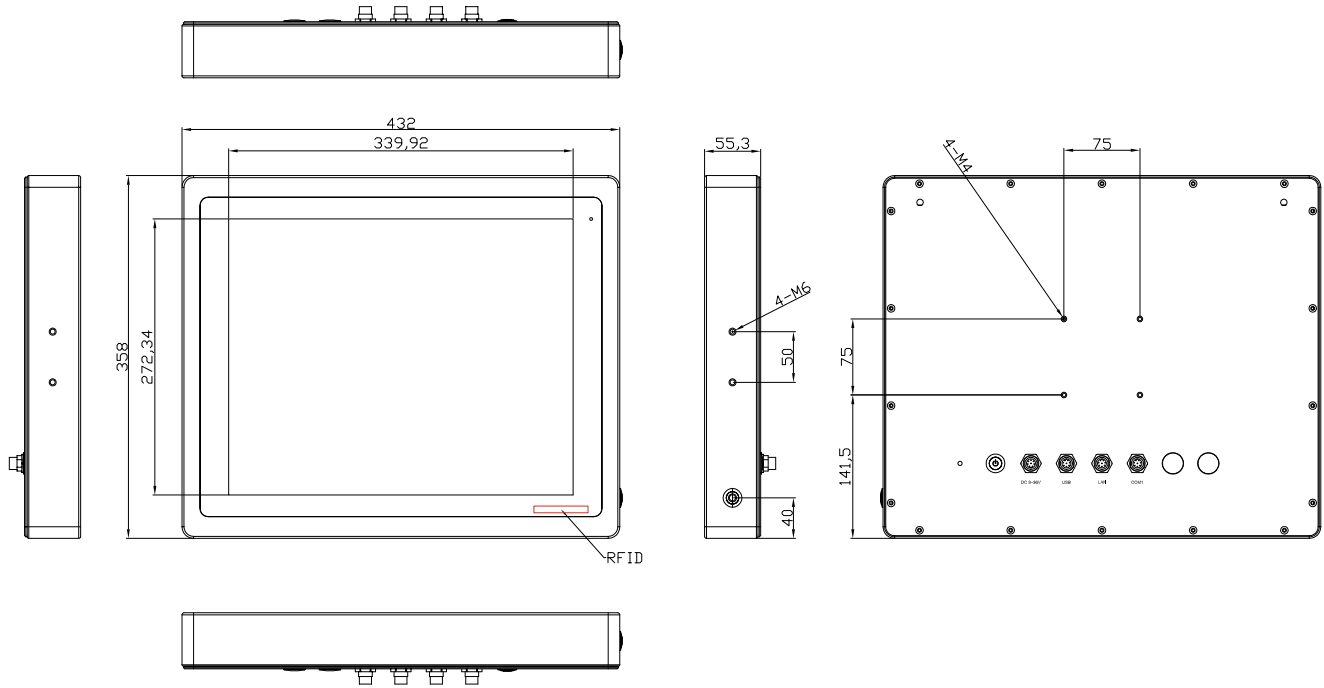
CiNOX-815



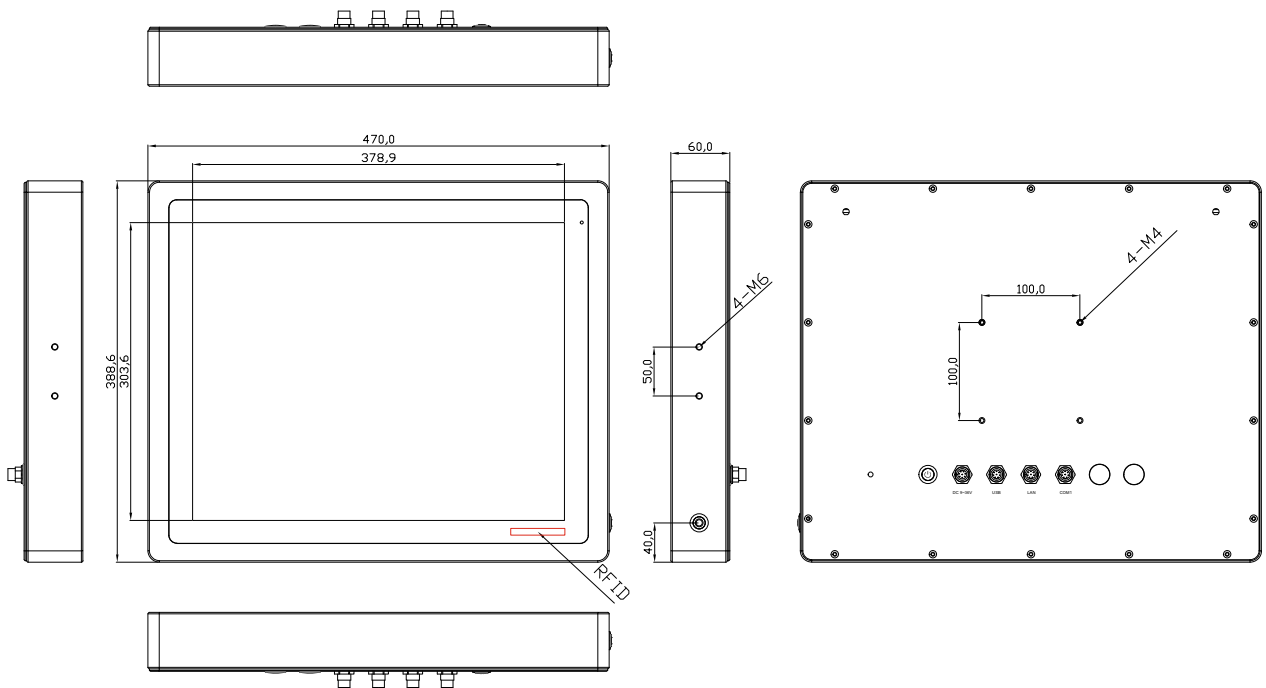
CiNOX-816



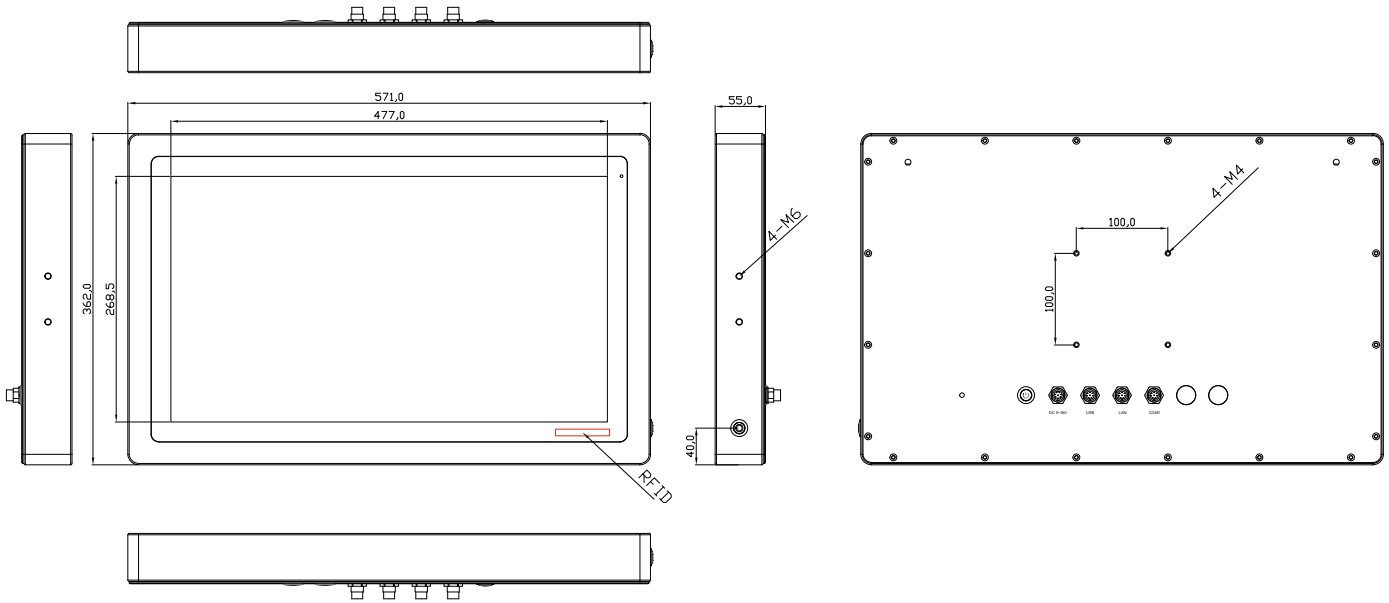
CiNOX-817



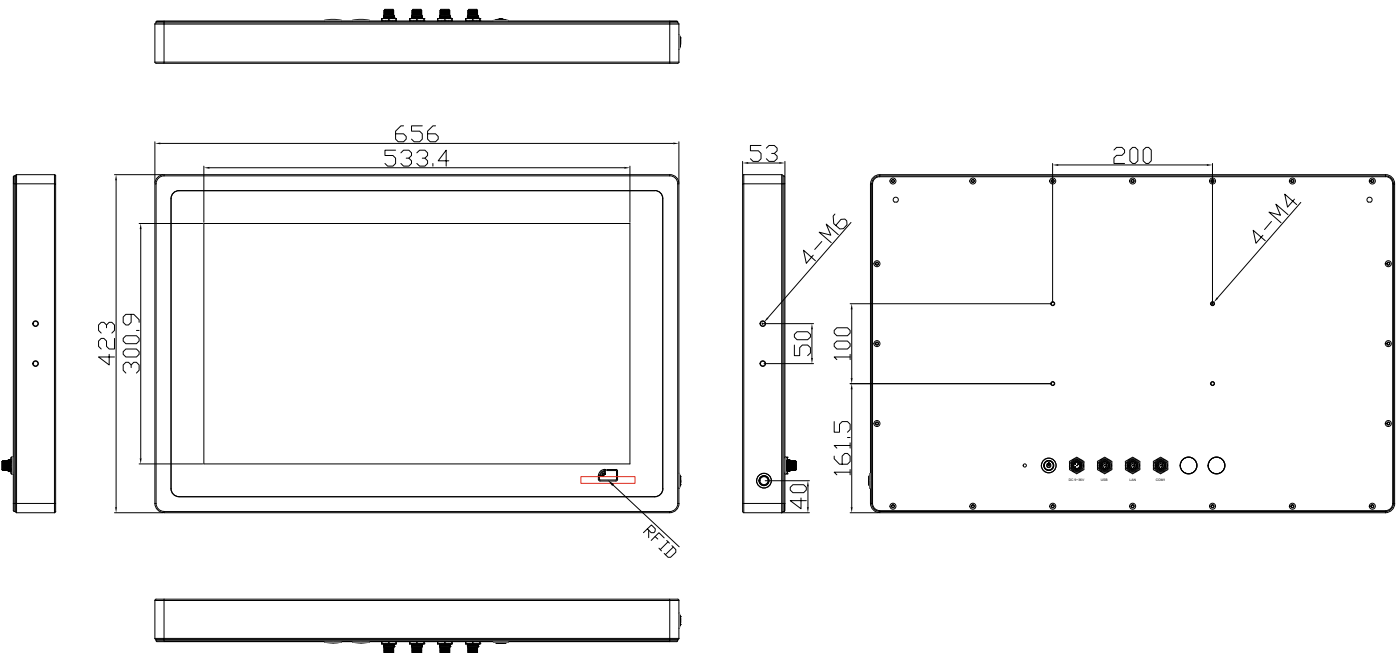
CiNOX-819



CiNOX-821



CiNOX-824



9XXA



CiNOX-9XXA Series

IP66/IP69K Waterproof

6th Gen. Intel® Core™ i3/i5 Panel PC

- 6th Gen. Intel® Core™ i3/i5 Processor
- Single Channel DDR4 SO-DIMM 16GB
- Flat Front Panel Design Meets IP66/IP69K
- Touch ON/OFF button on the side
- RFID module design on the front side (optional)



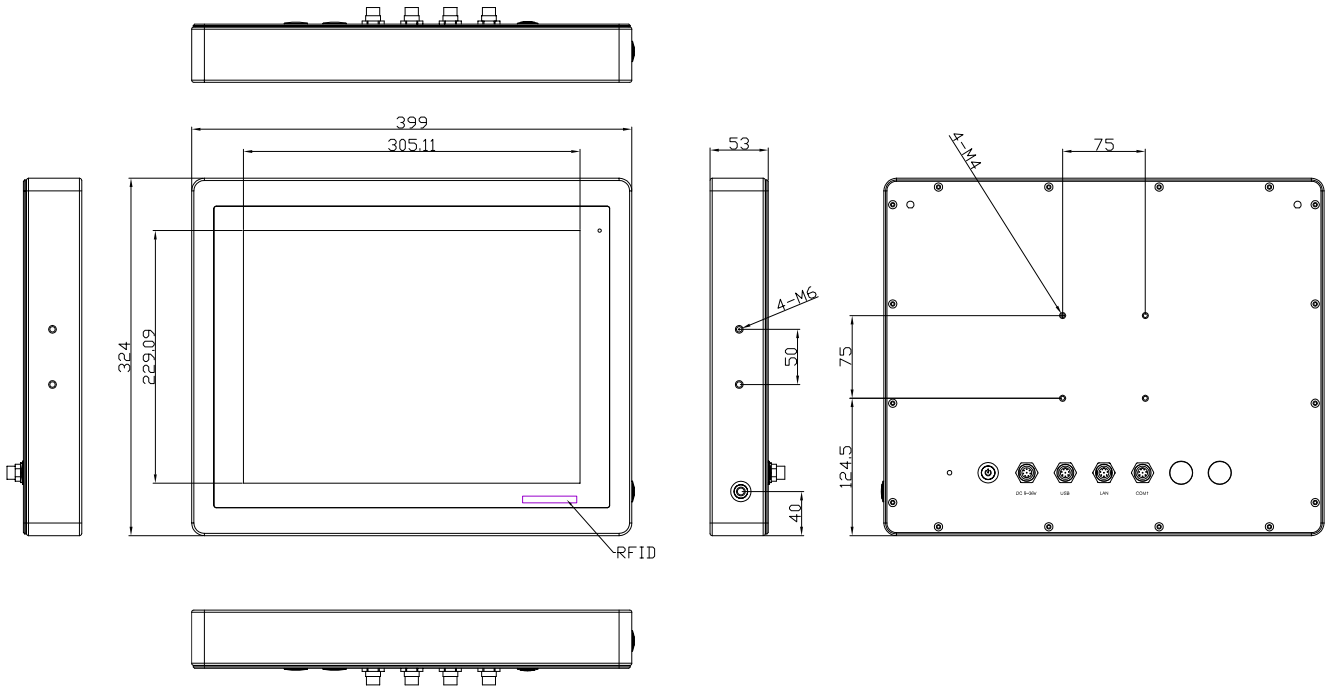


Model Name	CiNOX-915A		CiNOX-916A		CiNOX-917A	
System						
Processor	Onboard 6th Gen. Intel® Core™ i3/i5 Processor (3M Cache, 2.30 GHz) / Intel® Core™ i5-6300U Processor (3M Cache, 2.30 GHz)					
System Chipset	SoC					
System Memory	1x 260-pin SO-DIMM up to 16GB DDR4 2133MHz					
External I/O						
USB	1x M12 8-pin for USB 2.0 with waterproof cover and chain					
Serial/Parallel	1x M12 8-pin for COM1, RS-232/422/485, Default RS-232, with waterproof cover and chain					
LAN	1x M12 8pin for LAN with waterproof cover and chain					
Others	1x Touch ON/OFF button on the side					
Power connector	1x M12 3pin for DC Power with waterproof cover and chain, 1x Power Switch on the rear side					
Option	2x optional blank M12 connectors with waterproof cover and chain for selecting two from the following options: 2x USB 2.0; 1x USB 3.0; 1x LAN (PoE for option); 1x COM; 1x CAN					
Storage Space						
HDD	1x 2.5" SATA3 HDD space					
Expansion						
Expansion Slot	1x miniPCIe slot for WIFI/BT(optional), 4G/LTE(optional)					
RFID Module	RFID module design on the front side(optional)					
Display						
Display type	15" TFT-LCD		15.6" TFT-LCD		17" TFT-LCD	
Max. resolution	1024 x 768		1366 x 768		1280 x 1024	
Max. color	262K	16.2M	16.7M		16.7M	
Luminance(cd/m ²)	420	1000	300	1000	350	1000
View angle(H°/V°)	160/160	160/150	160/160		170/170	170/160
Backlight lifetime(hrs)	30000		50000		50000	
Touch Screen						
Type	Resistive (for AR model); Projected Capacitive (for AP model); Glass (for AG model)					
Interface	USB					
Light transmission(%)	Resistive: 80% / Projected Capacitive: 90%					
Power						
Power input	DC 9 ~ 36V					
Power Consumption (TYP.)	35W		49W			
Mechanical						
Construction	304 Stainless steel chassis (default); 316 Stainless steel chassis (optional)					
IP rating	Total IP66/IP69K					
Mounting	Yoke Mount / VESA 75x75					
Dimension (mm)	399 x 324 x 53		440 x 290 x 55		432 x 358 x 55	
Net weight (Kg)	7		7.2		8	
Environment						
Operating temperature (°C)	0 ~ 50					
Storage temperature (°C)	-30 ~ 70					
Storage humidity	10 to 90% @ 40°C, non-condensing					
Certification	CE/FCC Class A					
Operating System Support						
Windows® Embedded 7, 64bit Windows® Embedded 8.1, 64bit Windows® 10 IoT ENT LTSB, 64bit						

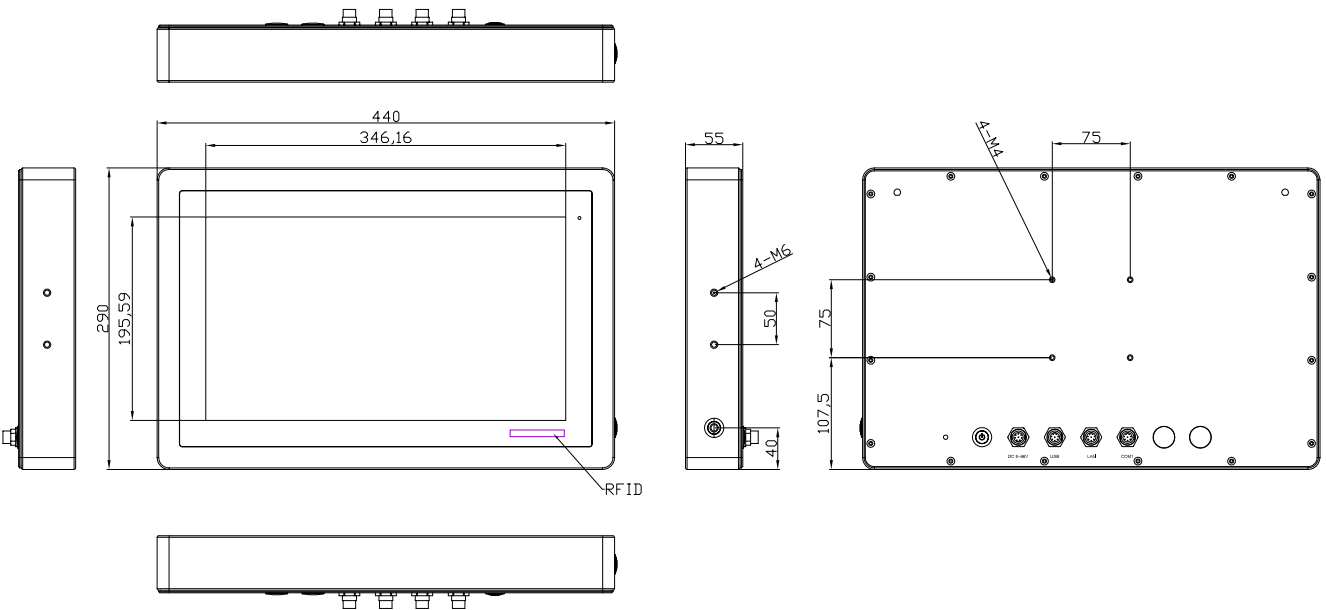


Model Name	CiNOX-919A		CiNOX-921A		CiNOX-924A	
System						
Processor	Onboard 6th Gen. Intel® Core™ i3/i5 Processor (3M Cache, 2.30 GHz) / Intel® Core™ i5-6300U Processor (3M Cache, 2.30 GHz)					
System Chipset	SoC					
System Memory	1x 260-pin SO-DIMM up to 16GB DDR4 2133MHz					
External I/O						
USB	1x M12 8-pin for USB 2.0 with waterproof cover and chain					
Serial/Parallel	1x M12 8-pin for COM1, RS-232/422/485, Default RS-232, with waterproof cover and chain					
LAN	1x M12 8pin for LAN with waterproof cover and chain					
Others	1x Touch ON/OFF button on the side					
Power connector	1x M12 3pin for DC Power with waterproof cover and chain, 1x Power Switch on the rear side					
Option	2x optional blank M12 connectors with waterproof cover and chain for selecting two from the following options: 2x USB 2.0; 1x USB 3.0; 1x LAN (PoE for option); 1x COM; 1x CAN					
Storage Space						
HDD	1x 2.5" HDD/SSD					
Expansion						
Expansion Slot	1x miniPCIe slot for WIFI/BT(optional)					
RFID Module	RFID module design on the front side (optional)					
Display						
Display type	19" TFT-LCD		21.5" TFT-LCD		23.8" TFT-LCD	
Max. resolution	1280 x 1024		1920 x 1080			
Max. color	16.7M		16.7M		16.7M	
Luminance(cd/m ²)	350	1000	300	1000	250	1000
View angle(H°/V°)	160/160	160/150	178/178			
Contrast	1000 : 1		3000 : 1			
Backlight lifetime(hrs)	50000	30000	30000	50000	30000	50000
Option	Optical Bonding					
Touch Screen						
Type	Resistive (for AR model); Projected Capacitive (for AP model); Glass (for AG model)					
Interface	USB					
Light transmission(%)	Resistive: 80% / Projected Capacitive: 90%					
Power						
Power input	DC 9 ~ 36V					
Power Consumption (TYP)	49W		43W		53W	
Mechanical						
Construction	304 Stainless steel chassis (default); 316 Stainless steel chassis (optional)					
IP rating	Total IP66/IP69K					
Mounting	Yoke Mount / VESA 100x100				Yoke Mount / VESA 200x100	
Dimension (mm)	470 x 388 x 60		571 x 362 x 55		656 x 423 x 53	
Net weight (Kg)	9.5		10		12.6	
Environment						
Operating temperature (°C)	0 ~ 50					
Storage temperature (°C)	-30 ~ 70					
Storage humidity	10 to 90% @ 40°C, non- condensing					
Certification	CE/FCC Class A					
Operating System Support						
Windows® Embedded 7, 64bit Windows® Embedded 8.1, 64bit Windows® 10 IoT ENT LTSB, 64bit						

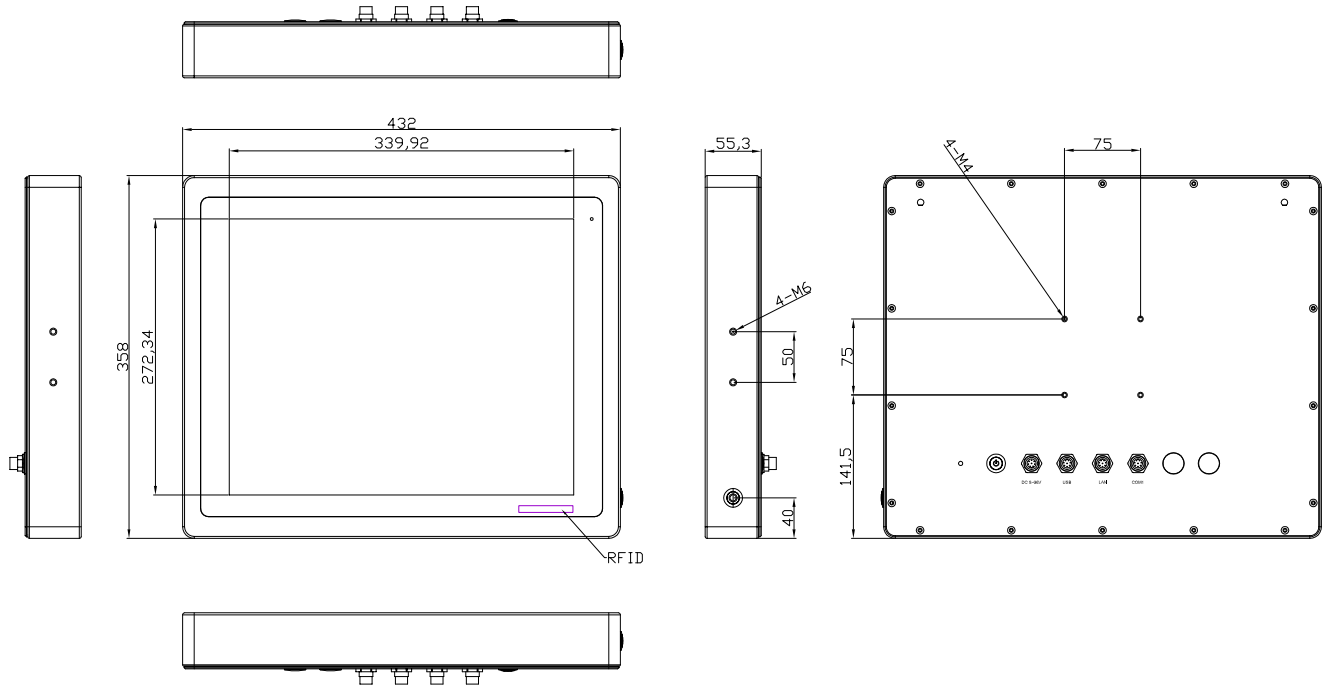
CiNOX-915A



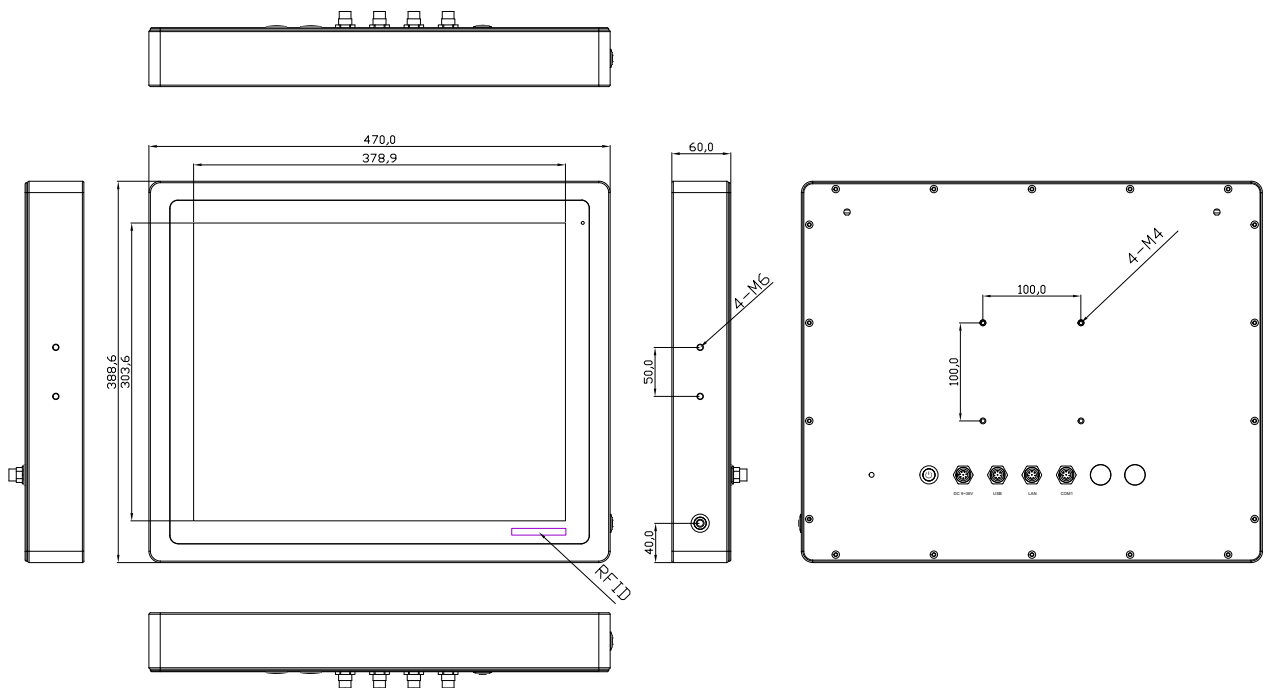
CiNOX-916A



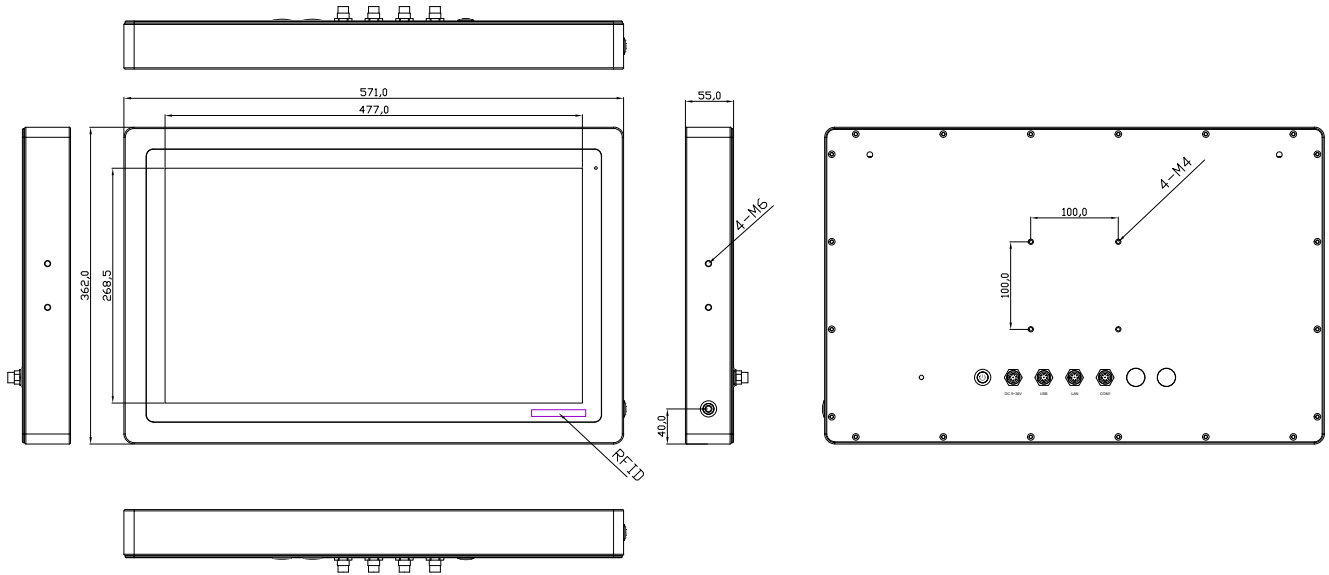
CiNOX-917A



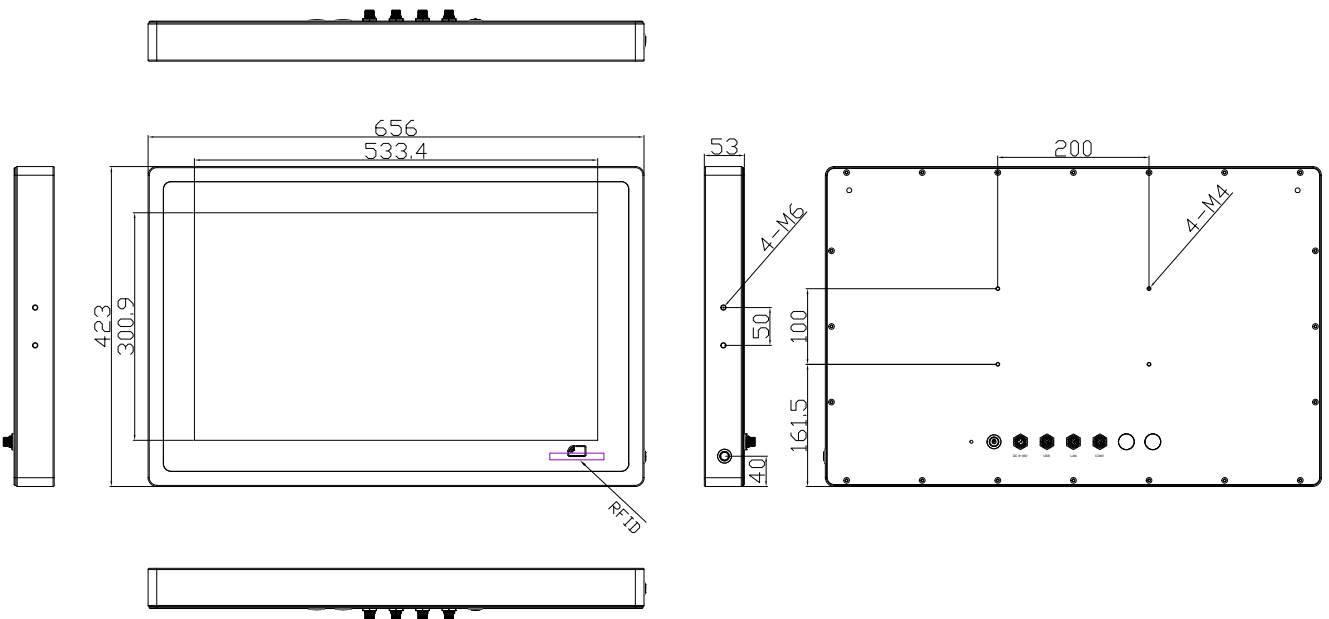
CiNOX-919A



CiNOX-921A



CiNOX-924A





Industrial PCs

8XX |

9XXA |

