

BERIC DAVIS COMPANIES INTERNATIONAL, LTD.

Connecting Business Worldwide!

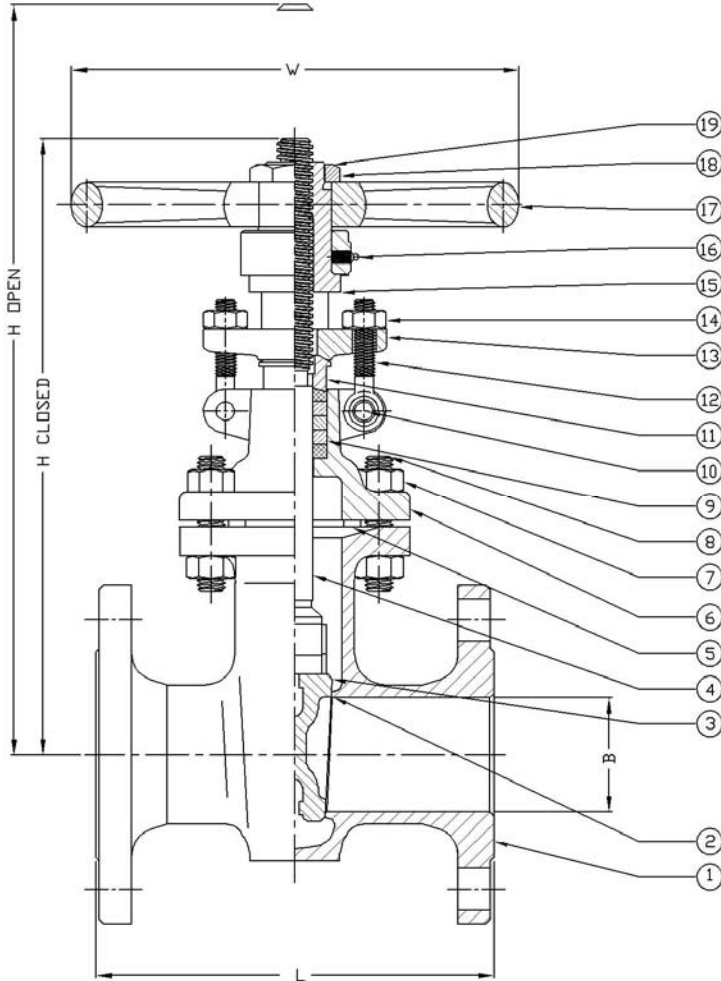


**API 603/
ASME B16.34
CORROSION
RESISTANT VALVE**

WWW.BERICVALVES.COM



Gate Valve Class 150



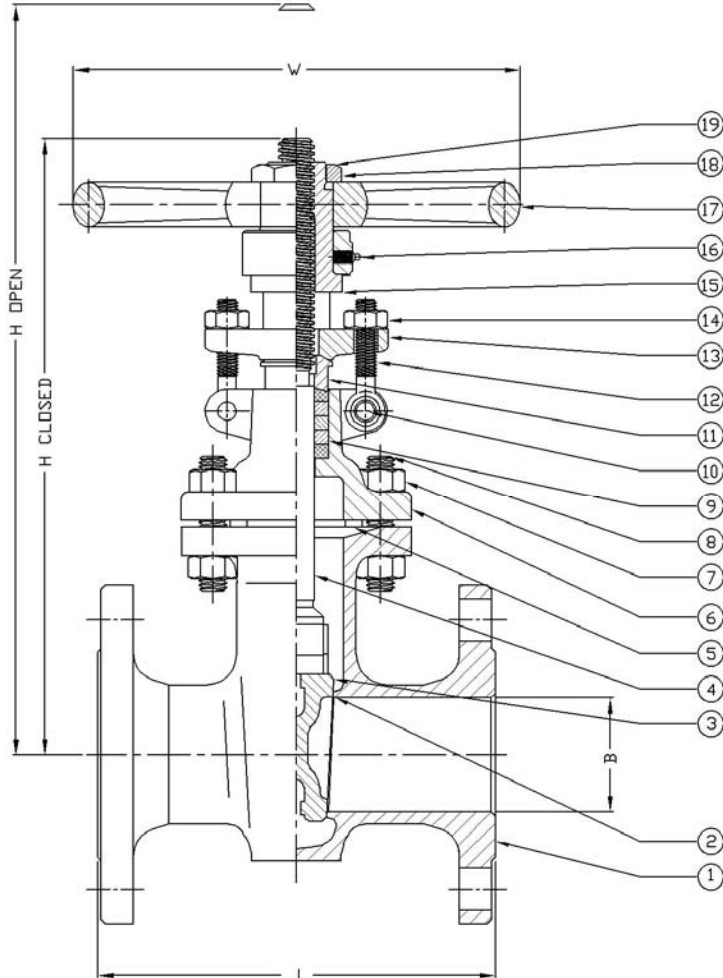
Standards:
 Face to Face Dimensions: ANSI B16.10
 End Flange Dimensions: ANSI B16.5
 Basic Design: API 603
 Test Standard: API 598

MATERIAL LIST			
NO.	Part Name	ASTM Specification (Specs – Grades/Types)	
		A351	A351
1	Body	CF8 (304)	CF8M (316)
		A351-CF8	A351-CF8M
2	Seat-Integral	A351-CF8	A351-CF8M
	Hardfaced Seat Ring/Surface	A182-F304/CoCr-A	A182-F316/CoCr-A
3	Gate	A351-CF8	A351-CF8M
	Hardfaced Gate/Seating Surface	A351-CF8/CoCr-A	A351-CF8M/CoCr-A
4	Stem	A182-F304	A182-F316
5	Gasket	304/Graphite Corrugated	316/Graphite Corrugated
6	Bonnet	A351-CF8	A351-CF8M
7	Bonnet Bolt Nut	A194-8	A194-8
8	Bonnet Bolt	A193-B8	A193-B8
9	Packing	Braided Graphite & Die Formed Graphite Ring	Braided Graphite & Die Formed Graphite Ring
10	Eye Bolt Pins	A276-316	A276-316
11	Gland	A276-304	A276-316
12	Eye Bolts	A193-B8	A193-B8
13	Gland Flange	A351-CF8	A351-CF8M
14	Eye Bolt Nut	A194-8	A194-8
15	Opnut	A439 Gr. D2C	A439 Gr. D2C
16	Grease Nipple	A276-316	A276-316
17	Handwheel	Malleable Iron	Malleable Iron
18	Handwheel Nut	Carbon Steel	Carbon Steel
19	Set Screw	Carbon Steel	Carbon Steel

NOTE: Seat rings on valves less than 2 NPS are swedged into the valve body.

DIMENSIONS AND WEIGHTS														
Size	NPS	1/2	3/4	1	1-1/2	2	2-1/2	3	4	5	6	8	10	12
L (RF)	In	4.25	4.60	5.00	6.50	7.00	7.50	8.00	9.00	10.00	10.50	11.50	13.00	14.00
	Mm	108	117	127	165	178	190	203	229	254	267	292	330	356
L (RTJ)	In	N/A	N/A	5.5	7.00	7.50	8.00	8.50	9.50	10.50	11.00	12.00	13.50	14.50
	Mm	N/A	N/A	140	178	191	203	216	241	267	279	305	343	368
L (BW)	In	4.25	4.60	5.00	6.50	8.50	9.50	11.12	12.00	15.00	15.88	16.50	18.00	19.75
	Mm	108	117	127	165	216	241	283	305	381	403	419	457	502
B	In	0.50	0.71	0.95	1.44	2.00	2.50	3.00	4.02	5.00	6.00	8.00	10.00	12.00
	Mm	12.7	18	24	36.5	51	64	76	102	127	152	203	254	305
H (Closed)	In	5.83	6.75	7.87	9.68	12.62	13.38	16.00	18.90	20.5	23.43	28.94	35.81	40.75
	Mm	148	171	200	246	320	340	405	480	520	595	735	910	1035
H (Open)	In	6.30	7.60	9.00	1.04	15.38	15.62	19.88	23.62	26.00	30.50	37.81	47.25	54.12
	Mm	160	193	229	280	390	396	505	600	660	775	960	1200	1375
W	In	3.94	4.18	6.30	7.09	8	8	10	10	12	12	12	14	16
	Mm	100	106	160	180	200	200	250	250	300	300	300	350	400
WT	LB	8.77	13.50	19.93	34.17	28.5	39.5	51	80	103.5	128	196	284	441
	KG	3.98	6.12	9.04	15.5	13	18	23	36	47	58	89	129	200

Gate Valve Class 300



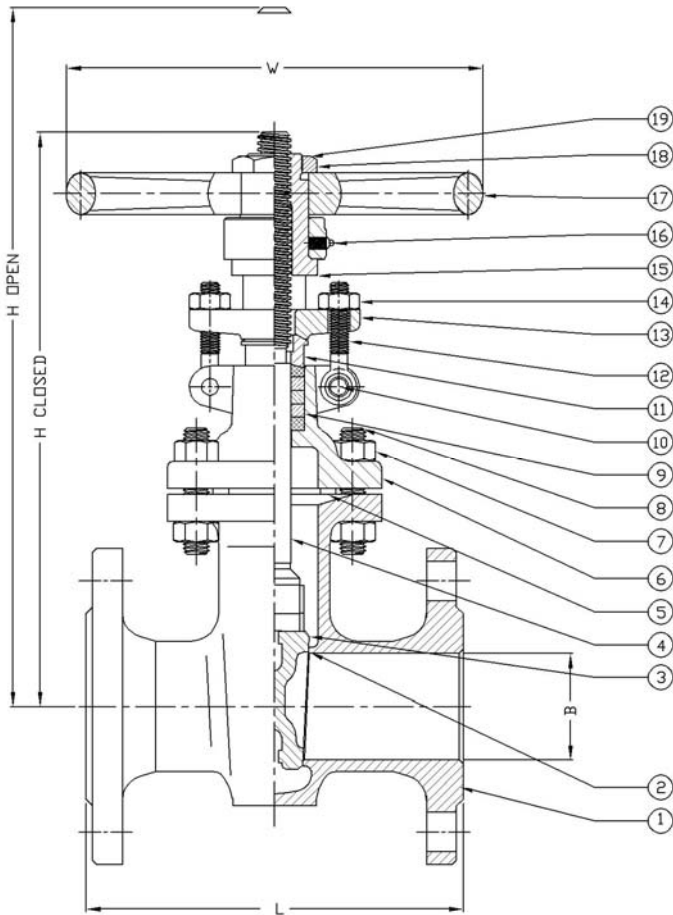
Standards:
 Face to Face Dimensions: ANSI B16.10
 End Flange Dimensions: ANSI B16.5
 Basic Design: API 603
 Test Standard: API 598

MATERIAL LIST			
NO.	Part Name	ASTM Specification (Specs - Grades/Types)	
		A351	A351
1	Body	CF8 (304)	CF8M (316)
		A351-CF8	A351-CF8M
2	Seat-Integral	A351-CF8	A351-CF8M
	Hardfaced Seat Ring/Surface	A182-F304/CoCr-A	A182-F316/CoCr-A
3	Gate	A351-CF8	A351-CF8M
	Hardfaced Gate/Seating Surface	A351-CF8/CoCr-A	A351-CF8M/CoCr-A
4	Stem	A182-F304	A182-F316
5	Gasket	304/Graphite	316/Graphite
6	Bonnet	A351-CF8	A351-CF8M
7	Bonnet Bolt Nut	A194-8	A194-8
8	Bonnet Bolt	A193-B8	A193-B8
9	Packing	Braided Graphite & Die Formed Graphite Ring	Braided Graphite & Die Formed Graphite Ring
10	Eye Bolt Pins	A276-316	A276-316
11	Gland	A276-304	A276-316
12	Eye Bolts	A193-B8	A193-B8
13	Gland Flange	A351-CF8	A351-CF8M
14	Eye Bolt Nut	A194-8	A194-8
15	Opnut	A439 Gr. D2C	A439 Gr. D2C
16	Grease Nipple	A276-316	A276-316
17	Handwheel	Malleable Iron	Malleable Iron
18	Handwheel Nut	Carbon Steel	Carbon Steel
19	Set Screw	Carbon Steel	Carbon Steel

NOTE: Seat rings on valves less than 2 NPS are swaged into the valve body.

DIMENSIONS AND WEIGHTS														
Size	NPS	1/2	3/4	1	1-1/2	2	2-1/2	3	4	5	6	8	10	12
L (RF)	In	5.50	6.00	6.50	7.50	8.50	9.50	11.12	12.00	15.00	15.88	16.50	18.00	19.75
	Mm	140	152	165	190	216	241	283	305	381	403	419	457	502
L (RTJ)	In	6.00	6.50	7.00	8.0	9.12	10.12	11.75	12.62	15.62	16.50	17.12	18.62	20.37
	Mm	151	165	178	203	232	257	298	321	397	419	435	473	518
L (BW)	In	5.50	6.00	6.50	7.50	8.50	9.50	11.12	12.00	15.00	15.88	16.50	18.00	19.75
	Mm	140	152	165	190	216	241	283	305	381	403	419	457	502
B	In	0.50	0.75	1.00	1.50	2.00	2.50	3.00	4.02	5.00	6.00	8.00	10.00	12.00
	Mm	12.7	19.1	25.4	38.1	51	64	76	102	127	152	203	254	305
H (Closed)	In	5.83	6.75	7.87	9.68	14.12	15.12	17.51	19.50	21.75	24.81	30.91	TBD	TBD
	Mm	148	171	200	246	358	384	445.0	495	552	630	785	TBD	TBD
H (Open)	In	6.30	7.60	9.00	1.04	16.75	17.87	21.68	24.25	27.12	31.75	39.97	TBD	TBD
	Mm	160	193	229	280	425	454	550	615	689	805	1015	TBD	TBD
W	In	3.94	3.94	4.72	5.51	7.87	7.87	9.84	9.84	11.81	13.78	15.75	17.82	19.68
	Mm	100	100	120	140	200	200	250	250	300	350	400	450	500
WT	LB	10.78	15.94	23.25	39.68	50.75	77.18	97.00	139.0	194.0	260.12	392.5		
	KG	4.89	7.23	10.55	18.0	23	35	44	63	88	118	178		

Gate Valve Class 600



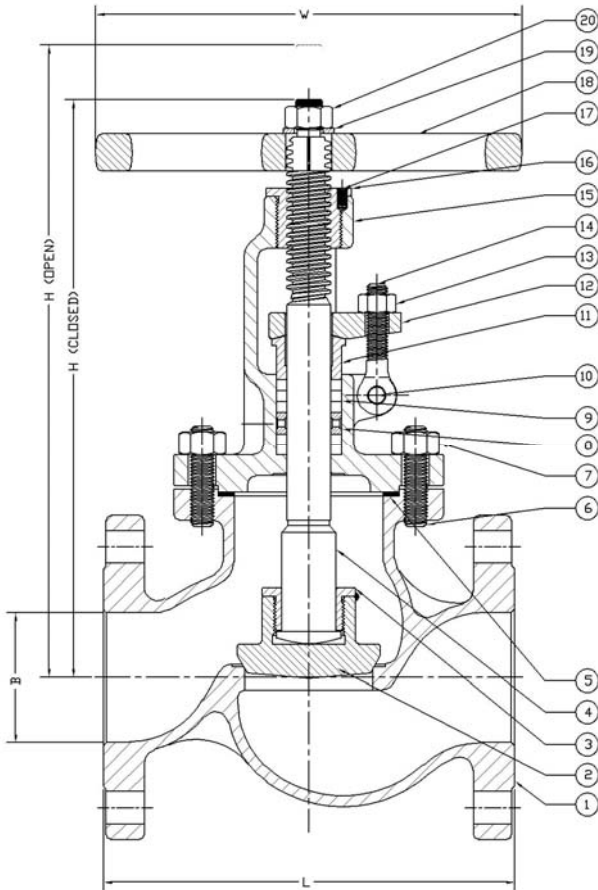
Standards:
 Face to Face Dimensions: ANSI B16.10
 End Flange Dimensions: ANSI B16.5
 Basic Design: API 603
 Test Standard: API 598

MATERIAL LIST			
NO.	Part Name	ASTM Specification (Specs - Grades/Types)	
		A351	A351
1	Body	CF8 (304)	CF8M (316)
2	Seat-Integral	A351-CF8	A351-CF8M
	Hardfaced Seat Ring/Surface	A182-F304/CoCr-A	A182-F316/CoCr-A
3	Gate	A351-CF8	A351-CF8M
	Hardfaced Gate/Seating Surface	A351-CF8/CoCr-A	A351-CF8M/CoCr-A
4	Stem	A182-F304	A182-F316
5	Gasket	304/Graphite	316/Graphite
6	Bonnet	A351-CF8	A351-CF8M
7	Bonnet Bolt Nut	A194-8	A194-8
8	Bonnet Bolt	A193-B8	A193-B8
9	Packing	Braided Graphite & Die Formed Graphite Ring	Braided Graphite & Die Formed Graphite Ring
10	Eye Bolt Pins	A276-316	A276-316
11	Gland	A276-304	A276-316
12	Eye Bolts	A193-B8	A193-B8
13	Gland Flange	A351-CF8	A351-CF8M
14	Eye Bolt Nut	A194-8	A194-8
15	Opnut	A439 Gr. D2C	A439 Gr. D2C
16	Grease Nipple	A276-316	A276-316
17	Handwheel	Malleable Iron	Malleable Iron
18	Handwheel Nut	Carbon Steel	Carbon Steel
19	Set Screw	Carbon Steel	Carbon Steel

NOTE: Seat rings on valves less than 2 NPS are swaged into the valve body.

DIMENSIONS AND WEIGHTS														
Size	NPS	1/2	3/4	1	1-1/2	2	2-1/2	3	4	5	6	8	10	12
L (RF)	In	6.50	7.50	8.50	9.50	11.50	13.00	14.00	17.00	20.00	22.00	26.00	31.00	33.00
	Mm	165.0	190.0	216.0	241.0	292	330	356	432	508	559	660	787	838
L (RTJ)	In	6.42	7.50	8.50	9.50	11.62	13.12	14.12	17.12	20.12	22.12	26.12	31.12	33.12
	Mm	163.0	190.0	216.0	241.0	295	333	359	435	511	562	663	790	841
L (BW)	In	6.50	7.50	8.50	9.50	11.50	13.00	14.00	17.00	20.00	22.00	26.00	31.00	33.00
	Mm	165.0	190.0	216.0	241.0	292	330	356	432	508	559	660	787	838
B	In	0.50	0.75	1.00	1.50	2.00	2.50	3.00	4.02	5.00	6.00	7.87	9.76	11.73
	Mm	12.7	19.1	25.4	38.1	51	64	76	102	127	152	200	248	298
H (Closed)	In	5.83	6.75	7.87	9.68	13.43	14.81	16.06	19.72	22.06	24.38	30.82	TBD	TBD
	Mm	148	171	200	246	341	376	408	501	560	619	783	TBD	TBD
H (Open)	In	6.30	7.60	9.00	1.04	15.78	17.81	19.81	25.00	28.12	31.18	40.25	TBD	TBD
	Mm	160	193	229	280	401	452	503	635	714	792	1022	TBD	TBD
W	In	3.94	3.94	4.72	5.51	9.84	9.84	11.81	13.78	15.75	17.82	19.68	25.20	25.20
	Mm	100	100	120	140	250	250	300	350	400	450	500	640	640
WT	LB	12.79	19.40	29.50	43.00	70.5	127.9	187.5	229.3	361.5	450.0	730.0		
	KG	5.80	8.80	13.38	19.50	32	58	85	104	164	204	331		

Globe Valve Class 150

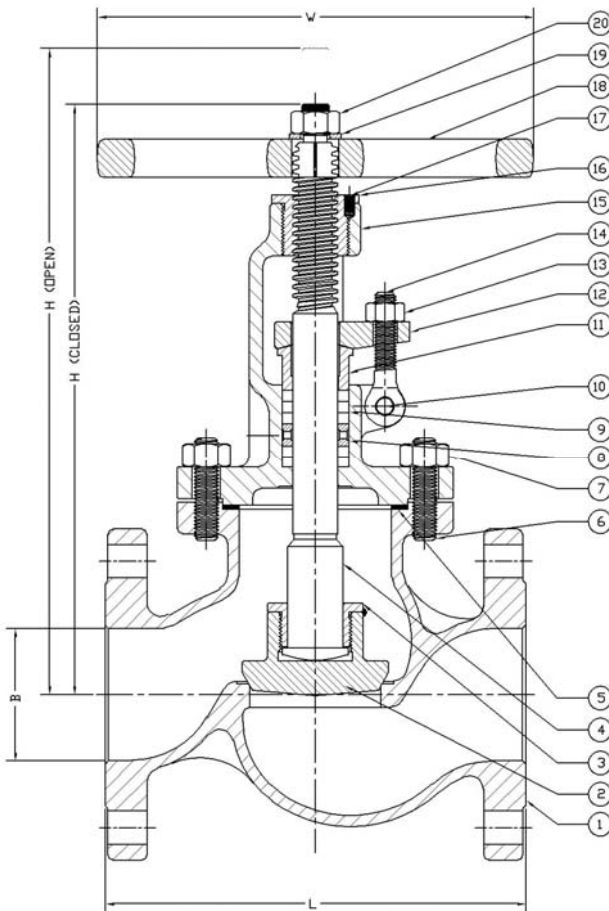


Standards:
 Face to Face Dimensions: ANSI B16.10
 End Flange Dimensions: ANSI B16.5
 Basic Design: ASME B16.34
 Test Standard: API 598

MATERIAL LIST			
NO.	Part Name	ASTM Specification (Specs - Grades/Types)	
		A351	A351
		CF8 (304)	CF8M (316)
1	Body/Seat	A351-CF8	A351-CF8M
2	Disc	A182-F304	A182-F316
3	Disc Nut	A276-304	A276-316
4	Stem	A182-F304	A182-F316
5	Gasket	304/Graphite	316/Graphite
6	Bonnet Bolt	A193-B8	A193-B8
7	Bonnet Bolt Nut	A194-8	A194-8
8	Lantern Ring	A276-304	A276-316
9	Packing	Braided Graphite & Die Formed Graphite Ring	Braided Graphite & Die Formed Graphite Ring
10	Eye Bolt Pins	A276-316	A276-316
11	Gland	A276-304	A276-316
12	Gland Flange	A351-CF8	A351-CF8M
13	Eye Bolt Nut	A194-8	A194-8
14	Eye Bolts	A193-B8	A193-B8
15	Bonnet	A351-CF8	A351-CF8M
16	Set Screw	Carbon Steel	Carbon Steel
17	Opnut	A439 Gr. D2C	A439 Gr. D2C
18	Handwheel	Malleable Iron	Malleable Iron
19	Washer	Carbon Steel	Carbon Steel
20	Handwheel Nut	Carbon Steel	Carbon Steel

DIMENSIONS AND WEIGHTS														
Size	NPS	1/2	3/4	1	1-1/2	2	2-1/2	3	4	5	6	8	10	12
L (RF)	In	4.25	4.60	5.00	6.50	8.00	8.50	9.50	11.50	14.00	16.00	19.50	24.50	27.50
	Mm	108	117	127	165	203	216	241	292	356	406	495	622	698
L (RTJ)	In	N/A	N/A	5.50	7.00	8.50	9.00	10.00	12.00	14.50	16.50	20.00	25.00	28.00
	Mm	N/A	N/A	140.0	178.0	216	229	254	305	368	419	508	635	711
L (BW)	In	4.25	4.60	5.00	6.50	8.00	8.50	9.50	11.50	14.00	16.00	19.50	24.50	27.50
	Mm	108	117	127	165	203	216	241	292	356	406	495	622	699
B	In	0.50	0.75	1.00	1.50	2.00	2.50	3.00	4.02	5.00	6.00	8.00	10.00	12.00
	Mm	12.7	19.1	25.4	38.1	51	64	76	102	127	152	203	254	305
H (Closed)	In	5.83	5.98	7.06	9.13	11.62	11.75	14.18	16.15	17.50	18.70	20.78	TBD	TBD
	Mm	148	152	179	232	295	298	360	410	444	475	528	TBD	TBD
H (Open)	In	6.18	6.38	7.56	9.92	12.60	12.91	15.56	17.91	19.50	21.06	22.06	TBD	TBD
	Mm	157	162	192	252	320	328	395	455	495	535	560	TBD	TBD
W	In	3.94	3.94	4.72	5.51	7.87	9.84	9.84	11.81	11.81	13.78	15.75	17.72	19.68
	Mm	100	100	120	140	200	250	250	300	300	350	400	450	500
WT	LB	8.81	13.65	21.15	37.50	39.75	53.00	66.12	99.25	136.7	194.0			
	KG	4.0	6.2	9.6	17.0	18.0	24.0	30.0	45.0	62.0	88.0			

Globe Valve Class 300



Standards:

Face to Face Dimensions: ANSI B16.10

End Flange Dimensions: ANSI B16.5

Basic Design: ASME B16.34

Test Standard: API 598

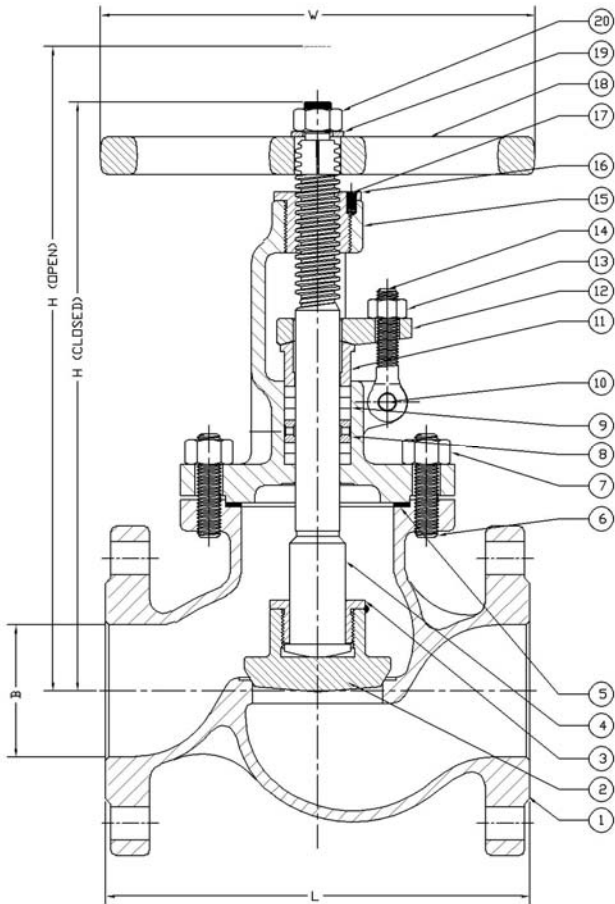
MATERIAL LIST

NO.	Part Name	ASTM Specification (Specs – Grades/Types)	
		A351	A351
1	Body/Seat	CF8 (304)	CF8M (316)
2	Disc	A351-CF8	A351-CF8M
3	Disc Nut	A182-F304	A182-F316
4	Stem	A276-304	A276-316
5	Gasket	A182-F304	A182-F316
6	Bonnet Bolt	304/Graphite	316/Graphite
7	Bonnet Bolt Nut	A193-B8	A193-B8
8	Lantern Ring	A194-8	A194-8
9	Packing	A276-304	A276-316
10	Eye Bolt Pins	Braided Graphite & Die Formed Graphite Ring	Braided Graphite & Die Formed Graphite Ring
11	Gland	A276-316	A276-316
12	Gland Flange	A276-304	A276-316
13	Eye Bolt Nut	A351-CF8	A351-CF8M
14	Eye Bolts	A194-8	A194-8
15	Bonnet	A193-B8	A193-B8
16	Set Screw	A351-CF8	A351-CF8M
17	Opnut	Carbon Steel	Carbon Steel
18	Handwheel	A439 Gr. D2C	A439 Gr. D2C
19	Washer	Malleable Iron	Malleable Iron
20	Handwheel Nut	Carbon Steel	Carbon Steel

DIMENSIONS AND WEIGHTS

Size	NPS	1/2	3/4	1	1-1/2	2	2-1/2	3	4	5	6	8	10	12
L (RF)	In	6.00	7.00	8.00	9.00	10.50	11.50	12.50	14.00	15.75	17.50	22.00	24.50	28.00
	Mm	152	178	203	229	267	292	318	356	400	444	559	622	711
L (RTJ)	In	6.42	7.50	8.50	9.50	11.13	12.13	13.13	14.63	16.38	18.13	22.63	25.13	28.63
	Mm	163	191	216	242	283	308	333	371	416	460	575	638	727
L (BW)	In	6.00	7.00	8.00	9.00	10.50	11.50	12.50	14.00	15.75	17.50	22.00	24.50	28.00
	Mm	152	178	203	229	267	292	318	356	400	444	559	622	711
B	In	0.50	0.75	1.00	1.50	2.00	2.50	3.00	4.02	4.94	6.00	8.00	10.00	12.00
	Mm	12.7	19.1	25.4	38.1	51	64	76	102	125.5	152	203	254	305
H (Closed)	In	5.83	5.98	7.06	9.13	12.40	13.21	15.15	17.50	18.87	20.87	21.81	TBD	TBD
	Mm	148	152	179	232	315	336	385	445	480	530	554	TBD	TBD
H (Open)	In	6.18	6.38	7.56	9.92	13.38	15.18	16.53	19.30	21.25	23.22	23.00	TBD	TBD
	Mm	157	162	192	252	340	386	420	490	540	590	584	TBD	TBD
W	In	3.94	3.94	4.72	5.51	7.87	9.84	9.84	11.81	13.78	15.75	19.68	22.05	22.05
	Mm	100	100	120	140	200	250	250	300	350	400	500	560	560
WT	LB	17.20	27.56	37.50	85.54	48.50	75.00	101.5	143.2	209.5	262.3			
	KG	7.8	12.5	17.0	38.8	22.0	34.0	46.0	65.0	95.0	119.0			

Globe Valve Class 600



Standards:

Face to Face Dimensions: ANSI B16.10
 End Flange Dimensions: ANSI B16.5
 Basic Design: ASME B16.34
 Test Standard: API 598

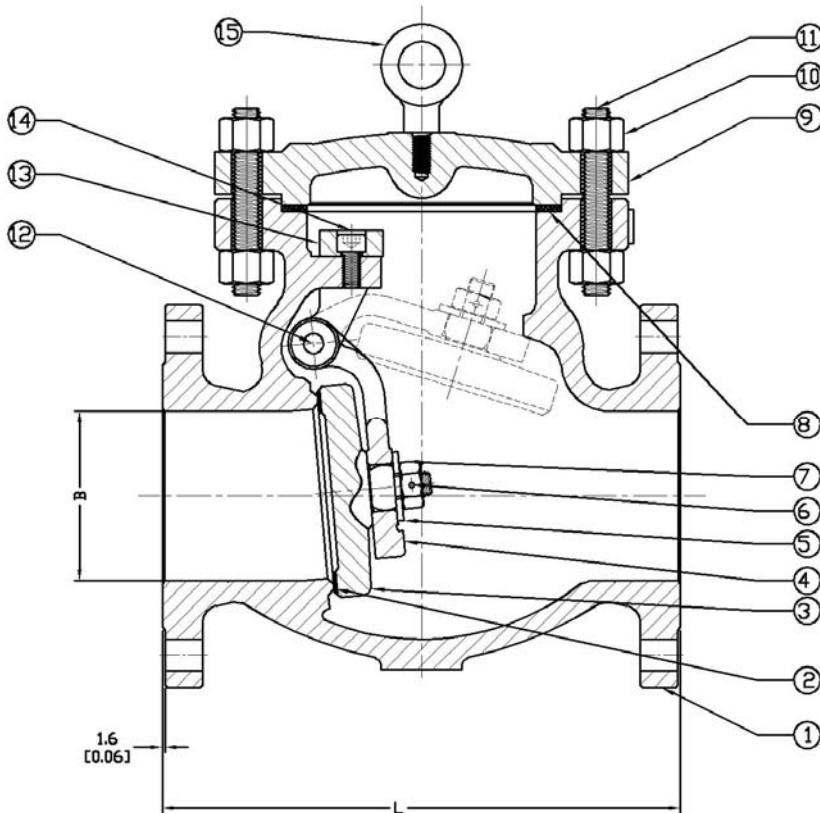
MATERIAL LIST

NO.	Part Name	ASTM Specification (Specs – Grades/Types)	
		A351	A351
		CF8 (304)	CF8M (316)
1	Body/Seat	A351-CF8	A351-CF8M
2	Disc	A182-F304	A182-F316
3	Disc Nut	A276-304	A276-316
4	Stem	A182-F304	A182-F316
5	Gasket	304/Graphite	316/Graphite
6	Bonnet Bolt	A193-B8	A193-B8
7	Bonnet Bolt Nut	A194-8	A194-8
8	Lantern Ring	A276-304	A276-316
9	Packing	Braided Graphite & Die Formed Graphite Ring	Braided Graphite & Die Formed Graphite Ring
10	Eye Bolt Pins	A276-316	A276-316
11	Gland	A276-304	A276-316
12	Gland Flange	A351-CF8	A351-CF8M
13	Eye Bolt Nut	A194-8	A194-8
14	Eye Bolts	A193-B8	A193-B8
15	Bonnet	A351-CF8	A351-CF8M
16	Set Screw	Carbon Steel	Carbon Steel
17	Opnut	A439 Gr. D2C	A439 Gr. D2C
18	Handwheel	Malleable Iron	Malleable Iron
19	Washer	Carbon Steel	Carbon Steel
20	Handwheel Nut	Carbon Steel	Carbon Steel

DIMENSIONS AND WEIGHTS

Size	NPS	1/2	3/4	1	1-1/2	2	2-1/2	3	4	6	8	10	12
L (RF)	In	6.50	7.50	8.50	9.50	11.50	13.00	14.00	17.00	22.00	26.00	31.00	33.00
	Mm	165	190	216	241	292	330	356	432	559	660	787	838
L (RTJ)	In	6.42	7.50	8.50	9.50	11.63	13.13	14.13	17.13	22.13	26.13	31.13	33.13
	Mm	163	190	216	241	295	333	359	435	562	664	791	842
L (BW)	In	6.50	7.50	8.50	9.50	11.50	13.00	14.00	17.00	22.00	26.00	31.00	33.00
	Mm	165	190	216	241	292	330	356	432	559	660	787	838
B	In	0.50	0.75	1.00	1.50	2.00	2.50	3.00	4.02	6.00	8.00	10.00	12.00
	Mm	12.7	19.1	25.4	38.1	51	64	76	102	152	203	254	305
H (Closed)	In	5.83	5.98	7.06	9.13	13.58	16.25	16.73	19.50	27.44	32.68	TBD	TBD
	Mm	148	152	179	232	345	413	425	495	697	830	TBD	TBD
H (Open)	In	6.18	6.38	7.56	9.92	15.94	17.44	18.12	19.50	28.62	33.87	TBD	TBD
	Mm	157	162	192	252	405	443	460	495	727	860	TBD	TBD
W	In	3.94	3.94	4.72	5.51	9.84	11.81	13.78	15.75	19.68	22.05	25.20	27.56
	Mm	100	100	120	140	250	300	350	400	500	560	640	700
WT	LB	17.20	27.56	37.50	85.54	61.75	88.18	116.8	196.2				
	KG	7.8	12.5	17.0	38.8	28.0	40.0	53.0	89.0				

Globe Valve Class 300



Standards:

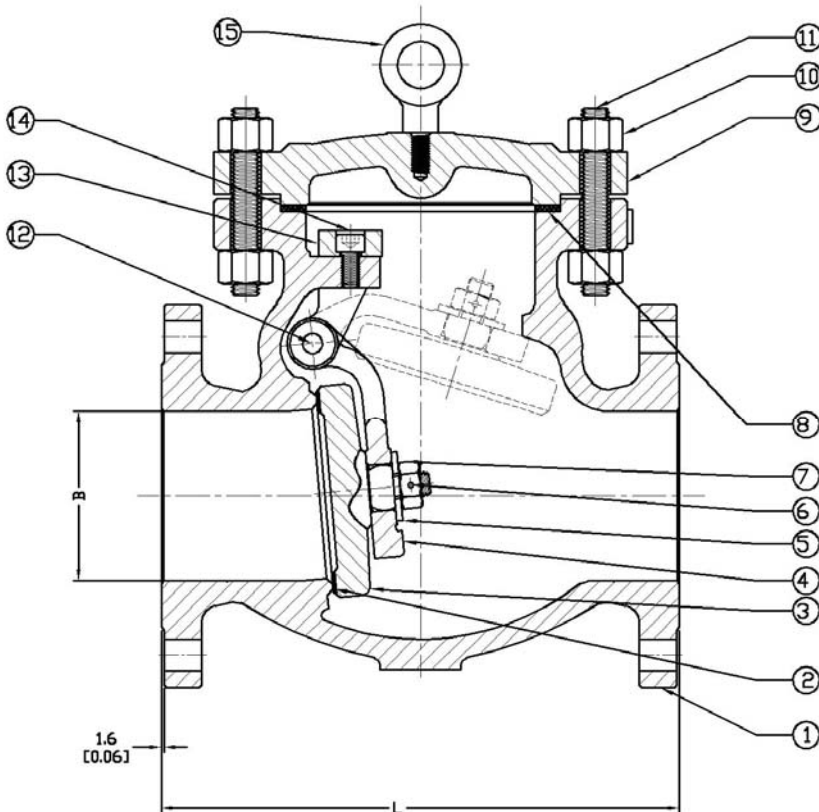
Face to Face Dimensions: ANSI B16.10
 End Flange Dimensions: ANSI B16.5
 Basic Design: ASME B16.34
 Test Standard: API 598

MATERIAL LIST			
NO.	Part Name	ASTM Specification (Specs – Grades/Types)	
		A351	A351
		CF8 (304)	CF8M (316)
1	Body	A351-CF8	A351-CF8M
2	Seat-Integral	A351-CF8	A351-CF8M
3	Disc	A182-F304	A182-F316
4	Swing Arm	A351-CF8	A351-CF8M
5	Washer	A276-316	A276-316
6	Pin	A276-316	A276-316
7	Hex Nut	A194-8	A194-8
8	Gasket	304/Graphite	316/Graphite
9	Cover	A351-CF8	A351-CF8M
10	Body Nut	A194-8A	A194-8A
11	Body Stud	A193-B8M	A193-B8M
12	Hinge Pin	A193-B8M	A193-B8M
13	Hinge Plate	A351-CF8	A351-CF8M
14	Bolt	A194-8A	A194-8A
15	Lifting Eye (6" and larger)	Carbon Steel	Carbon Steel

NOTE: Seat rings on valves less than 2 NPS are swaged into the valve body.
 12" valves features an external access hinge pin.

DIMENSIONS AND WEIGHTS														
Size	NPS	1/2	3/4	1	1-1/2	2	2-1/2	3	4	5	6	8	10	12
L (RF)	In	4.25	4.60	5.00	6.50	8.00	8.50	9.50	11.50	13.00	14.00	19.50	24.50	27.50
	Mm	108	117	127	165	203	216	241	292	330	356	495	622	698
L (RTJ)	In	N/A	N/A	5.50	7.00	8.50	9.00	10.00	12.00	13.50	14.50	20.00	25.00	28.00
	Mm	N/A	N/A	140	178	216	229	254	305	343	368	508	635	711
L (BW)	In	4.25	4.60	5.00	6.50	8.00	8.50	9.50	11.50	13.00	14.00	19.50	24.50	27.50
	Mm	108	117	127	165	203	216	241	292	330	356	495	622	698
B	In	0.50	0.75	1.00	1.50	2.00	2.50	3.00	4.02	5.00	5.98	8.00	10.00	12.00
	Mm	12.7	19.1	25.4	38.1	51	64	76	102	127	152	203	254	305
WT	LB	10.14	18.75	20.29	27.63	30.85	41.88	50.75	81.50	114.5	143.25	238.0	360.0	514.0
	KG	4.6	8.5	9.2	12.5	14.0	19.0	23.0	37.0	52.0	65.0	108.0	163.0	233.0

Swing Check Valve Class 300



Standards:

Face to Face Dimensions: ANSI B16.10
 End Flange Dimensions: ANSI B16.5
 Basic Design: ASME B16.34
 Test Standard: API 598

MATERIAL LIST

NO.	Part Name	ASTM Specification (Specs - Grades/Types)	
		A351	A351
		CF8 (304)	CF8M (316)
1	Body	A351-CF8	A351-CF8M
2	Seat-Integral	A351-CF8	A351-CF8M
3	Disc	A182-F304	A182-F316
4	Swing Arm	A351-CF8	A351-CF8M
5	Washer	A276-316	A276-316
6	Pin	A276-316	A276-316
7	Hex Nut	A194-8	A194-8
8	Gasket	304/Graphite	316/Graphite
9	Cover	A351-CF8	A351-CF8M
10	Body Nut	A194-8A	A194-8A
11	Body Stud	A193-B8M	A193-B8M
12	Hinge Pin	A193-B8M	A193-B8M
13	Hinge Plate	A351-CF8	A351-CF8M
14	Bolt	A194-8A	A194-8A
15	Lifting Eye (6" and larger)	Carbon Steel	Carbon Steel

NOTE: Seat rings on valves less than 2 NPS are swaged into the valve body.
 10 & 12" valves feature an external access hinge pin.

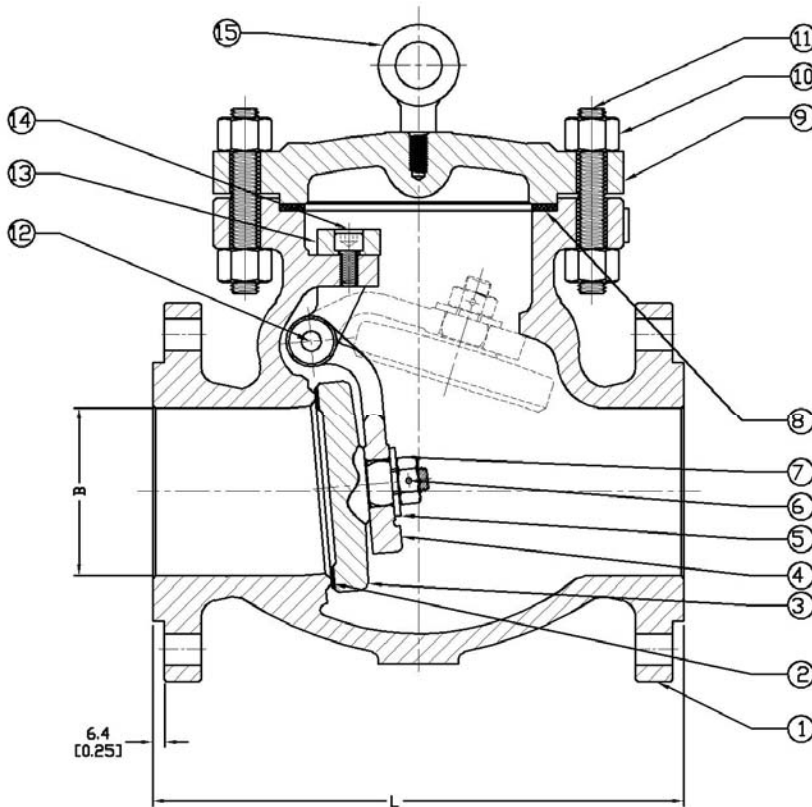
DIMENSIONS AND WEIGHTS

Size	NPS	1/2	3/4	1	1-1/2	2	2-1/2	3	4	5	6	8	10	12
L (RF)	In	6.00	7.00	8.50	9.50	10.50	11.50	12.50	14.00	15.75	17.50	21.00	24.50	28.00
	Mm	152	178	216	241	267	292	318	356	400	444	533	622	711
L (RTJ)	In	6.42	7.50	9.00	10.00	11.13	12.13	13.13	14.63	16.38	18.13	21.63	25.13	28.63
	Mm	163	191	229	254	283	308	333	371	416	460	549	638	727
L (BW)	In	6.00	7.00	8.50	9.50	10.50	11.50	12.50	14.00	15.75	17.50	21.00	24.50	28.00
	Mm	152	178	216	241	267	292	318	356	400	444	533	622	711
B	In	0.50	0.75	1.00	1.50	2.00	2.50	3.00	4.00	5.00	6.00	8.00	10.00	12.00
	Mm	12.7	19.1	25.4	38.1	51	63.5	76	102	127	152	203	254	304
WT	LB	10.58	19.4	21.16	39.24	41.88	61.75	79.50	119.0	174.0	223.0			
	KG	4.8	8.8	9.6	17.8	19.0	28.0	36.0	54.0	79.0	101.0			

Swing Check Valve Class 600

Standards:

Face to Face Dimensions: ANSI B16.10
 End Flange Dimensions: ANSI B16.5
 Basic Design: ASME B16.34
 Test Standard: API 598



MATERIAL LIST			
NO.	Part Name	ASTM Specification (Specs - Grades/Types)	
		A351	A351
		CF8 (304)	CF8M (316)
1	Body	A351-CF8	A351-CF8M
2	Seat-Integral	A351-CF8	A351-CF8M
3	Disc	A182-F304	A182-F316
4	Swing Arm	A351-CF8	A351-CF8M
5	Washer	A276-316	A276-316
6	Pin	A276-316	A276-316
7	Hex Nut	A194-8	A194-8
8	Gasket	304/Graphite	316/Graphite
9	Cover	A351-CF8	A351-CF8M
10	Body Nut	A194-8A	A194-8A
11	Body Stud	A193-B8M	A193-B8M
12	Hinge Pin	A193-B8M	A193-B8M
13	Hinge Plate	A351-CF8	A351-CF8M
14	Bolt	A194-8A	A194-8A
15	Lifting Eye (6" and larger)	Carbon Steel	Carbon Steel

NOTE: Seat rings on valves less than 2 NPS are swaged into the valve body.

DIMENSIONS AND WEIGHTS													
Size	NPS	1/2	3/4	1	1-1/2	2	2-1/2	3	4	6	8	10	12
L (RF)	In	6.50	7.50	8.50	9.50	11.50	13.00	14.00	17.00	22.00	26.00	31.00	33.00
	Mm	165	190	216	241	292	330	356	432	559	660	787	838
L (RTJ)	In	6.42	7.50	8.50	9.50	11.63	13.13	14.13	17.13	22.13	26.13	31.13	33.13
	Mm	163	190	216	241	295	333	359	435	562	664	791	841
L (BW)	In	6.50	7.50	8.50	9.50	11.50	13.00	14.00	17.00	22.00	26.00	31.00	33.00
	Mm	165	190	216	241	292	330	356	432	559	660	787	838
B	In	0.50	0.75	1.00	1.50	2.00	2.50	3.00	4.00	5.98	7.87	9.76	11.73
	Mm	12.7	19.1	25.4	38.1	51	63.5	76	102	152	200	248	298
WT	LB	12.79	20.94	22.93	36.50	48.50	72.75	90.50	159.0	348.0			
	KG	5.8	9.5	10.4	16.5	22.0	33.0	41.0	72.0	158.0			

PRESSURE-TEMPERATURE RATINGS

PER ASME B16.5-2013

CF3M ⁽²⁾ & CF8M ⁽¹⁾	CLASS		
	150	300	600
Temp., °F			
-20 to 100	275	720	1440
200	235	620	1240
300	215	560	1120
400	195	515	1025
500	170	480	955
600	140	450	900
650	125	440	885
700	110	435	870
750	95	425	855
800	80	420	845
850	65	420	835
900	50	415	830
950	35	385	775
1000	20	365	725
1050	-	360	720
1100	-	305	610
1150	-	235	475
1200	-	185	370
1250	-	145	295
1300	-	115	235
1350	-	95	190
1400	-	75	150
1450	-	60	115
1500	-	40	85
(1) At temperatures over 1,000°F, use only when the carbon content is over 0.04% or higher. (2) Not to be used over 850°F.			

CF3 ⁽²⁾ & CF8 ⁽¹⁾	CLASS		
	150	300	600
Temp., °F			
-20 to 100	275	720	1440
200	230	600	1200
300	205	540	1075
400	190	498	995
500	170	465	930
600	140	440	885
650	125	430	865
700	110	420	845
750	95	415	825
800	80	405	810
850	65	395	790
900	50	390	780
950	35	380	765
1000	20	355	710
1050	-	325	650
1100	-	255	515
1150	-	205	410
1200	-	165	330
1250	-	135	265
1300	-	115	225
1350	-	95	185
1400	-	75	150
1450	-	60	115
1500	-	40	85
(1) At temperatures over 1,000°F, use only when the carbon content is over 0.04% or higher. (2) Not to be used over 800°F.			