



## URINALS

	Concealed Sparge Wall Hung Urinal	<b>2</b>	Urinal Joining Assemblies	<b>6</b>
	Concealed Sparge Wall Hung Urinal Accessories	<b>3</b>	Single Stall & Bowl Urinals	<b>7</b>
	Floor Recessed Urinal	<b>4</b>		
	Floor Standing Urinal	<b>5</b>		


## WC PANS

	Shrouded WC Pans	<b>8</b>	Disabled Use WC Pans & Document M Accessories	<b>12</b>
	Clifton WC Suite	<b>9</b>	Barnfield WC Suite	<b>14</b>
	Wall Mounted WC Pan	<b>9</b>	Reading Combined Washbasin & WC Suite	<b>14</b>
	Rodbourne Pedestal WC Pans	<b>10</b>	Stainless Steel WC Cubicles	<b>15</b>


## CATERING EQUIPMENT

	Cleaners Sink & Cleaners Combination Unit	<b>16</b>	Catering Tables & Worktops	<b>23</b>
	Single Bowl Catering Sink Units with Frames	<b>17</b>	Catering Sink & Cupboard Units	<b>24</b>
	Double Bowl Catering Sink Units with Frames	<b>18</b>	Wall Mounted & Tall Cupboard Units	<b>25</b>
	Single Bowl Inset Sink Tops	<b>19</b>	Belfast Sink	<b>26</b>
	Double Bowl Inset Sink Tops	<b>20</b>	Play Sink	<b>26</b>
	Single Bowl Sit On Sink Tops	<b>21</b>	Special & Standard Size Self Rimming Bowls	<b>27</b>
	Double Bowl Sit On Sink Tops	<b>22</b>	Wall Mounted Shelf & Floor Standing Shelving Units	<b>28</b>


## HANDWASH EQUIPMENT

	Security Basins	<b>29</b>	Circular & Semi Circular Wash Troughs	<b>33</b>
	Vanity Units	<b>30</b>	Hand Rinse Units	<b>34</b>
	Compact Wall Mounted & Island Wash Troughs	<b>31</b>	Large Washbasins	<b>35</b>
	Wall Mounted Wash Troughs	<b>32</b>	Small Washbasins	<b>36</b>


## WASHROOM ACCESSORIES

	Mini Jumbo, Jumbo & Single Roll Toilet Tissue Dispensers	<b>38</b>	Horizontal & Vertical Soap Dispensers	<b>40</b>
	Bulk Pack Toilet Tissue Dispenser	<b>39</b>	Paper Towel Dispensers & Surface Mounted Hand Dryer	<b>41</b>
	Open Single & Double Roll Toilet Tissue Dispensers	<b>39</b>	Recessed Hand Dryer & Mirror	<b>42</b>
	Deck Mounted & Recessed Soap Dispensers	<b>40</b>	Baby Changing Tables	<b>43</b>


## DRINKING FOUNTAIN AND COOLER

	Wall Mounted Drinking Fountains	<b>44</b>	Pedestal Drinking Fountain	<b>45</b>
--	---------------------------------	-----------	----------------------------	-----------

## HOSPITAL EQUIPMENT

	Combined Sink & Hopper	<b>46</b>	Plaster Sinks	<b>52</b>
	Hopper with Grating & Hopper with Drainer	<b>48</b>	Surgeons Scrub up Troughs	<b>53</b>
	Floor Standing Hopper	<b>49</b>	High Back Surgeons Scrub up trough	<b>54</b>
	Hospital Sinks	<b>50</b>		

## SHOWER EQUIPMENT

	Free Standing & Floor Recessed Shower Tray	<b>55</b>	Terms & Conditions	<b>59</b>
	Wall mounted Shower Unit & Shower Column	<b>56</b>	Index	<b>60</b>
	Shower Cubicle	<b>57</b>		

## CONCEALED SPARGE WALL HUNG URINAL

SDS wall hung urinals are manufactured as one piece units from 304 grade stainless steel 1.2mm thick, with a smooth satin polished non reflective surface.

Flushing sparges on this model are concealed within a stainless steel cover for extra protection from damage in high risk areas.

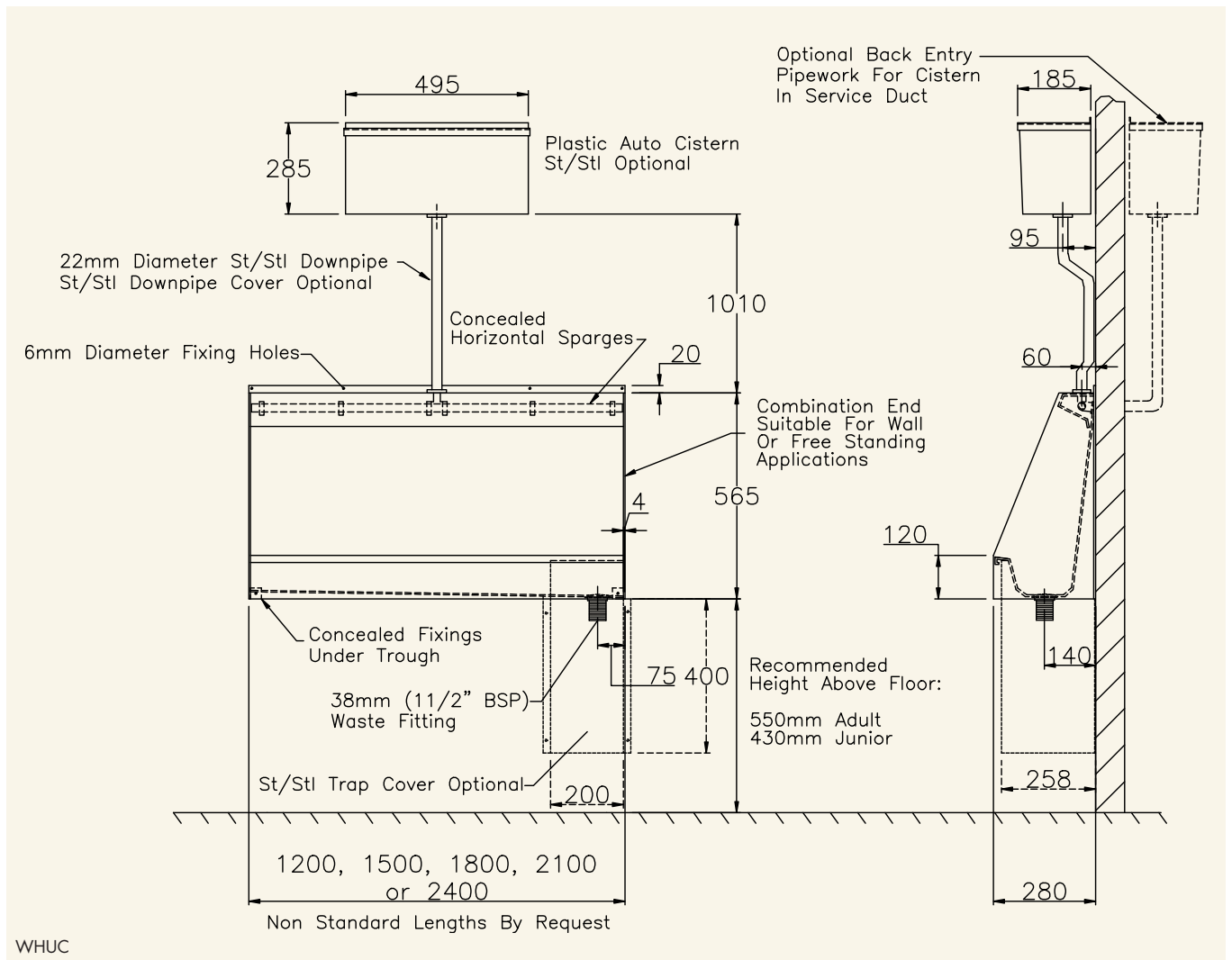
Wall hung urinals are supplied as standard with combination ends suitable for exposed or side wall applications, a plastic automatic flushing cistern, stainless steel 22mm downpipe, 38mm (1 1/2" BSP) waste fitting, downpipe clip & stainless steel fixing screws

### Options

- Non standard length
- Non standard waste position
- Back entry inlet connection
- Stainless steel automatic flushing cistern
- Stainless steel downpipe cover
- Stainless steel corner trap cover
- Stainless steel top hat trap cover
- L or U shaped units



1 WHUC Concealed Sparge Wall Hung Urinal (Accessories see p3)



WHUC

### PRODUCT DESCRIPTION

1200mm Concealed Sparge Wall Hung Urinal, L/H Outlet
1200mm Concealed Sparge Wall Hung Urinal, R/H Outlet
1200mm Concealed Sparge Wall Hung Urinal, Centre Outlet
1500mm Concealed Sparge Wall Hung Urinal, L/H Outlet
1500mm Concealed Sparge Wall Hung Urinal, R/H Outlet
1500mm Concealed Sparge Wall Hung Urinal, Centre Outlet
1800mm Concealed Sparge Wall Hung Urinal, L/H Outlet
1800mm Concealed Sparge Wall Hung Urinal, R/H Outlet
1800mm Concealed Sparge Wall Hung Urinal, Centre Outlet
2100mm Concealed Sparge Wall Hung Urinal, L/H Outlet
2100mm Concealed Sparge Wall Hung Urinal, R/H Outlet
2100mm Concealed Sparge Wall Hung Urinal, Centre Outlet
2400mm Concealed Sparge Wall Hung Urinal, L/H Outlet
2400mm Concealed Sparge Wall Hung Urinal, R/H Outlet

### ORDERING CODE

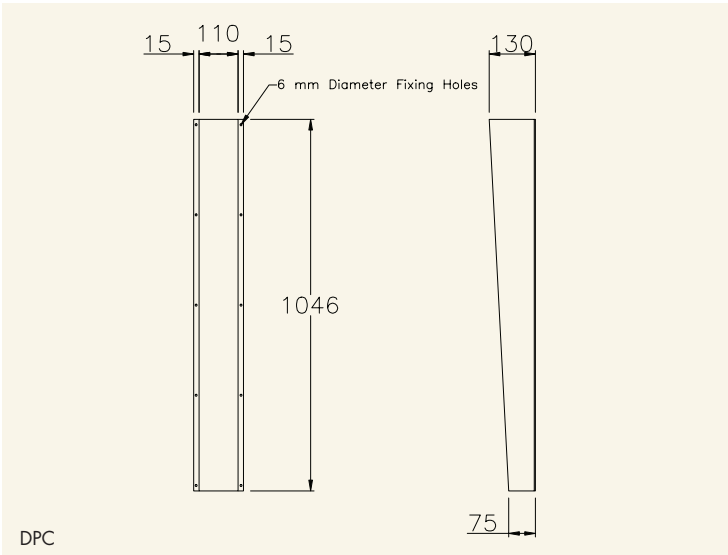
WHUC1200L
WHUC1200R
WHUC1200C
WHUC1500L
WHUC1500R
WHUC1500C
WHUC1800L
WHUC1800R
WHUC1800C
WHUC2100L
WHUC2100R
WHUC2100C
WHUC2400L
WHUC2400R

# CONCEALED SPARGE WALL HUNG URINAL ACCESSORIES

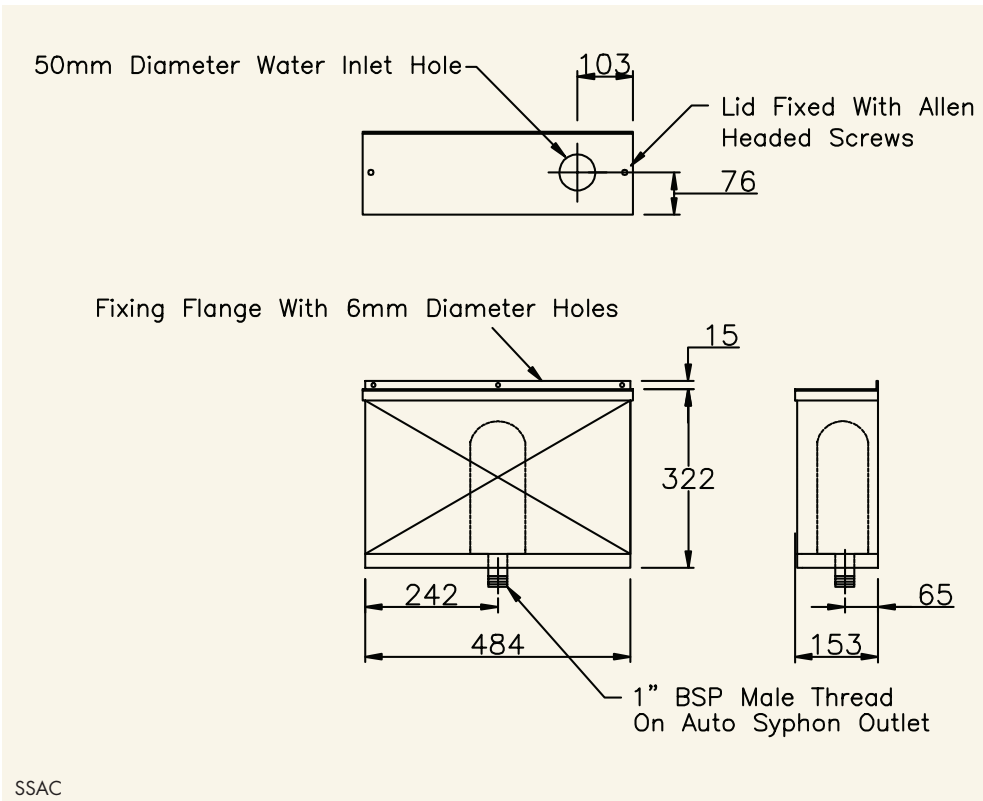
## STAINLESS STEEL AUTOMATIC CISTERN

Designed for automatic flushing of most types of urinal a Stainless Steel Automatic Cistern can be ordered with a urinal as an alternative to the supplied Plastic Auto Cistern, or as a separate product for an existing installation.

Manufactured from 304 grade stainless steel the cistern is available in 3 capacities (4.5, 9 or 13.5 litres) and is supplied with an automatic siphon, 1" BSP connection for a 22mm down pipe, petcock and lid.



DPC



SSAC

- 1 DPC down pipe cover
- 2 SSAC stainless steel automatic flushing cistern
- 3 CTC corner trap cover
- 4 THTC top-hat trap cover

**PRODUCT DESCRIPTION**

**ORDERING CODE**

4.5 Litre Stainless Steel Automatic Cistern	SAC4
9 Litre Stainless Steel Automatic Cistern	SAC9
13.5 Litre Stainless Steel Automatic Cistern	SAC13
Downpipe Cover	DPC
Corner Trap Cover	CTC
Top Hat Trap Cover	THTC

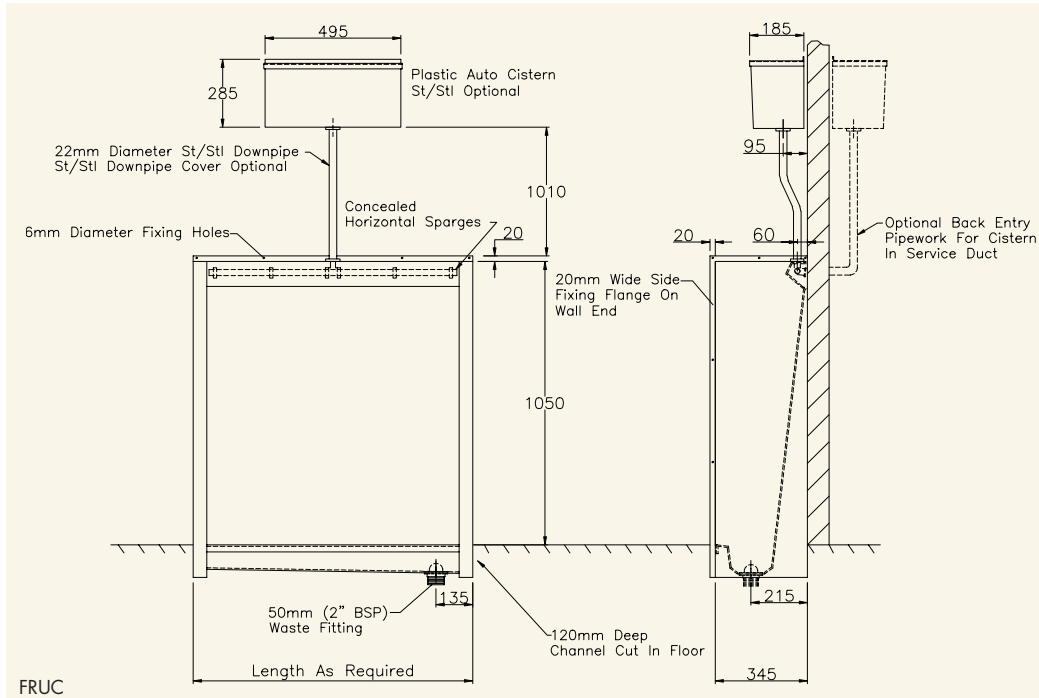
urinals

# FLOOR RECESSED URINAL

SDS floor recessed urinals are manufactured as one piece units from 304 grade stainless steel 1.2mm thick, with a smooth satin polished non reflective surface.

The horizontal flushing spargers have a top entry inlet as standard and are supplied concealed within a stainless steel box.

Floor recessed urinals are supplied with wall fixed or free standing ends, a plastic automatic flushing cistern, stainless steel downpipe, 50mm (2" BSP) waste fitting to left or right hand end, downpipe clip & stainless steel fixing screws.

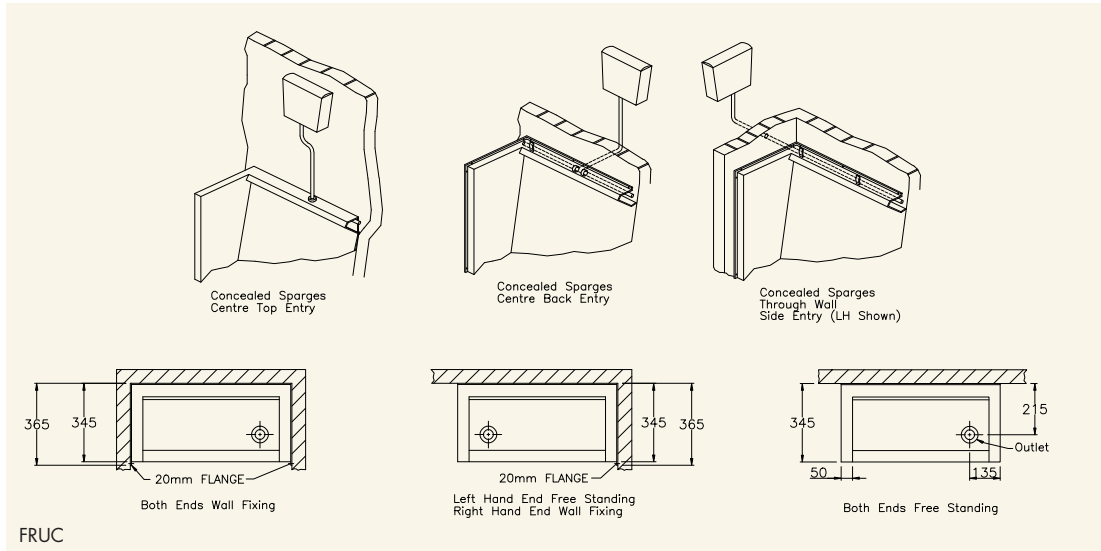


- Options**
- Non standard waste position
  - Back or side entry inlet connection
  - Stainless steel automatic flushing cistern
  - Stainless steel downpipe cover
  - L or U shaped units

**1** FRUC Concealed Sparge floor recessed urinal

**2** Plastic automatic flushing cistern

**3** Optional stainless steel automatic flushing cistern



PRODUCT DESCRIPTION	ORDERING CODE
Concealed sparge floor recessed urinal	FRUC

**Additional information required for ordering - add length required to the above ordering code followed by the appropriate letters for ends (left hand first) and outlet position**

Overall length of urinal	(In Metric or Imperial)
Wall fixed end	W
Free standing end	F
Left hand outlet	L
Right hand outlet	R

PRODUCT DESCRIPTION	ORDERING CODE
To specify a concealed sparge floor recessed urinal 1200mm long with a left hand wall fixed end, a right hand free standing end and a left hand outlet the ordering code would be:	FRUC1200WFL

Urinals

## FLOOR STANDING URINAL

SDS floor standing urinals are designed for situations where a trench cannot be cut in the floor, and are manufactured as one piece units from 304 grade stainless steel 1.2mm thick, with a smooth satin polished non reflective surface.

A full length removable panel is provided under the trough enabling easy access (via Allen headed screws) to the waste fitting and pipe work.

The horizontal flushing spargers have a top entry inlet as standard and are concealed within a stainless steel box.

Floor standing urinals are supplied with wall fixed or free standing ends, a plastic automatic flushing cistern, stainless steel down pipe, 50mm (2" BSP) waste fitting to left or right hand end, down pipe clip & stainless steel fixing screws.



1



3



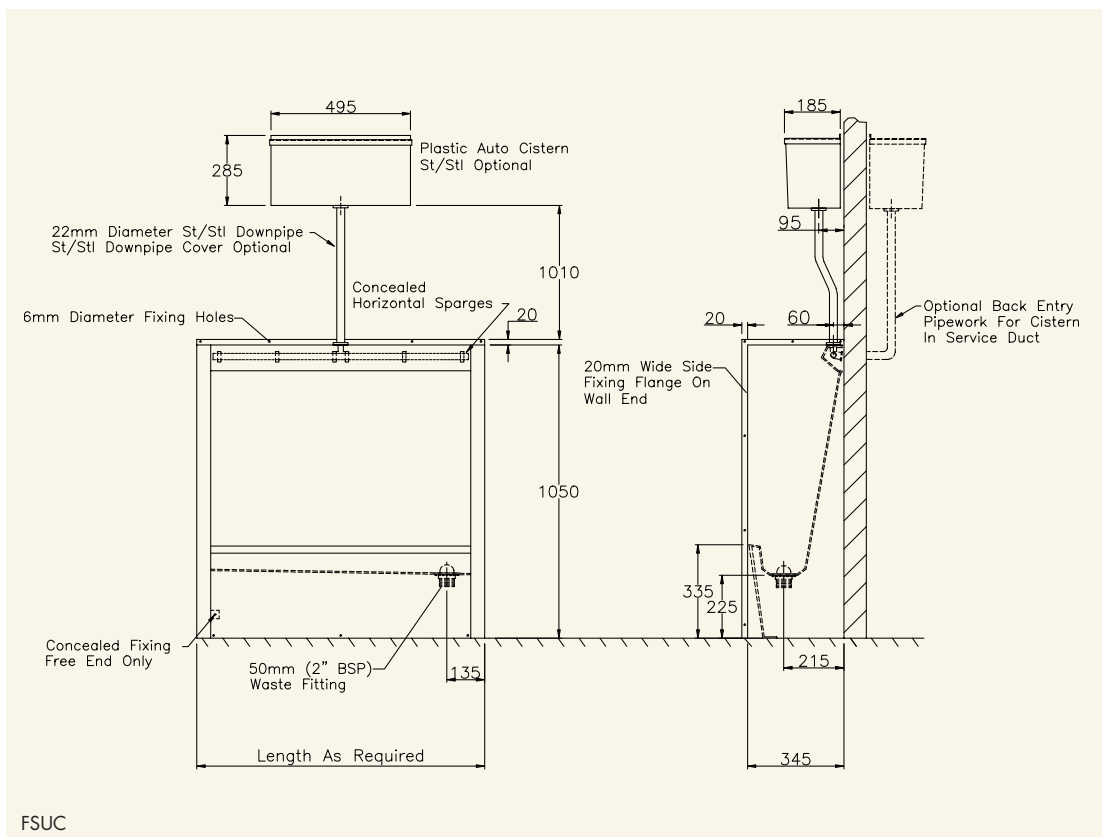
2



4

### Options

- Non standard waste position
- Back or side entry inlet connection
- Stainless steel automatic flushing cistern
- Stainless steel downpipe cover
- L or U shaped units



1 FSUC Concealed Sparge floor standing urinal

2 Plastic automatic flushing cistern

3 Optional stainless steel automatic flushing cistern

4 Floor standing urinal removable access panel

### PRODUCT DESCRIPTION

Concealed sparge floor standing urinal

### ORDERING CODE

FSUC

**Additional information required for ordering - add length required to the above ordering code followed by the appropriate letters for ends (left hand first) and outlet position**

Overall length of urinal

(In Metric or Imperial)

Wall fixed end

W

Free standing end

F

Left hand outlet

L

Right hand outlet

R

### PRODUCT DESCRIPTION

To specify a concealed sparge floor recessed urinal 1200mm long with a left hand wall fixed end, a right hand free standing end and a left hand outlet the ordering code would be:

### ORDERING CODE

FSUC1200WFL

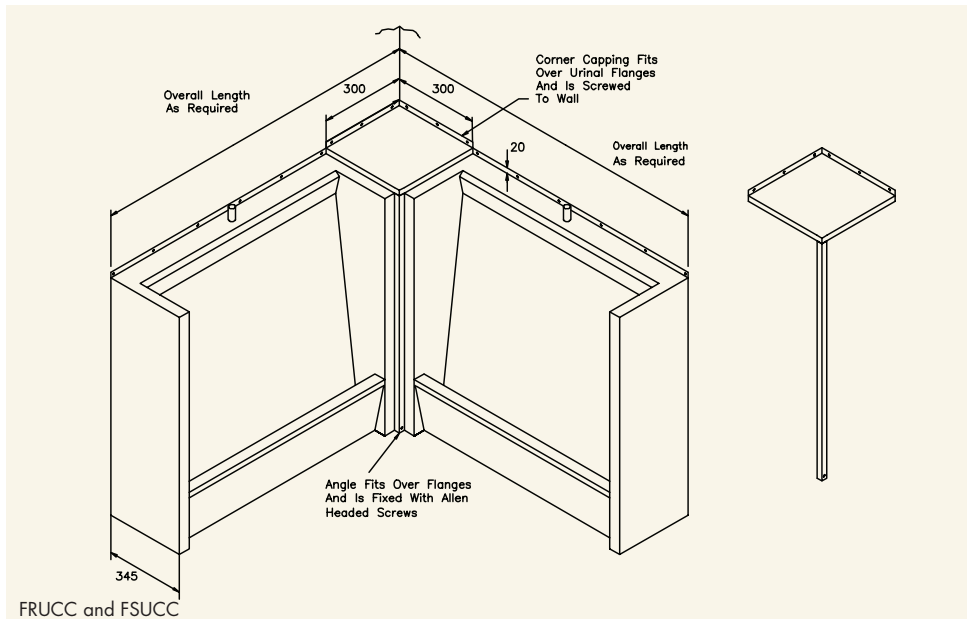
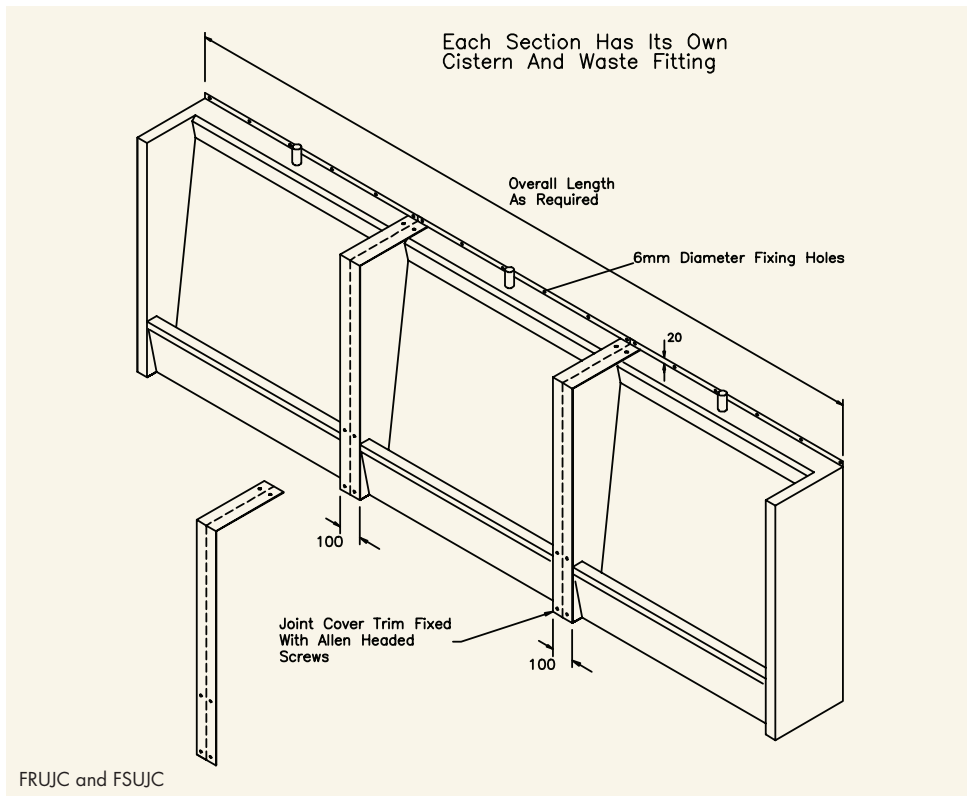
urinals

# URINAL JOINING ASSEMBLIES

If access into a building is restricted or if lengths longer than four metres are required, urinals can be made in sections for assembly on site using a joint cover trim for straight joints or a corner capping for corner joints.

Each section is manufactured as a separate urinal with its own waste fitting and cistern, and the only tool required is the 3mm Allen Key supplied.

Using this system urinals of any size and shape can be manufactured and delivered in easy to handle sections.



- 1 FRUJCT Joint cover trim for floor recessed urinal
- 2 FRUCC Corner capping for floor standing urinal
- 3 WHJCT Joint cover trim for wall hung urinal
- 4 WHCC Corner capping for wall hung urinal

PRODUCT DESCRIPTION	ORDERING CODE
Joint Cover Trim for Floor Recessed Urinal	FRUJCT
Corner Capping for Floor Recessed Urinal	FRUCC
Joint Cover Trim for Floor Standing Urinal	FSUJCT
Corner Capping for Floor Standing Urinal	FSUCC
Joint Cover Trim for Wall Hung Urinal	WHJCT
Corner Capping for Wall Hung Urinal	WHCC

urinals

# SINGLE STALL AND BOWL URINALS

SDS single stall and bowl urinals are designed for situations where single person facilities are required, and are manufactured from 304 grade stainless steel 1.2mm thick, with a smooth satin polished non reflective surface.

Up to four single stall or bowl urinals can be installed together in ranges and flushed by a single automatic cistern.

Both models are manufactured with a top entry water inlet for connection to an exposed cistern, alternatively a back inlet connection can be provided for concealed cistern applications.

Single stall and bowl urinals are supplied with a plastic automatic flushing cistern, stainless steel connecting pipe work, 38mm (1 1/2" BSP) waste fitting, downpipe clips & stainless steel fixing screws.



1 SSU Single stall urinal

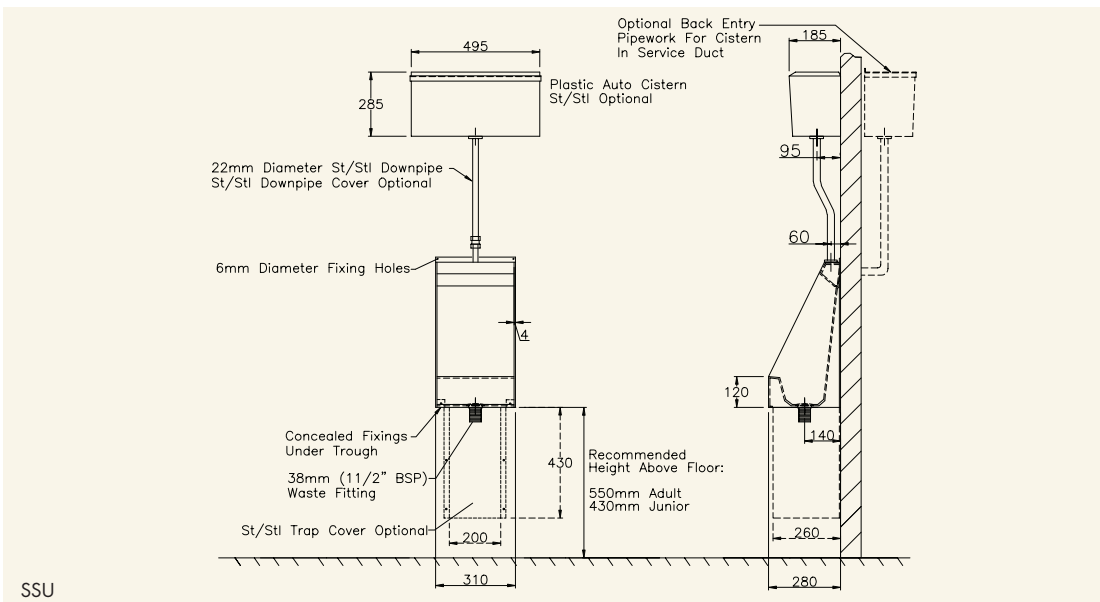
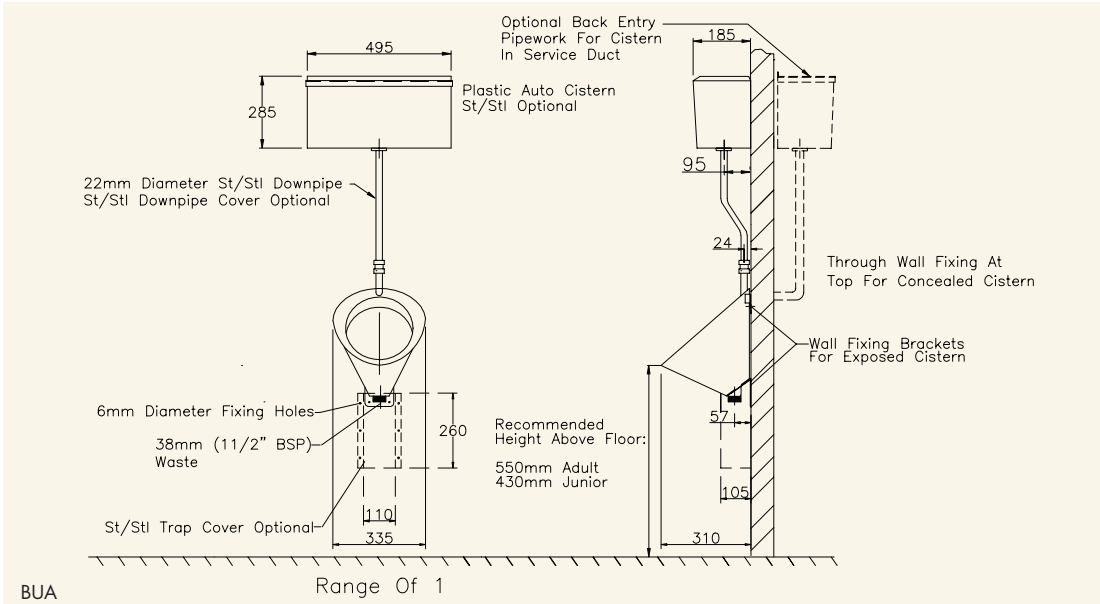
2 BUA Bowl urinal type A

3 Optional trap cover for bowl urinal

4 Optional trap cover for single stall urinal

### Options

- Back entry inlet connection
- Stainless steel downpipe cover
- Stainless steel automatic flushing cistern
- Stainless steel trap cover



### PRODUCT DESCRIPTION

### ORDERING CODE

Range of 1 single stall urinal with top entry inlet and plastic cistern	SSU1
Range of 2 single stall urinals with top entry inlets and plastic cistern	SSU2
Range of 3 single stall urinals with top entry inlets and plastic cistern	SSU3
Range of 4 single stall urinals with top entry inlets and plastic cistern	SSU4
Range of 1 type A bowl urinal with top entry inlet and plastic cistern	BUA1
Range of 2 type A bowl urinals with top entry inlets and plastic cistern	BUA2
Range of 3 type A bowl urinals with top entry inlets and plastic cistern	BUA3
Range of 4 type A bowl urinals with top entry inlets and plastic cistern	BUA4
Downpipe Cover	DPC
Single Stall Urinal Trap Cover	SSUTC
Bowl Urinal Trap Cover	BUTC

Urinals

## SHROUDED WC PANS

Rodbourne Shrouded back to wall WC pans are designed for services concealed behind the rear wall, and are manufactured from 304 grade stainless steel. The pan is available with an integral P or S trap and incorporates an anti ligature flushing rim for use in secure establishments.

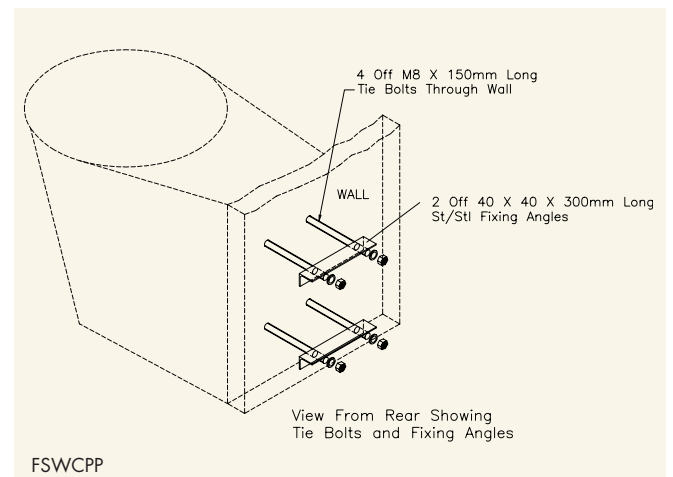
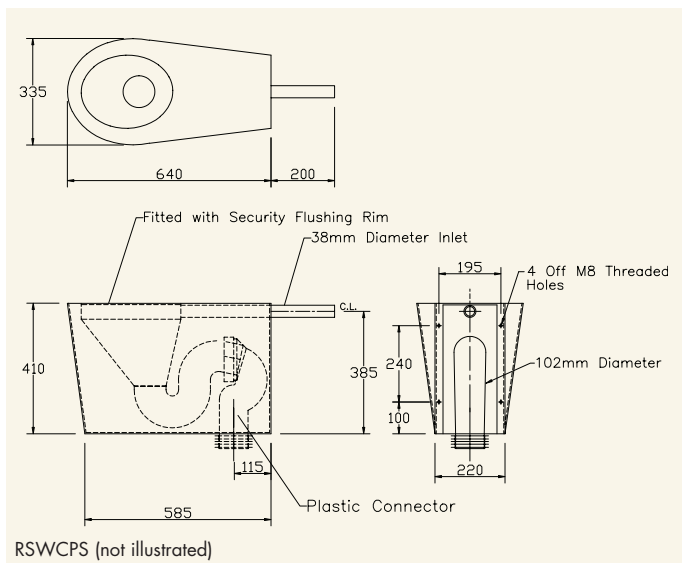
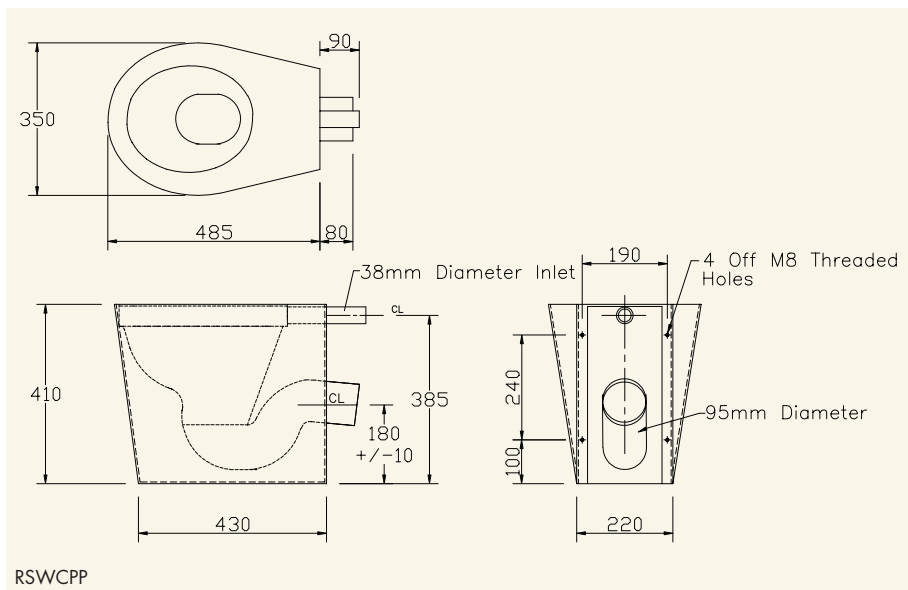
Each pan is supplied with either fixed plastic seat pads or a black plastic seat and cover with stainless steel security pillar hinges, alternatively the top can be left plain.



- Back to Wall WC Pan Options**
- Plastic concealed cistern with pneumatic flush (Ordering Code PCC)
  - Floor Fixing Tags (Add T to the ordering code)



**1** Rodbourne Shrouded WC Pan  
**2** Rodbourne Shrouded WC Pan with Seat Pads  
**3** Rodbourne Shrouded WC Pan with Seat & Cover



**PRODUCT DESCRIPTION**

Rodbourne shrouded P trap back to wall WC pan  
 Rodbourne shrouded S trap back to wall WC pan

**Seat requirements - add appropriate letter to end of ordering code**

Black plastic seat and cover with Stainless Steel security pillar hinges  
 White plastic fixed seat pads  
 Fixing holes only for seat & cover  
 Plain top to pan (no holes)

**ORDERING CODE**

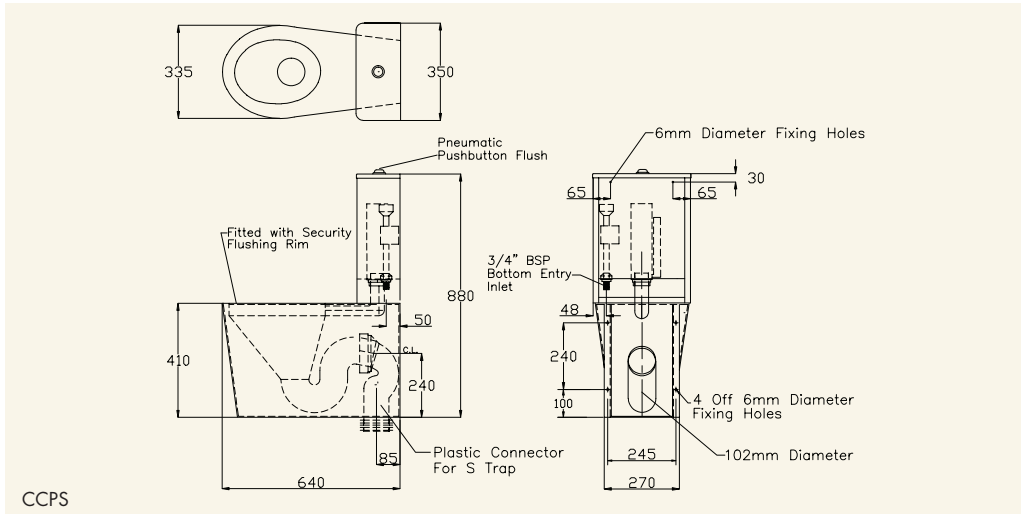
RSWCPP  
 RSWCPS  
 A  
 B  
 C  
 D



## CLIFTON WC SUITE

The Clifton Close Coupled suite incorporates a cistern and pneumatic pushbutton flush for situations where a service duct is not available. This suite is manufactured with a P trap only and is provided with a plastic pan connector for conversion to an S trap on site if necessary.

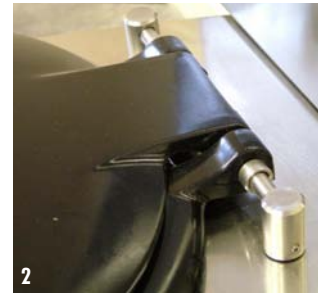
The pan is supplied with either fixed plastic seat pads or a black plastic seat and cover with stainless steel security pillar hinges, alternatively the top can be left plain.



CCPS

**PRODUCT DESCRIPTION**

PRODUCT DESCRIPTION	ORDERING CODE
Clifton close coupled suite	CCPS
<b>Seat requirements - add appropriate letter to end of ordering code</b>	
Black plastic seat and cover with Stainless Steel security pillar hinges	A
White plastic fixed seat pads	B
Fixing holes only for seat & cover	C
Plain top to pan (no holes)	D



**Clifton Suite Options**

- Infra Red non touch flushing (Add I to the ordering code)
- Lever Flushing (Increases cistern width to 450mm, add L to the ordering code)
- Floor Fixing Tags (Add T to the ordering code)

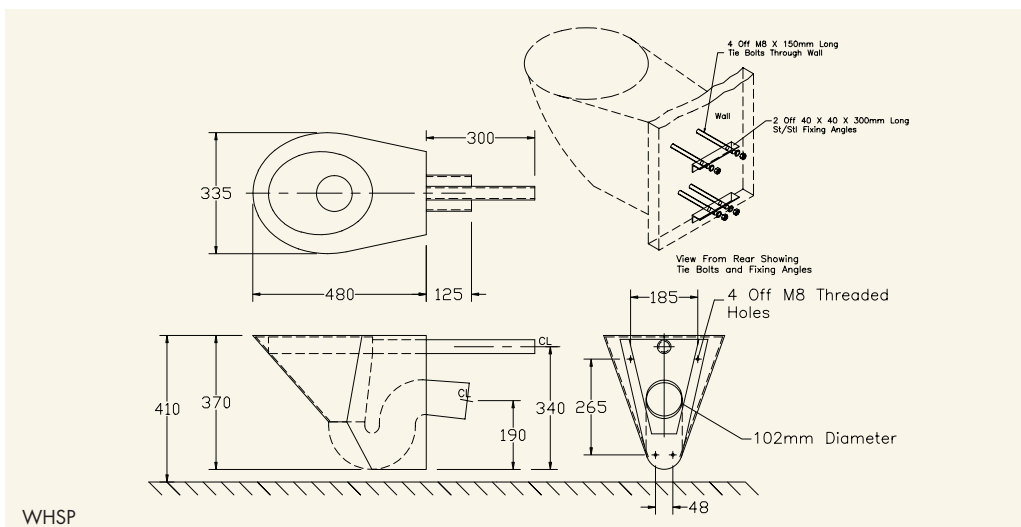
- 1 Clifton Close Coupled Suite
- 2 Stainless Steel Pillar Hinges

## WALL MOUNTED WC PAN

Designed for situations where a clear floor area is required, the Wall Mounted P trap WC pan is manufactured with a heavy gauge back plate and through wall tie bolts.

Each pan is supplied with either fixed plastic seat pads or a black plastic seat and cover with stainless steel security pillar hinges, alternatively the top can be left plain.

Note that this pan must be fixed to a wall of suitable strength as the loads involved can be high.



WHSP

**PRODUCT DESCRIPTION**

PRODUCT DESCRIPTION	ORDERING CODE
Wall Mounted WC pan	WHSP
<b>Seat requirements - add appropriate letter to end of ordering code</b>	
Black plastic seat and cover with Stainless Steel security pillar hinges	A
White plastic fixed seat pads	B
Fixing holes only for seat & cover	C
Plain top to pan (no holes)	D



- Options**
- Plastic concealed cistern with pneumatic pushbutton flush (Ordering Code PCC)

- 1 Wall Mounted WC Pan

# RODBOURNE PEDESTAL WC PANS

The Rodbourne pedestal WC pan and WC pan suites are manufactured from 304 grade stainless steel and incorporate an anti ligature flushing rim suitable for use in secure establishments.

Each pan is supplied with either fixed plastic seat pads or a black plastic seat and cover with stainless steel security pillar hinges, alternatively the top can be left plain.

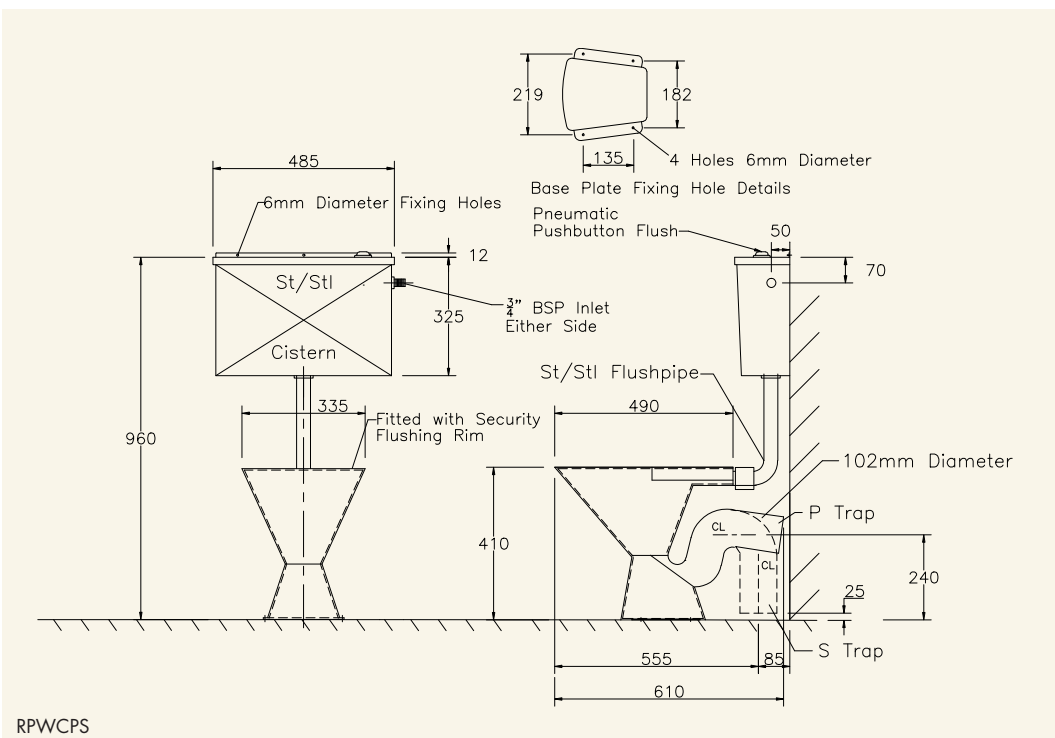
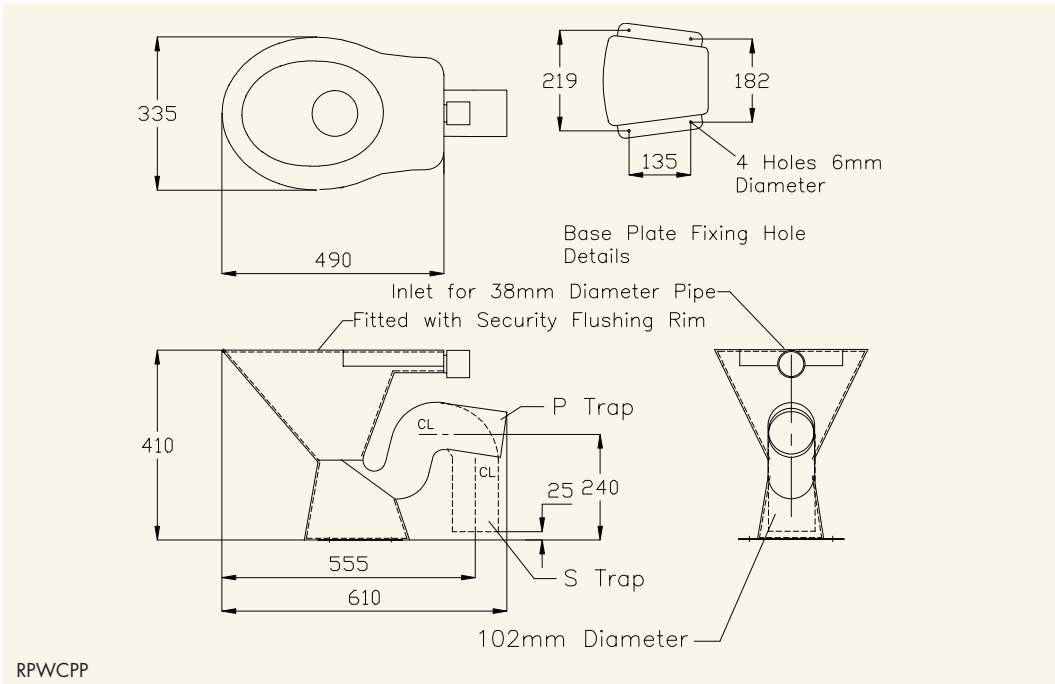
The close coupled and low level cisterns each incorporate a pneumatically operated pushbutton and flush valve, the high level cistern is fitted with a traditional chain flush.



1 Rodbourne Pedestal P Trap WC Pan



2 Rodbourne Pedestal P Trap Low Level WC Suite



**PRODUCT DESCRIPTION**

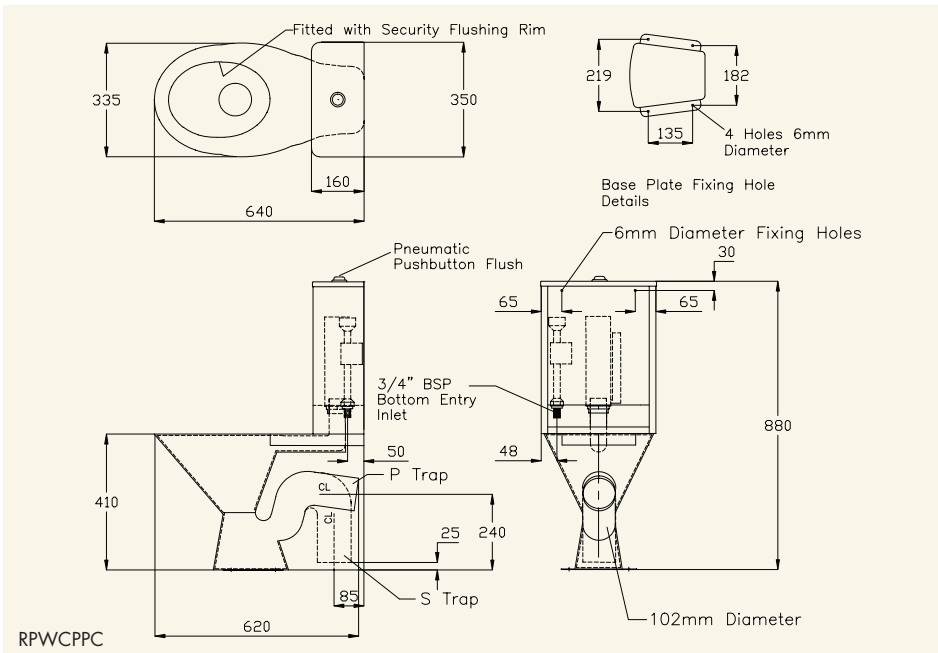
- Rodbourne pedestal P trap WC pan
- Rodbourne pedestal S trap WC pan

**ORDERING CODE**

- RPWCPP
- RPWCPS

**RODBOURNE PEDESTAL**

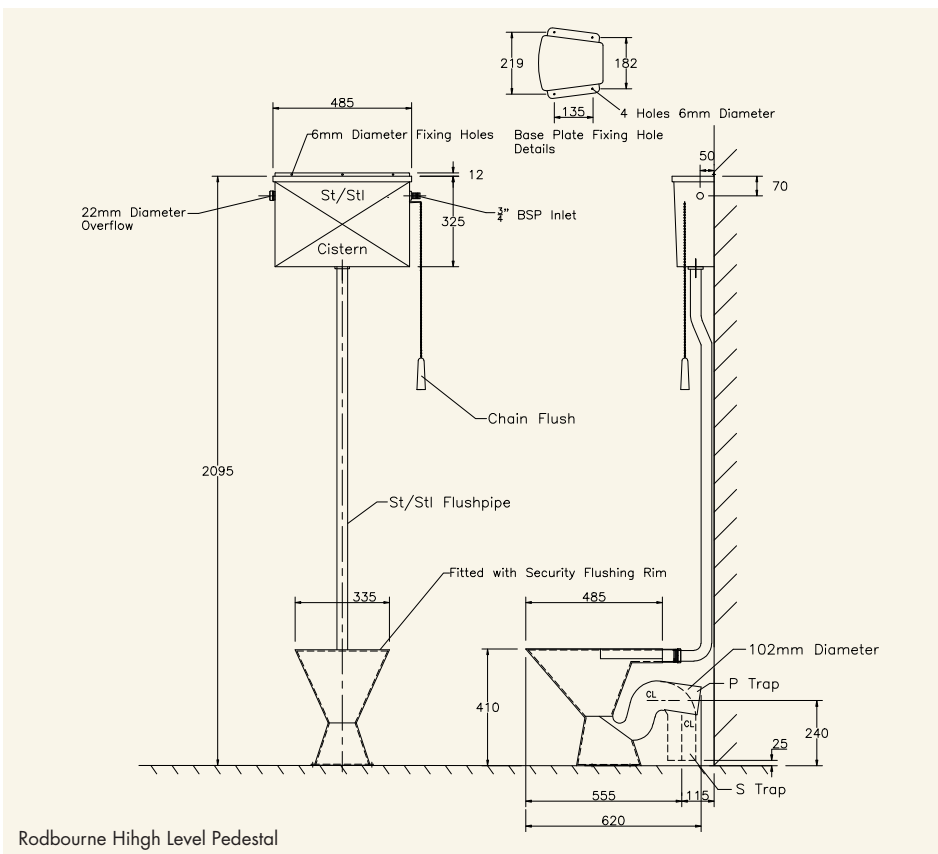
**WC PANS** continued



1



2



3

**PRODUCT DESCRIPTION**

- Rodbourne pedestal P trap close coupled WC suite
- Rodbourne pedestal S trap close coupled WC suite
- Rodbourne pedestal P trap high level WC suite
- Rodbourne pedestal S trap high level WC suite
- Rodbourne pedestal P trap low level WC suite
- Rodbourne pedestal S trap low level WC suite

**ORDERING CODE**

- RPWCPPC
- RPWCPCSC
- RPWCPPSH
- RPWCPCSSH
- RPWCPLL
- RPWCPSL

**Seat requirements - add appropriate letter to end of ordering code**

- Black plastic seat and cover with Stainless Steel security pillar hinges
- White plastic fixed seat pads
- Fixing holes only for seat & cover
- Plain top to pan (no holes)

- A
- B
- C
- D

- 1 Rodbourne P Trap Close coupled WC Suite
- 2 Pneumatic Push-button Flush
- 3 Rodbourne High Level Suite

panns

## DISABLED USE WC PANS AND DOCUMENT M ACCESSORIES

### BACK TO WALL SHROUDED DISABLED WC PAN ORDERING CODE DPF

A purpose designed P trap disabled WC pan to document M dimensions, with a rear inlet for concealed services and supplied as standard with a plastic seat/cover and plastic pan connector for conversion to S trap on site if necessary.

### DISABLED SHROUDED WC SUITE ORDERING CODE DPFSL or DPFSSR

This suite combines the shrouded disabled pan above with a medium level stainless steel cistern which leaves room for a backrest support and incorporates a spatulate flushing lever to the left (DPFSL) or right hand side (DPFSSR).

### DISABLED GRAB RAIL SET ORDERING CODE GRS

A set of 6 304 grade stainless steel grab rails 35mm in diameter, comprising 4 x 600mm straight rails, 1 x 400mm backrest support and 1 x double arm hinged support rail.

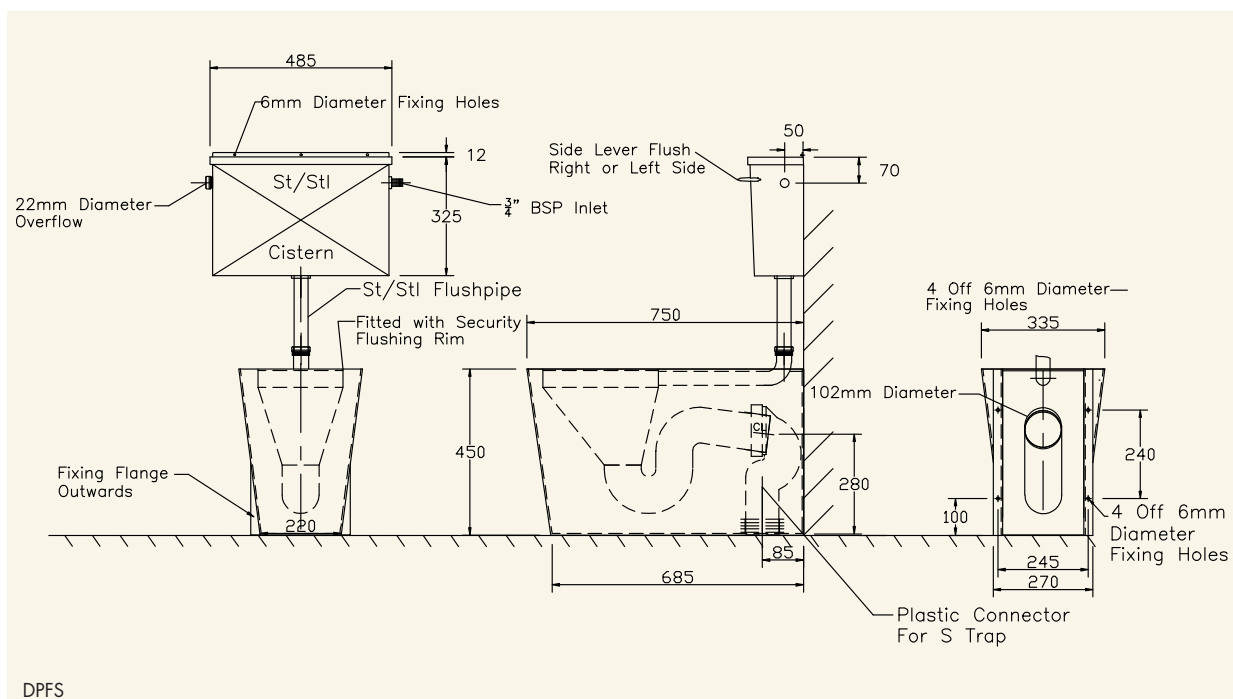
### DOCUMENT M PACK 1 EXPOSED CISTERN ORDERING CODE DOCM1

#### CONTENTS:

- 1 x WC suite (DPFS as detailed above)
- 1 x set of grab rails (GRS as detailed above)
- 1 x washbasin with right hand monoblock taphole (MWBW as detailed on page 37)



1 Disabled Shrouded WC Suite



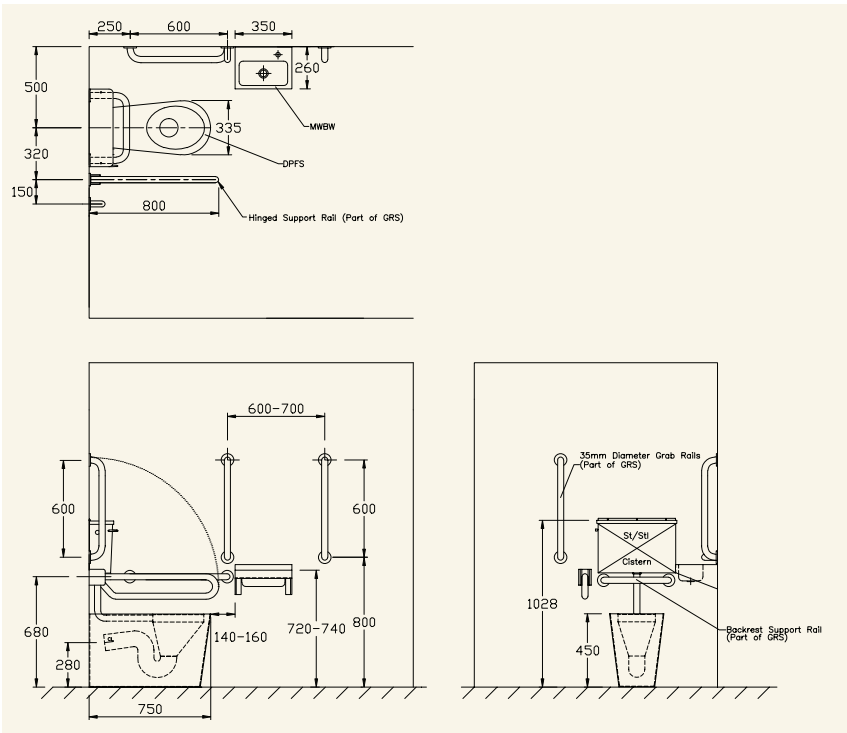
**DISABLED USE WC PANS AND DOCUMENT M ACCESSORIES** continued

**DOCUMENT M PACK 2 CONCEALED CISTERN ORDERING CODE DOCM2**

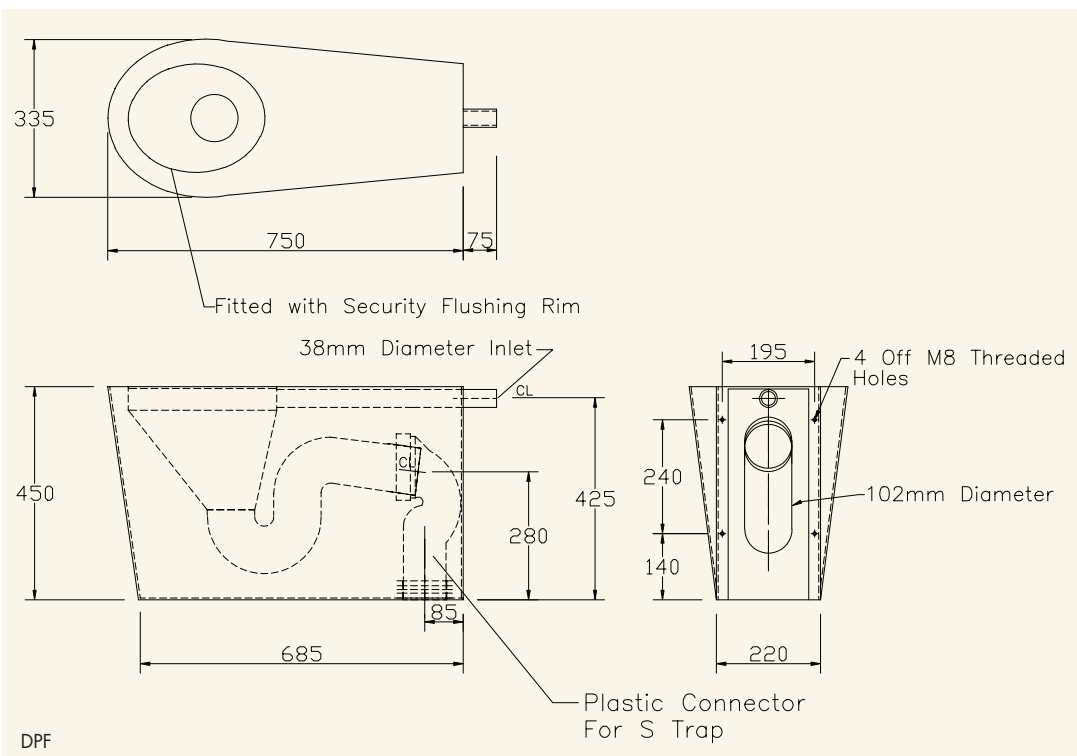
- 1 x WC pan (DPF as detailed on previous page)
- 1 x concealed plastic cistern with lever (CCPL)
- 1 x set of grab rails (GRS as detailed on page 12)
- 1 x washbasin with right hand monoblock taphole (MWBW as detailed on page 37)

**X PACK (ADD X TO ORDERING CODE)**

- Items as pack 1 or 2 plus:
- 1 x paper tower dispenser (PTD as detailed on page 41)
  - 1 x horizontal soap dispenser (HSD as detailed on page 40)
  - 1 x toilet roll holder (STR as detailed on page 38)
  - 1 x stainless steel mirror 900mm x 450mm (SSM900X400 as detailed on page 42)
  - 1 x lever action mixer tap
  - 1 x thermostatic under basin mixer valve



1 Example of Document M Installation. Products illustrated include a Disabled Shrouded Back to Wall WC pan, (DPF), Disabled Grab Rail Set (GRS), Floor Standing Mini Washbasin (MWBW Page 37) and Soap Dispenser (HSD page 40).

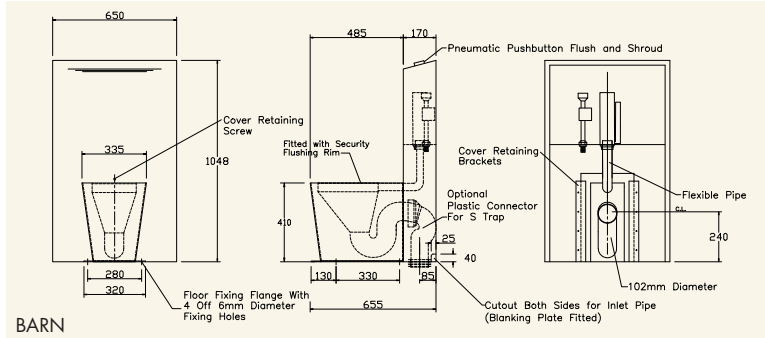


## BARNFIELD WC SUITE

A Shrouded WC suite designed for situations where ducted services are not available and all services need to be concealed.

The Barnfield unit is supplied with a shrouded P trap WC pan and a push button operated cistern, which is concealed within a one piece removable stainless steel shroud.

The pan is supplied with either fixed plastic seat pads or a black plastic seat and cover with stainless steel security pillar hinges, alternatively the top can be left plain.



BARN



1 Barnfield WC Suite

### PRODUCT DESCRIPTION

Barnfield WC suite

### ORDERING CODE

BARN

### Seat requirements - add appropriate letter to end of ordering code

Black plastic seat and cover with Stainless Steel security pillar hinges

A

White plastic fixed seat pads

B

Fixing holes only for seat & cover

C

Plain top to pan (no holes)

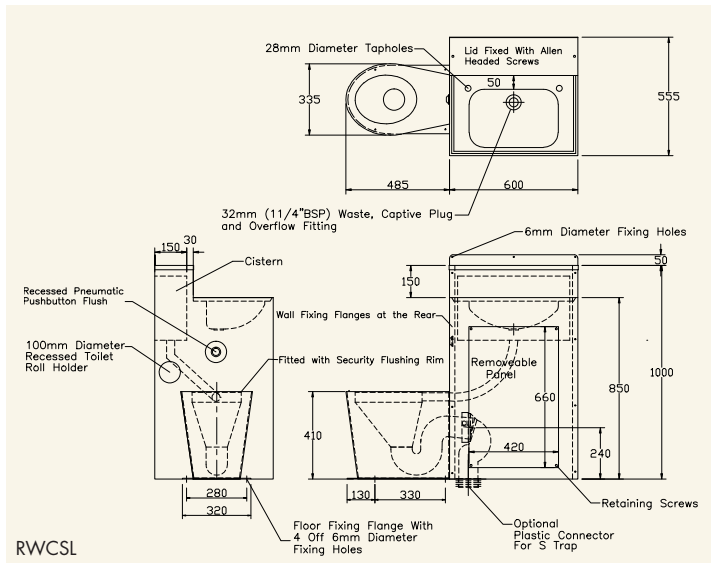
D

## READING COMBINED WASHBASIN AND WC SUITE

Ideally suited to areas of confined space, the Reading suite combines WC and handwashing facilities in one compact unit.

Maintenance access is via a removable panel and each unit is supplied with a shrouded P trap WC pan to the left or right hand side, an anti vandal basin waste fitting, a pair of non concussive taps, an integral toilet roll holder and a stainless steel pushbutton flush.

The pan is supplied with either fixed plastic seat pads or a black plastic seat and cover with stainless steel security pillar hinges, alternatively the top can be left plain.



RWCSL



1

1 Reading combined washbasin and WC Suite

### PRODUCT DESCRIPTION

Reading combined washbasin and WC suite, left hand pan

### ORDERING CODE

RWCSL

Reading combined washbasin and WC suite, right hand pan

RWCSR

### Seat requirements - add appropriate letter to end of ordering code

Black plastic seat and cover with Stainless Steel security pillar hinges

A

White plastic fixed seat

B

Fixing holes only for seat & cover

C

Plain top to pan (no holes)

D

# STAINLESS STEEL WC CUBICLES

SDS stainless steel WC cubicles are manufactured from 1.2mm thick 304 grade stainless steel sheeting both sides of a high density core, giving an overall thickness of 53mm for partitions and 28mm for cubicle doors. The standard depth of partition is 1500mm, although any size required can be provided.

The cubicles incorporate heavy duty stainless steel sliding indicator bolts, full length stainless steel piano hinges, anti finger trap door jambs and stainless steel recessed coat hooks.

To enable us to provide an accurate quotation it is best to provide a rough plan view sketch showing overall sizes, positions of any brick walls and positions of WC pan outlets in the floor or wall.



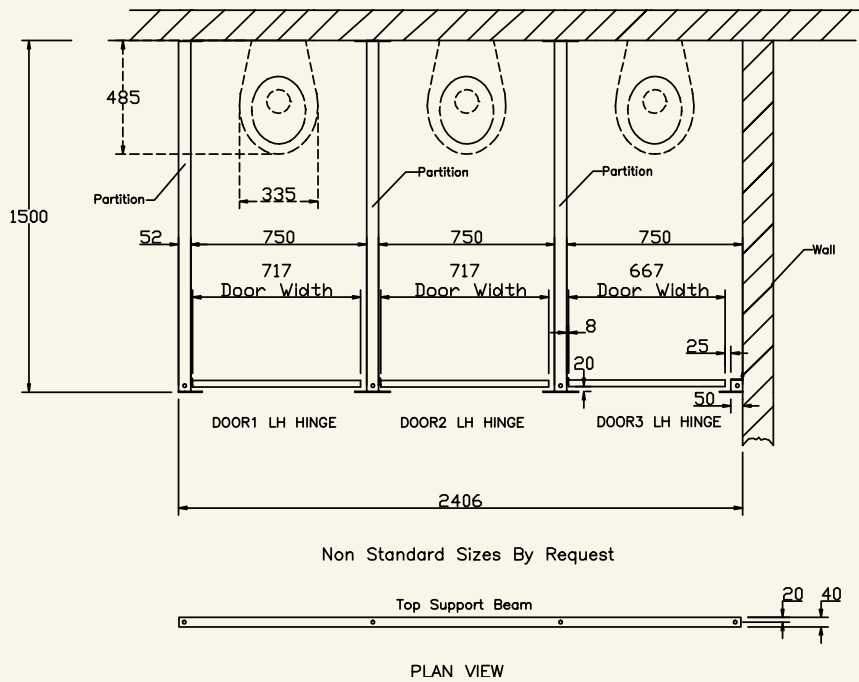
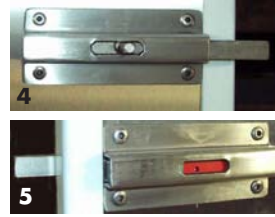
1 Stainless Steel adjustable Foot

2 Stainless Steel Door Handle

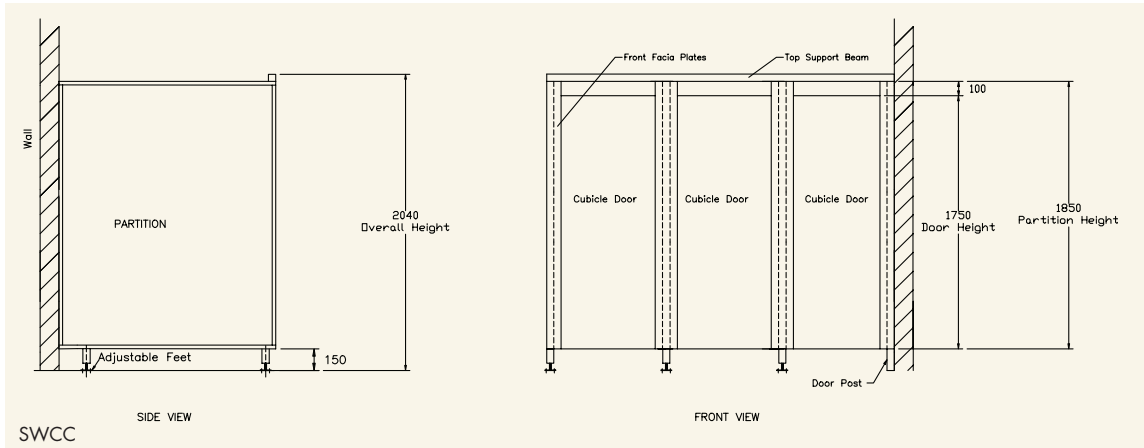
3 Stainless Steel Piano Hinge

4 Stainless Steel Indicator Bolt rear

5 Stainless Steel Indicator Bolt front



PLAN VIEW



SIDE VIEW

FRONT VIEW

SWCC

**PRODUCT DESCRIPTION**

Stainless steel cubicle partitions and doors

**ORDERING CODE**

SWCC

**A plan view sketch is required to establish the required items listed below**

Number of partitions

Number of doors

Number of end posts

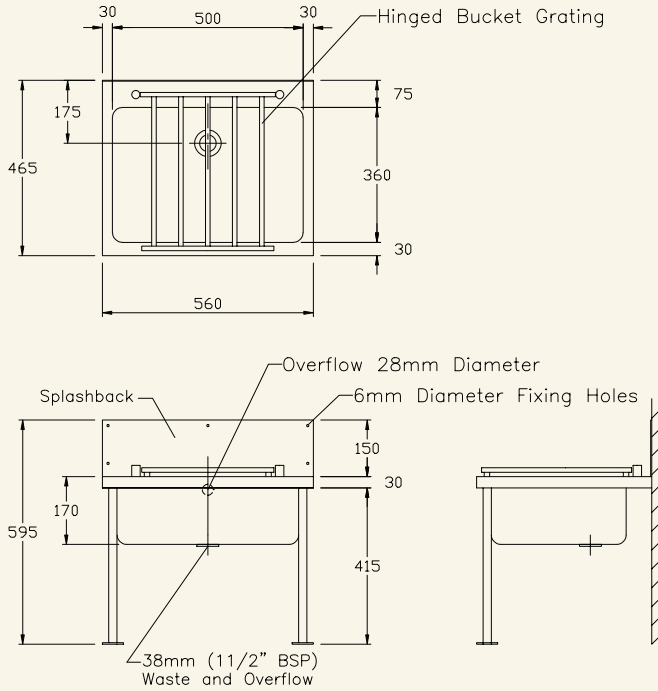
panns

## CLEANERS SINK

A 304 grade stainless steel cleaner's sink designed for heavy duty use, supplied with stainless steel hinged bucket grating, front support legs and a 38mm (1 1/2" BSP) waste/overflow fitting.

## CLEANERS COMBINATION UNIT

A 304 grade stainless steel Cleaners combination unit providing both hand wash and bucket filling facilities. The unit is supplied with a stainless steel hinged grating, a swivel tap, a 32mm (1 1/4" BSP) waste/overflow fitting to the basin and a 38mm (1 1/2" BSP) waste/overflow fitting to the bucket sink.

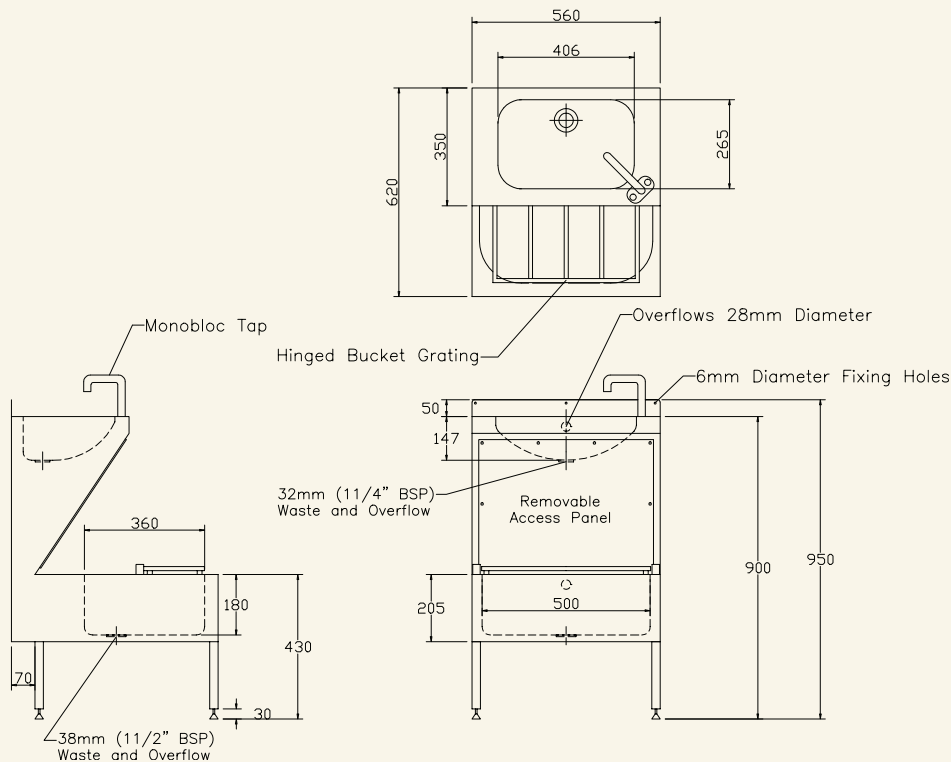


CS

1 Cleaner's Sink

2 Cleaner's Combination Unit

3 Bucket Grating



CCU

### PRODUCT DESCRIPTION

Cleaner's Sink  
Cleaner's Combination Unit

### ORDERING CODE

CS  
CCU



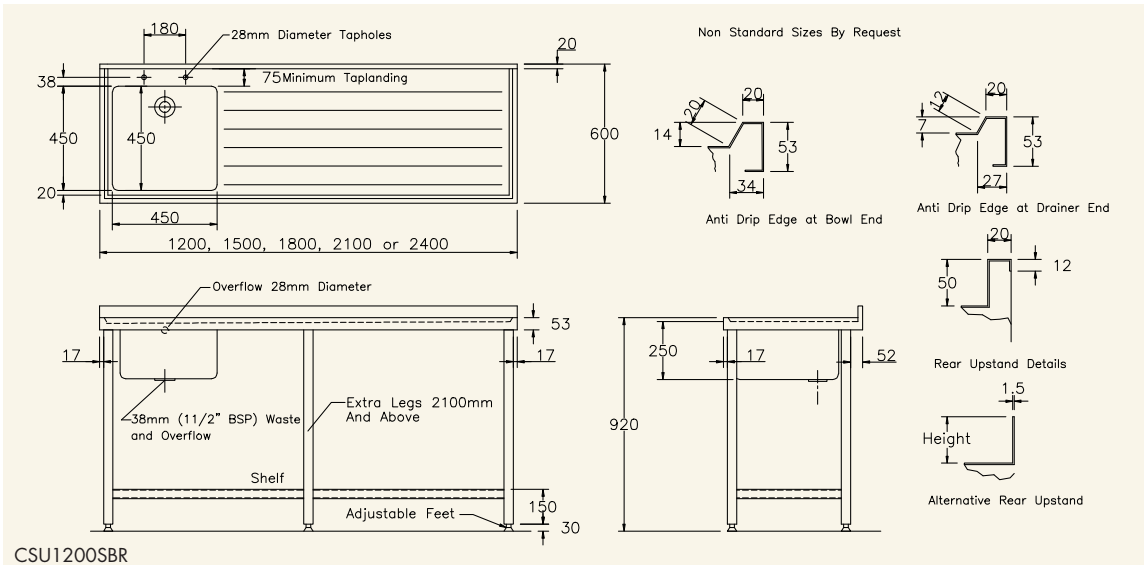
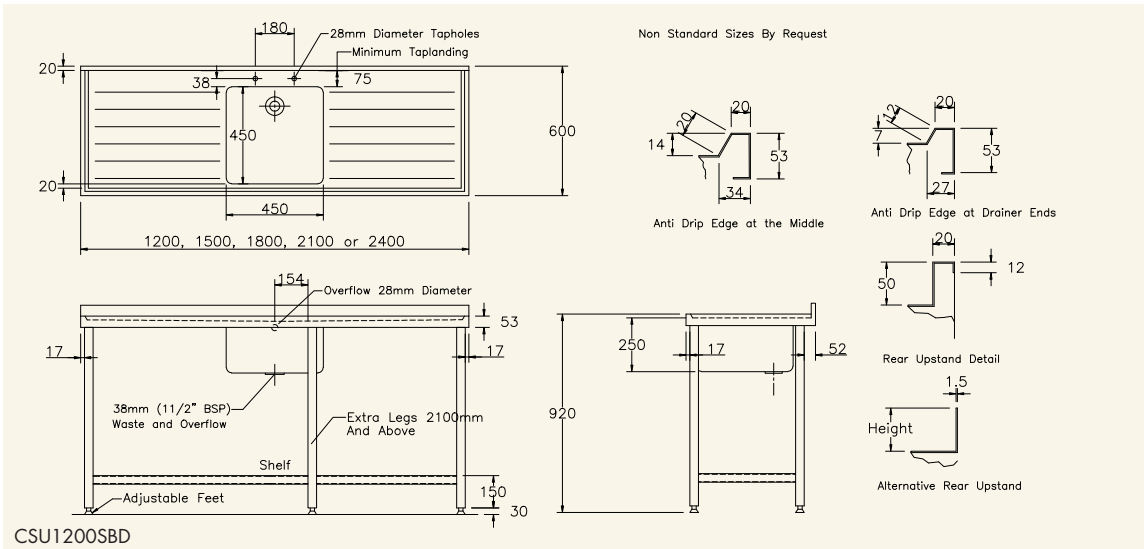
# SINGLE BOWL CATERING SINK UNITS WITH FRAMES

SDS heavy duty catering sink units are manufactured from 1.5mm thick 304 grade stainless steel throughout (optional 316 grade is available for laboratory use).

All standard units are manufactured in one piece and are supplied with 2 tap holes at 180mm centres behind the bowl, a 38mm (1 1/2" BSP) waste/overflow fitting and adjustable feet.



- Options**
- Special size units
  - Strainer waste fitting
  - 316 Grade Stainless Steel
  - Vulcathene waste fitting



**PRODUCT DESCRIPTION**

**Catering Sink Units, Bowl Size 450x450x250mm**

	ORDERING CODE
1200x600mm with single bowl and left hand drainer	CSU1200SBL
1200x600mm with single bowl and right hand drainer	CSU1200SBR
1200x600mm with single bowl and double drainers	CSU1200SBD
1500x600mm with single bowl and left hand drainer	CSU1500SBL
1500x600mm with single bowl and right hand drainer	CSU1500SBR
1500x600mm with single bowl and double drainers	CSU1500SBD
1800x600mm with single bowl and left hand drainer	CSU1800SBL
1800x600mm with single bowl and right hand drainer	CSU1800SBR
1800x600mm with single bowl and double drainers	CSU1800SBD
2100x600mm with single bowl and left hand drainer	CSU2100SBL
2100x600mm with single bowl and right hand drainer	CSU2100SBR
2100x600mm with single bowl and double drainers	CSU2100SBD
2400x600mm with single bowl and left hand drainer	CSU2400SBL
2400x600mm with single bowl and right hand drainer	CSU2400SBR
2400x600mm with single bowl and double drainers	CSU2400SBD

- 1 Single Bowl Catering Sink Unit with Right Hand Drainer
- 2 Single Bowl Catering Sink Unit with Left Hand Drainer
- 3 Single Bowl Catering Sink Unit with Double Drainers
- 4 Heavy Duty Fabricated Bowl
- 5/6 Optional Strainer Waste

catering

## DOUBLE BOWL CATERING SINK UNITS WITH FRAMES

SDS heavy duty catering sink units are manufactured from 1.5mm thick 304 grade stainless steel throughout (optional 316 grade is available for laboratory use).

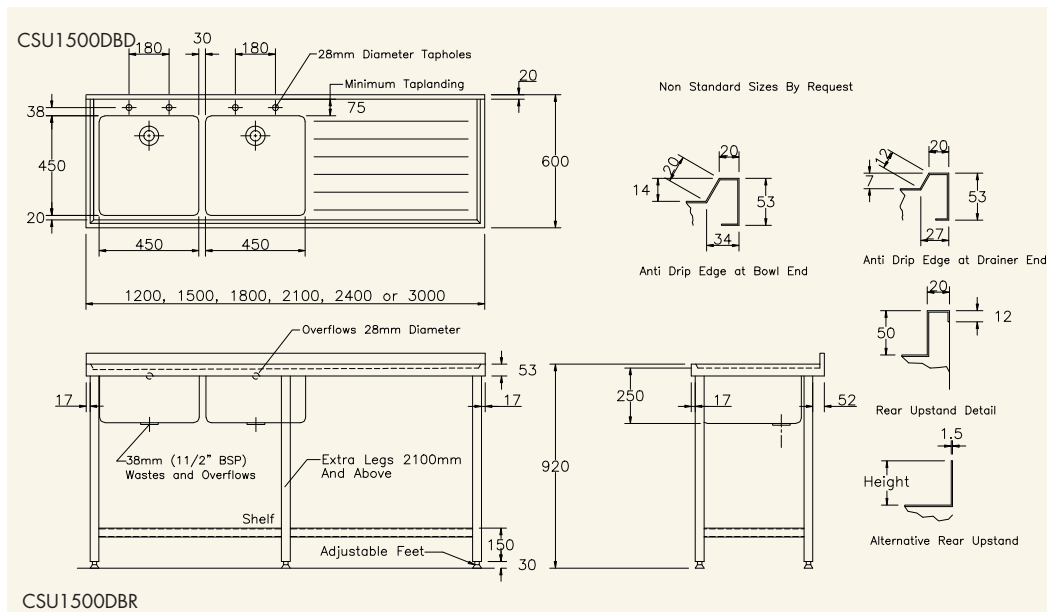
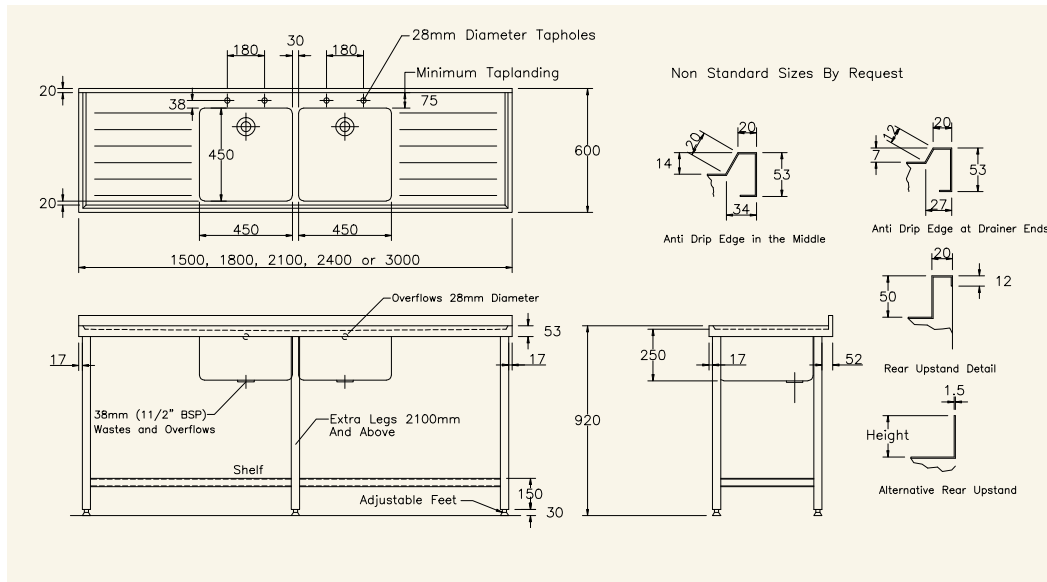
All standard units are manufactured in one piece with no on site assembly required, and are supplied with 2 tap holes at 180mm centres behind each bowl, 38mm (1 1/2" BSP) waste/overflow fittings and adjustable feet.



1



2



CSU1500DBR

### PRODUCT DESCRIPTION

#### Catering Sink Units, Bowl Size 450x450x250mm

1500x600mm with double bowls and left hand drainer	CSU1500DBL
1500x600mm with double bowls and right hand drainer	CSU1500DBR
1500x600mm with double bowls and double drainers	CSU1500DBD
1800x600mm with double bowls and left hand drainer	CSU1800DBL
1800x600mm with double bowls and right hand drainer	CSU1800DBR
1800x600mm with double bowls and double drainers	CSU1800DBD
2100x600mm with double bowls and left hand drainer	CSU2100DBL
2100x600mm with double bowls and right hand drainer	CSU2100DBR
2100x600mm with double bowls and double drainers	CSU2100DBD
2400x600mm with double bowls and left hand drainer	CSU2400DBL
2400x600mm with double bowls and right hand drainer	CSU2400DBR
2400x600mm with double bowls and double drainers	CSU2400DBD
3000x600mm with double bowls and left hand drainer	CSU3000DBL
3000x600mm with double bowls and right hand drainer	CSU3000DBR
3000x600mm with double bowls and double drainers	CSU3000DBD

#### ORDERING CODE

### Options

- Special size units
- Strainer waste fitting
- 316 Grade Stainless Steel
- Vulcathene waste fitting

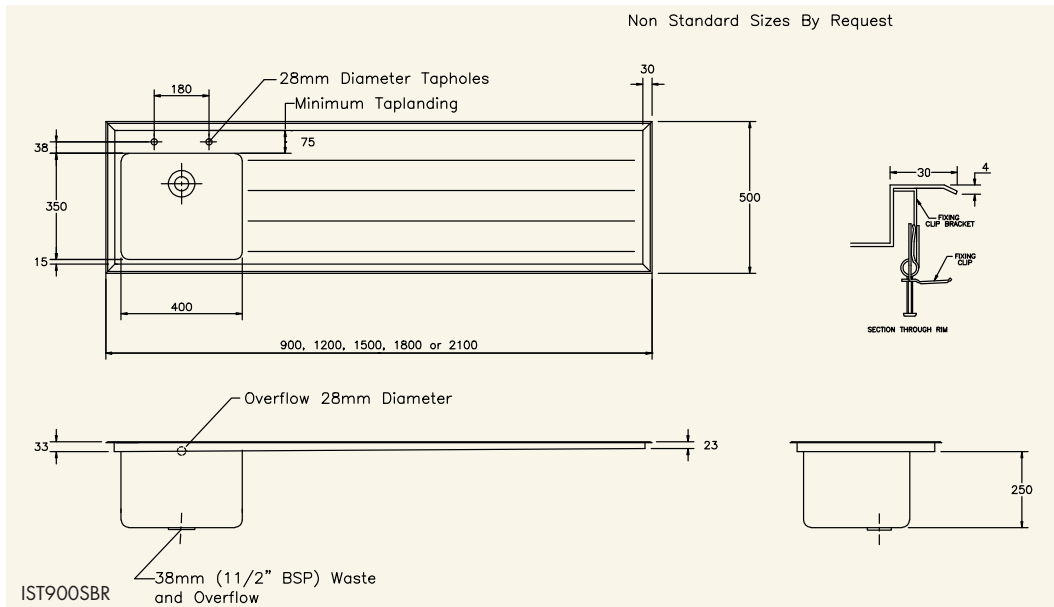
1 Double Bowl Catering Sink Unit with Right Hand Drainer

2 Double Bowl Catering Sink Unit with Double Drainers

## SINGLE BOWL INSET SINK TOPS

SDS heavy duty inset sink tops are manufactured from 1.5mm thick 304 grade stainless steel throughout (optional 316 grade is available for laboratory use).

All standard units are manufactured in one piece with no on site assembly required, and are supplied with 2 tap holes at 180mm centres behind each bowl, 38mm (1 1/2" BSP) waste/overflow fittings and fixing clips.



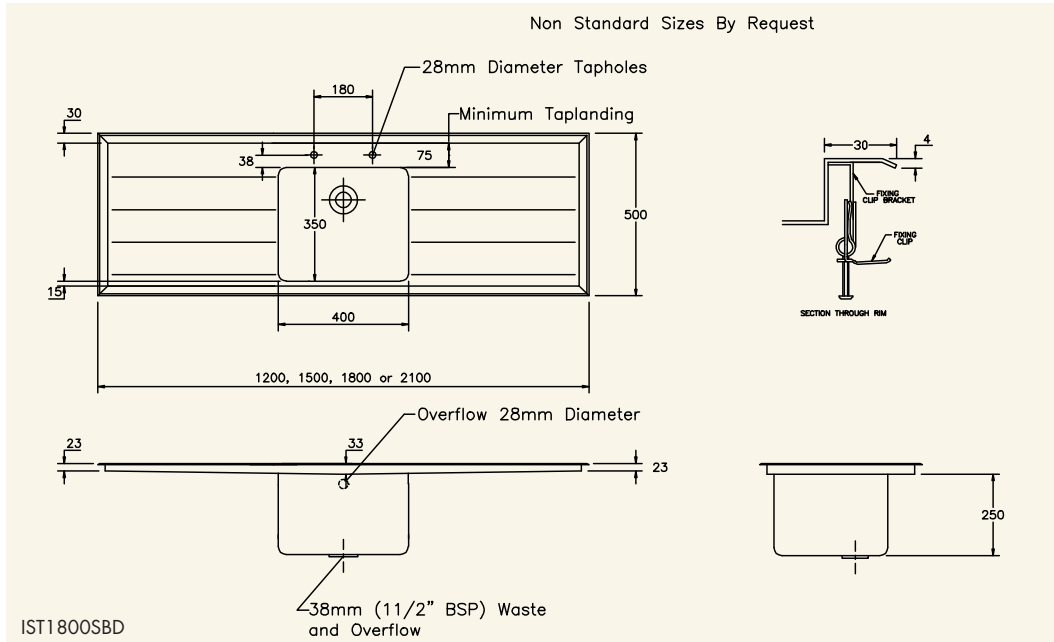
### Options

- Special size units
- Strainer waste fitting
- 316 Grade Stainless Steel
- Vulcathene waste fitting

1 Single Bowl Inset Sink Top with Left Hand Drainer

2 Single Bowl Inset Sink Top with Double Drainers

3 Single Bowl Inset Sink Top with Right Hand Drainer (Vulcathene waste and overflow illustrated)



### PRODUCT DESCRIPTION

#### Inset Sink Tops, Bowl Size 400x350x250mm

900x500mm with single bowl and left hand drainer

900x500mm with single bowl and right hand drainer

1200x500mm with single bowl and left hand drainer

1200x500mm with single bowl and right hand drainer

1500x500mm with single bowl and left hand drainer

1500x500mm with single bowl and right hand drainer

1500x500mm with single bowl and double drainers

1800x500mm with single bowl and left hand drainer

1800x500mm with single bowl and right hand drainer

1800x500mm with single bowl and double drainers

2100x500mm with single bowl and left hand drainer

2100x500mm with single bowl and right hand drainer

2100x500mm with single bowl and double drainers

### ORDERING CODE

IST900SBL

IST900SBR

IST1200SBL

IST1200SBR

IST1500SBL

IST1500SBR

IST1500SBD

IST1800SBL

IST1800SBR

IST1800SBD

IST2100SBL

IST2100SBR

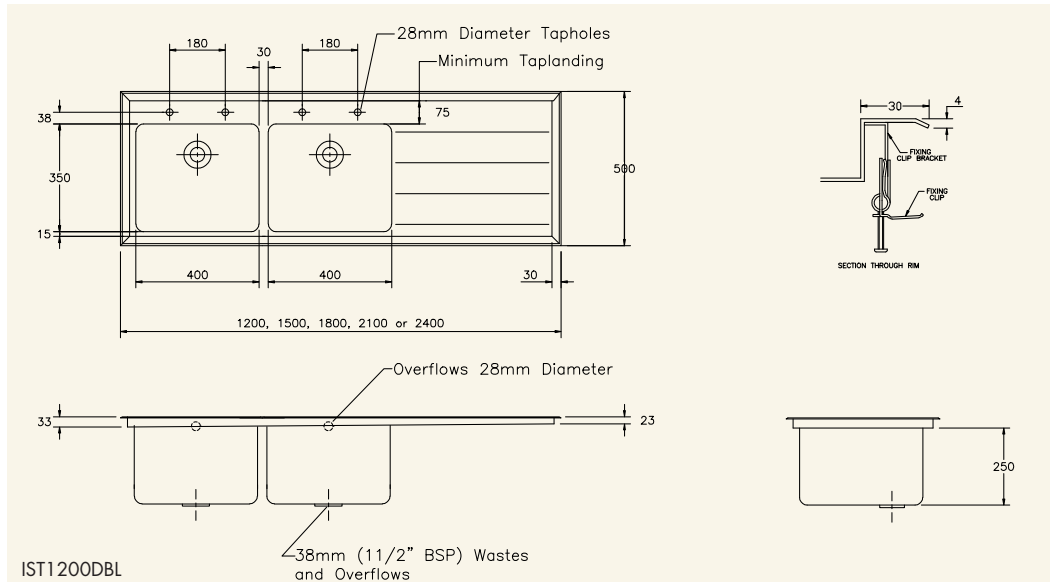
IST2100SBD

catering

## DOUBLE BOWL INSET SINK TOPS

SDS heavy duty inset sink tops are manufactured from 1.5mm thick 304 grade stainless steel throughout (optional 316 grade is available for laboratory use).

All standard units are manufactured in one piece with no on site assembly required, and are supplied with 2 tap holes at 180mm centres behind each bowl, 38mm (1 1/2" BSP) waste/overflow fittings and fixing clips.

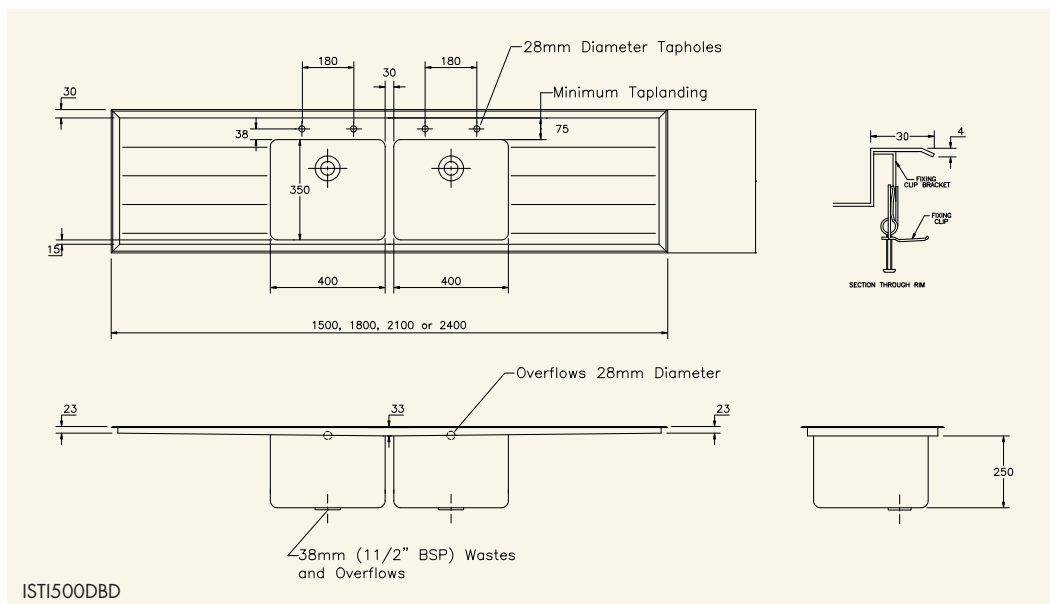


### Options

- Special size units
- Strainer waste fitting
- 316 Grade Stainless Steel
- Vulcathene waste fitting

1 Double Bowl Inset Sink Top with Right Hand Drainer

2 Double Bowl Inset Sink Top with Right Hand Drainer



### PRODUCT DESCRIPTION

#### Inset Sink Tops, Bowl Size 400x350x250mm

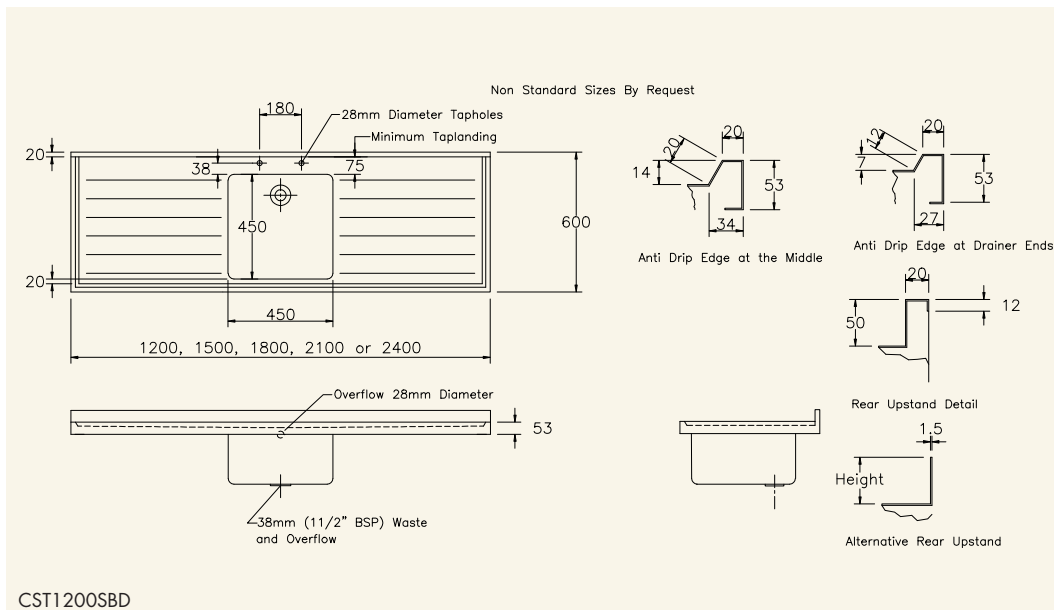
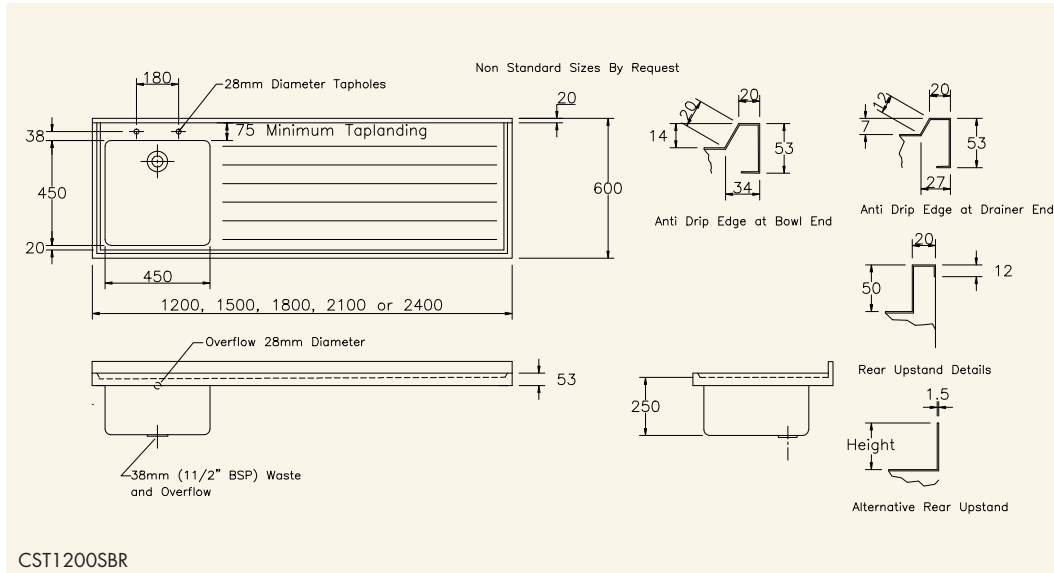
1200x500mm with double bowls and left hand drainer	IST1200DBL
1200x500mm with double bowls and right hand drainer	IST1200DBR
1500x500mm with double bowls and left hand drainer	IST1500DBL
1500x500mm with double bowls and right hand drainer	IST1500DBR
1500x500mm with double bowls and double drainers	IST1500DBD
1800x500mm with double bowls and left hand drainer	IST1800DBL
1800x500mm with double bowls and right hand drainer	IST1800DBR
1800x500mm with double bowls and double drainers	IST1800DBD
2100x500mm with double bowls and left hand drainer	IST2100DBL
2100x500mm with double bowls and right hand drainer	IST2100DBR
2100x500mm with double bowls and double drainers	IST2100DBD
2400x500mm with double bowls and left hand drainer	IST2400DBL
2400x500mm with double bowls and right hand drainer	IST2400DBR
2400x500mm with double bowls and double drainers	IST2400DBD

#### ORDERING CODE

## SINGLE BOWL SIT ON SINK TOPS

SDS heavy duty sit on sink tops are manufactured from 1.5mm thick 304 grade stainless steel throughout (optional 316 grade is available for laboratory use).

All standard units are manufactured in one piece with no on site assembly required, and are supplied with 2 tap holes at 180mm centres behind each bowl and 38mm (1 1/2" BSP) waste/overflow fittings.



### Options

- Special size units
- Strainer waste fitting
- 316 Grade Stainless Steel
- Vulcathene waste fitting

**1** Single Bowl Sit On Sink Top with Left Hand Drainer

**2** Heavy Duty Fabricated Bowl

**3** Rear Upstand Detail

### PRODUCT DESCRIPTION

#### Sit On Sink Tops, Bowl Size 450x450x250mm

1200x600mm with single bowl and left hand drainer	CST1200SBL
1200x600mm with single bowl and right hand drainer	CST1200SBR
1200x600mm with single bowl and double drainers	CST1200SBD
1500x600mm with single bowl and left hand drainer	CST1500SBL
1500x600mm with single bowl and right hand drainer	CST1500SBR
1500x600mm with single bowl and double drainers	CST1500SBD
1800x600mm with single bowl and left hand drainer	CST1800SBL
1800x600mm with single bowl and right hand drainer	CST1800SBR
1800x600mm with single bowl and double drainers	CST1800SBD
2100x600mm with single bowl and left hand drainer	CST2100SBL
2100x600mm with single bowl and right hand drainer	CST2100SBR
2100x600mm with single bowl and double drainers	CST2100SBD
2400x600mm with single bowl and left hand drainer	CST2400SBL
2400x600mm with single bowl and right hand drainer	CST2400SBR

#### ORDERING CODE

CST1200SBL
CST1200SBR
CST1200SBD
CST1500SBL
CST1500SBR
CST1500SBD
CST1800SBL
CST1800SBR
CST1800SBD
CST2100SBL
CST2100SBR
CST2100SBD
CST2400SBL
CST2400SBR

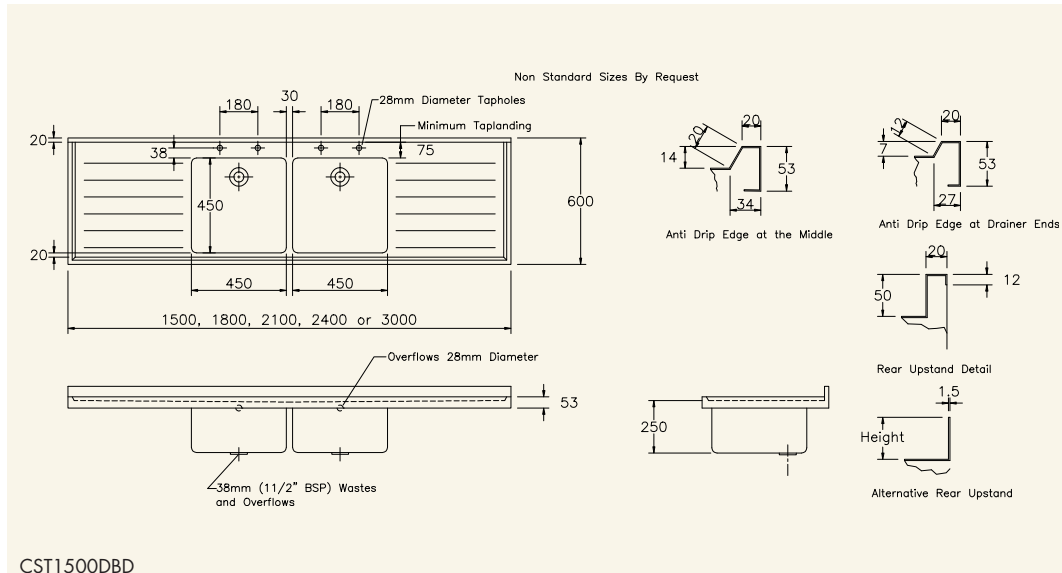
## DOUBLE BOWL SIT ON SINK TOPS

SDS heavy duty sit on sink tops are manufactured from 1.5mm thick 304 grade stainless steel throughout (optional 316 grade is available for laboratory use).

All standard units are manufactured in one piece with no on site assembly required, and are supplied with 2 tap holes at 180mm centres behind each bowl and 38mm (1 1/2" BSP) waste/overflow fittings.



1



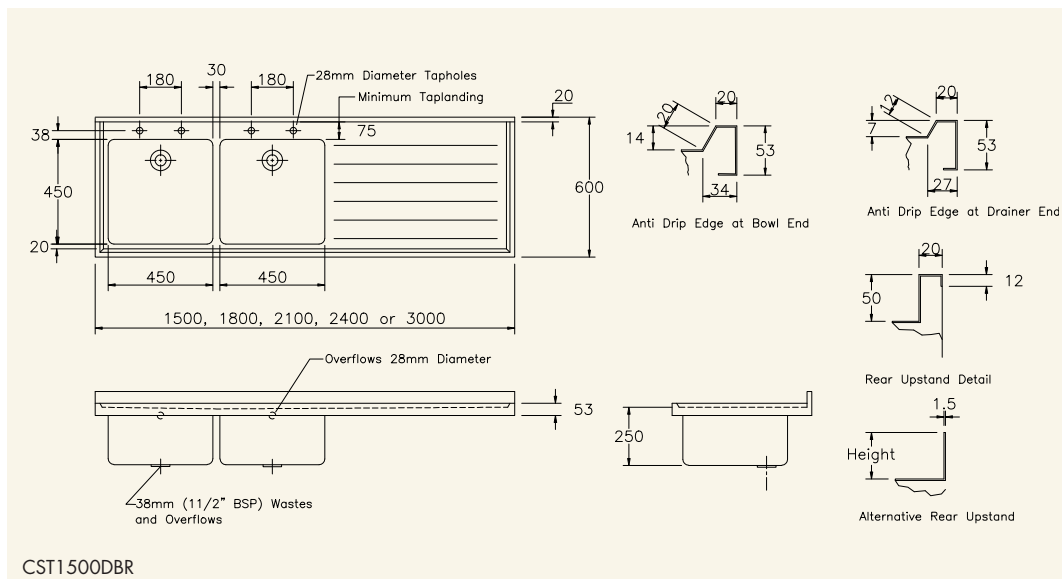
2



3



4



### Options

- Special size units
- Strainer waste fitting
- 316 Grade Stainless Steel
- Vulcathene waste fitting

1 Double Bowl Sit On Sink Top with Double Drainers

2 Double Bowl Sit On Sink Top with Double Drainers

3 Heavy Duty Fabricated Bowls

4 Ribbed Drainer

### PRODUCT DESCRIPTION

#### Sit On Sink Tops, Bowl Size 450x450x250mm

1500x600mm with double bowls and left hand drainer	CST1500DBL
1500x600mm with double bowls and right hand drainer	CST1500DBR
1500x600mm with double bowls and double drainers	CST1500DBD
1800x600mm with double bowls and left hand drainer	CST1800DBL
1800x600mm with double bowls and right hand drainer	CST1800DBR
1800x600mm with double bowls and double drainers	CST1800DBD
2100x600mm with double bowls and left hand drainer	CST2100DBL
2100x600mm with double bowls and right hand drainer	CST2100DBR
2100x600mm with double bowls and double drainers	CST2100DBD
2400x600mm with double bowls and left hand drainer	CST2400DBL
2400x600mm with double bowls and right hand drainer	CST2400DBR
2400x600mm with double bowls and double drainers	CST2400DBD
3000x600mm with double bowls and left hand drainer	CST3000DBL
3000x600mm with double bowls and right hand drainer	CST3000DBR
3000x600mm with double bowls and double drainers	CST3000DBD

### ORDERING CODE

CST1500DBL
CST1500DBR
CST1500DBD
CST1800DBL
CST1800DBR
CST1800DBD
CST2100DBL
CST2100DBR
CST2100DBD
CST2400DBL
CST2400DBR
CST2400DBD
CST3000DBL
CST3000DBR
CST3000DBD

## CATERING TABLES

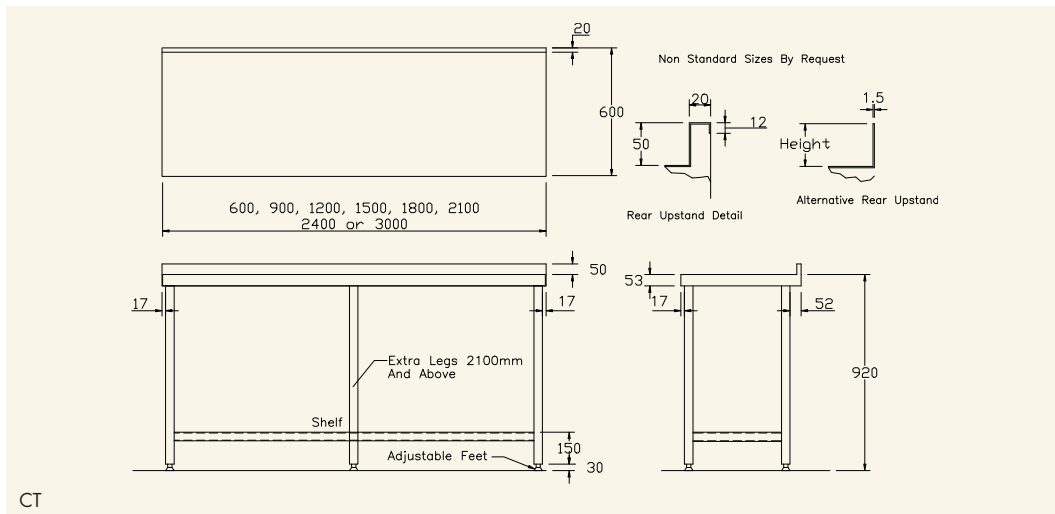
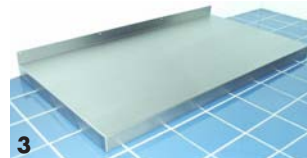
SDS heavy duty catering tables are manufactured from 1.5mm thick 304 grade stainless steel as one piece units of welded construction with an integral box section frame, undershelf and adjustable feet, no assembly is required.

Each table has a working height of 900mm and features a 50mm upstand to rear. Adjustable feet are provided to allow for uneven floor surfaces.

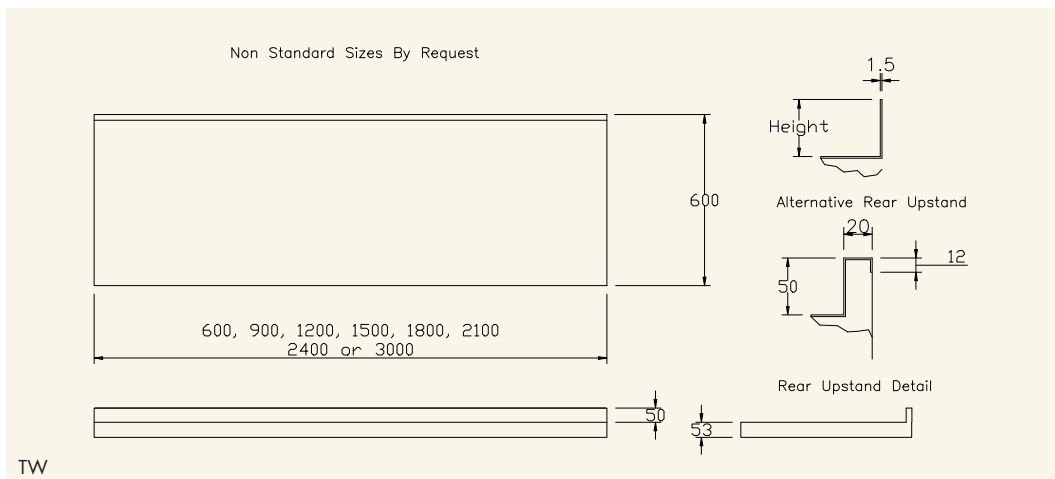
## WORKTOPS

Sit on worktops are manufactured from 1.5mm 304 grade stainless steel and incorporate a 50mm upstand to rear with 50mm downturns to front and sides.

A range of standard lengths are available with a width of 600mm, but almost any size and configuration can be manufactured.



CT



TW

- Options**
- Special size units
  - Corner cut outs

- 1 Catering Table
- 2 Catering Table
- 3 Sit On Worktop

### PRODUCT DESCRIPTION

### ORDERING CODE

Catering table 600x600mm with undershelf	CT600
Catering table 900x600mm with undershelf	CT900
Catering table 1200x600mm with undershelf	CT1200
Catering table 1500x600mm with undershelf	CT1500
Catering table 1800x600mm with undershelf	CT1800
Catering table 2100x600mm with undershelf	CT2100
Catering table 2400x600mm with undershelf	CT2400
Catering table 3000x600mm with undershelf	CT3000
Sit on worktop 600x600mm with upstand to rear	TW600
Sit on worktop 900x600mm with upstand to rear	TW900
Sit on worktop 1200x600mm with upstand to rear	TW1200
Sit on worktop 1500x600mm with upstand to rear	TW1500
Sit on worktop 1800x600mm with upstand to rear	TW1800
Sit on worktop 2100x600mm with upstand to rear	TW2100
Sit on worktop 2400x600mm with upstand to rear	TW2400
Sit on worktop 3000x600mm with upstand to rear	TW3000

catering

## CATERING SINK AND CUPBOARD UNITS

SDS heavy duty catering sink and cupboard units are manufactured from 1.5mm thick 304 grade stainless steel throughout.

All standard units are manufactured in one piece with no on site assembly required, and are supplied with 2 tap holes at 180mm centres behind each bowl, 38mm (1 1/2" BSP) waste/overflow fittings, hinged lockable doors incorporating high quality flush fitting lift and turn locks, an internal shelf and side panels.



1



2



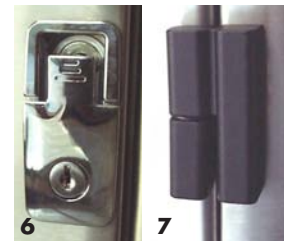
5



3

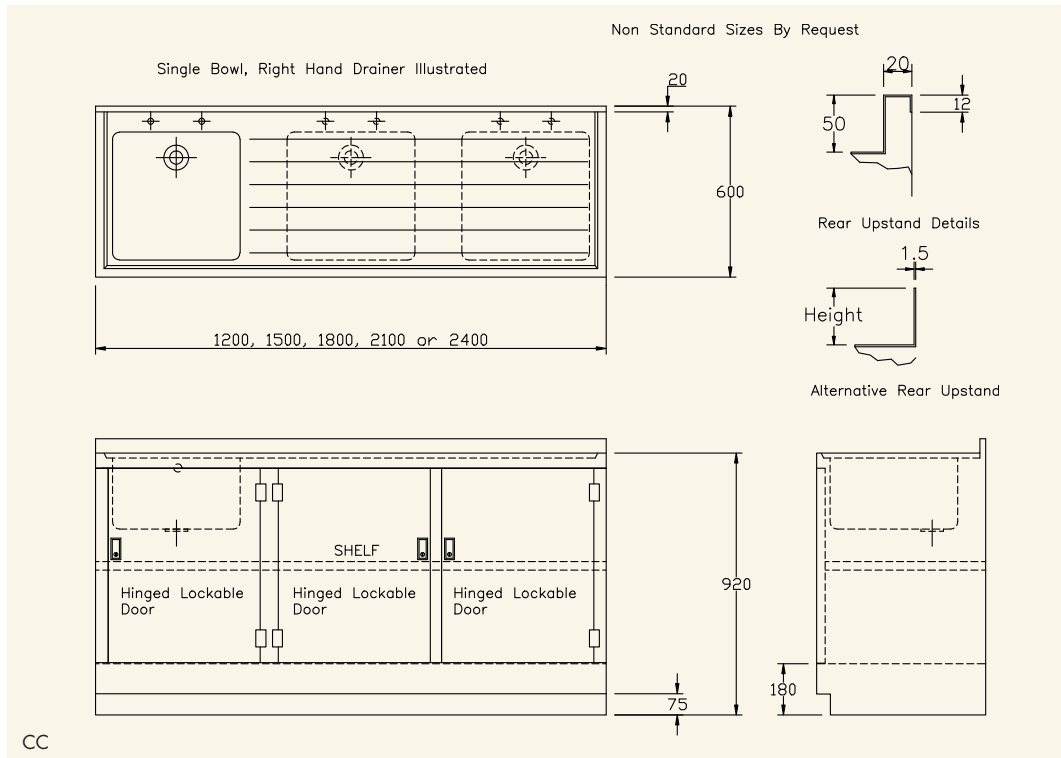


4



6

7



### PRODUCT DESCRIPTION

#### Catering Sink and Cupboard Units, Bowl Size 450x450x250mm

1200x600mm with 2 doors, single bowl and left hand drainer	CC1200SBL
1200x600mm with 2 doors, single bowl and right hand drainer	CC1200SBR
1200x600mm with 2 doors, single bowl and double drainers	CC1200SBD
1500x600mm with 3 doors, single bowl and left hand drainer	CC1500SBL
1500x600mm with 3 doors, single bowl and right hand drainer	CC1500SBR
1500x600mm with 3 doors, single bowl and double drainers	CC1500SBD
1500x600mm with 3 doors, double bowls and left hand drainer	CC1500DBL
1500x600mm with 3 doors, double bowls and right hand drainer	CC1500DBR
1500x600mm with 3 doors, double bowls and double drainers	CC1500DBD
1800x600mm with 3 doors, single bowl and left hand drainer	CC1800SBL
1800x600mm with 3 doors, single bowl and right hand drainer	CC1800SBR
1800x600mm with 3 doors, single bowl and double drainers	CC1800SBD
1800x600mm with 3 doors, double bowls and left hand drainer	CC1800DBL
1800x600mm with 3 doors, double bowls and right hand drainer	CC1800DBR
1800x600mm with 3 doors, double bowls and double drainers	CC1800DBD
2400x600mm with 4 doors, double bowls and left hand drainer	CC2400DBL
2400x600mm with 4 doors, double bowls and right hand drainer	CC2400DBR
2400x600mm with 4 doors, double bowls and double drainers	CC2400DBD

#### Catering Cupboard Units, No bowl

1200x600mm with 2 doors	CC1200
1500x600mm with 3 doors	CC1500
1800x600mm with 3 doors	CC1800
2100x600mm with 4 doors	CC2100
2400x600mm with 4 doors	CC2400

#### ORDERING CODE

CC1200SBL
CC1200SBR
CC1200SBD
CC1500SBL
CC1500SBR
CC1500SBD
CC1500DBL
CC1500DBR
CC1500DBD
CC1800SBL
CC1800SBR
CC1800SBD
CC1800DBL
CC1800DBR
CC1800DBD
CC2400DBL
CC2400DBR
CC2400DBD

#### ORDERING CODE

CC1200
CC1500
CC1800
CC2100
CC2400

### Options

- Special size units
- Service holes
- Sliding doors
- Strainer waste fittings
- Drawers
- Vulcathene waste fittings
- Back panels
- 316 Grade Stainless Steel
- Fixed front panels

1 Catering Sink and Cupboard unit with Double Bowls

2 Catering Sink and Cupboard Unit

3 Catering Sink and Cupboard Unit with Large Bowl

4 Catering Sink and Cupboard Unit with Sliding Doors

5 Catering Sink and Cupboard Unit with Drawers and Doors

6 Lift and Turn Lock

7 Hinge

catering



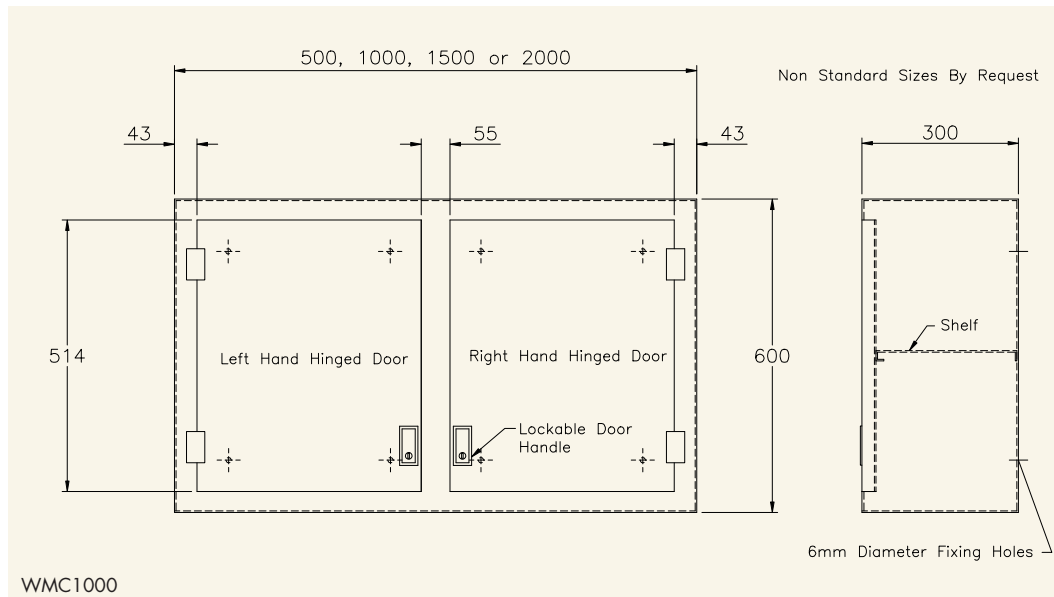
## WALL MOUNTED CUPBOARD UNIT

SDS wall mounted cupboard units are manufactured from 1.5mm thick 304 grade stainless steel and are supplied with hinged lockable doors and a mid height internal shelf.

Standard units are 600mm high and 300mm deep, but any size can be manufactured.

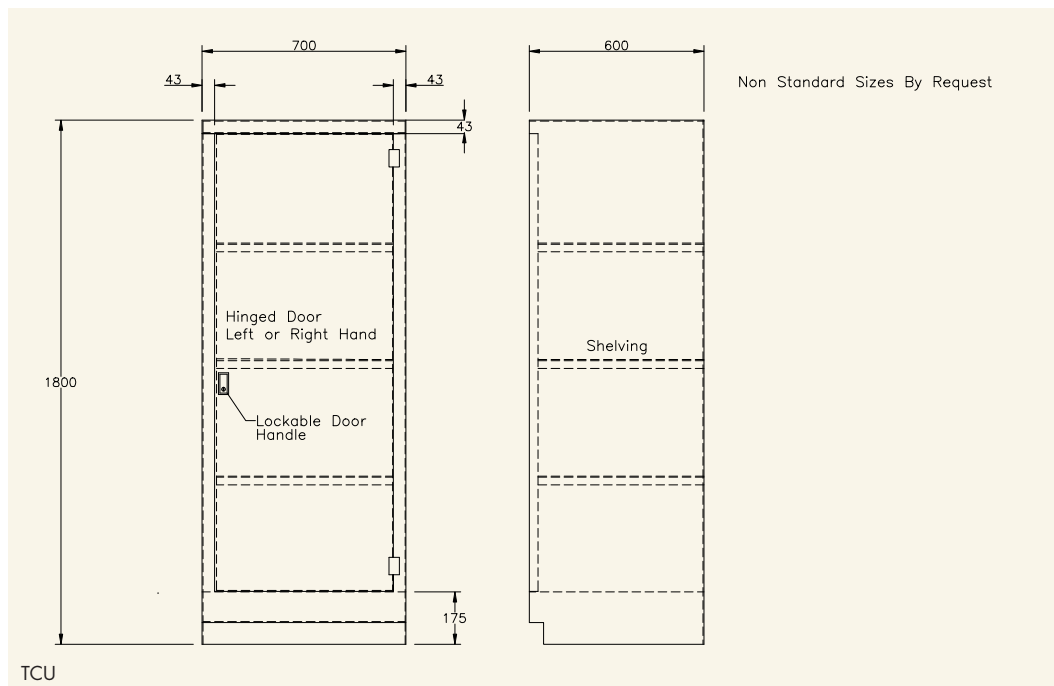
## TALL CUPBOARD UNIT

A large floor standing cupboard unit manufactured from 1.5mm thick 304 grade stainless steel, 700mm wide, 600mm deep and 1800mm high, providing secure high volume storage.



1/2 Wall Mounted Cupboard Unit

3/4 Tall Unit Cupboard



**PRODUCT DESCRIPTION**

- 500mm wall mounted cupboard unit, 1 door
- 1000mm wall mounted cupboard unit, 2 doors
- 1500mm wall mounted cupboard unit, 3 doors
- 2000mm wall mounted cupboard unit, 4 doors
- Tall cupboard unit 700mmx600mm x 1800mm

**ORDERING CODE**

- WMC500
- WMC1000
- WMC1500
- WMC2000
- TCU

catering

## BELFAST SINK

A heavy duty Belfast stainless steel sink unit manufactured in one piece with an integral stainless steel box section frame and supplied with a 38mm (1 1/2" BSP) waste/overflow fitting and adjustable feet.

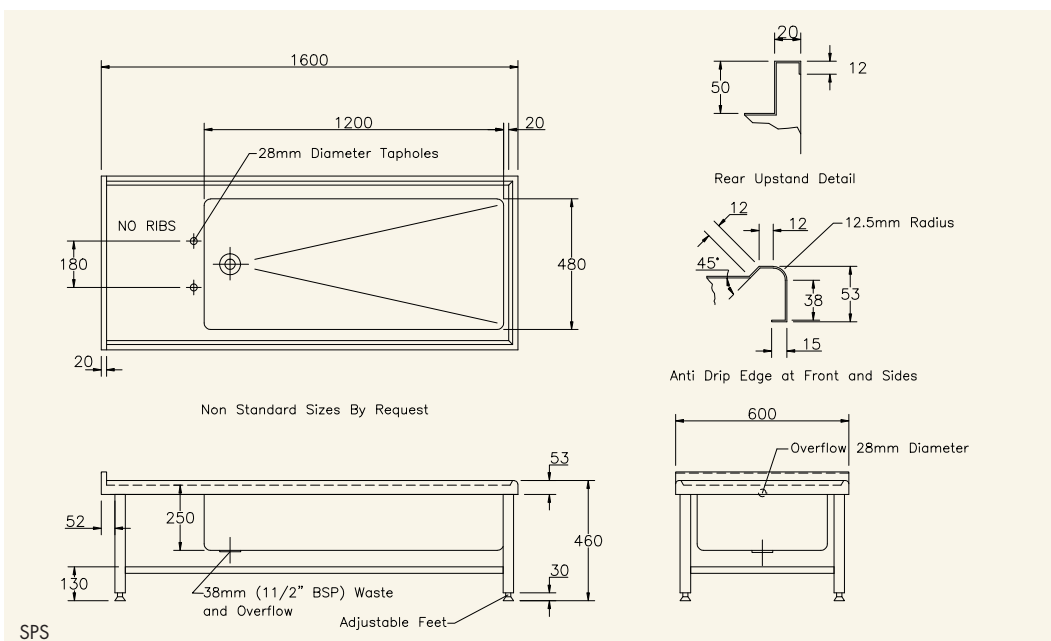
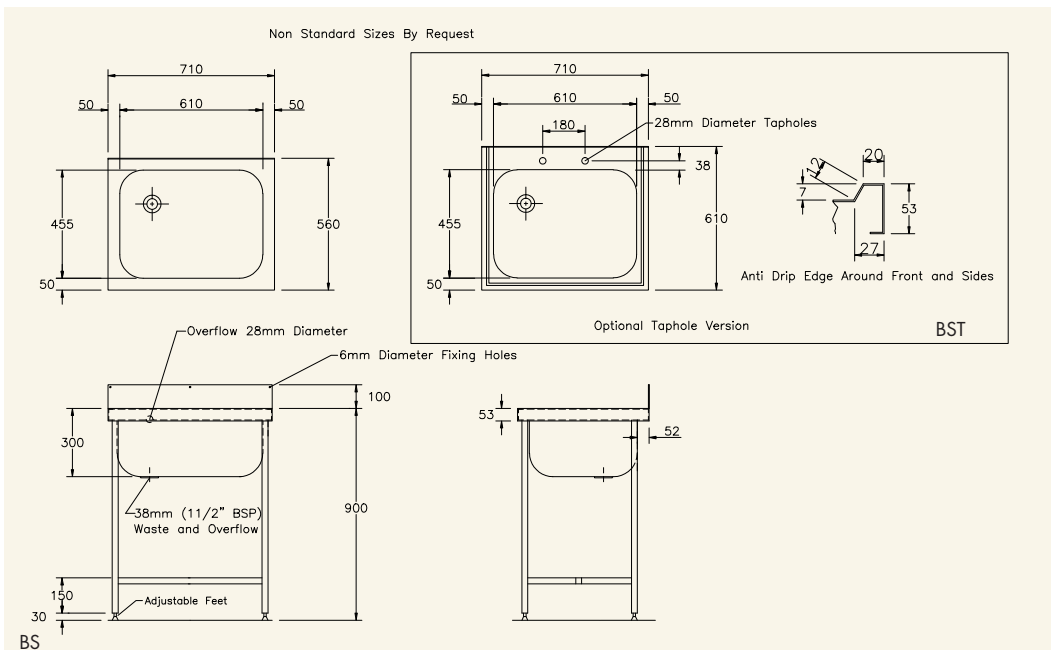
The standard unit is 710mm x 560mm overall with a bowl size of 610mm x 460mm x 290mm. Made to measure units can be manufactured to any size required.

A version with 2 tap holes at 180mm centres is also available; this unit is 710mm x 610mm overall.

## PLAY SINK

A Purpose designed Play Sink manufactured from 1.5mm thick 304 grade stainless steel, incorporating a rolled top edge to 3 sides for safety and a low frame for easy access.

The standard Play Sink is 1600mm x 600mm overall with a bowl 1200mm x 480mm x 250mm, and is supplied with 2 tap holes at 180mm centres, 38mm (1 1/2" BSP) waste/overflow fitting and adjustable feet. Made to measure units can be manufactured to any size required.



- 1 Standard Belfast Sink
- 2 Special Belfast Sink
- 3 Play Sink
- 4 Play Sink Rolled Edge
- 5 Play Sink Drainer

Catering Cupboard Units, No bowl	ORDERING CODE
Belfast sink on stand 710x560mm, no tap holes	BS
Belfast sink on stand 710x610mm, 2 tap holes	BST
Play sink 1600x600mm, 2 tap holes	SPS

## SPECIAL SIZE SELF RIMMING BOWLS

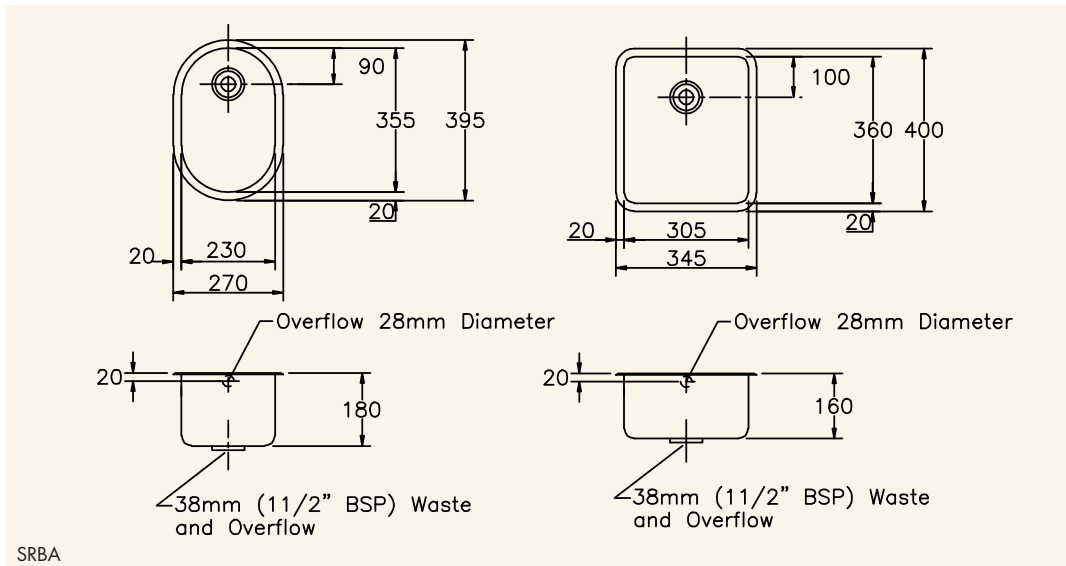
Made to measure self rimming bowls are fabricated from 1.5mm 304 grade stainless steel (or 316 grade for laboratory equipment) and are only suitable for heavy duty commercial applications, each has a 25mm radius to all internal corners.

Any size required can be manufactured and each is supplied with a 38mm (1 1/2" BSP) waste/overflow fitting and fixing clips.

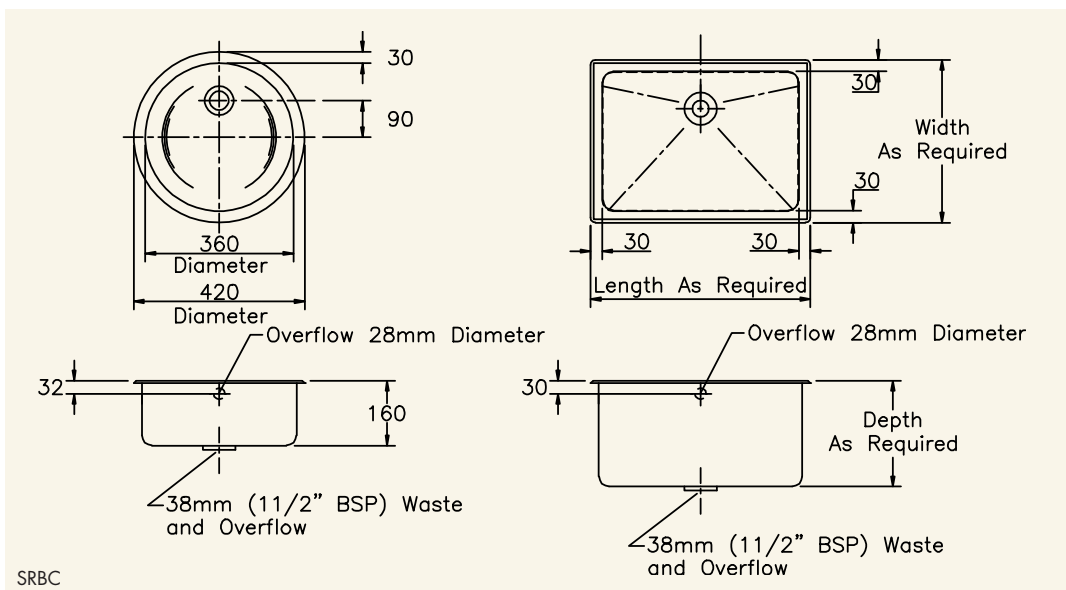
## STANDARD SIZE SELF RIMMING BOWLS

Standard self rimming bowls are pressed from 304 grade stainless steel and are suitable for commercial or domestic installations.

3 sizes are available and each is supplied complete with a 38mm (1 1/2" BSP) waste/overflow fitting and fixing clips.



SRBA



SRBC

### Options

- 316 grade Stainless Steel
- Strainer waste fittings
- Vulcathene waste fittings

1/3 Special Size Self Rimming Bowls SRBS

4 SRBA 5 SRBB 6 SRBC

### PRODUCT DESCRIPTION

- Self rimming bowl special size (add overall length, width and depth to code)
- Self rimming bowl A 270x395x180mm
- Self rimming bowl B 345x400x180mm
- Self rimming bowl type C 420mm diameter x 160mm deep

### ORDERING CODE

- SRBS
- SRBA
- SRBB
- SRBC

catering

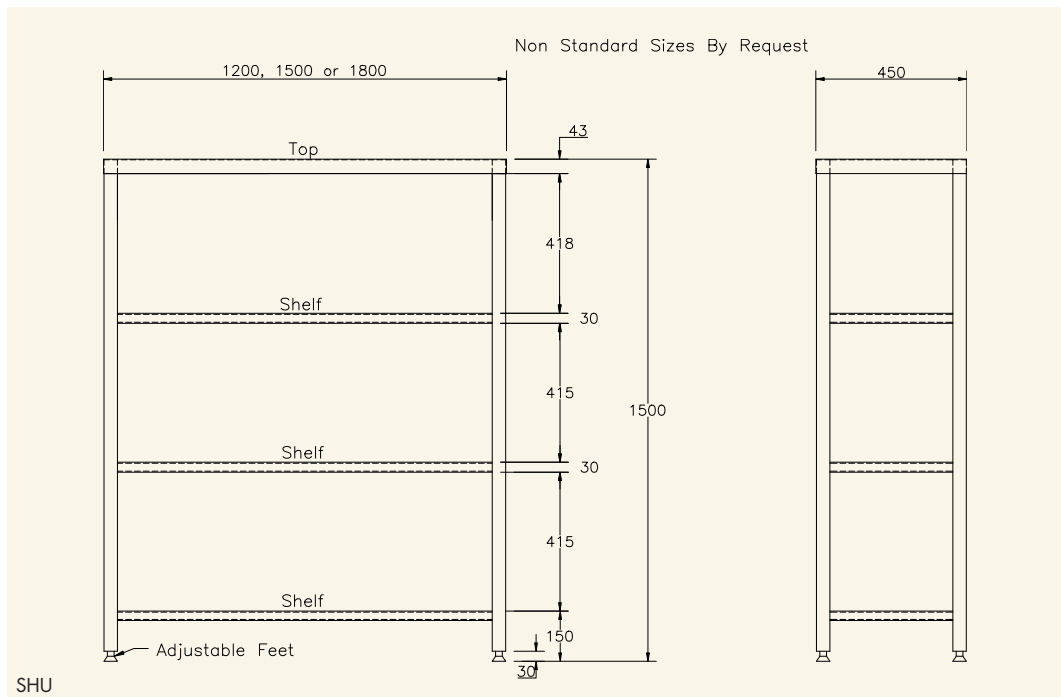
## WALL MOUNTED SHELF

A heavy duty wall mounted shelf designed for catering applications, standard width is 300mm with integral wall fixing brackets at approximately 1000mm centres.

## FLOOR STANDING SHELVING UNIT

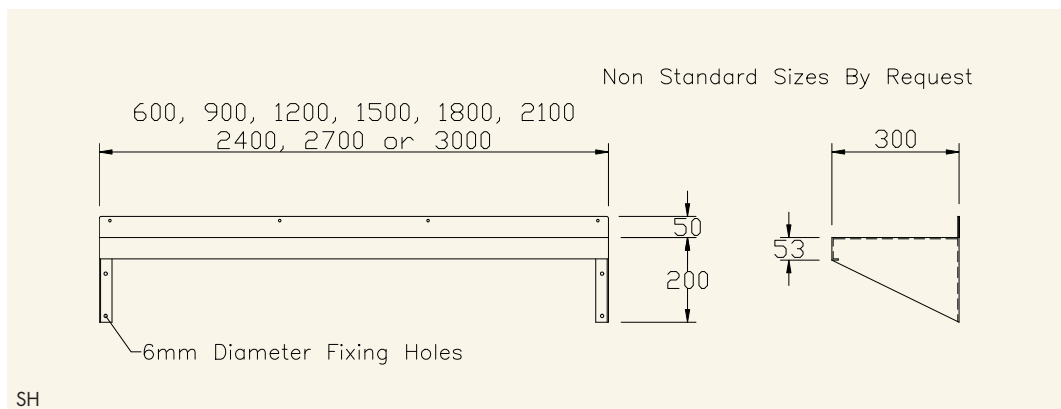
A heavy duty shelving unit designed for catering applications, standard width is 450mm, and each unit has 4 tiers and an overall height of 1500mm.

Shelves and shelving units of any width and depth can also be made to measure.



1 Wall Mounted Shelf

2 Floor Standing Shelving Unit



### Catering Cupboard Units, No bowl

Wall mounted shelf 600mmx300mm

Wall mounted shelf 900mmx300mm

Wall mounted shelf 1200mmx300mm

Wall mounted shelf 1500mmx300mm

Wall mounted shelf 1800mmx300mm

Wall mounted shelf 2100mmx300mm

Wall mounted shelf 2400mmx300mm

Wall mounted shelf 2700mmx300mm

Wall mounted shelf 3000mmx300mm

Shelving Unit 1200mmx450mmx1500mm

Shelving Unit 1500mmx450mmx1500mm

Shelving Unit 1800mmx450mmx1500mm

### ORDERING CODE

SH600

SH900

SH1200

SH1500

SH1800

SH2100

SH2400

SH2700

SH3000

SHU1200

SHU1500

SHU1800

# SECURITY BASINS

Security washbasins are designed for use in high risk areas and feature all services enclosed within a stainless steel shroud.

The basins are available as either a wall mounted unit with a sloping shroud or a full down to floor type.

Both models incorporate a removable access panel for service access and are supplied with a 32mm (1 1/2" BSP) waste/overflow fitting and 2 tap holes, optionally one or both can be deleted.



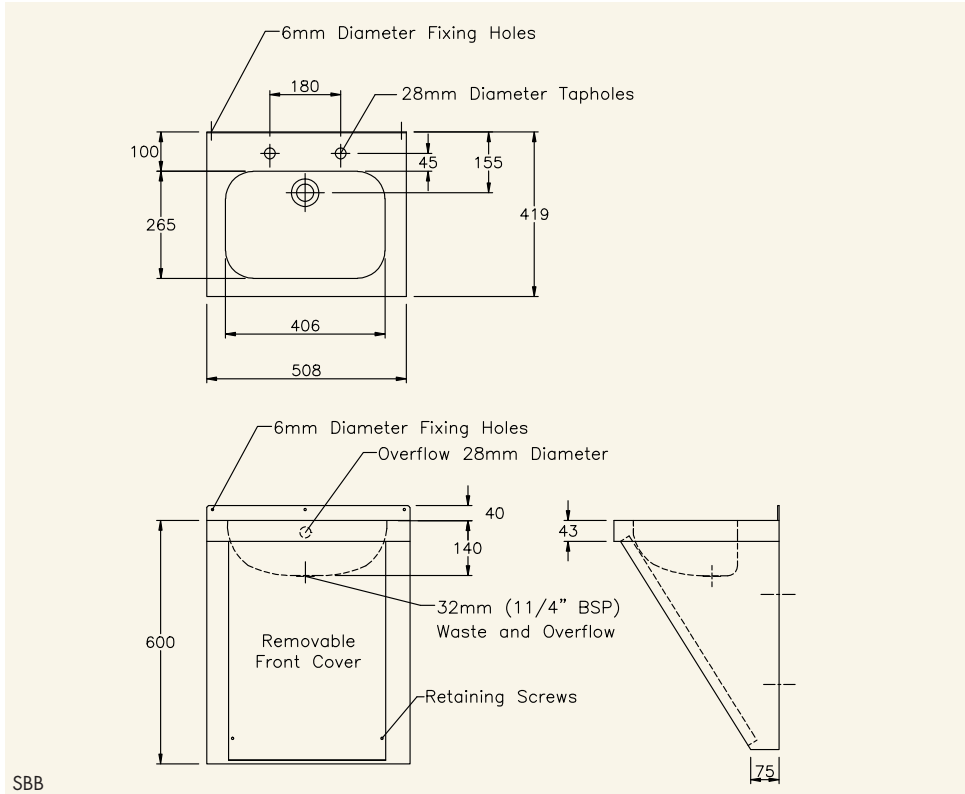
1



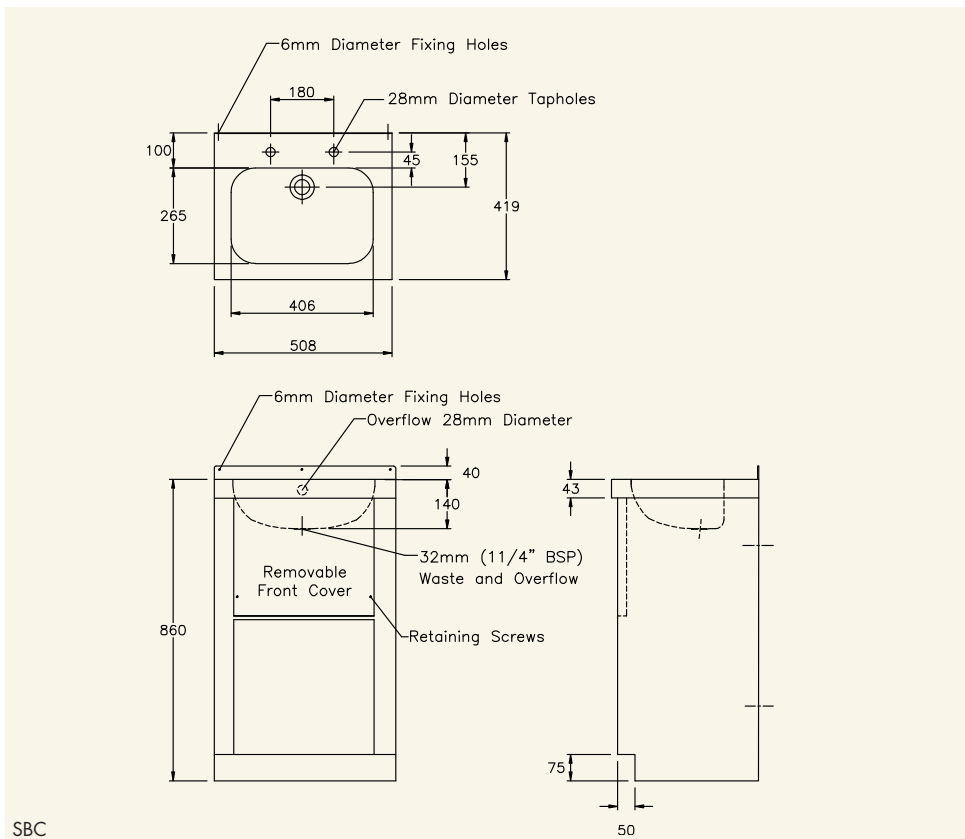
2

1 Wall Mounted Security Basin

2 Floor Standing Security Basin



SBB



SBC

**PRODUCT DESCRIPTION**

- Wall mounted security basin with 2 tapholes
- Floor mounted security basin with 2 tapholes

**ORDERING CODE**

- SBB
- SBC

handwash

# VANITY UNITS

The SDS stainless steel vanity unit is available with up to 6 basins and in 3 different models:

**TYPE A:** Wall mounted unit with no underskirt for low risk areas.

**TYPE B:** Wall mounted unit with a sloping shroud and removable access panel.

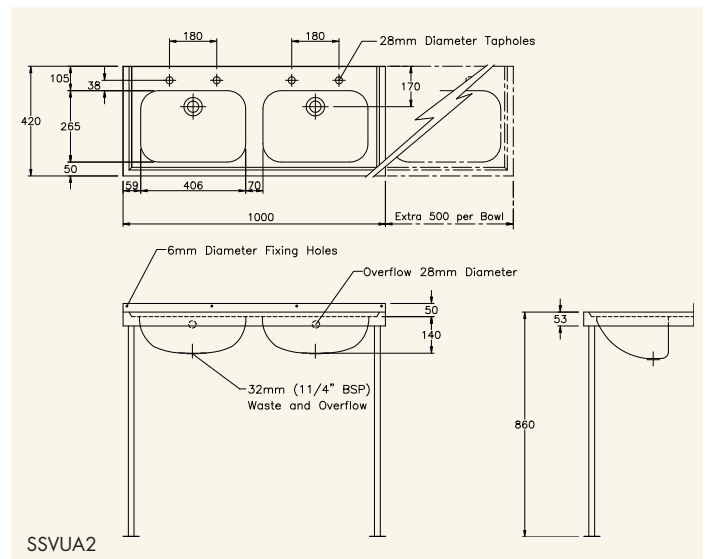
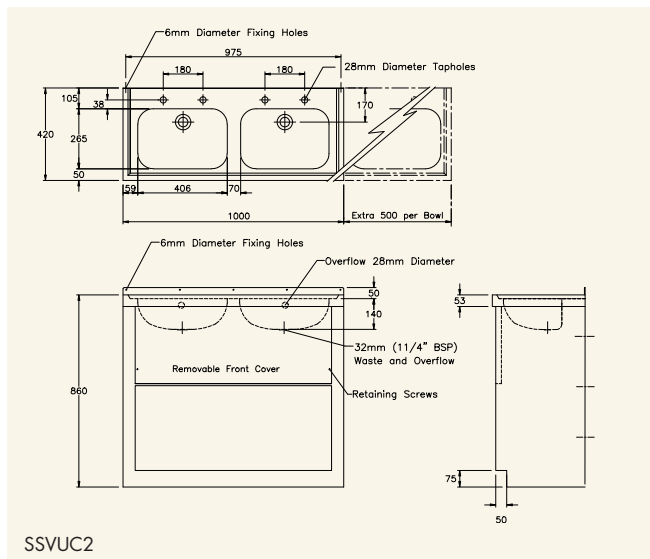
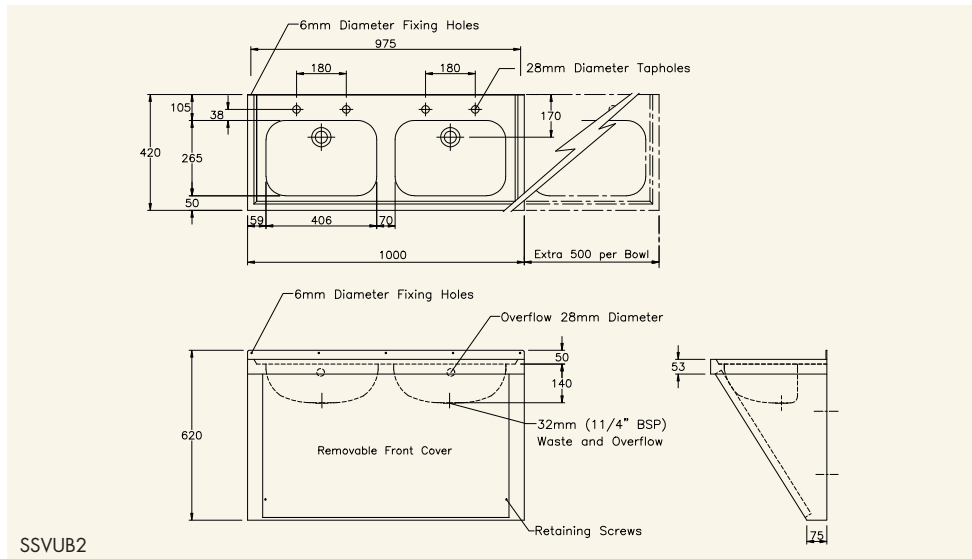
**TYPE C:** Floor standing unit with a down to floor shroud and removable access panel.

All units are 420mm wide with a length of 500mm per basin, and are supplied with 32mm (1 1/2" BSP) waste/overflow fittings.

2 tap holes per basin are provided as standard but optionally one or both can be deleted.



1 Vanity Unit Type A  
2 Vanity Unit Type B  
3 Vanity Unit Type C  
4 Access Panel Fixing Detail



**PRODUCT DESCRIPTION**

- 2 basin vanity unit with front support legs and wall brackets
- 3 basin vanity unit with front support legs and wall brackets
- 4 basin vanity unit with front support legs and wall brackets
- 5 basin vanity unit with front support legs and wall brackets
- 6 basin vanity unit with front support legs and wall brackets
- 2 basin wall mounted vanity unit with removable access panel
- 3 basin wall mounted vanity unit with removable access panel
- 4 basin wall mounted vanity unit with removable access panel
- 5 basin wall mounted vanity unit with removable access panel
- 6 basin wall mounted vanity unit with removable access panel
- 2 basin floor standing vanity unit with removable access panel
- 3 basin floor standing vanity unit with removable access panel
- 4 basin floor standing vanity unit with removable access panel
- 5 basin floor standing vanity unit with removable access panel
- 6 basin floor standing vanity unit with removable access panel

**ORDERING CODE**

- SSVUA2
- SSVUA3
- SSVUA4
- SSVUA5
- SSVUA6
- SSVUB2
- SSVUB3
- SSVUB4
- SSVUB5
- SSVUB6
- SSVUC2
- SSVUC3
- SSVUC4
- SSVUC5
- SSVUC6

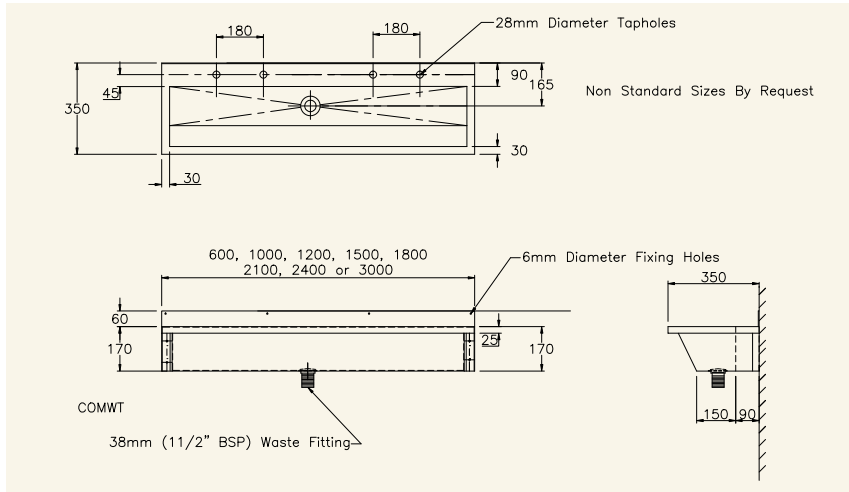
handwash

## COMPACT WALL MOUNTED WASH TROUGHS

Compact wash troughs are ideal for situations where space is at a premium but a top quality product is still required, they are also ideal for use by children. The trough protrudes 350mm and incorporates all the features of our larger troughs. It also includes a safety edge to the front and sides.

An inset model is also available.

A 38mm (1½" BSP) flush grated waste fitting is provided as standard and the compact wash trough can also be supplied with integral soap dispensers, or as a full package with non concussive taps and a trap.



1 Compact Wash Trough Soap Dispenser



2 Compact Wash Trough



### PRODUCT DESCRIPTION

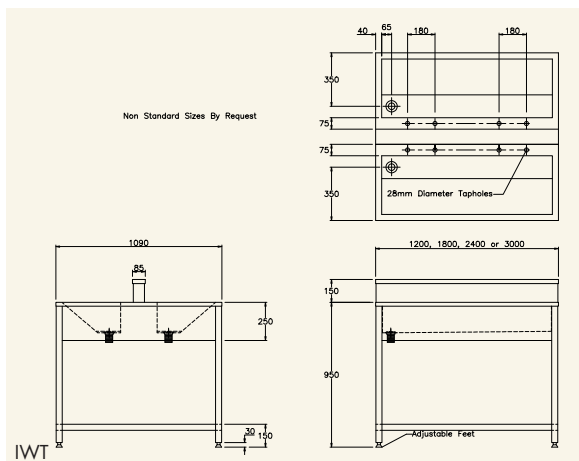
- 1200mm compact wash trough, L/H outlet, 2 pairs tap holes
- 1200mm compact wash trough, R/H outlet, 2 pairs tap holes
- 1200mm compact wash trough, centre outlet, 2 pairs tap holes
- 1500mm compact wash trough, L/H outlet, 3 pairs tap holes
- 1500mm compact wash trough, R/H outlet, 3 pairs tap holes
- 1500mm compact wash trough, centre outlet, 2 pairs tap holes
- 1800mm compact wash trough, L/H outlet, 3 pairs tap holes
- 1800mm compact wash trough, R/H outlet, 3 pairs tap holes
- 1800mm compact wash trough, centre outlet, 2 pairs tap holes
- 2100mm compact wash trough, L/H outlet, 3 pairs tap holes
- 2100mm compact wash trough, R/H outlet, 3 pairs tap holes
- 2100mm compact wash trough, centre outlet, 2 pairs tap holes
- 2400mm compact wash trough, L/H outlet, 4 pairs tap holes
- 2400mm compact wash trough, R/H outlet, 4 pairs tap holes
- 2400mm compact wash trough, centre outlet, 2 pairs tap holes

### ORDERING CODE

- COMWT1200L
- COMWT1200R
- COMWT1200C
- COMWT 1500L
- COMWT 1500R
- COMWT 1500C
- COMWT1800L
- COMWT1800R
- COMWT1800C
- COMWT2100L
- COMWT2100R
- COMWT2100C
- COMWT2400L
- COMWT2400R
- COMWT2400C

## ISLAND WASH TROUGHS

The Island wash trough is manufactured in one piece and is provided with a tap landing on each side, pairs of tap holes for deck mounted taps, 38mm (1½" BSP) flush grated waste fittings to one end and adjustable feet.



### Options

- Special size units (up to 3000mm in one piece)
- Front Support Legs
- Integral Soap Dispensers
- Monoblock tap holes
- Single tap holes

1 Island Wash Trough

### PRODUCT DESCRIPTION

- 1200mm Island Wash Trough, 4 pairs tap holes
- 1800mm Island Wash Trough, 6 pairs tap holes
- 2400mm Island Wash Trough, 8 pairs tap holes
- 3000mm Island Wash Trough, 8 pairs tap holes

### ORDERING CODE

- IWT1200
- IWT1800
- IWT2400
- IWT3000

handwash

## WALL MOUNTED WASH TROUGHS

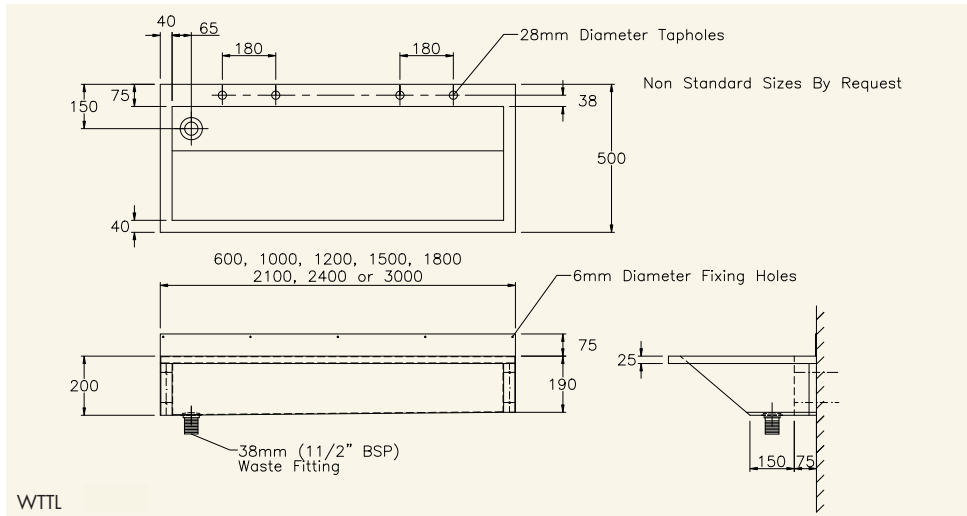
Wall mounted wash troughs are provided with a tap landing and pairs of tap holes for deck mounted taps (WTTL) or alternatively with a 150mm splash back to rear for use with wall mounted taps (WTSB). Also supplied is a 38mm (1 1/2" BSP) flush grated waste fitting to one end.



1



2



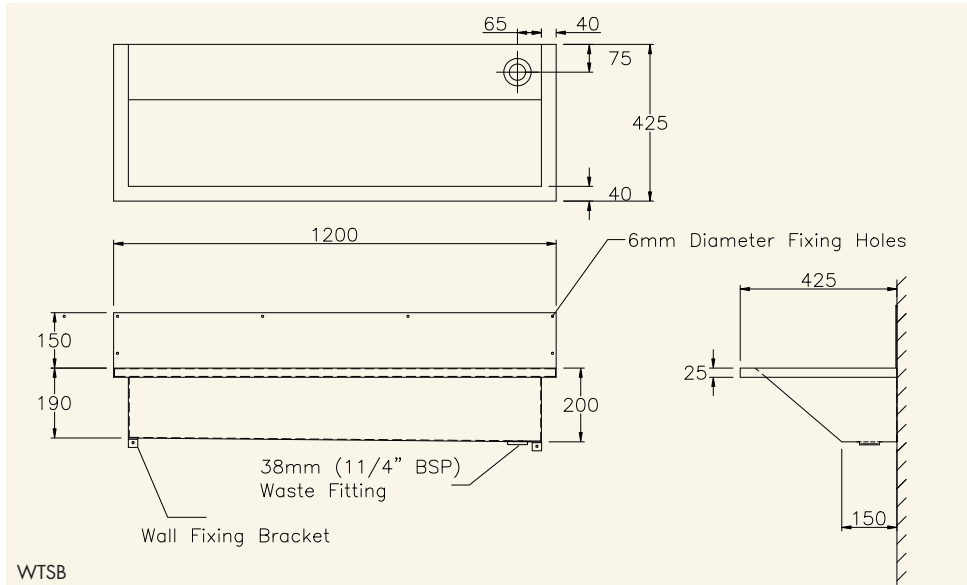
WTTL

### Options

- Special size units (up to 3000mm in one piece)
- Front Support Legs
- Deck Mounted Soap Dispensers
- Monoblock tap holes
- Single tap holes

1 Taplanding Wash Trough

2 Splashback Wash Trough



WTSB

### PRODUCT DESCRIPTION

600mm tap landing wash trough, L/H outlet, 1 pair tap holes
600mm tap landing wash trough, R/H outlet, 1 pair tap holes
600mm tap landing wash trough, centre outlet, 1 pair tap holes
1000mm tap landing wash trough, L/H outlet, 2 pairs tap holes
1000mm tap landing wash trough, R/H outlet, 2 pairs tap holes
1000mm tap landing wash trough, centre outlet, 2 pairs tap holes
1200mm tap landing wash trough, L/H outlet, 2 pairs tap holes
1200mm tap landing wash trough, R/H outlet, 2 pairs tap holes
1200mm tap landing wash trough, centre outlet, 2 pairs tap holes
1500mm tap landing wash trough, L/H outlet, 3 pairs tap holes
1500mm tap landing wash trough, R/H outlet, 3 pairs tap holes
1500mm tap landing wash trough, centre outlet, 3 pairs tap holes
1800mm tap landing wash trough, L/H outlet, 3 pairs tap holes
1800mm tap landing wash trough, R/H outlet, 3 pairs tap holes
1800mm tap landing wash trough, centre outlet, 3 pairs tap holes
2100mm tap landing wash trough, L/H outlet, 3 pairs tap holes
2100mm tap landing wash trough, R/H outlet, 3 pairs tap holes
2100mm tap landing wash trough, centre outlet, 3 pairs tap holes
2400mm tap landing wash trough, L/H outlet, 4 pairs tap holes
2400mm tap landing wash trough, R/H outlet, 4 pairs tap holes
3000mm tap landing wash trough, L/H outlet, 5 pairs tap holes
3000mm tap landing wash trough, R/H outlet, 5 pairs tap holes

### ORDERING CODE

WTTL600L
WTTL600R
WTTL600C
WTTL1000L
WTTL1000R
WTTL1000C
WTTL1200L
WTTL1200R
WTTL1200C
WTTL1500L
WTTL1500R
WTTL1500C
WTTL1800L
WTTL1800R
WTTL1800C
WTTL2100L
WTTL2100R
WTTL2100C
WTTL2400L
WTTL2400R
WTTL3000L
WTTL3000R

For Splashback type wash troughs replace ordering code WTTL with WTSB



# CIRCULAR AND SEMI CIRCULAR WASH TROUGHS

SDS Circular wash troughs are available in 3 models to suit up to 4, 6 or 8 persons at a time. The Semi Circular Wash Trough is designed for use by up to 4 persons.

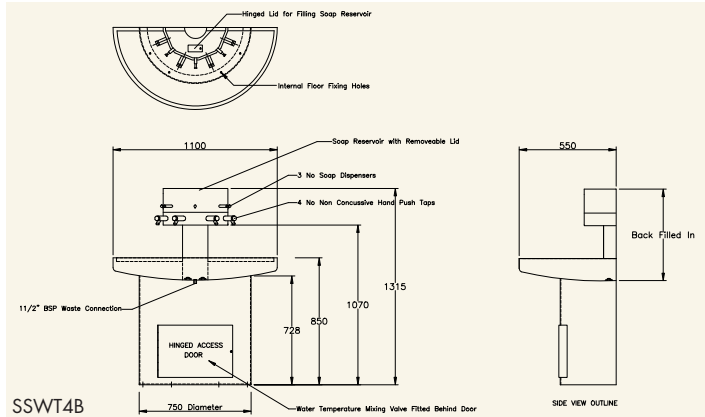
All models are provided with non concussive hand push taps, integral soap dispensers and a thermostatic blending valve concealed within the base unit.

2 versions are available, a bottom inlet version for under floor service entry, (or rear entry on the semi circular model) and a top inlet version where services are routed vertically downwards through the central column (The floor to ceiling height must be specified with order on this model as the central column is made to suit). On both versions the bowl is easily removable from the base unit for access through standard width doors.

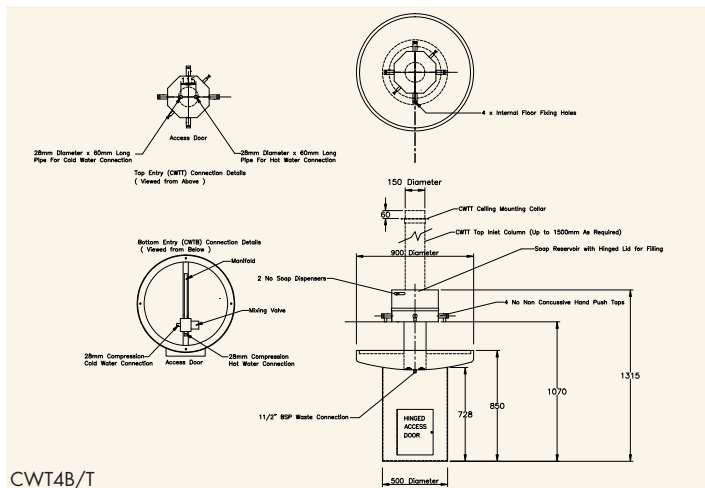


1 Non Concussive Taps and Soap Dispensers 2 Circular Wash Trough 6 Person

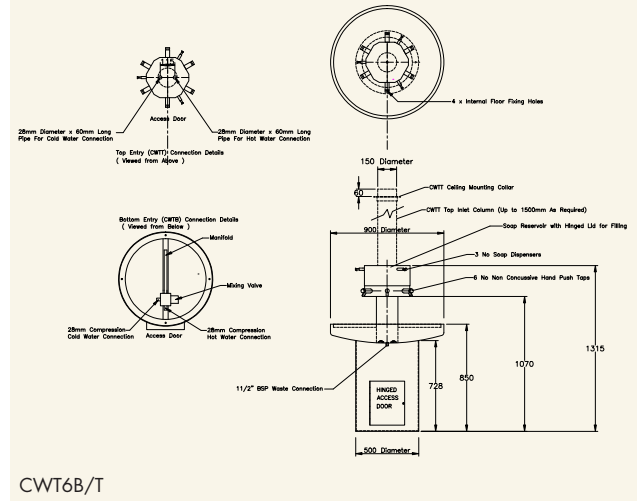
3 Semi Circular Wash Trough



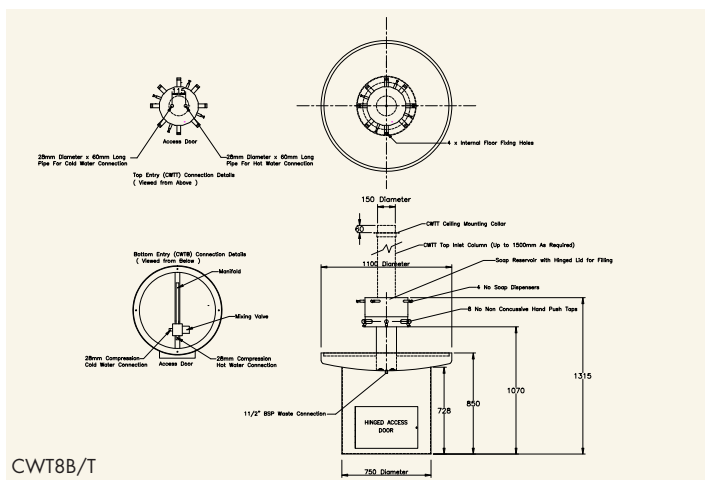
SSWT4B



CWT4B/T



CWT6B/T



CWT8B/T

**PRODUCT DESCRIPTION**

- 8 Person Circular Wash Trough, Bottom Entry
- 8 Person Circular Wash Trough, Top Entry
- 6 Person Circular Wash Trough, Bottom Entry
- 6 Person Circular Wash Trough, Top Entry
- 4 Person Circular Wash Trough, Bottom Entry
- 4 Person Circular Wash Trough, Top Entry
- 4 Person Semi Circular Wash Trough, Bottom/Back Entry
- 4 Person Semi Circular Wash Trough, Top Entry

**ORDERING CODE**

- CWT8B
- CWT8T
- CWT6B
- CWT6T
- CWT4B
- CWT4T
- SSWT4B
- SSWT4T

handwash

# HAND RINSE UNITS

SDS stainless steel hand rinse units are designed for recessing into a wall in situations where soap and hot air facilities are not required.

The standard hand rinse unit (HRU) is supplied with a push button timed flow valve ready for connection to a pre-mixed water supply and is ideal for use in public conveniences.

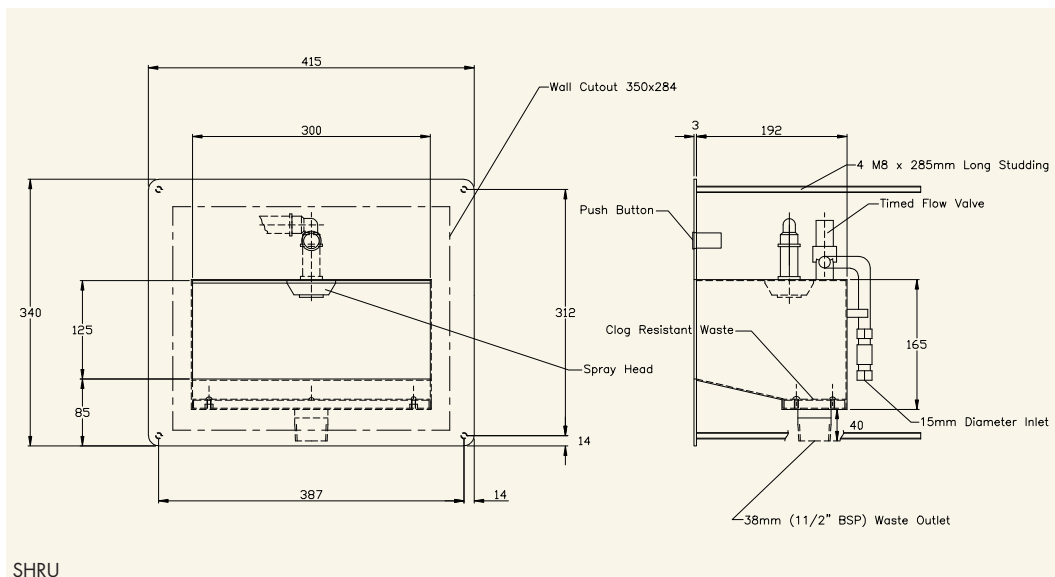
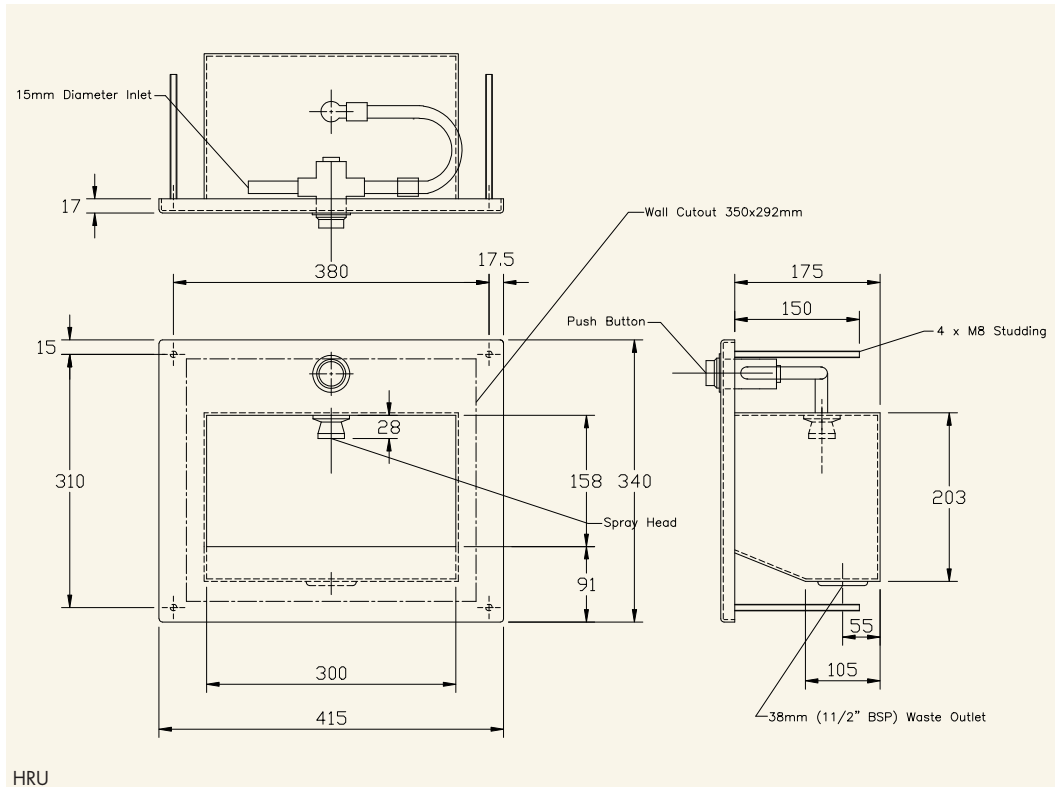
The electronically operated secure facility hand rinse unit (SHRU) is purpose designed for use in secure establishments and incorporates many advanced features, including a clog resistant waste and an electronic control unit to prevent deliberate flooding.

Both models are supplied with a waste fitting and through wall fixings.



1

1 Standard Hand Rinse Unit (HRU)



**PRODUCT DESCRIPTION**

- Standard hand rinse unit
- Secure facility hand rinse unit

**ORDERING CODE**

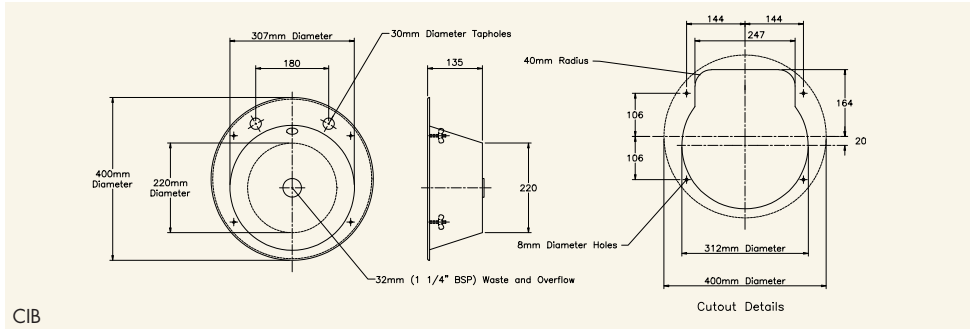
- HRU
- SHRU

handwash

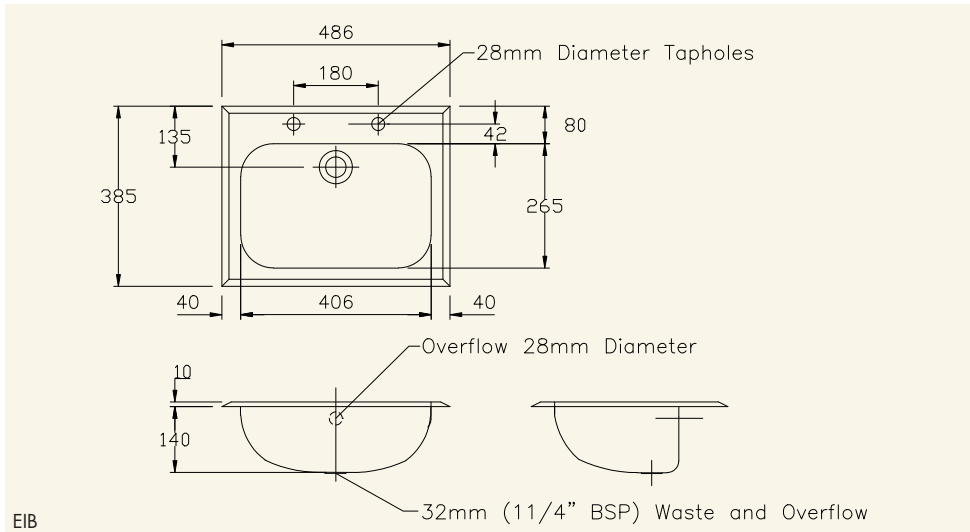
# LARGE WASHBASINS

Large washbasins are supplied with a 32mm (1 1/4" BSP) waste/overflow fitting and 2 tapholes.

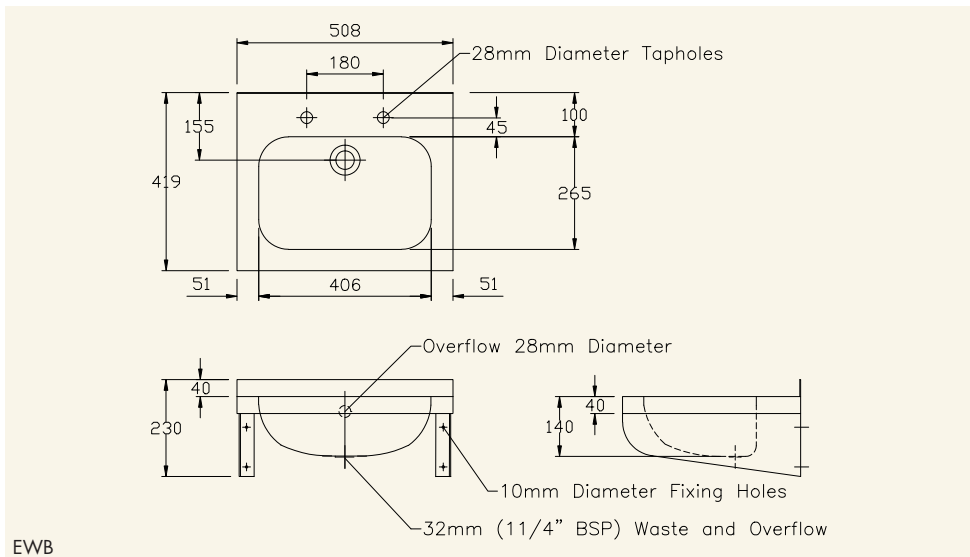
Inset washbasins are provided with fixing clips, the EWB wall mounted basin has wall fixing brackets and can also be supplied with front support legs and side fixings to enable the assembly of ranges of multiple basins.



CIB



EIB



EWB

1 Inset Circular Washbasin (CIB)

2 Inset Square Washbasin (EIB)

3 Wall Mounted Washbasin (EWB)

**PRODUCT DESCRIPTION**

PRODUCT DESCRIPTION	ORDERING CODE
Inset circular washbasin	CIB
Inset square washbasin	EIB
Wall mounted washbasin	EWB
Wall mounted washbasin with front support legs	EWB1
Range of 2 wall mounted washbasins with front support legs	EWB2
Range of 3 wall mounted washbasins with front support legs	EWB3
Range of 4 wall mounted washbasins with front support legs	EWB4
Range of 5 wall mounted washbasins with front support legs	EWB5
Range of 6 wall mounted washbasins with front support legs	EWB6
Range of 7 wall mounted washbasins with front support legs	EWB7
Range of 8 wall mounted washbasins with front support legs	EWB8

handwash

### SMALL WASHBASINS

A range of smaller washbasins suitable for use in areas of restricted space, or where separate hand washing facilities are required in catering situations.

Each basin is supplied with a 32mm (1¼" BSP) waste/overflow fitting and 2 tapholes.

The mini wash basin is ideally suited for disabled use, and is also available with a sloping or down to floor shroud with removable access panel, or as an inset version.



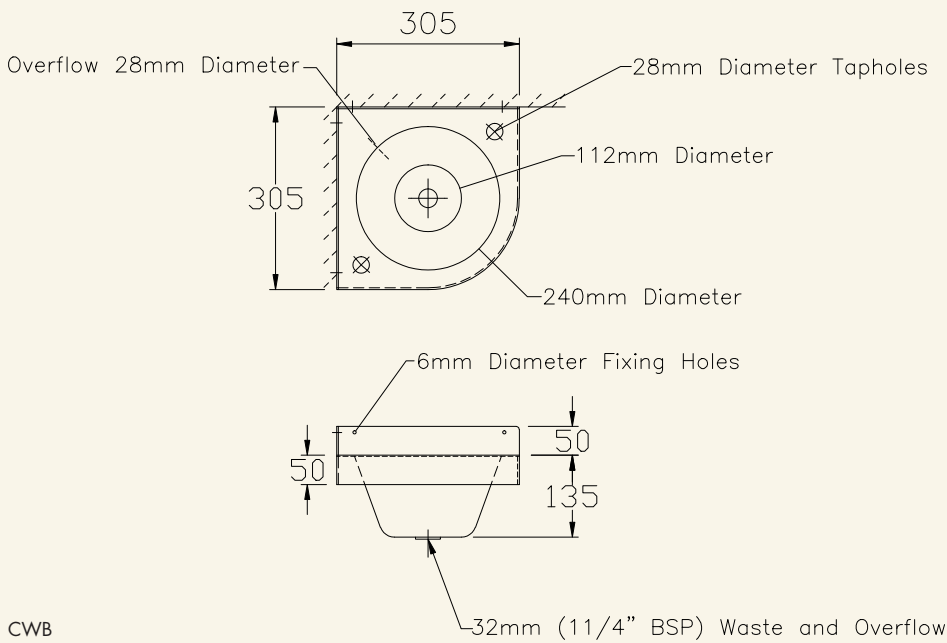
1



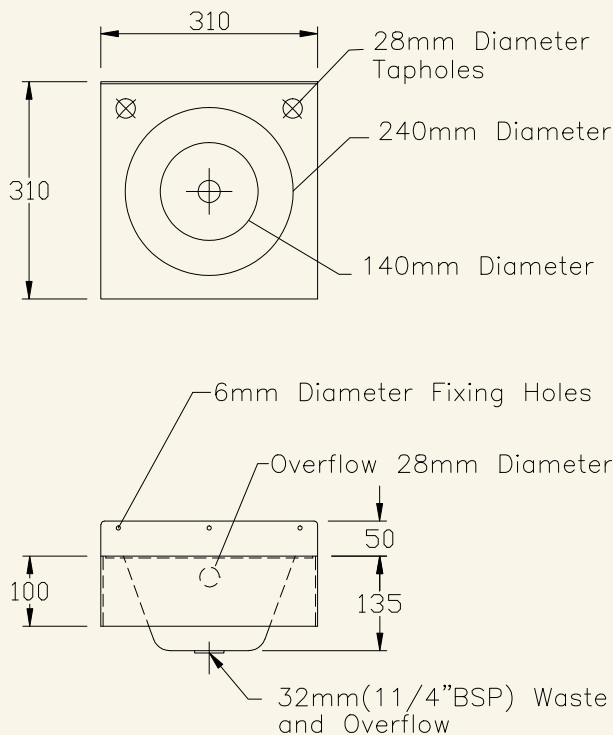
2

1 Wall Mounted Corner Washbasin (CWB)

2 Wall Mounted Round Washbasin (RWB)



CWB



RWB

**PRODUCT DESCRIPTION**

Wall mounted corner washbasin  
Wall mounted round washbasin

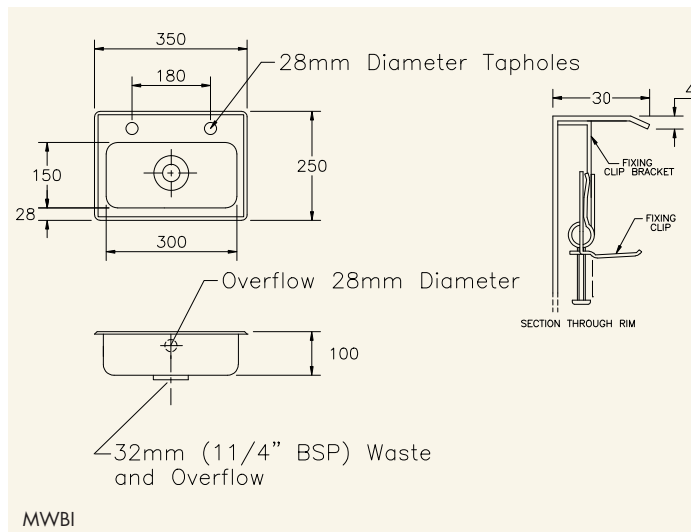
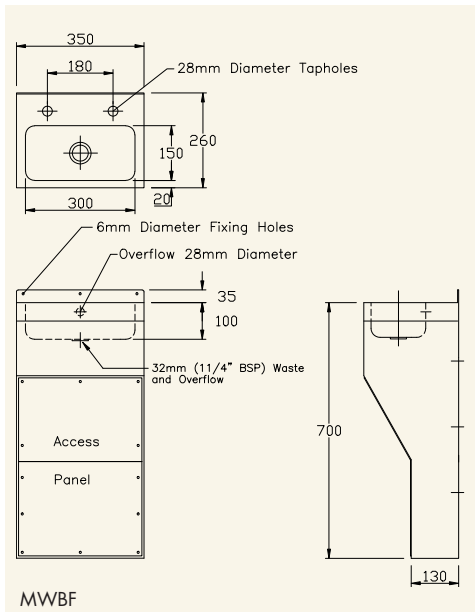
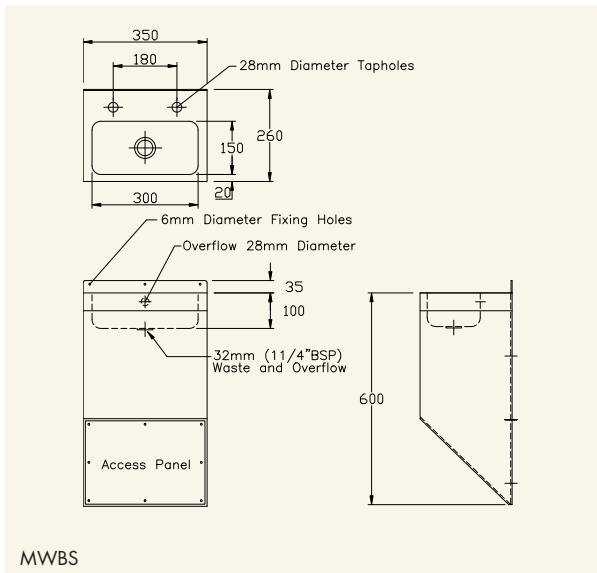
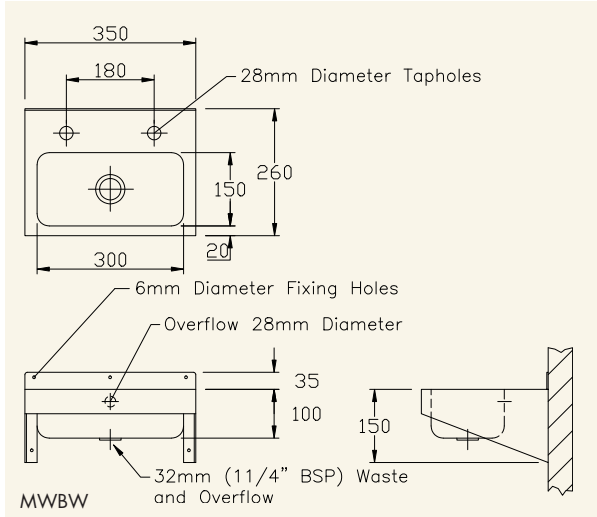
**ORDERING CODE**

CWB  
RWB

handwash

# SMALL WASHBASINS

continued



1 Wall Mounted Mini Washbasin (MWBW)

2 Wall Mounted Mini Washbasin with Shroud (MWBS)

3 Floor Standing Mini Washbasin with Shroud (MWBF)

4 Inset Mini Washbasin (MWBI)

**PRODUCT DESCRIPTION**

Wall mounted mini washbasin

Wall mounted mini washbasin with shroud

Floor standing mini washbasin with shroud

Inset mini washbasin

**ORDERING CODE**

MWBW

MWBS

MWBF

MWBI

handwash

## TOILET TISSUE DISPENSERS

### MINI JUMBO ROLL TOILET TISSUE DISPENSER

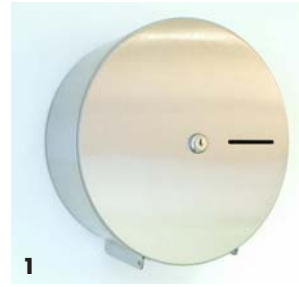
A Stainless Steel lockable dispenser to suit 250 metre rolls with a core size of 57 millimetres.  
 Dimensions: 273mm diameter, 120mm projection.

### JUMBO ROLL TOILET TISSUE DISPENSER

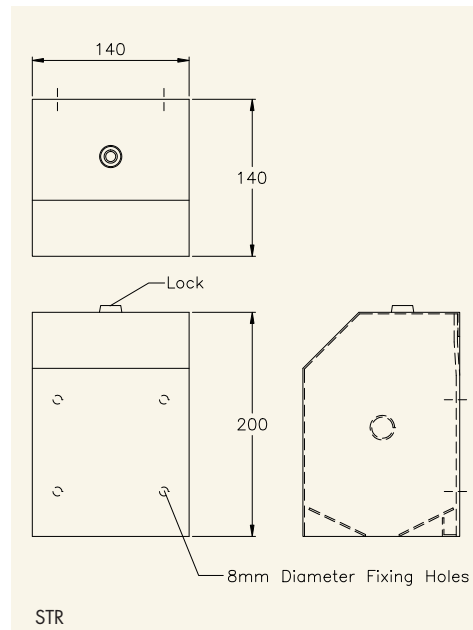
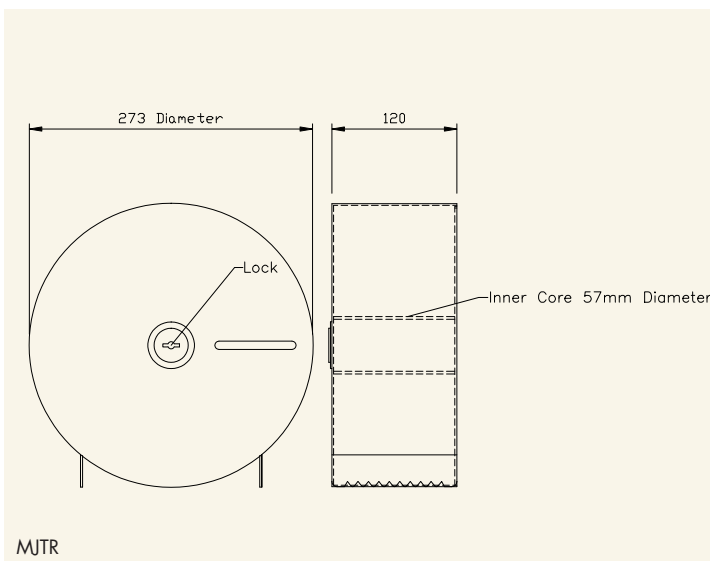
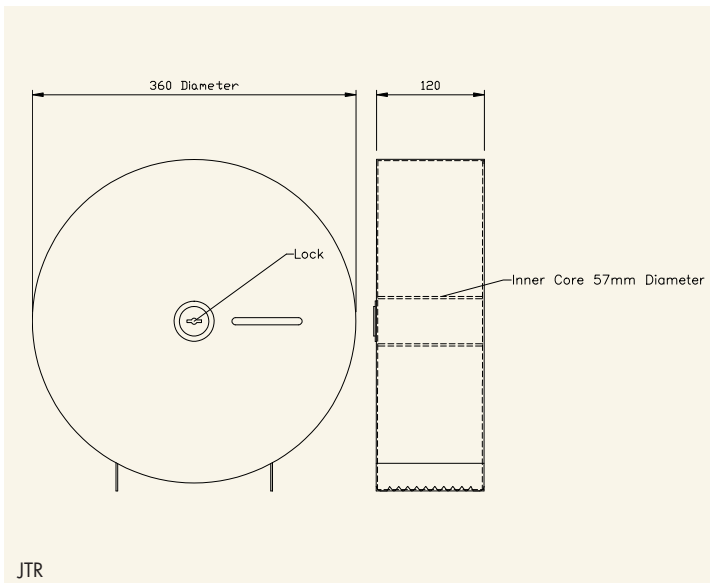
A Stainless Steel lockable dispenser to suit 350 metre rolls with a core size of 57 millimetres.  
 Dimensions: 360mm diameter, 120mm projection.

### SINGLE ROLL TOILET TISSUE DISPENSER

A very heavy duty lockable dispenser manufactured from 1.5mm thick stainless steel, suitable for a standard size toilet roll.  
 Dimensions: 140mm x 140mm x 200mm.



1 Mini Jumbo Toilet Tissue Dispenser (MJTR)  
 2 Single Roll Toilet Tissue Dispenser (STR)  
 3 Jumbo Toilet Tissue Dispenser (JTR)



PRODUCT DESCRIPTION	ORDERING CODE	PRODUCT DESCRIPTION	ORDERING CODE
Single roll toilet tissue dispenser	STR	Mini jumbo toilet tissue dispenser	MJTR
Jumbo toilet tissue dispenser	JTR		

washroom

## BULK PACK TOILET TISSUE DISPENSER

A Stainless Steel bulk flat pack dispenser with a capacity of 350 tissues.  
Dimensions: 133mm x 110mm x 215mm.



1



2

## OPEN SINGLE ROLL TOILET TISSUE DISPENSER

A Stainless Steel toilet tissue dispenser for low risk areas, suitable for a standard size toilet roll.  
Dimensions: 135mm x 98mm x 70mm.

## DOUBLE ROLL TOILET TISSUE DISPENSER

A Stainless Steel lockable dispenser to hold 2 standard size toilet rolls, the second dropping down after the first has been used.  
Dimensions: 120mm x 120mm x 255mm.

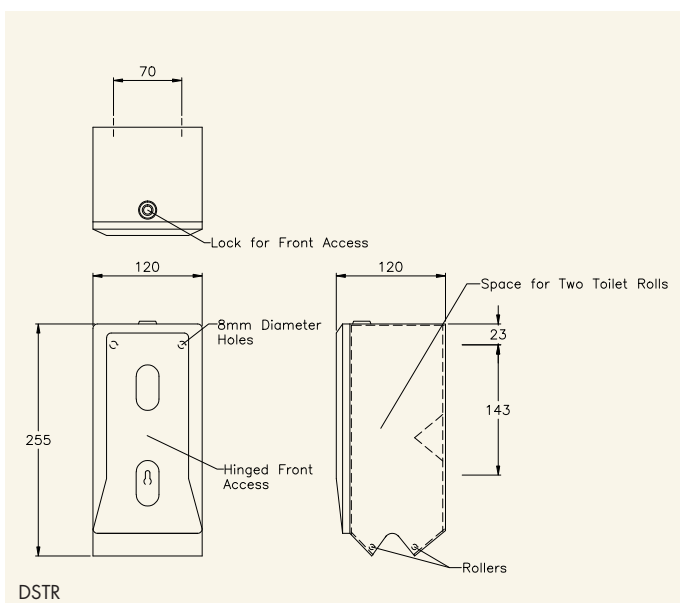
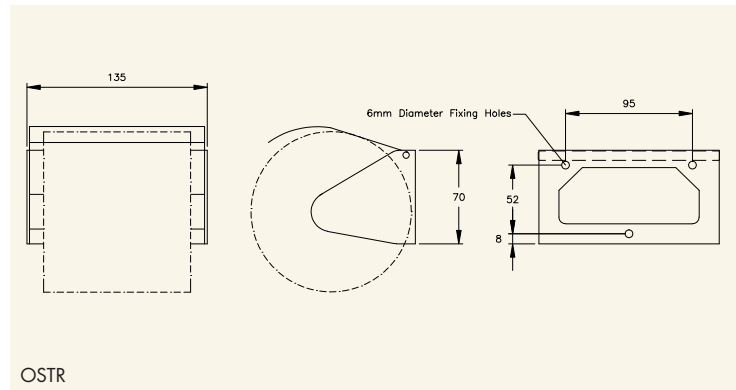
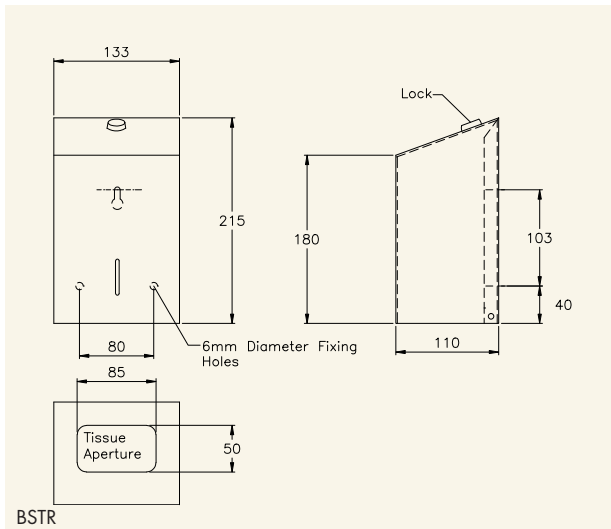


3

1 Open Single Roll Toilet Tissue Dispenser (OSTR)

2 Bulk Pack Toilet Tissue Dispenser (BSTR)

3 Double Roll Toilet Tissue Dispenser (DSTR)



**PRODUCT DESCRIPTION**

Bulk pack toilet tissue dispenser

Open single roll toilet tissue dispenser

Double roll toilet tissue dispenser

**ORDERING CODE**

BSTR

OSTR

DSTR

washroom

## SOAP DISPENSERS

### RECESSED SOAP DISPENSER

A wall recessed soap dispenser with a capacity of 1200ml of liquid soap.  
 Dimensions: 150mm x 116mm x 260mm.  
 Recess Dimensions: 120mm x 106mm x 230mm.

### DECK MOUNTED SOAP DISPENSER

A surface mounted soap dispenser for installation directly into a worktop with filling access from above and a capacity of 1000ml of liquid soap.  
 Dimensions: 65mm above worktop, 320mm below surface, 100mm spout projection, 25mm diameter hole in worktop.

### HORIZONTAL SOAP DISPENSER

A horizontally fitted Stainless Steel lockable soap dispenser with a capacity of 1200ml of liquid soap.  
 Dimensions: 210mm x 70mm x 130mm.

### VERTICAL SOAP DISPENSER

A vertically fitted Stainless Steel lockable soap dispenser with a capacity of 1200ml of liquid soap.  
 Dimensions: 130mm x 70mm x 210mm.

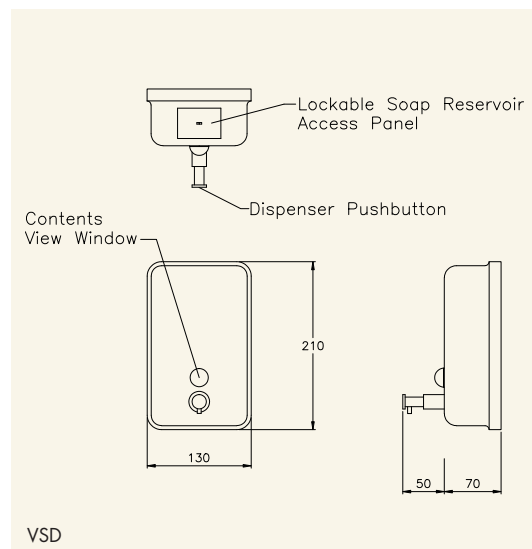
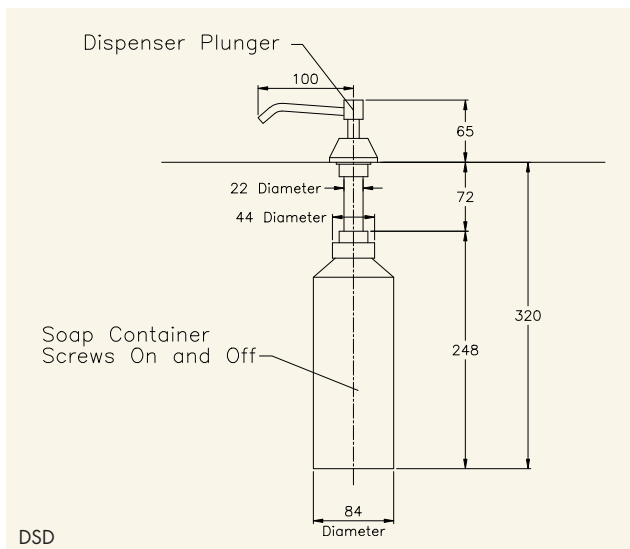
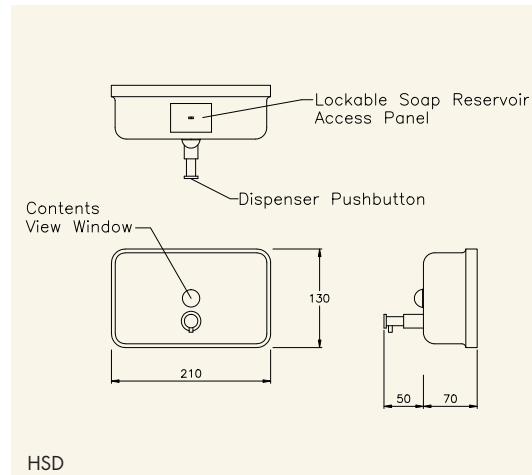
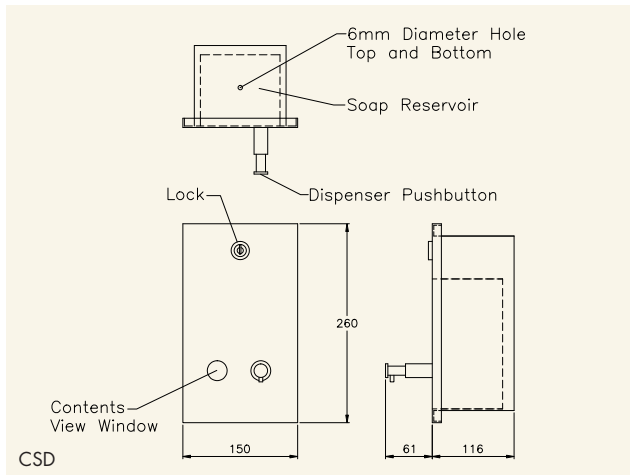


1 Recessed Soap Dispenser (CSD)

3 Horizontal Soap Dispenser (HSD)

2 Deck Mounted Soap Dispenser (DSD)

4 Vertical Soap Dispenser (VSD)



**PRODUCT DESCRIPTION**

- Recessed soap dispenser
- Deck mounted soap dispenser
- Horizontal soap dispenser
- Vertical soap dispenser

**ORDERING CODE**

- CSD
- DSD
- HSD
- VSD

washroom



## PAPER TOWEL DISPENSER

A surface mounted Stainless Steel paper towel dispenser with a capacity of 450 c-fold paper towels.  
 Dimensions: 280mm x 102mm x 370mm.

## SURFACE MOUNTED HAND DRYER

A surface mounted non touch hand dryer with a Stainless Steel casing, fully automatic operation and 2100 watt heating equipment.  
 Dimensions: 240mm x 165mm x 216mm.



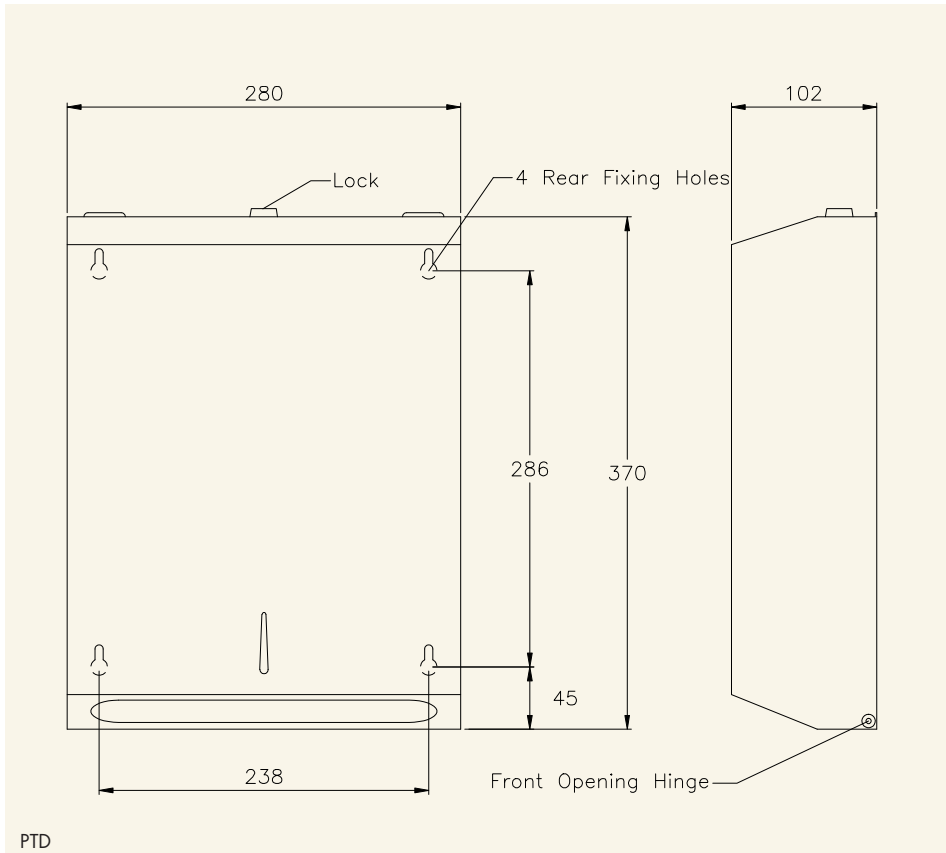
1



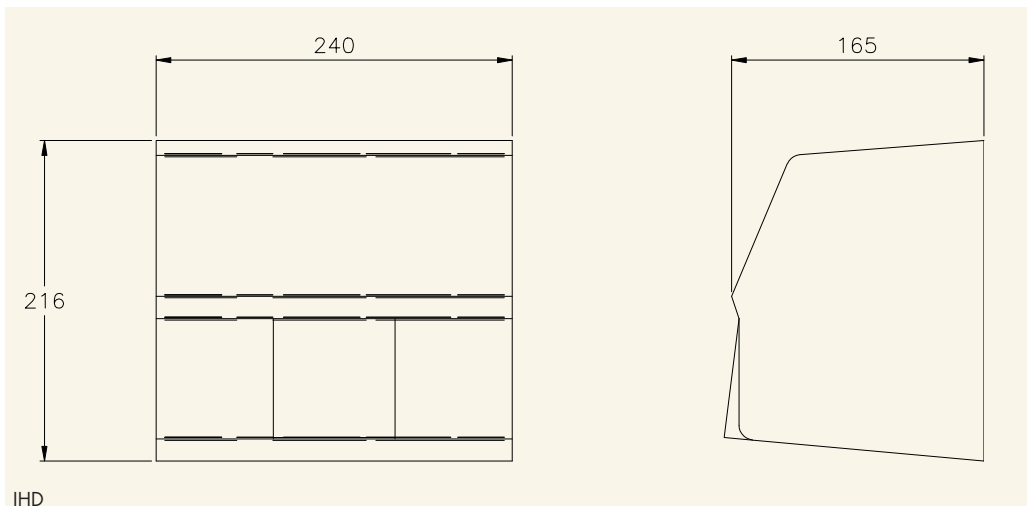
2

1 Paper Towel Dispenser (PTD)

2 Surface Mounted Hand Dryer (IHD)



PTD



IHD

### PRODUCT DESCRIPTION

Paper towel dispenser  
 Surface mounted non touch hot hand dryer

### ORDERING CODE

PTD  
 IHD

## RECESSED HAND DRYER

A wall recessed non touch hand dryer with 2000 watt heating equipment and security fixing screws.

Dimensions: 340mm x 157mm x 360mm.

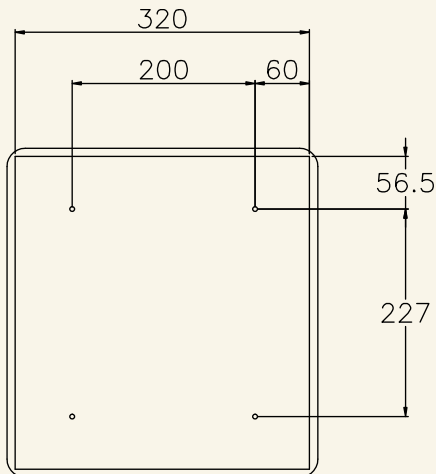
Recess Dimensions: 325mm x 155mm x 345mm.

## MIRROR

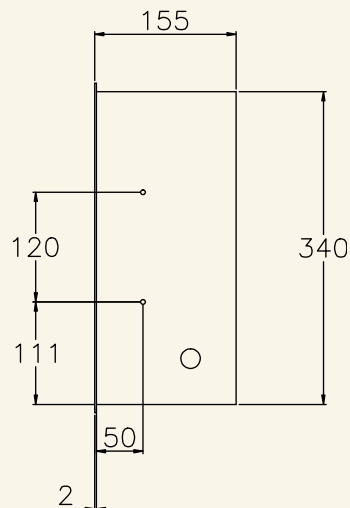
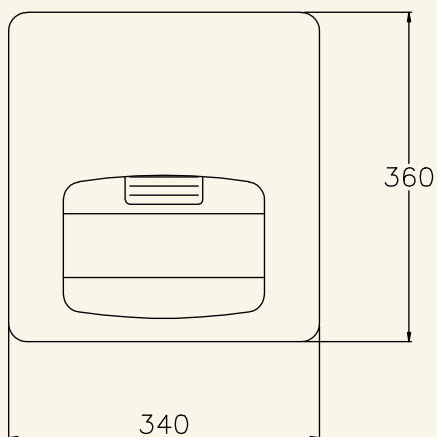
304 grade 1.2mm thick Stainless Steel mirrors are available in any size required up to 3000mm x 1500mm, and are supplied as standard with fixing holes at approximately 300mm centres and stainless steel round headed woodscrews.



1



Rear View



2

1 Recessed Hand Dryer (RHD)

2 Mirror (SSM)

### PRODUCT DESCRIPTION

Recessed non touch hot air hand dryer

Mirror 300 x 300mm

Mirror 450 x 300mm

Mirror 450 x 450mm

Mirror 600 x 450mm

Mirror 600 x 600mm

Mirror 900 x 450mm

Mirror 900 x 600mm

### ORDERING CODE

RHD

SSM3030

SSM4530

SSM4545

SSM6045

SSM6060

SSM9045

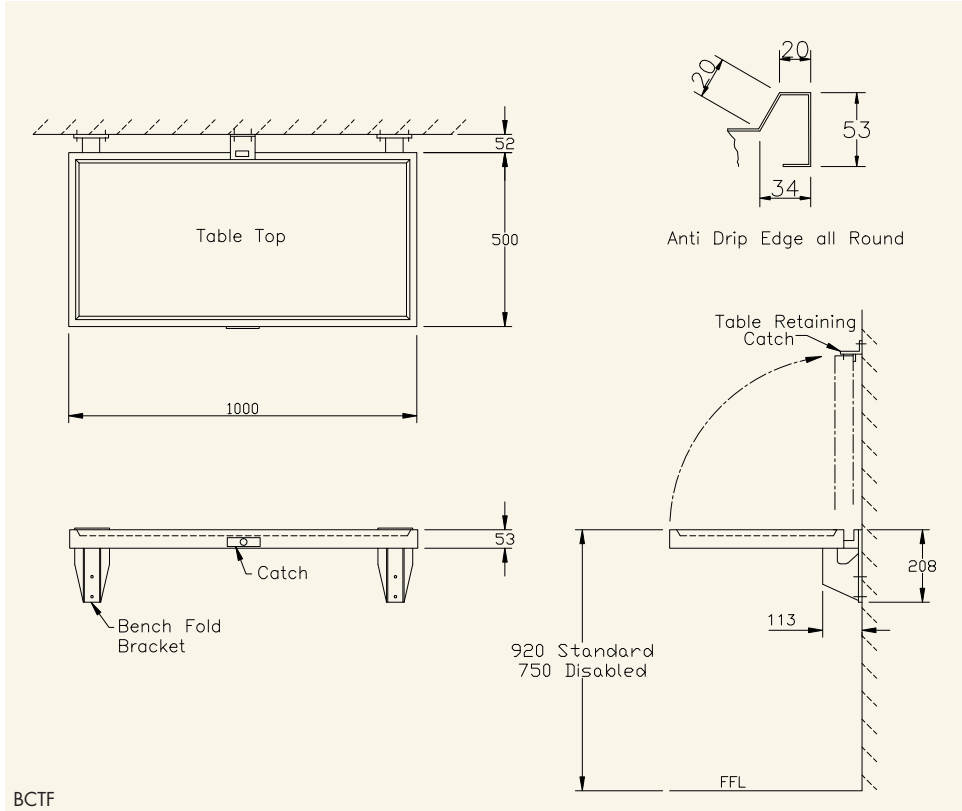
SSM9060

washroom

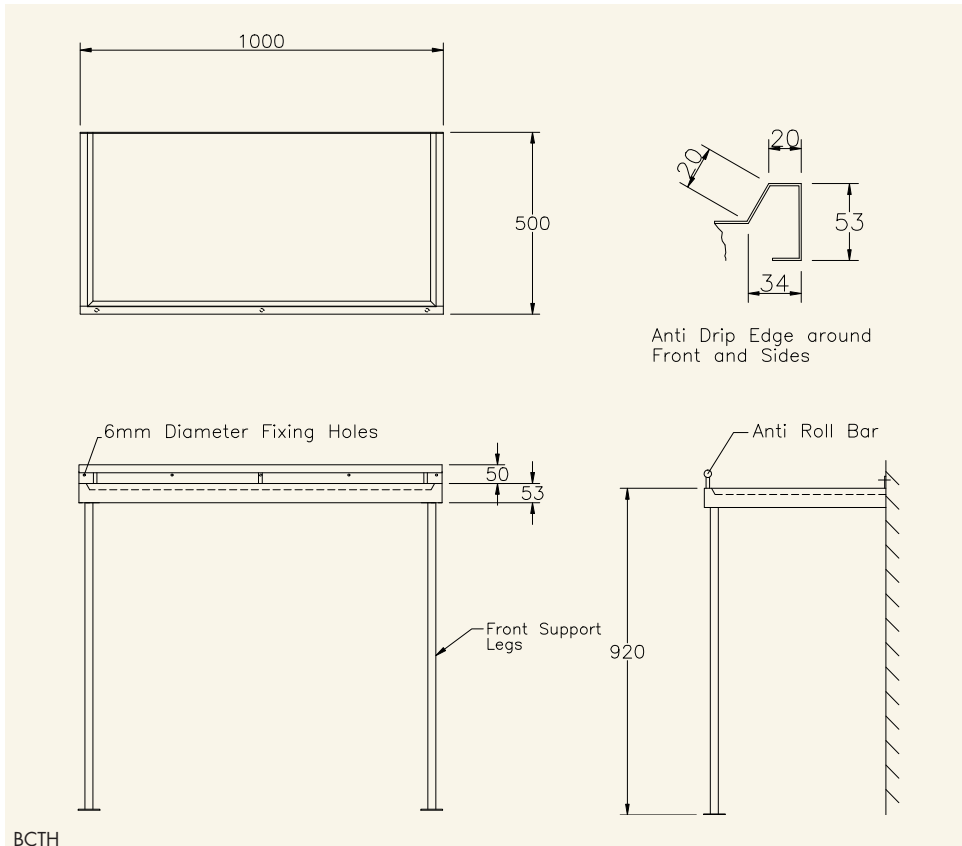
# BABY CHANGING TABLES

Baby changing tables are available either as a fixed unit with front support legs, or a folding version with heavy duty hinged brackets and a wall mounted roller catch.

Dimensions: 1000mm x 500mm



BCTF



BCTH



1



2



3

1 Fixed Baby Changing Table (BCTH)

2 Folding Baby Changing Table (BCTF)

3 Folding Baby Changing Table (BCTF)

**PRODUCT DESCRIPTION**

Folding baby changing table  
 Fixed baby changing table

**ORDERING CODE**

BCTF  
 BCTH

washroom

## WALL MOUNTED DRINKING FOUNTAINS

Round and Square wall mounted drinking fountains incorporate integral fixing brackets and are supplied with chrome plated push button bubbler tap and a 32mm (1 1/4" BSP) waste fitting.



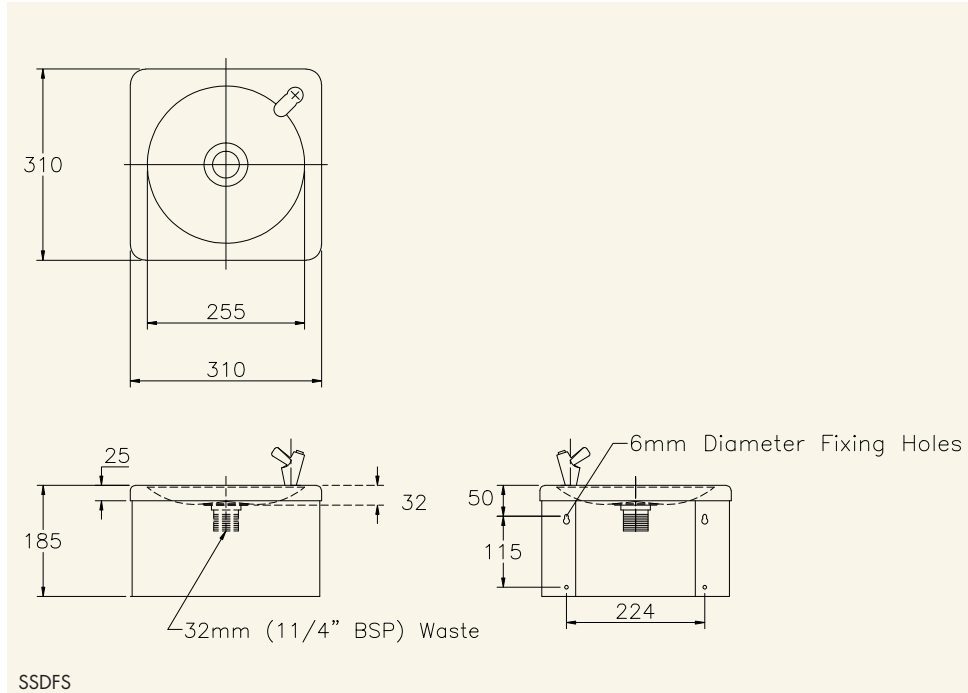
1



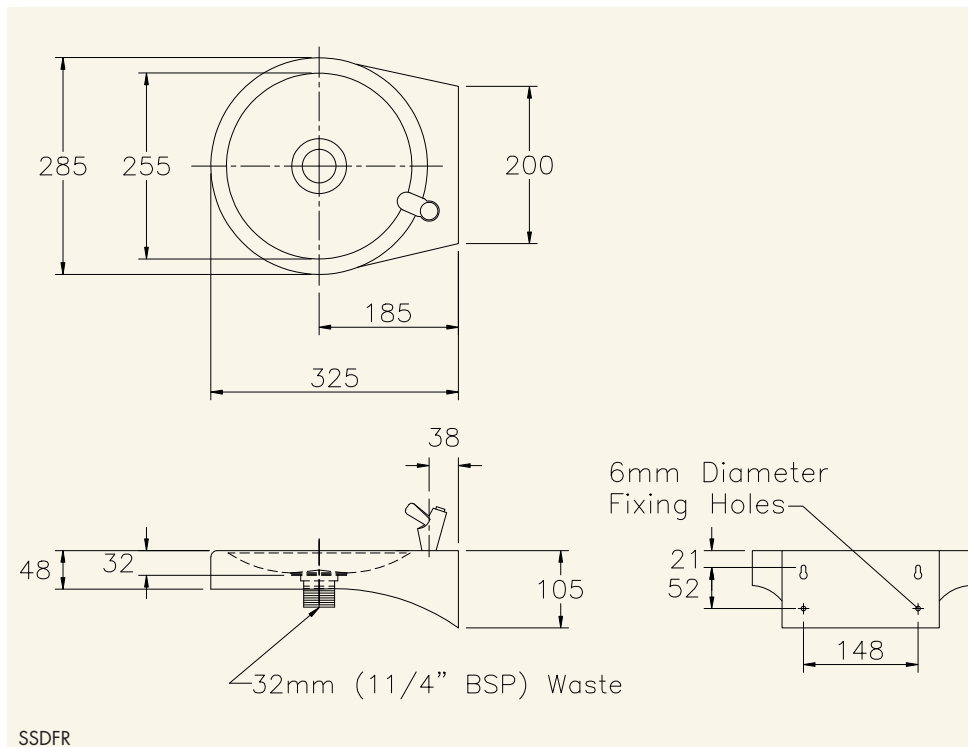
2

1 Square Drinking Fountain (SSDFS)

2 Round Drinking Fountain (SSDFR)



SSDFS



SSDFR

### PRODUCT DESCRIPTION

Square wall mounted drinking fountain  
Round wall mounted drinking fountain

### ORDERING CODE

SSDFS  
SSDFR

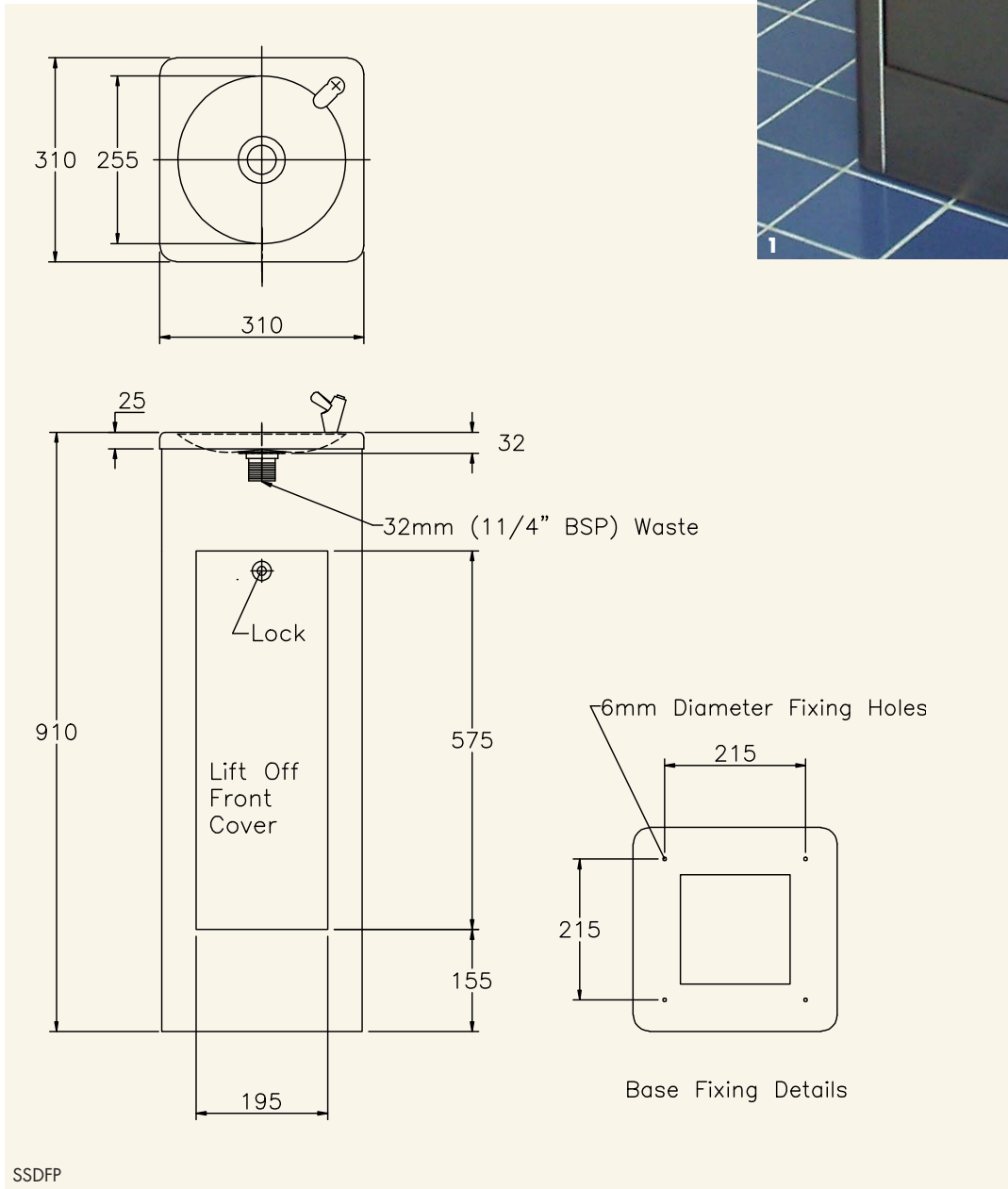
fountains

# PEDESTAL DRINKING FOUNTAIN

A floor standing drinking fountain designed for service entry from below, incorporating a lockable door and supplied with chrome plated push button bubbler tap and a 32mm (1 1/4" BSP) waste fitting.



1 Pedestal Drinking Fountain (SSDFP)



SSDFP

**PRODUCT DESCRIPTION**

Pedestal floor standing drinking fountain

**ORDERING CODE**

SSDFP

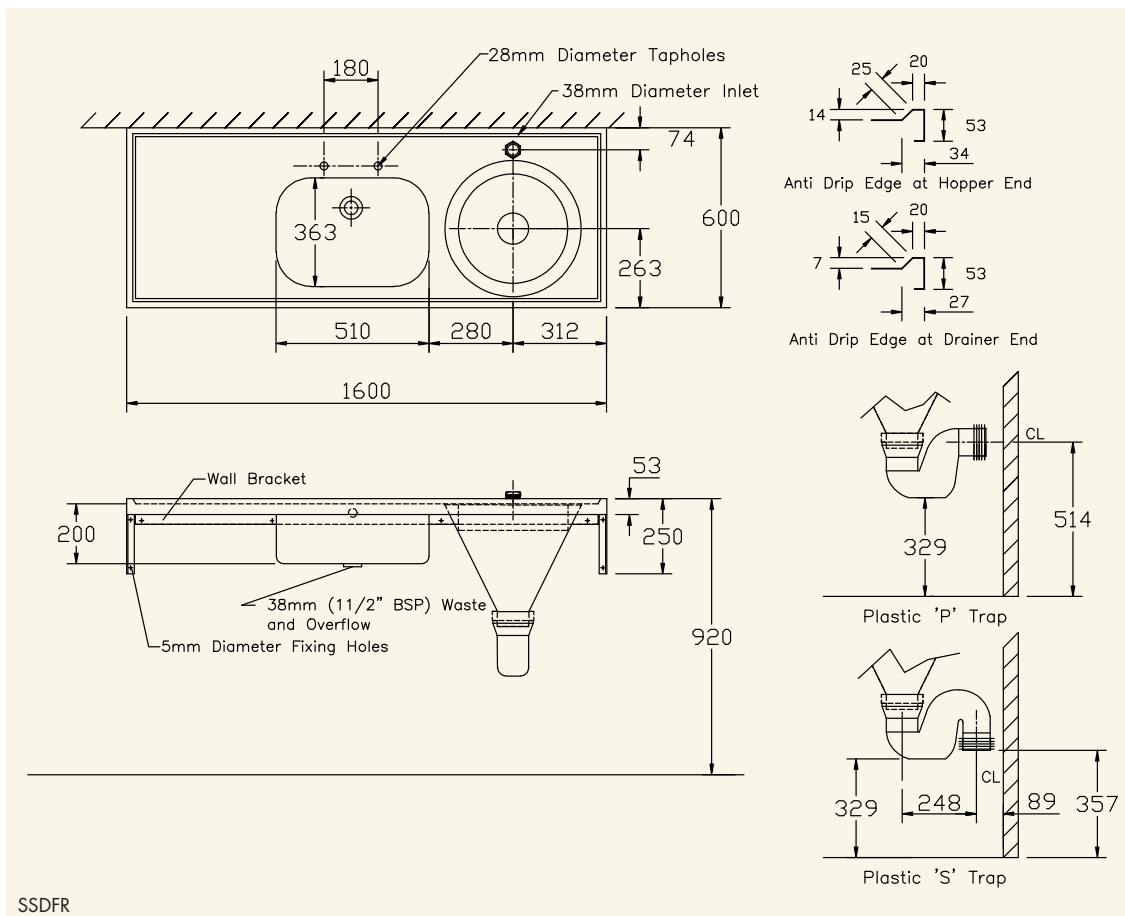
fountains

### COMBINED SINK AND HOPPER

The SDS combined sink and hopper is manufactured from 304 grade stainless steel and is supplied with a plastic P or S trap, 2 tap holes behind the bowl, a 38mm (1 1/2" BSP) waste/overflow fitting and a top entry flush connection.



1 Combined Sink and Hopper  
2 Integral Sink Bowl  
3 Flushing Hopper



**PRODUCT DESCRIPTION**

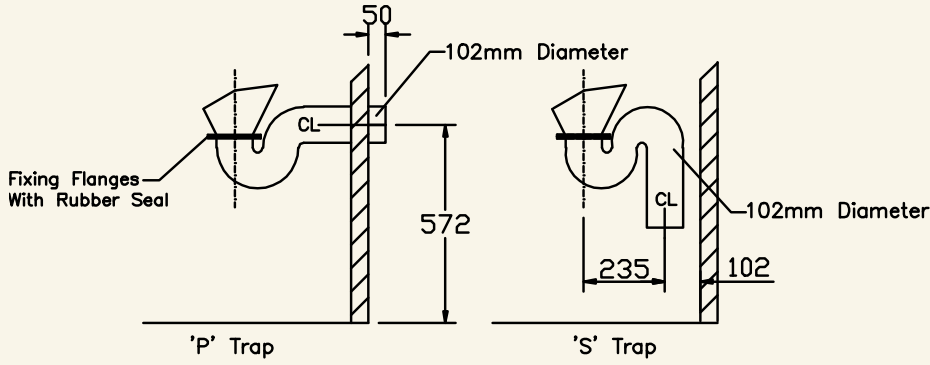
- Combined sink and hopper, left hand drainer, plastic P trap
- Combined sink and hopper, right hand drainer, plastic P trap
- Combined sink and hopper, left hand drainer, plastic S trap
- Combined sink and hopper, right hand drainer, plastic S trap

**ORDERING CODE**

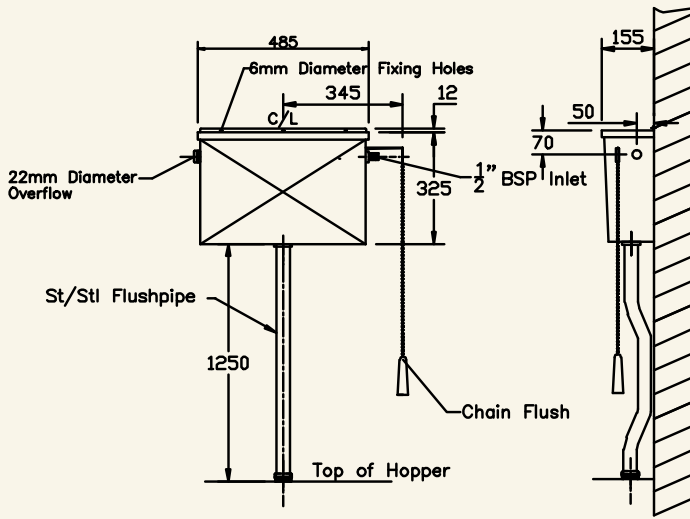
- CSSHLP
- CSSHRP
- CSSHLS
- CSSHRS

COMBINED SINK AND HOPPER

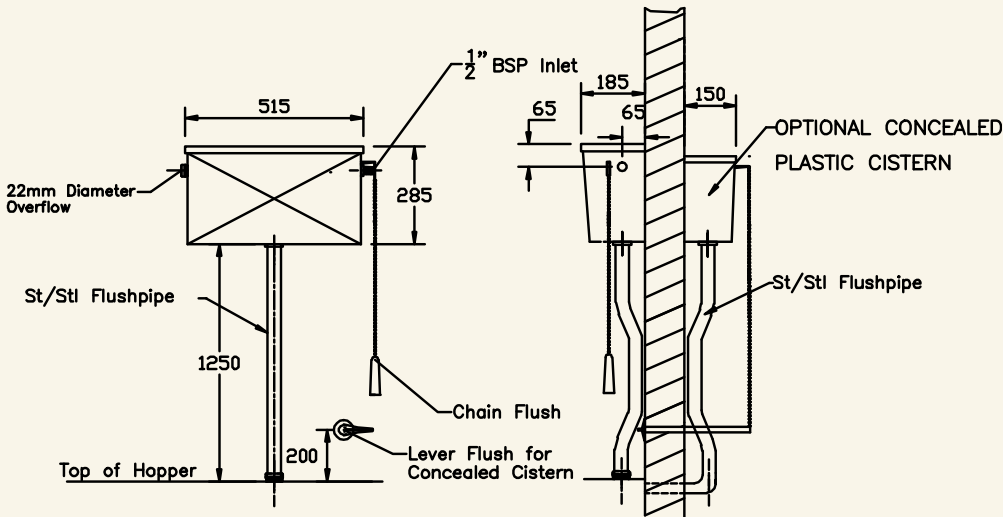
continued



OPTIONAL ST/STL TRAPS



OPTIONAL EXPOSED ST/STL CISTERN



OPTIONAL EXPOSED PLASTIC CISTERN



Options

- Front support legs (Pair)
- Stainless steel P or S trap
- Back entry hopper flush
- No tap holes behind bowl
- Plastic cistern and flushpipe
- Stainless steel cistern and flushpipe

4 Front Support Leg

5 Optional Stainless Steel Cistern

6 Optional Plastic Cistern

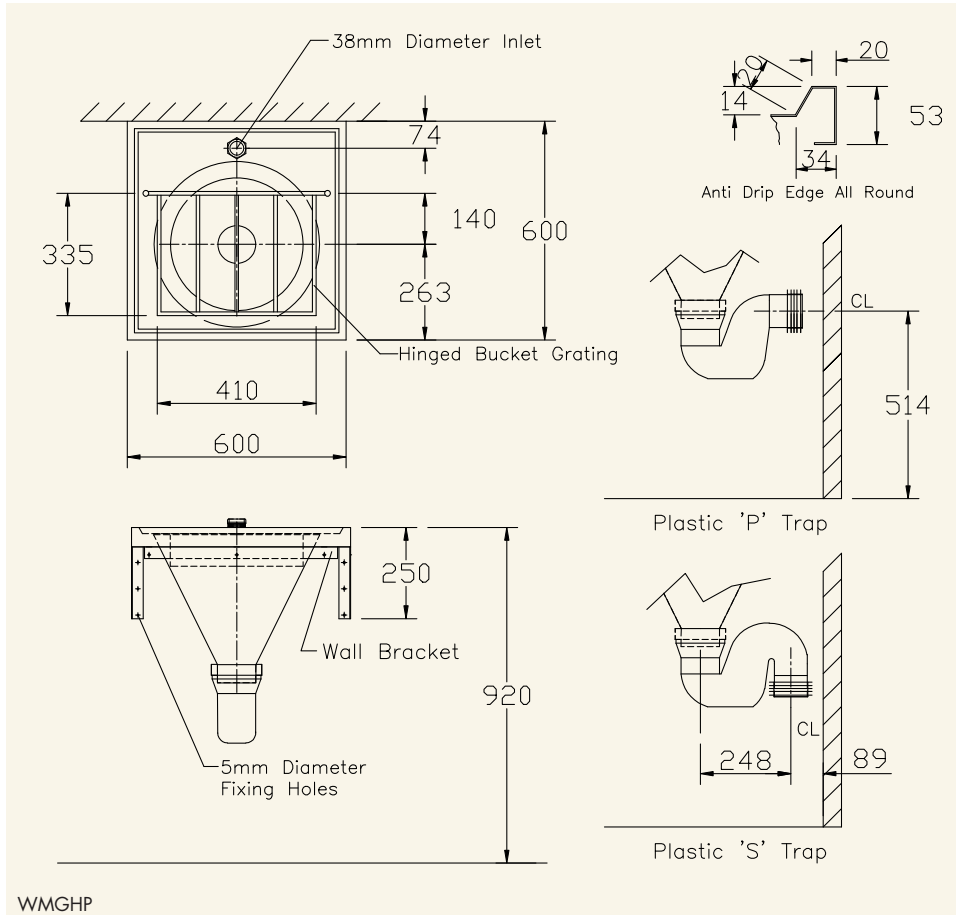
hospital

## HOPPER WITH GRATING

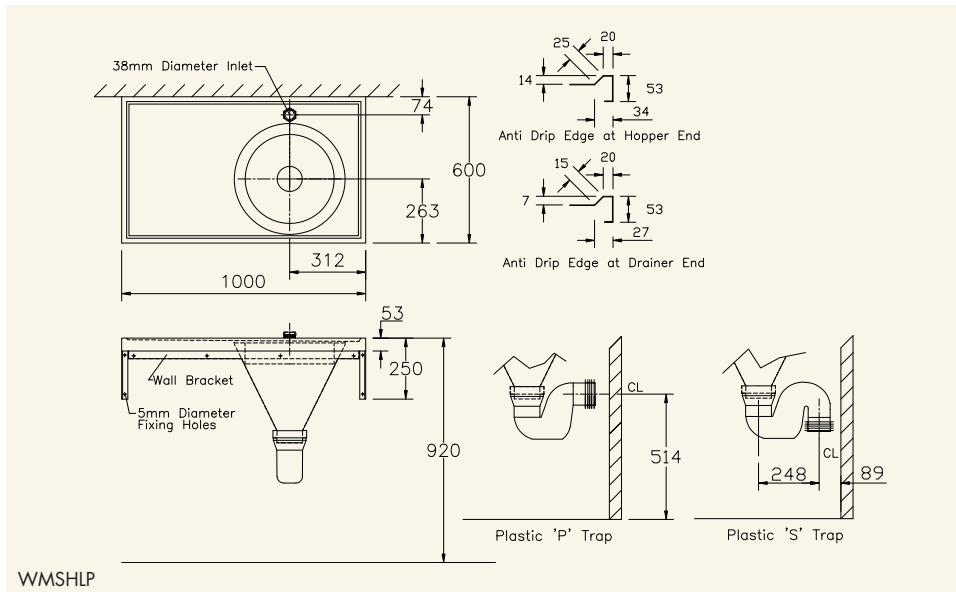
The SDS hopper with grating is a wall mounted unit manufactured from 304 grade stainless steel incorporating integral cantilever brackets and a hinged bucket grating. It is supplied with a plastic P or S trap, and a top entry flush connection.

## HOPPER WITH DRAINER

The SDS hopper with drainer is a wall mounted unit manufactured from 304 grade stainless steel incorporating integral cantilever brackets and is supplied with a plastic P or S trap and a top entry flush connection.



WMGHP



WMSHLP

### Options

- Front support legs (Pair)
- Stainless steel P or S trap
- Back entry flush
- Plastic cistern and flushpipe
- Stainless steel cistern and flushpipe

1 Hopper with Grating

2 Hopper with Drainer (Shown with optional legs)

### PRODUCT DESCRIPTION

- Hopper with grating, P trap
- Hopper with grating, S trap
- Hopper with drainer, left hand drainer, P trap
- Hopper with drainer, left hand drainer, S trap

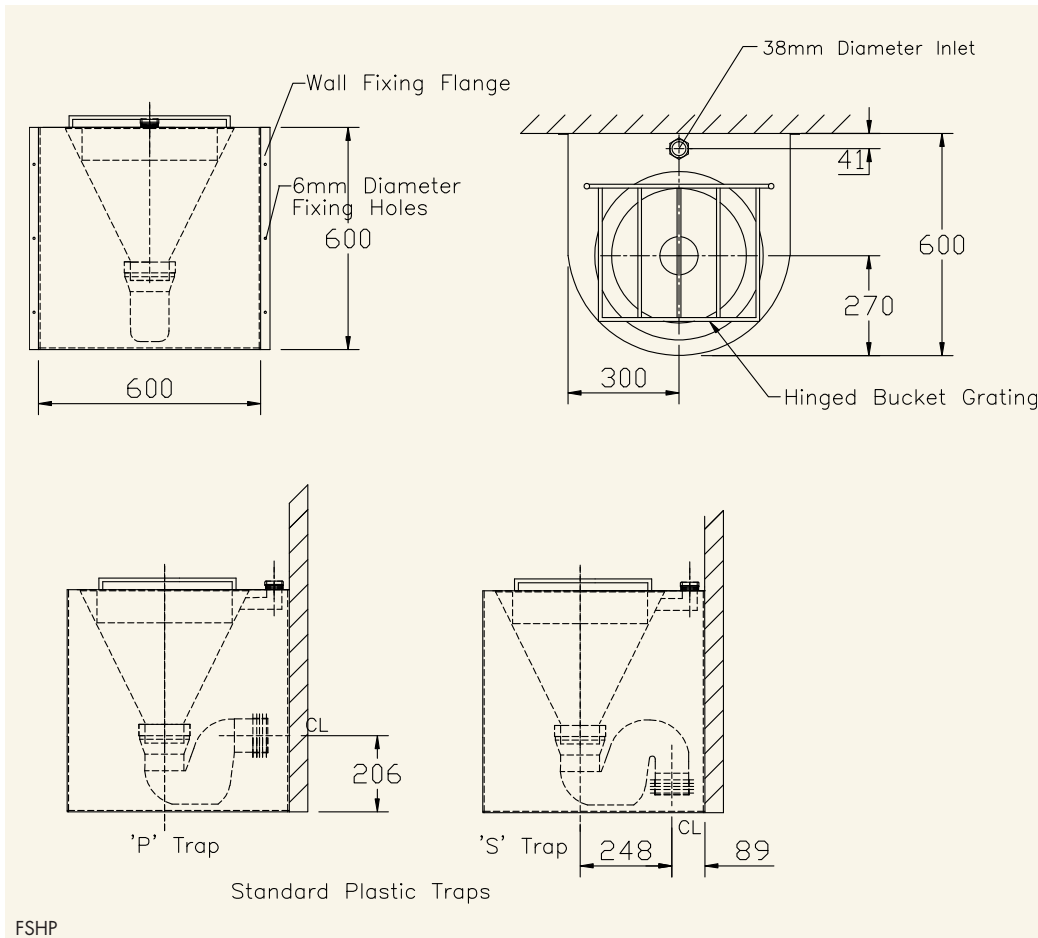
### ORDERING CODE

- WMGHP
- WMGHS
- WMSHLP
- WMSHLS



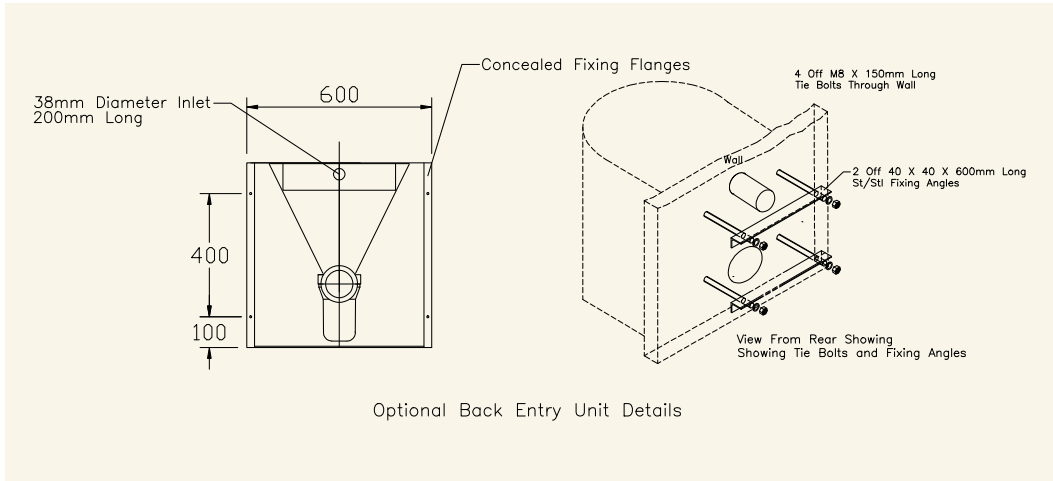
# FLOOR STANDING HOPPER

The SDS floor standing hopper is manufactured from 304 grade stainless steel and incorporates integral wall fixing flanges and a hinged bucket grating. It is supplied with a plastic P or S trap, and a top entry flush connection.



- Options**
- Stainless steel P or S trap
  - Back entry flush and concealed fixings (accessible from service duct)
  - Plastic cistern and flushpipe
  - Stainless steel cistern and flushpipe

1 Floor Standing Hopper

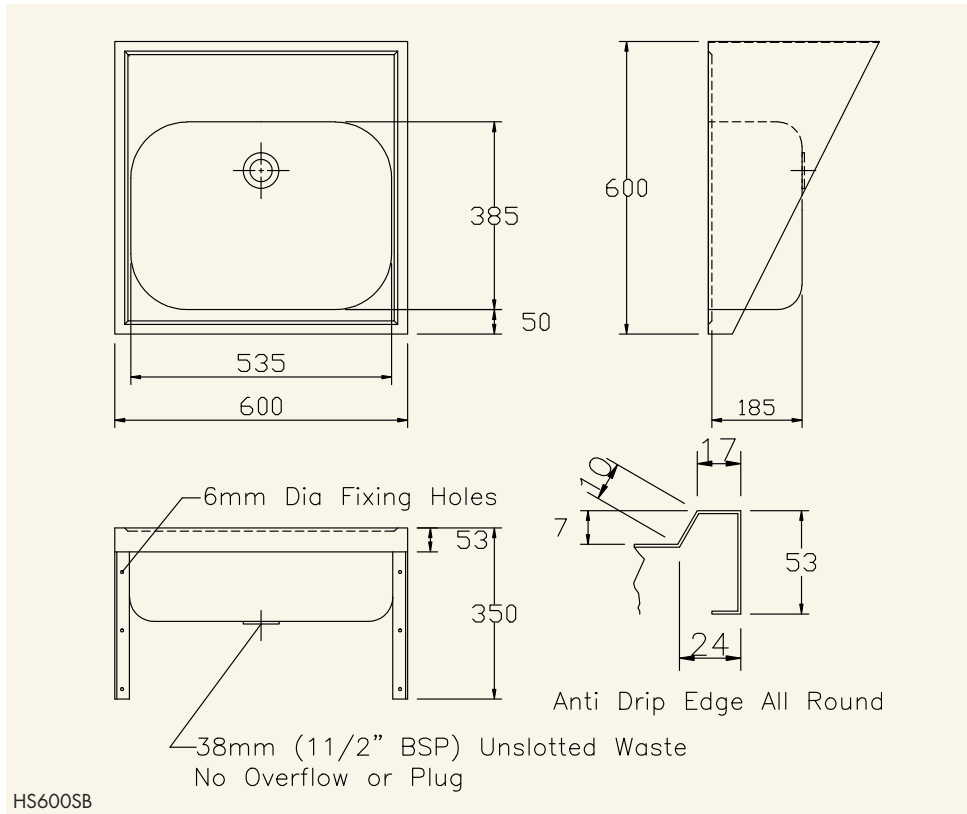


PRODUCT DESCRIPTION	ORDERING CODE
Floor standing hopper, P trap	FSHP
Floor standing hopper, S trap	FSHS

# HOSPITAL SINKS

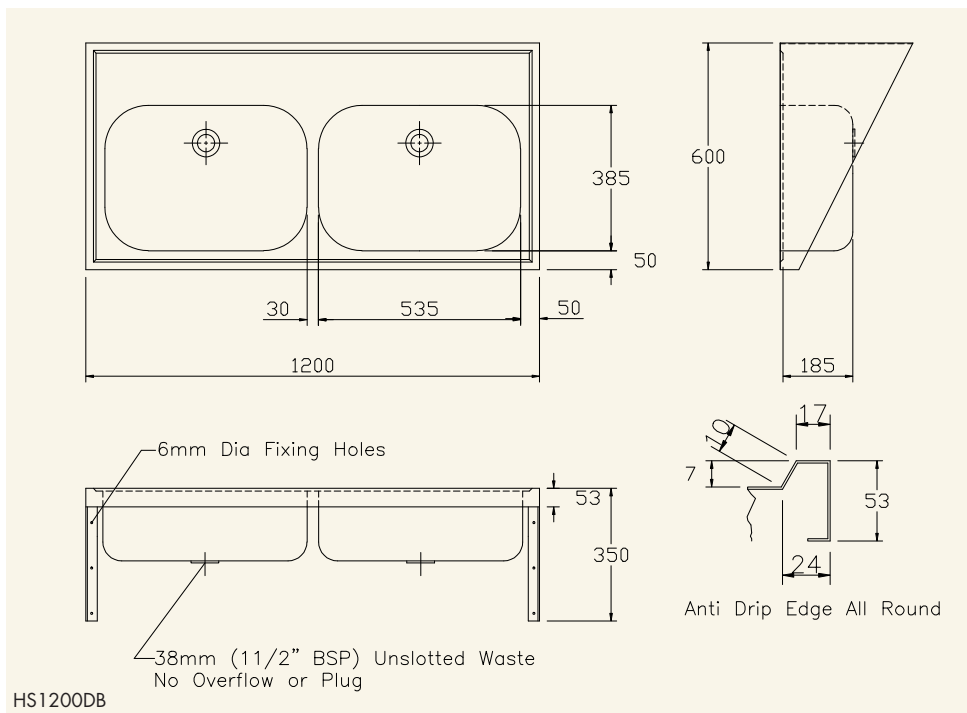
Hospital sinks are manufactured from 304 grade stainless steel and feature integral wall fixing brackets, an unslotted 38mm waste fitting (without overflow, plug, or chain) and no tap holes.

The units without drainers have a pressed bowl 535x385x170mm, the units with drainers have a fabricated bowl 500x400x200mm.



- Options**
- Tap holes
  - Plug, chain and stay
  - 38mm waste with overflow
  - Front support legs
  - Special size units

1 Single Bowl Hospital Sink  
2 Double Bowl Hospital Sink

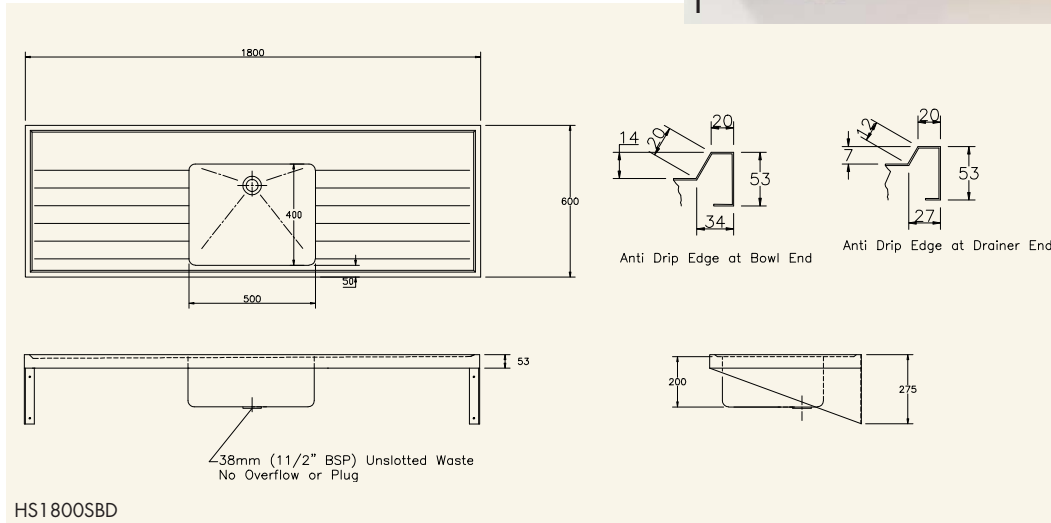


PRODUCT DESCRIPTION	ORDERING CODE
600x600mm hospital sink with single bowl	HS600SB
1200x600mm hospital sink with double bowls	HS1200DB

hospital

**HOSPITAL SINKS**

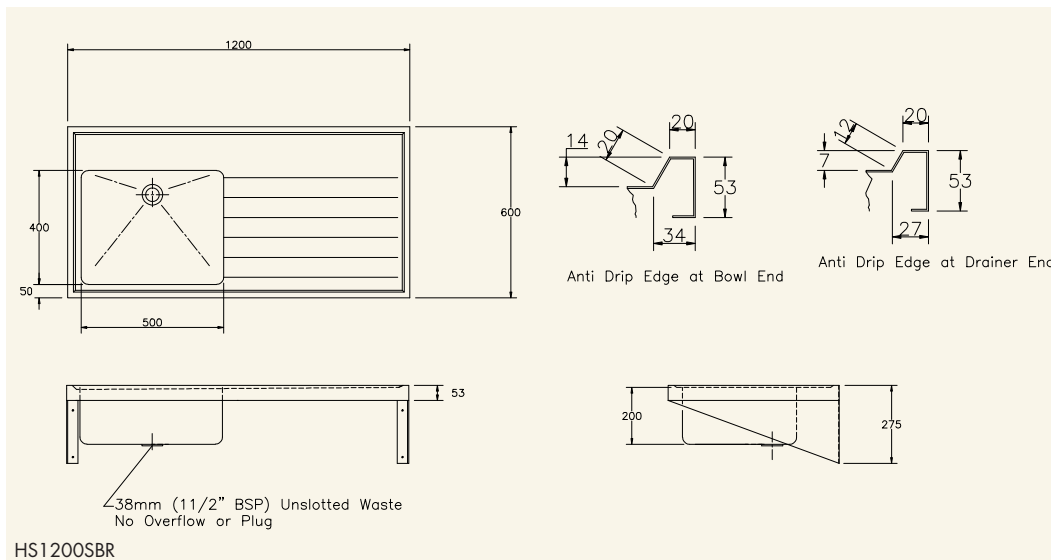
continued



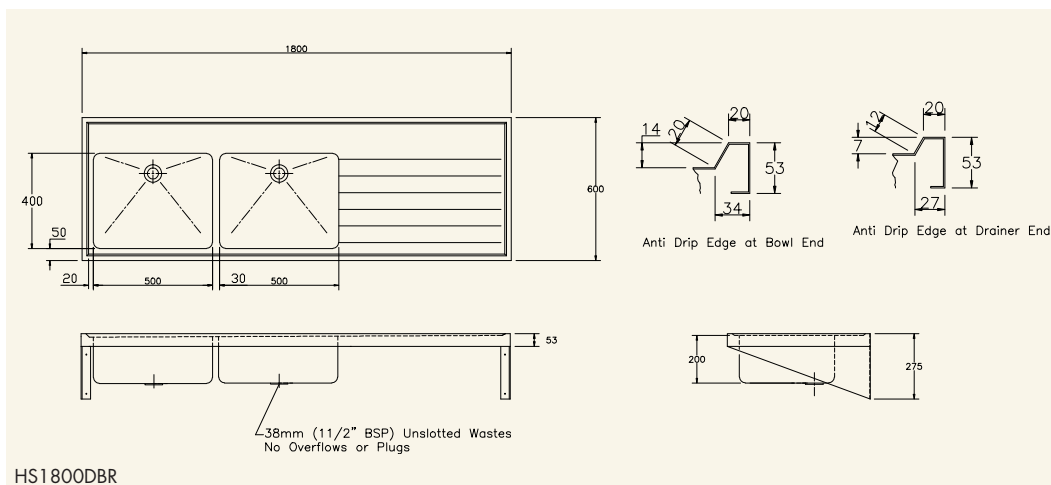
HS1800SBD

- Options**
- Tap holes
  - Plug, chain and stay
  - 38mm waste with overflow
  - Front support legs
  - Special size units

1 Single Bowl Hospital Sink with Drainer



HS1200SBR



HS1800DBR

**PRODUCT DESCRIPTION**

- 1200x600mm hospital sink with single bowl and left hand drainer
- 1200x600mm hospital sink with single bowl and right hand drainer
- 1800x600mm hospital sink with single bowl and double drainers
- 1800x600mm hospital sink with double bowls and left hand drainer
- 1800x600mm hospital sink with double bowls and right hand drainer

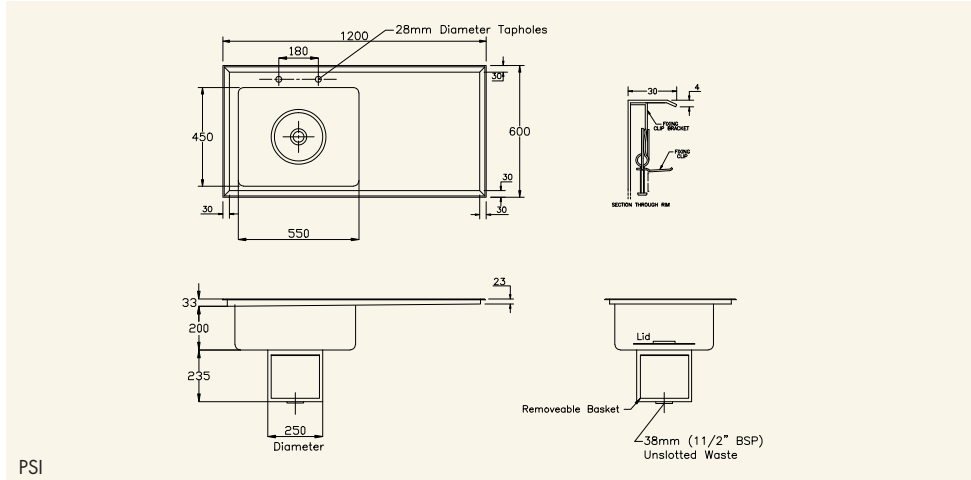
**ORDERING CODE**

- HS1200SBL
- HS1200SBR
- HS1800SBD
- HS1800DBL
- HS1800DBR

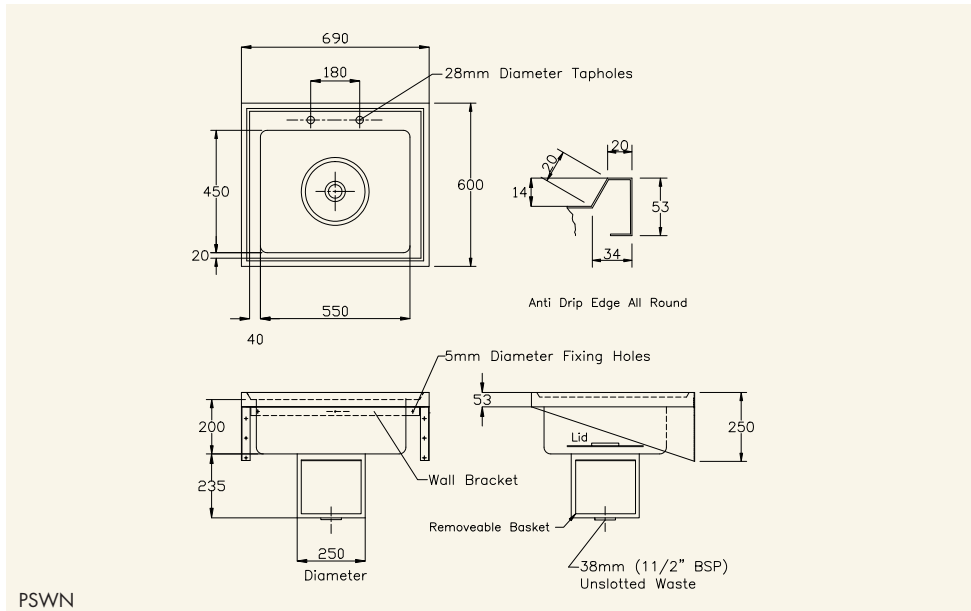
hospital

# PLASTER SINKS

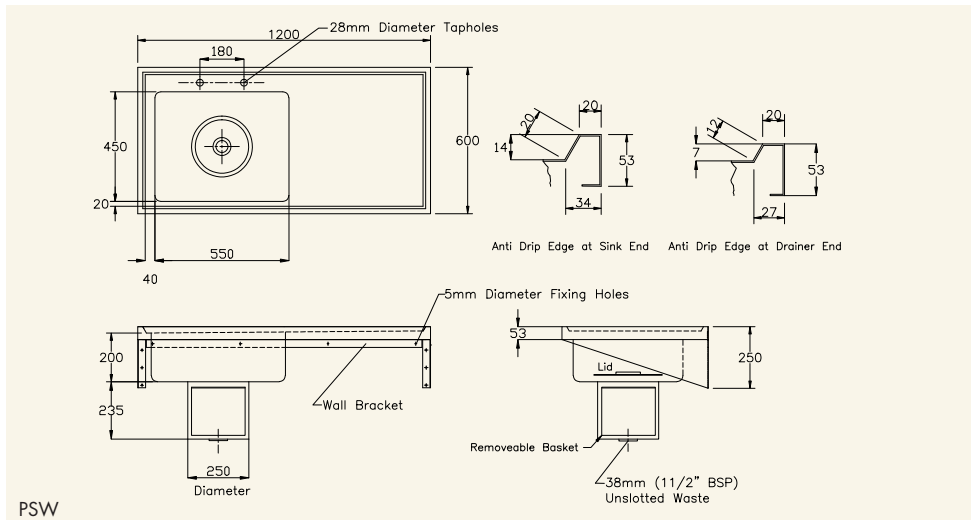
Plaster sinks are manufactured from 304 grade stainless steel and incorporate 2 tap holes and an integral bowl with plaster sump. Wall mounted models feature cantilever support brackets, the inset version is supplied with fixing clips. Also supplied is a removable plaster reclaim basket, plaster sump lid and 38mm (1 1/2" BSP) waste fitting.



PSI



PSWN



PSW

**Options**

- Front support legs (on wall mounted models)
- No tap holes

- 1 Plaster Sink with Drainer
- 2 Inset Plaster Sink with Drainer
- 3 Plaster Sink without Drainer
- 4 Optional Front Support Leg

**PRODUCT DESCRIPTION**

- Plaster sink, wall mounted, left hand drainer
- Plaster sink, wall mounted, right hand drainer
- Plaster sink, wall mounted, no drainer
- Plaster sink, inset, left hand drainer
- Plaster sink, inset, right hand drainer

**ORDERING CODE**

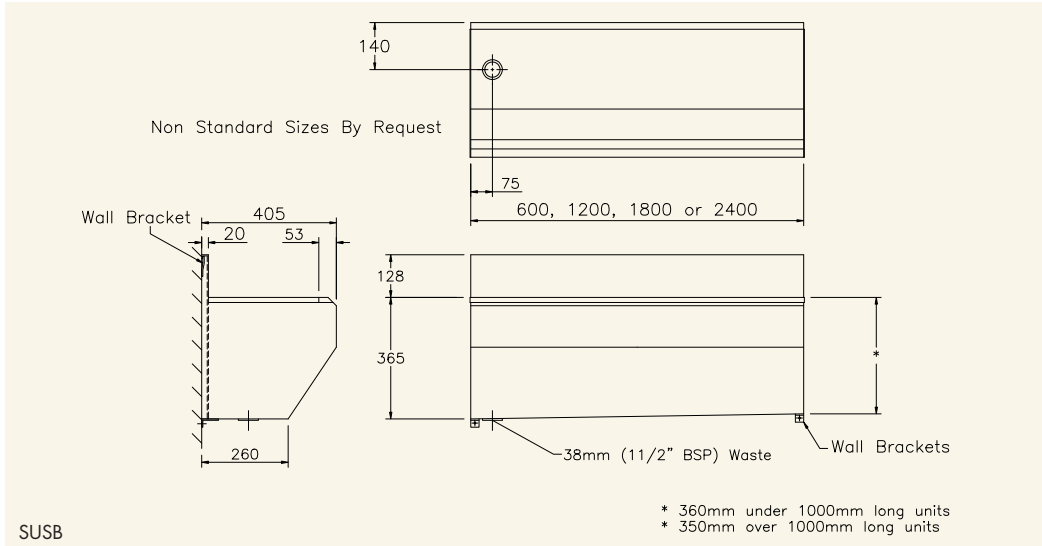
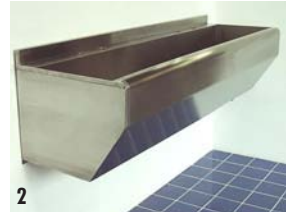
- PSWDL
- PSWDR
- PSWN
- PSIL
- PSIR

hospital  
son

# SURGEONS SCRUB UP TROUGHS

Surgeons scrub up troughs are manufactured from 304 grade Stainless Steel and are supplied with a 38mm (1 1/2" BSP) flush grated waste fitting to one end.

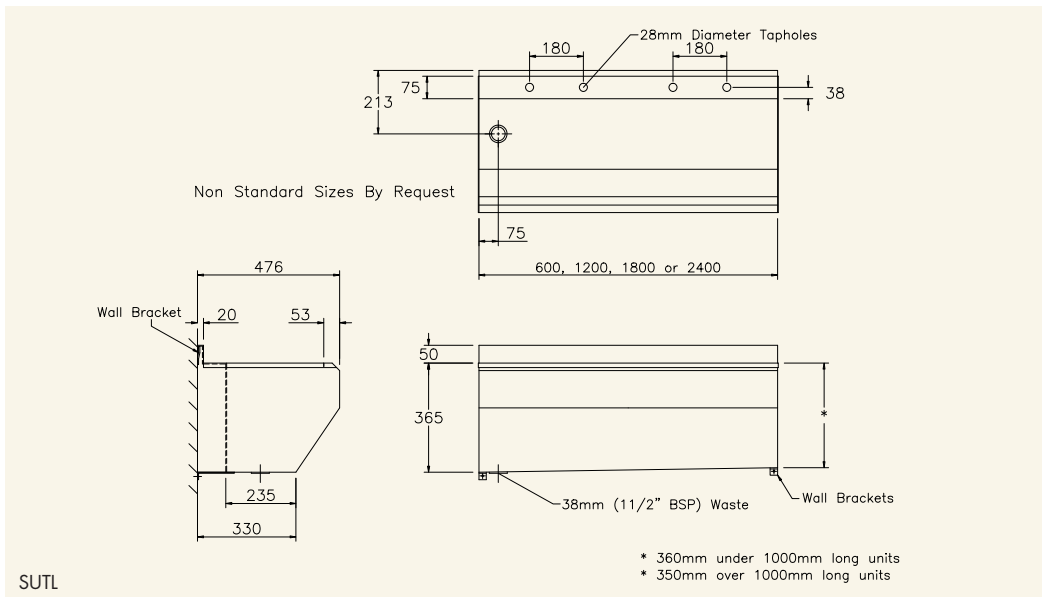
3 models are available - a Splash back type designed for wall mounted bib taps, a tap landing type for deck mounted taps and a high back type for bib taps mounted on the trough itself.



- Options**
- Special size units (up to 3000mm in one piece)
  - Monoblock tap holes
  - Single tap holes

1 Splashback Surgeons Scrub up Trough

2 Taplanding Surgeons Scrub up Trough



**PRODUCT DESCRIPTION**

**ORDERING CODE**

600mm tap landing scrub up trough, L/H outlet, 1 pair tap holes.	SUTL600L
600mm splash back scrub up trough, L/H outlet.	SUSB600L
600mm tap landing scrub up trough, R/H outlet, 1 pair tap holes.	SUTL600R
600mm splash back scrub up trough, R/H outlet.	SUSB600R
1200mm tap landing scrub up trough, L/H outlet, 2 pairs tap holes.	SUTL1200L
1200mm splash back scrub up trough, L/H outlet.	SUSB1200L
1200mm tap landing scrub up trough, R/H outlet, 2 pairs tap holes.	SUTL1200R
1200mm splash back scrub up trough, R/H outlet.	SUSB1200R
1800mm tap landing scrub up trough, L/H outlet, 3 pairs tap holes.	SUTL1800L
1800mm splash back scrub up trough, L/H outlet.	SUSB1800L
1800mm tap landing scrub up trough, R/H outlet, 3 pairs tap holes.	SUTL1800R
1800mm splash back scrub up trough, R/H outlet.	SUSB1800R
2400mm tap landing scrub up trough, L/H outlet, 4 pairs tap holes.	SUTL2400L
2400mm splash back scrub up trough, L/H outlet.	SUSB2400L
2400mm tap landing scrub up trough, R/H outlet, 4 pairs tap holes.	SUTL2400R
2400mm splash back scrub up trough, R/H outlet.	SUSB2400R

hospital

**SURGEONS SCRUB UP TROUGHS**

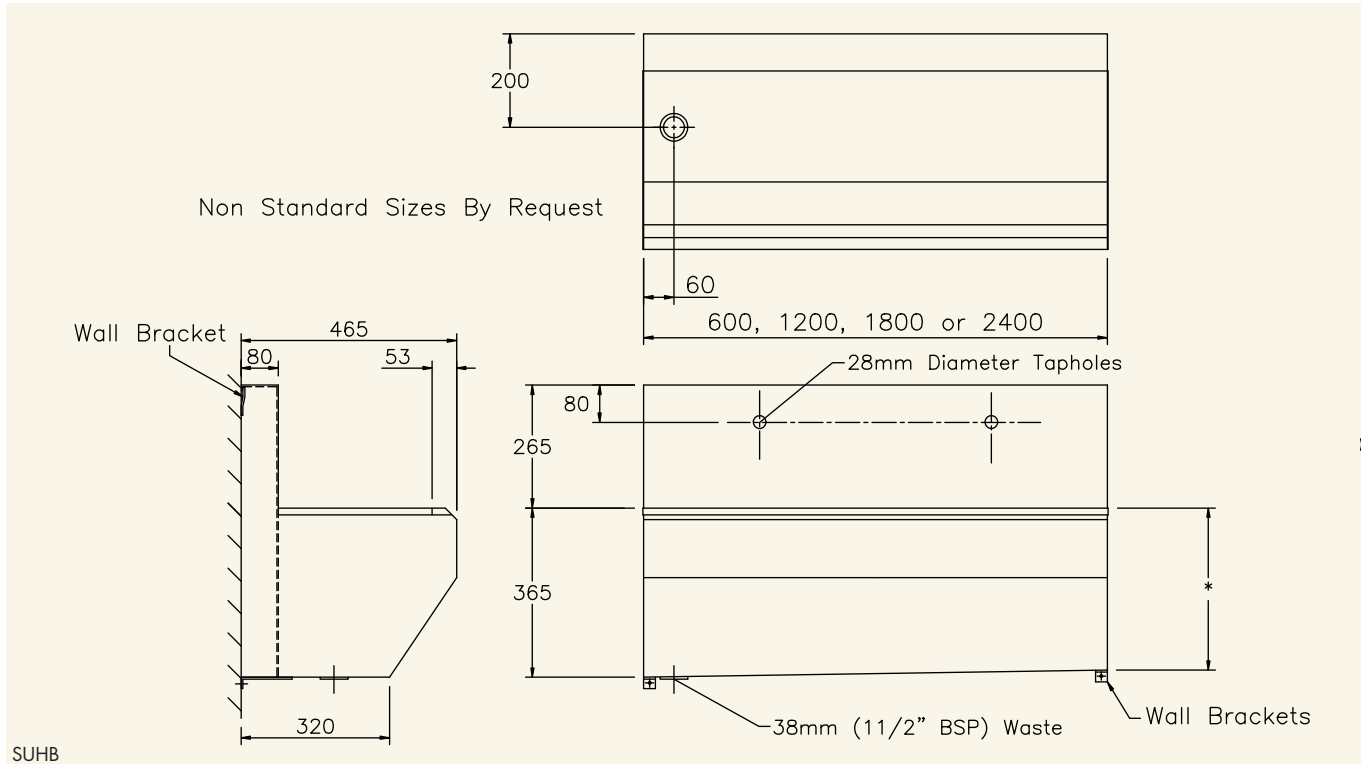
continued



**Options**

- Special size units (up to 3000mm in one piece)
- Monoblock tap holes
- Single tap holes

1 High Back Surgeons Scrub up Trough



- \* 360mm under 1000mm long units
- \* 350mm over 1000mm long units

**PRODUCT DESCRIPTION**

- 600mm high back scrub up trough, L/H outlet, 1 pair tap holes.
- 600mm high back scrub up trough, R/H outlet, 1 pair tap holes.
- 1200mm high back scrub up trough, L/H outlet, 2 pairs tap holes.
- 1200mm high back scrub up trough, R/H outlet, 2 pairs tap holes.
- 1800mm high back scrub up trough, L/H outlet, 3 pairs tap holes.
- 1800mm high back scrub up trough, R/H outlet, 3 pairs tap holes.
- 2400mm high back scrub up trough, L/H outlet, 4 pairs tap holes.
- 2400mm high back scrub up trough, R/H outlet, 4 pairs tap holes.

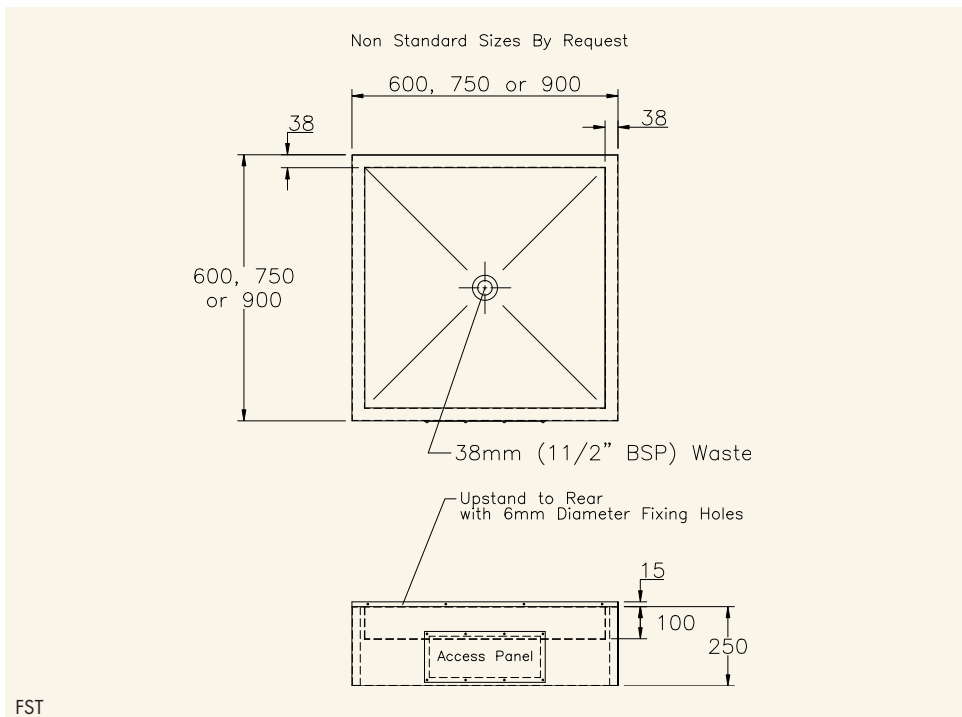
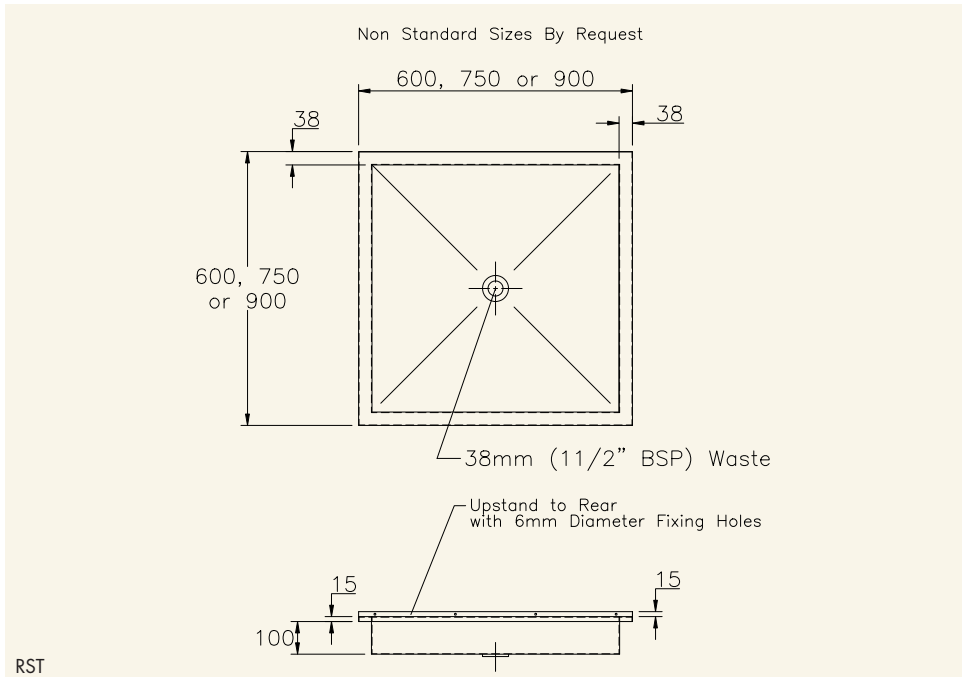
**ORDERING CODE**

- SUHB600L
- SUHB600R
- SUHB1200L
- SUHB1200R
- SUHB1800L
- SUHB1800R
- SUHB2400L
- SUHB2400R

# FREE STANDING AND FLOOR RECESSED SHOWER TRAY

Shower trays are manufactured from 304 grade stainless steel and are supplied as standard with a central 38mm (1 1/2" BSP) waste fitting and a 15mm upstand to rear.

The free standing tray has 250mm high fascia panels to both sides and a removable waste access panel to the front, the floor recessed tray has 15mm downturns to both sides and front.



**Options**

- Special size trays
- Upstands to one or both
- Off centre waste position

1 Free Standing Shower Tray

2 Floor Recessed Shower Tray

**PRODUCT DESCRIPTION**

- 600mm x 600mm floor recessed shower tray
- 750mm x 750mm floor recessed shower tray
- 900mm 900mm floor recessed shower tray
- 600mm x 600mm free standing shower tray
- 750mm x 750mm free standing shower tray
- 900mm 900mm free standing shower tray

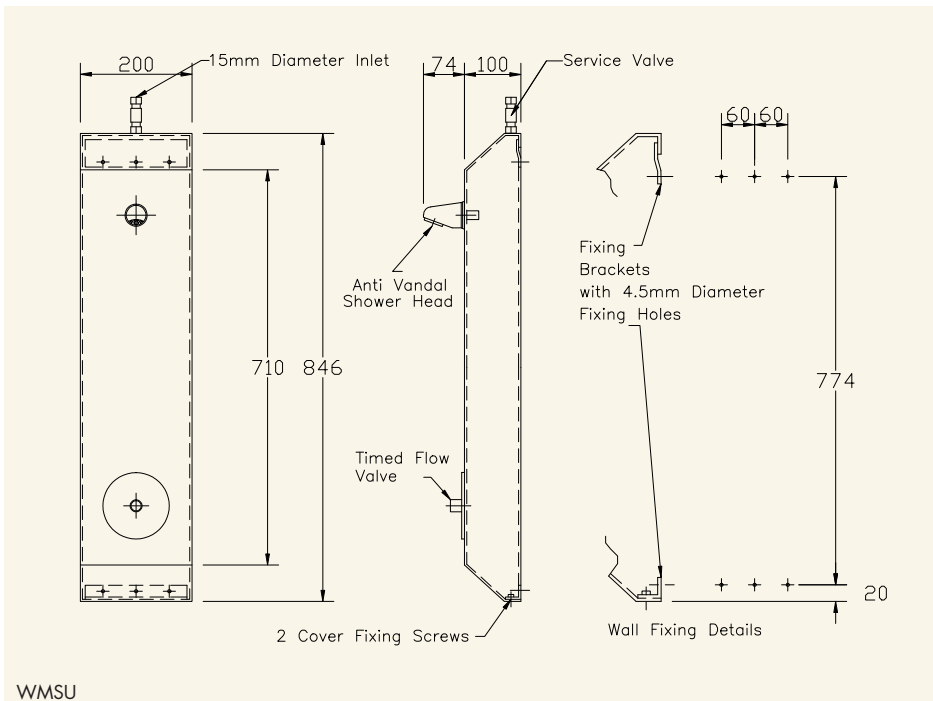
**ORDERING CODE**

- RST600
- RST750
- RST900
- FST600
- FST750
- FST900

showers

### WALL MOUNTED SHOWER UNIT

The Wall mounted shower unit is manufactured from 304 grade stainless steel and incorporates concealed fixing brackets, a fixed vandal resistant spray head, isolation valve and pushbutton timed flow valve, giving approximately 30 seconds operation from a pre-mixed water supply.



WMSU



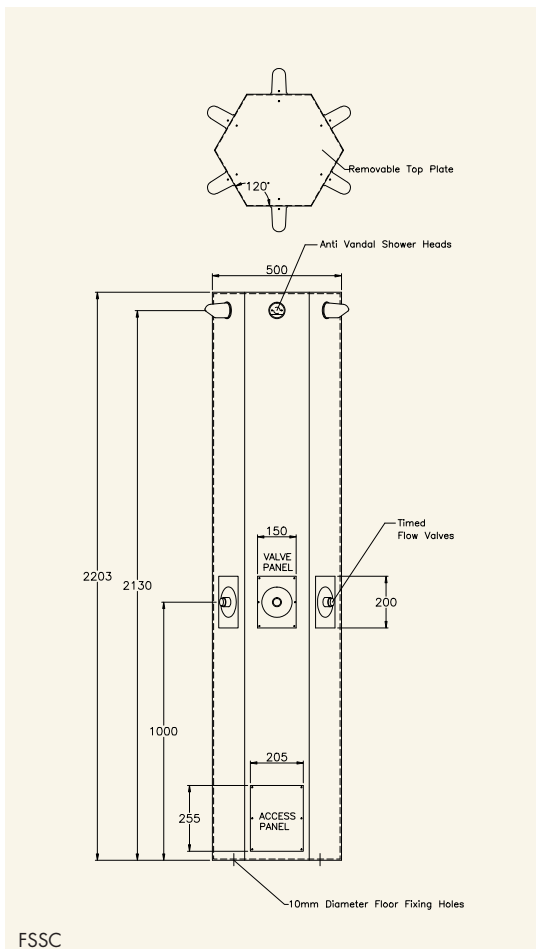
- Options**
- Special size trays
  - Upstands to one or both
  - Off centre waste position

1 Wall Mounted Shower Unit

2 Shower Column



2



FSSC

**PRODUCT DESCRIPTION**

Wall mounted shower unit  
6 person shower column

**ORDERING CODE**

WMSU  
FSSC

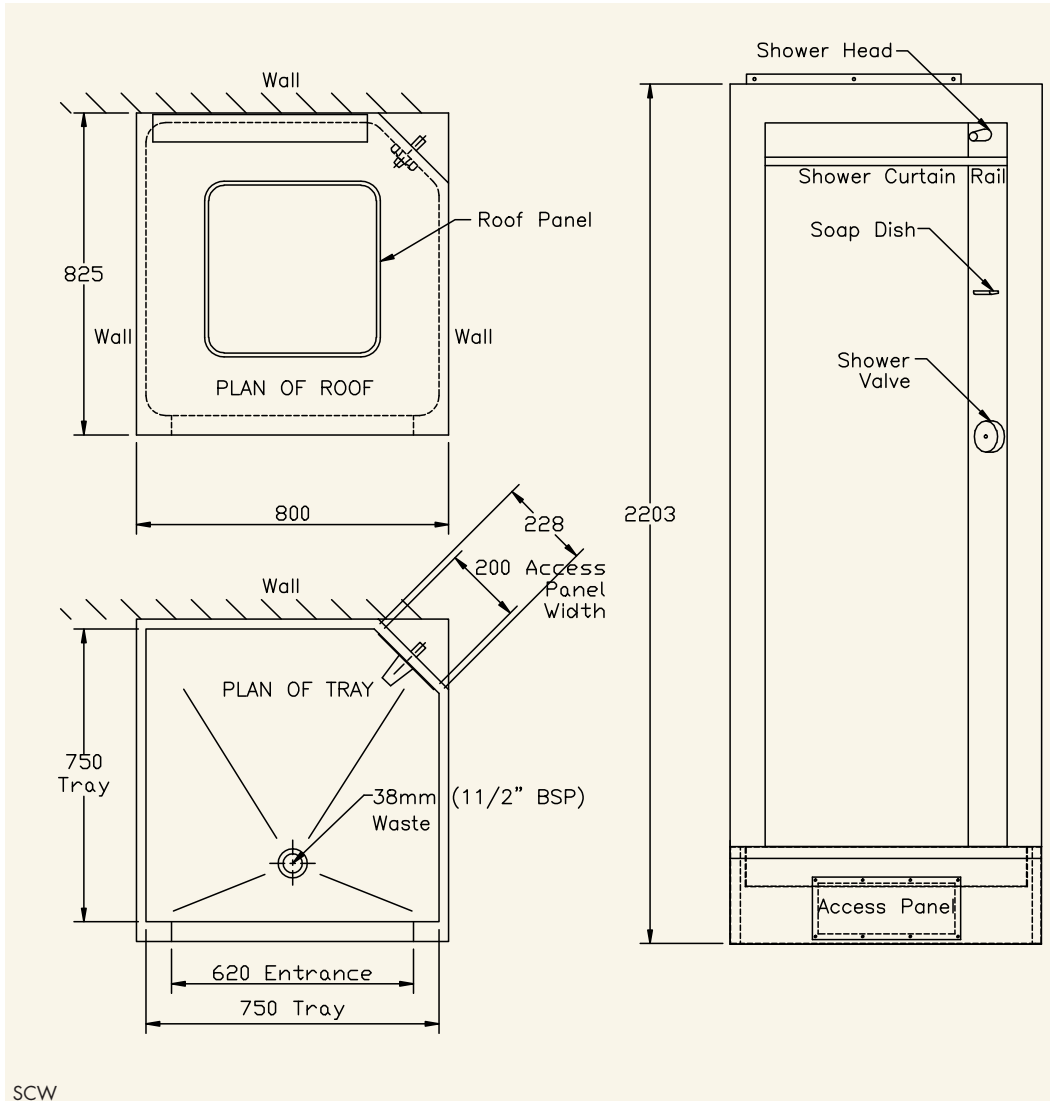
shower



# SHOWER CUBICLES

Shower cubicles are manufactured from 304 grade stainless steel and are delivered in bolt together sections for easy site access.

The standard cubicle is 800mm wide x 825mm deep x 2203mm high and is designed for fitting between 2 side walls, it is supplied with a clear polycarbonate roof panel, soap dish, curtain and waste fitting.



- Options**
- One or two exposed side panels (for situations with no side wall to one or both sides)
  - Thermostatic shower valve with fixed shower head

- 1 Single Shower Cubicle  
2 Range of 2 Shower Cubicles

SCW

PRODUCT DESCRIPTION	ORDERING CODE
Shower cubicle, both sides wall fixing	SCWW
Shower cubicle, left hand wall fixing, right hand exposed	SCWF
Shower cubicle, left hand wall fixing	SCFW
Shower cubicle, both sides exposed	SCFF
Thermostatic valve and fixed shower head (add to relevant code)	VH

shower



**STANDARD CONDITIONS OF TRADE UNDER WHICH ALL TRANSACTIONS FOR THE SUPPLY OF GOODS ARE CONDUCTED BY STAINLESS DESIGN SERVICES LIMITED****1. DEFINITIONS**

"the Company" shall mean Stainless Design Services Limited of Unit C, The Old Bakery, Kiln Lane, Swindon, Wiltshire SN2 2NP company registration number 1751976.

"the Customer" shall mean the person who buys or agrees to buy Goods from the Company.

"Conditions" shall mean the terms and conditions of sale set out in this document and any special terms and conditions agreed in writing by the Company.

"Delivery Date" shall mean the date specified by the Company when the Goods are to be delivered.

"Goods" shall mean the articles which the Customer buys or agrees to buy from the Company.

The headings in this agreement are for convenience only and do not affect its interpretation.

**2. ACCEPTANCE and LIMITS OF CONTRACT**

- No quotation made by the Company shall constitute an offer by the Company.
- Any terms and conditions proffered by the Customer are hereby excluded.
- Any order placed by a Customer whether in writing, or by fax shall be deemed to constitute an offer by the customer to enter into a contract upon these conditions of trade which shall be deemed to have been accepted by the Company when the Company receives the order.
- No order will be accepted verbally by the Company from the Customer, whether by telephone or otherwise.
- Orders received in the past which are confirmatory of faxed orders but which are not described as such will, if processed, be subject to a 60% restocking charge.
- Acceptance of delivery of the Goods shall be deemed to be conclusive evidence of the Customer's acceptance of these conditions.
- Any variation of these Conditions (including any special terms and conditions agreed between the parties) shall be inapplicable unless agreed in writing by the Company.
- The customer shall not transfer his rights to any third party.
- All orders must be accompanied by the Customer's official order number and must be sent to the Company in writing (including by fax and email). The Customer is responsible for confirming safe receipt of their order and the Company does not accept any liability whatsoever or howsoever cause for non-receipt of orders.

**3. USE OF THE COMPANY'S WEBSITE**

To the fullest extent permitted by law the Company provides its website, [www.stainlessdesign.net](http://www.stainlessdesign.net) and [www.stainlessdesign.co.uk](http://www.stainlessdesign.co.uk) and its contents on an 'as is' basis and makes no (and expressly disclaims all) representations or warranties of any kind, express or implied, with respect to [www.stainlessdesign.net](http://www.stainlessdesign.net) and [www.stainlessdesign.co.uk](http://www.stainlessdesign.co.uk) or the information, content, materials, products included in this site including without limitation, warranties of merchantability and fitness for a particular purpose. In addition the Company does not represent or warrant that the information accessible via this site is accurate complete or current.

**4. DESPATCH**

- The Company will use its best endeavours to despatch or complete by the Delivery Date but time is not of the essence of the contract and the Company shall not incur any liability whatsoever for failure to despatch or complete by such date.
- The Goods may be delivered in advance of the Delivery Date. The Customer shall make all reasonable arrangements to take delivery of the Goods whenever they are tendered for delivery.

**5. ACCEPTANCE OF THE GOODS**

- The Customer shall be deemed to have accepted the Goods 24 hours after delivery to the Customer.
- After acceptance of the Goods the Customer shall not be entitled to reject Goods which are not in accordance with the contract.
- Notwithstanding the Sale of Goods Act 1979 Section 35A(1), acceptance of some of the Goods by the Customer, whether conforming to the contract or not, shall deprive the Customer of the right to reject the rest of the Goods, whether they conform to the contract or not.

**6. CARRIAGE**

A charge will be made for packing and carriage on all orders of less than £250 and may be made for orders over £250 except for deliveries within a 5-mile radius of the Company premises.

**7. PAYMENT TERMS**

- Except when a merchant trade account is agreed, full payment is to be made with order.
- Merchant trade account invoices must be settled within 30 days of the invoice date. Time for payment shall be of the essence.
- The company reserves the right to charge interest on overdue accounts at 4% above the Lloyds TSB PLC minimum lending rate current at the time.
- The Company reserves the right to suspend further deliveries until all arrears and interest have been paid.

**8. DAMAGE and LOSS IN TRANSIT**

- The Customer must notify the Company of any reasonably apparent damage to the Goods, which was incurred or arose during transit, on delivery. It is the Customer's responsibility to mark as to whether the Goods were "received damaged" or "received in good condition". If the Customer fails to mark the delivery note tendered for signature not in accordance with this clause then the Customer shall be deemed to have received the Goods in good condition.
- Any damage which is not apparent on reasonable inspection of the Goods on delivery which is incurred or arise during transit must be notified by the Customer to the Company in writing within 24 hours of receipt of the Goods by the Customer.
- Non delivery of Goods must be notified by the Customer to the Company in writing within 24 hours from the Delivery Date.
- The Customer shall be liable for any loss or damage consequent upon failure to notify as stipulated in these conditions.
- Goods damaged during transit must be kept together with the packing for inspection by or on behalf of the Company.

**9. CANCELLATION AND RETURNS**

- The Company shall have the right to refuse to accept cancellation of an order by the Customer, but in the event of acceptance shall be entitled to charge for all work carried out or expenses incurred in relation to the order before such acceptance. No request for cancellation will be accepted unless it is in writing.
- The Company may at its sole and absolute discretion agree to re-stock an item which is suitable for re-sale by the Company, at a charge of 30% of the invoiced value.
- The Customer shall be responsible for returning the item to the Company in a manner which ensures that no damage is caused to the item in transit.
- The Customer shall bear full responsibility for any loss or damage caused to any item when returning it to the Company in accordance with this clause.
- On receipt of the returned item the Company shall issue a credit note to the Customer in the sum of the invoiced amount for the item less 30%. Provided that in the opinion of the Company the item is in pristine condition.
- Notwithstanding that the Customer may return an item to the Company a debit note shall not be issued and/or payment withheld by the Customer at any time during the transaction.

**10. TITLE AND RISK**

- Until the price for the Goods has been paid in full to the Company the Customer shall remain a bailee only and the ownership of the Goods shall remain with the Company.
- The Customer shall keep all Goods belonging to the Company insured and risk will pass on delivery, notwithstanding that the property remains with the Company until the Goods are paid for in full.
- The Company is irrevocably authorised to enter any premises where goods are situated and take possession of and remove the Goods at the Customer's expense:-
- At any time after payment (or any part thereof) has become due and has not been received in full whether demanded or not.
- If payment has not been received in full (whether or not payment has become due) upon the Customer ceasing to trade or upon the appointment of a Receiver of the whole or any part of the Customer's undertaking or upon the Customer entering liquidation or compounding with its creditors or taking or suffering any similar action in consequence of debt.

**11. UNDERTAKING and WARRANTY**

- Save as provided in sub paragraph (b) the Company undertakes that if within a period of 12 months any part of the Goods becomes defective (other than through fair wear and tear) and notice in writing or by fax thereof is received by the Company within 14 days of such discovery and if between the date of delivery and the receipt by the Company of such notice the Goods at all times have been used with reasonable care and by competent persons and nobody has attempted to repair or alter or otherwise interfere with the Goods (without the consent of the Company), or they have been subjected to conditions outside their design parameters, the Company will send a replacement for the defective part. All labour, transport and packing costs incurred in sending and installing such replacement shall be paid by the Customer.
- The Customer is responsible for ensuring that the capacity and performance of any Goods purchased from the Company are sufficient for the Customer's purpose and that any instructions for care and maintenance of the product have been adhered to.

**12. LIMITATION OF LIABILITY**

Save as set out in paragraph 7 above

- The Company shall not be liable in any way whatsoever for any failure to comply with the terms of this contract which is due to circumstances out of the Company's control including but not limited to acts of God, war, flood, fire, labour disputes, strikes, lock outs, riots, civil commotion, malicious damage, explosion, governmental actions and any similar events.
- The Company shall not be liable in any circumstances for loss of profits, interest paid or payable by the Customer, loss of orders, consequential loss, loss of profits or loss or expenses consequent upon the disruption of the business of the Customer.
- The Company shall not be liable for any damage to anything arising from the Goods or any defect in them or use made of them and the Customer shall indemnify the Company against any claim thereof.
- All conditions representations warranties or undertakings in connection with the Goods whether implied by statute, common law, custom, or for any reason whatsoever and whether as to quality, condition, fitness for purpose, use or otherwise whatsoever are hereby excluded.
- The sale or supply of Goods is strictly on the terms that the Customer has had every opportunity to examine the Goods and has satisfied himself as to their condition and suitability, and the Customer acknowledges that all specifications and details in catalogues quotations acknowledgements or orders or similar documents or by word of mouth and all dates of manufacture and specific forecasts of performance howsoever given are approximate, and do not form part of the contract between the Company and the Customer.

**13. REMEDIES OF THE BUYER**

- Where the Customer rejects any of the Goods then the Customer shall have no further rights whatsoever in respect of the supply to the Customer of such Goods or the failure by the Company to supply Goods which conform to the contract of sale.
- Where the Customer accepts or has been deemed to accept any Goods then the Company shall have no liability whatsoever in respect of those Goods.
- The Company shall not be liable to the Customer for late delivery or short delivery of the Goods.

**14. LEGAL CONSTRUCTION**

These conditions and any contract in which these conditions are incorporated shall be governed by and construed in accordance with English law and the customer agrees to submit to the jurisdiction of the English Courts.

<b>A</b>					
Automatic flushing cistern	3,4,5				
<b>B</b>					
Baby changing table	43				
Back to wall pan	8				
Barnfield wc pan suite	14				
Belfast sink	26				
Bowl urinal	7				
bowl urinal trap cover	7				
Bowls, self rimming	27				
Bulk pack toilet tissue dispenser	39				
<b>C</b>					
Catering cupboard	24				
Catering sink units	17-22				
Catering tables	23				
Circular inset washbasin	35				
Circular washtrough	33				
Cistern, urinal	3				
Cistern, wc pan	10				
Cleaners sink	16				
Clifton close coupled suite	9				
Cleaners Combination unit	16				
Combined sink and slop hopper	46				
Compact washtrough	31				
Corner washbasin	36				
Cubicles, shower	57				
Cubicles, wc	15				
Cupboard unit & sink	24				
Cupboard unit, tall	25				
Cupboard unit, wall mounted	25				
Cupboard unit, floor mounted	24				
<b>D</b>					
Deck mounted soap dispenser	40				
Disabled grab rail set	12				
Disabled wc suite	12				
Document m pack	12,13				
Double bowl hospital sink	50,51				
Double toilet roll holder	39				
Down pipe cover	3				
Drinking fountain	44,45				
<b>F</b>					
Floor recessed shower tray	55				
Floor recessed urinal	4				
Floor standing cupboard	24				
Floor standing hopper	49				
Floor standing security basin	29				
Floor standing shelving	28				
Floor standing shower column	56				
Floor standing shower tray	55				
Floor standing urinal	5				
Floor standing vanity unit	30				
<b>H</b>					
Hand dryer	42				
Hand rinse unit	34				
Hopper, floor standing	49				
Hopper with drainer	48				
Hopper with grating	48				
Hopper with sink	46				
Hospital sink	50,51				
<b>I</b>					
Inset circular washbasin	35				
Inset economy washbasin	35				
Inset sink tops	19,20				
Island washtrough	31				
<b>J</b>					
Janitorial unit	16				
Joint cover strip	6				
Jumbo toilet tissue dispenser	38				
<b>M</b>					
Mini washbasin	37				
Mini jumbo toilet tissue dispenser	38				
<b>P</b>					
Paper towel dispenser	41				
Pedestal close coupled WC suite	11				
Pedestal drinking fountain	45				
Pedestal high level WC suite	11				
Pedestal WC pan	10				
Plaster sink	52				
Plastic auto cistern	4,5				
Plastic seat & cover, WC	8				
Play sink	26				
<b>R</b>					
Reading wc pan suite	14				
Recessed soap dispenser	40				
Round bowl washbasin	36				
Round drinking fountain	44				
Round inset washbasin	35				
Recessed hand dryer	42				
<b>S</b>					
Seat & cover, WC	8				
Security basin	29				
Security hand rinse unit	34				
Self rimming bowl	27				
Semi circular washtrough	33				
Shelf, wall mounted	28				
Shelving, floor standing	28				
Shower column	56				
Shower cubicle	57				
Shower tray	55				
Shrouded back to wall pan	8				
Shrouded disabled pan	13				
Shrouded disabled wc suite	12				
Shrouded wc pan	8				
Single bowl hospital sink	50				
Single stall urinal	7				
Single toilet roll holder	38,39				
Sink & slop hopper	46				
Sink, cleaners	16				
Sink, cleaners combination unit	16				
Sink unit	17-22				
Sink unit, inset	19,20				
Sink unit, sit on	21,22				
Sit on work top	23				
Slop hopper	46-49				
Soap dispensers	40				
Standard hand rinse unit	34				
Surgeons scrub up trough	53,54				
<b>T</b>					
Table, catering	23				
Tall cupboard unit	25				
Toilet roll holder	38,39				
Toilet tissue dispenser	38,39				
Trap cover	3				
<b>U</b>					
Urinal, bowl	7				
Urinal cistern	3				
Urinal joining assembly	6				
Urinal, floor recessed	4				
Urinal, floor standing	5				
Urinal, single stall	7				
Urinal, wall hung	2				
<b>V</b>					
Vanity unit	30				
Vertical soap dispenser	40				
<b>W</b>					
Wall hung pan	9				
Wall hung urinal	2				
Wall mounted cupboard	25				
Wall mounted security basin	29				
Wall mounted shelf	28				
Wall mounted shower unit	56				
Wall mounted vanity unit	30				
Washbasin, corner	36				
Washbasin, inset square	35				
Washbasin, mini	37				
Washbasin, circular	35				
Washtrough, circular	33				
Washtrough, island range	31				
Washtrough, wall mounted	31,32				
Wc cubicle	15				
Wc pan, disabled	12,13				
Wc pan cistern	10				
Wc pan, barnfield suite	14				
Wc pan, clifton suite	9				
Wc pan, disabled suite	12				
Wc pan, pedestal	10				
Wc pan, pedestal suite	10				
Wc pan, shrouded	8				
Wc pan, wall hung	9				
Wc pan, reading suite	14				
Work top	23				