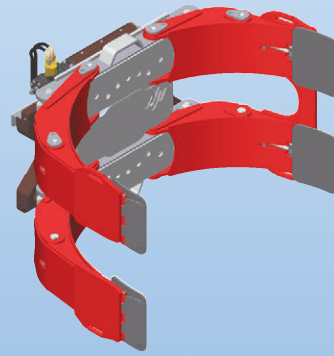
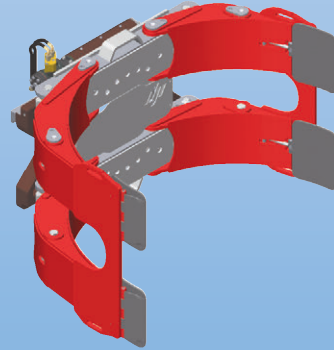


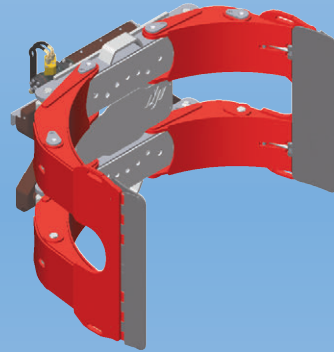
Paper roll clamps



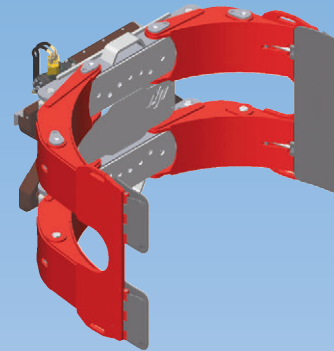
PRK TB with 4 contact plates (standard execution)
 Long arm split
 Powered short arm
 Supports handling of two rolls with different diameters
 Powered short arm enables handling of very small rolls



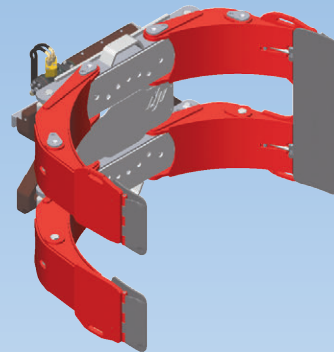
PRK B with 4 contact plates (standard execution)
 Powered short arm
 Handles 1 roll at a time
 Powered short arm enables handling of very small rolls



PRK B with 2 long contact plates (option: one piece)
 Powered short arm
 Handles 1 roll at a time
 Powered short arm enables handling of very small rolls
 One piece contact plates can be offered upon request



PRK B with 3 contact plates (option: one piece)
 Powered short arm
 Handles 1 roll at a time
 Powered short arm enables handling of very small rolls
 One piece contact plate can be offered upon request



PRK TB with 3 contact plates (option: one piece)
 Powered short arm
 Supports handling of two rolls with different diameters
 Powered short arm enables handling of very small rolls
 One piece contact plate can be offered upon request

DURWEN HEADQUARTERS



DURWEN SUPPORT WORLDWIDE



- Made in Germany
- Worldwide support network
- Broad product range
- Worldwide shipping

DSP-TECHNOLOGY IS THE DURWEN SERVICEPLUS PERFORMANCE

DSP gives maximum utilisation with a minimum of maintenance and repair cost.

DSP-Technology allows quick and easy parts replacement by means of bolted modular key components.

DSP-Technology means:

- many common parts
- reduced maintenance costs
- excellent product service life
- extended maintenance intervals
- wear parts with a first rate service life
- reduced maintenance work
- maximum efficiency



The Durwen ServicePlus package is based upon decades of Expertise - Know How that benefits customers because DSP-Technology is extra profit without extra costs. DSP-Technology means short, managed maintenance intervals and reasonably priced replacement spare parts.

DSP-Technology is enhanced profit technology.

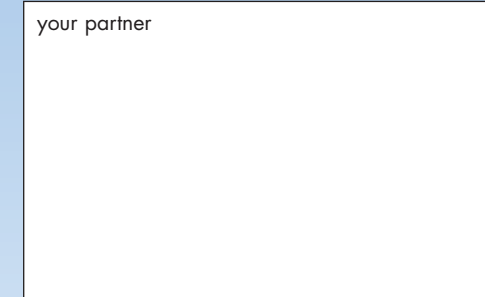


More than 60 years experience

Durwen Maschinenbau GmbH
 August-Horch-Straße 5
 56637 Plaidt - Germany

Phone: +49 26 32-70 00-0
 Fax: +49 26 32-70 00-31

export@durwen.de
 www.durwen.de



PRK_GS_ENG_08_2016



More than 60 years experience

360° REVOLVING PAPER ROLL CLAMP PRK

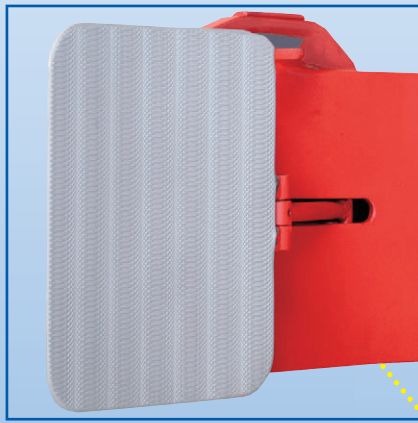


More than 60 years experience



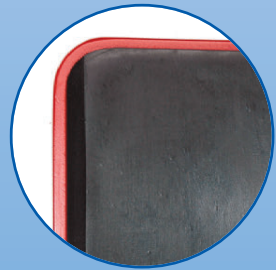
Management System
 ISO 9001:2008
 www.tuv.com
 ID 110901000



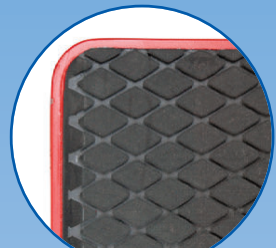


steel grip surface as standard

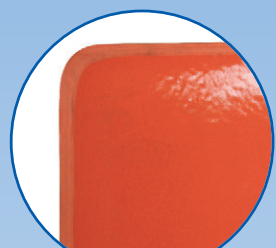
optional:



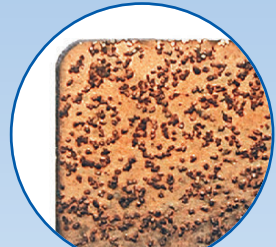
smooth rubber black



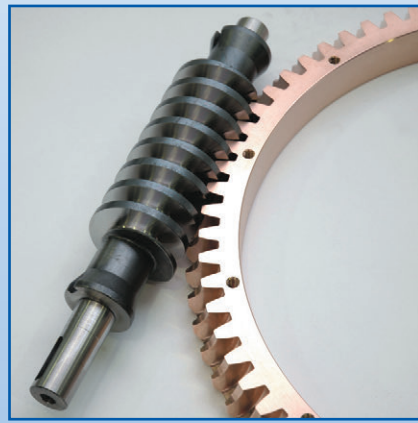
rhombic rubber black



smooth PU orange

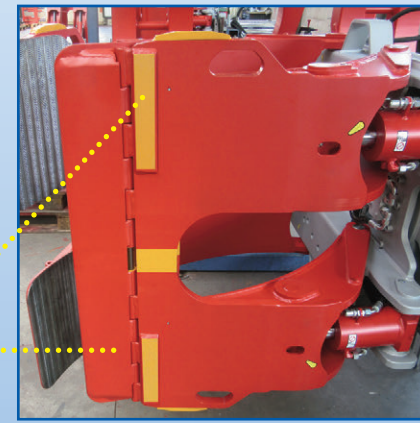


steel sprayed



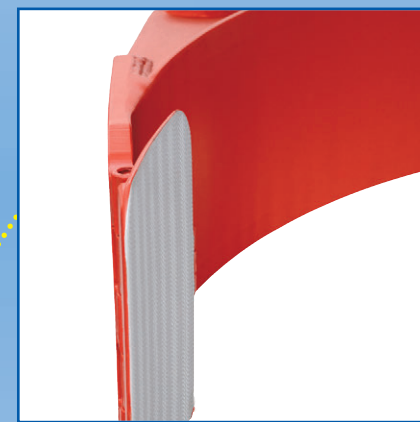
360° direct drive

available with short arm powered or fixed

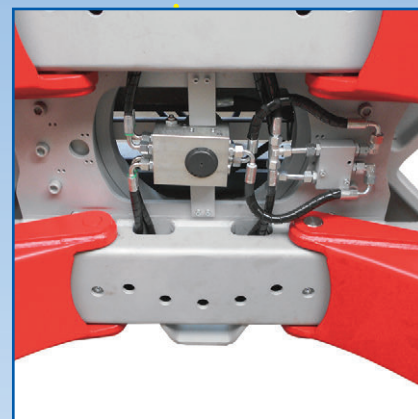


wear protection as standard

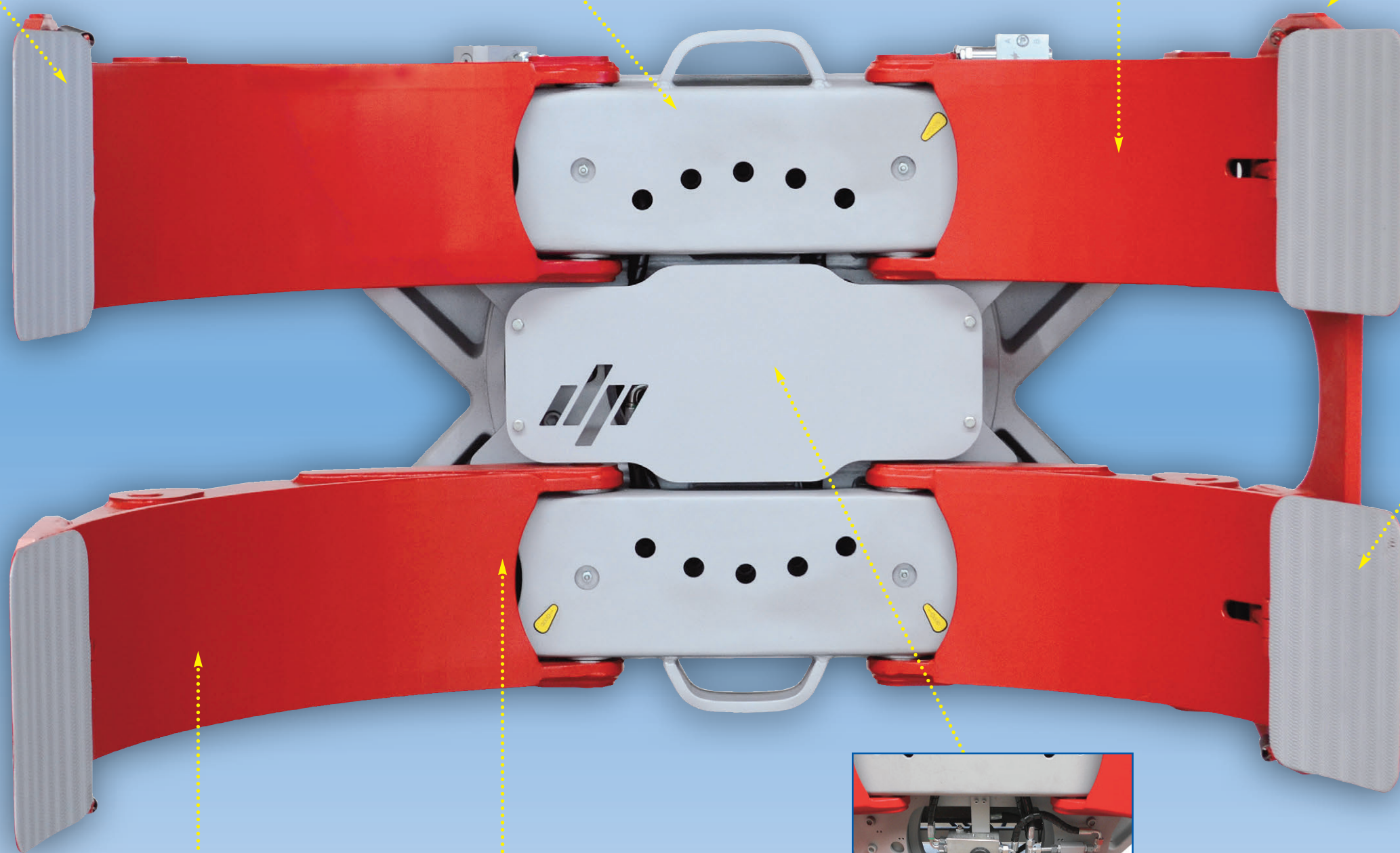
option: long contact plate



slimline arm profile to allow dense handling and de-stuffing



standard: no cover



long arm split or unsplit

individual check valves and test access on each cylinder

There are more surfaces available, just ask.

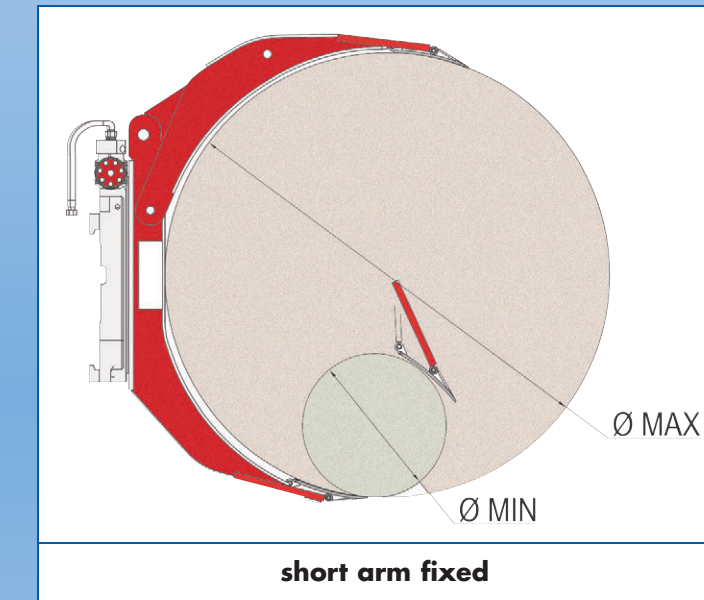
Durwen paper roll clamps feature slimline arm profile and are available in different configurations.

Revolving paper roll clamps from Durwen are designed to handle rolls in bilge position with regular forklift truck mast tilt of 3.5° forward. 0° arm design is also available.

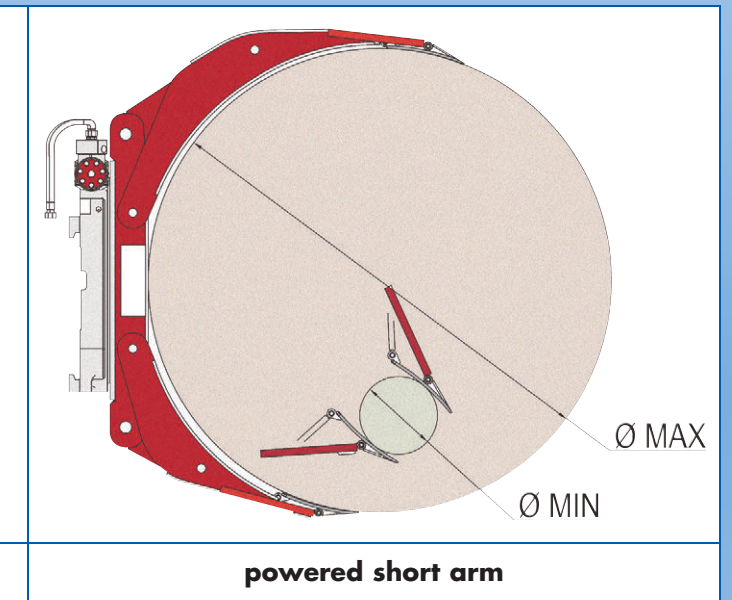
The slimline arms have multiple smooth wear protections as standard. Durwen uses the 360° direct drive rotation design for reliable and smooth rotation of reels. The Durwen standard contact plates are made of steel and feature a machined grip profile. They are easy to maintain and repair. Furthermore, there is a large variety of different pads and pad surfaces available.

If you do not find the surface to provide best results, please let us know.

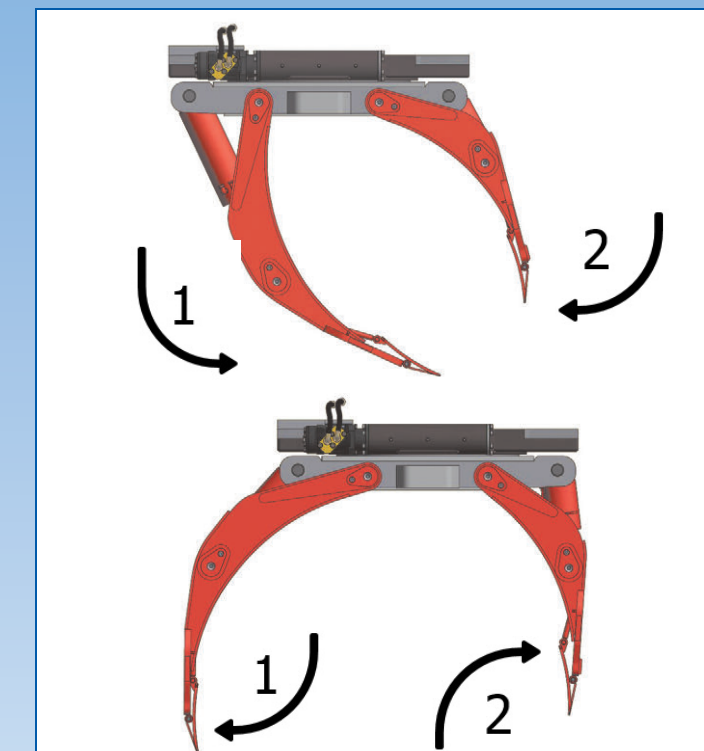
Models with powered short arm feature sequential positioning as standard. When ordering you can choose positioning at 45° rotation at no extra cost. Later change involves cost. We also offer a range of test equipment upon request and can also provide different systems for clamp pressure regulation. The Durwen paper roll clamp range requires 150 bar pressure. Less pressure results in less clamping force.



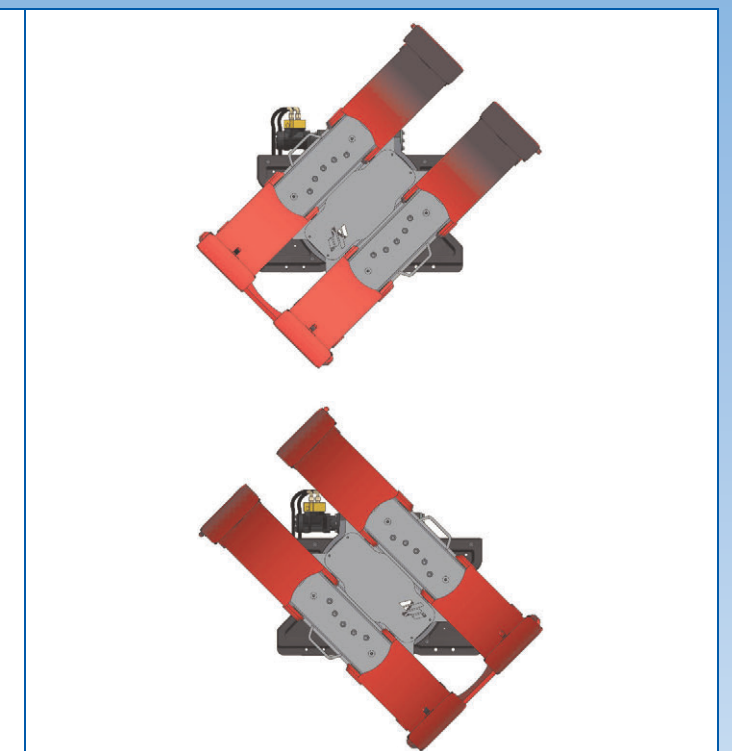
short arm fixed



powered short arm



standard: powered short arm sequential function



powered short arm positioning at 45°



DURWEN Forklift Attachments
More than 60 years experience