



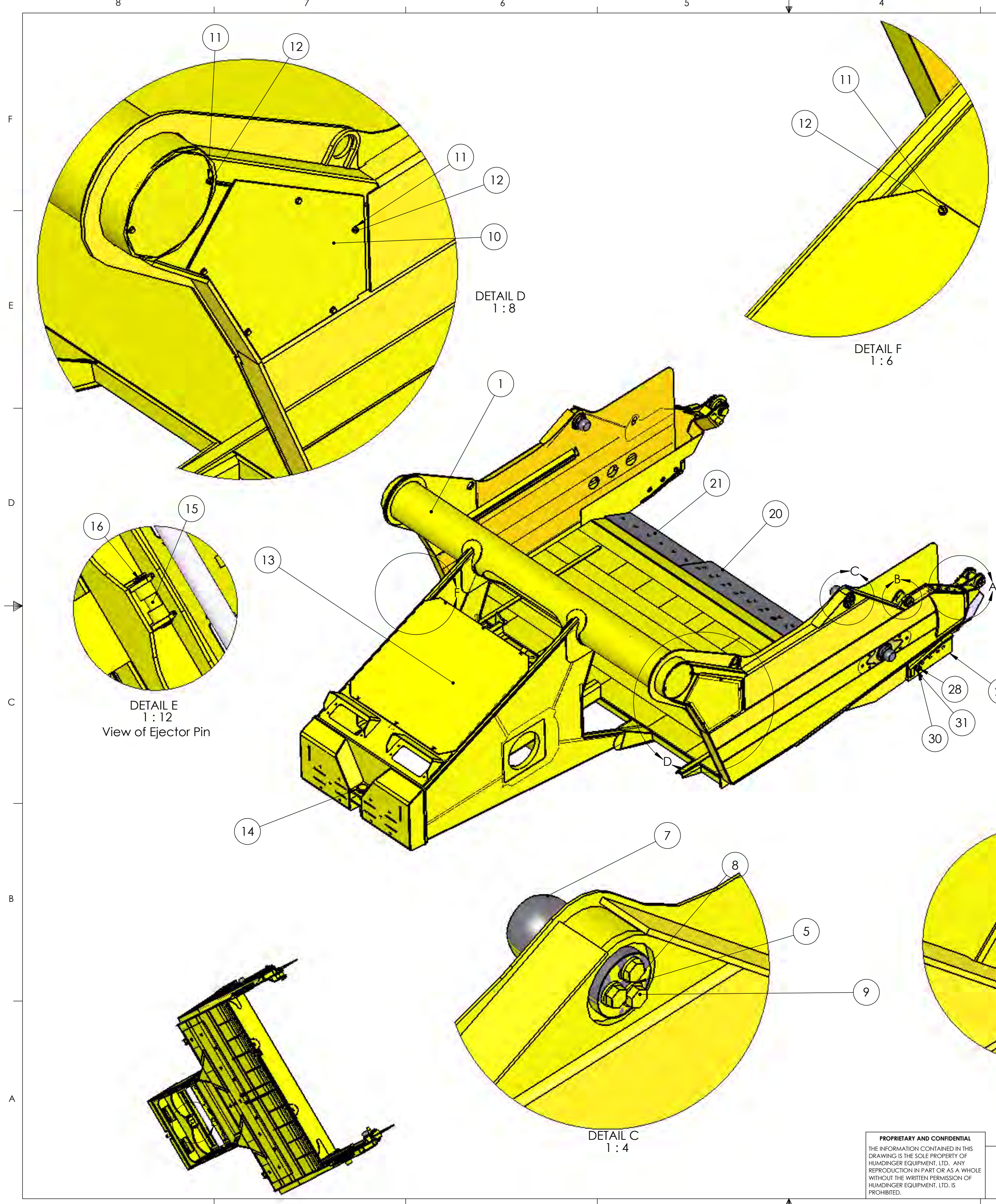
Parts Book

619 G

SERIAL NUMBERS

CRDA00421 – Up

Version 4-07



ITEM NO.	PART NUMBER	DESCRIPTION	Default/QTY.
1	40021	Bowl Assembly	1
2	40349	Cover Rear Spreader	2
3	40244	Draft Frame Lower Pin	2
4	40245	Retainer Pin	2
5	.75 FW HD	Flat Washer Grade 8	10
6	.75-10-2.50	Hex Bolt Grade 8	2
7	40621	Trunnion Ball - Apron	2
8	40620	Trunnion Retainer	2
9	.75-10-3.50	Hex Bolt Grade 8	6
10	40421-1	Cover Plate	1
11	.375 FW	Flat Washer	21
12	375-16-1.00	Hex Bolt Grade 8	20
13	40458	PLATE-COVER	1
14	40350	Pin - Pull RF	1
15	40336	Pin	1
16	40347	Spiral WMS-125	2
17	40842	Lower Apron Pin Assy	2
18	.50 FW HD	Half Inch Flat Washer HD	1
19	.50-13-.750	Grade 8 Hex Bolt	1
20	40163	Edge - Cutting Center	1
21	40164	Edge - Cutting Side	2
22	40339	Bit-Router	2
23	40826	Key-Apron Ball	2
24	40612	rear spread cover lug	2
25	40305	Adapter-Tooth	5
26	40340	Tip - Long	5
27	3.5 inch plow bolt 1 - 8.STL	Plow bolt use 30 when not using teeth	30
28	3 inch plow bolt 1 - 8.STL	Router Bolt	6
29	4.5 inch plow bolt 1 - 8.STL	Use 2 per tooth -usually 5 teeth	10
30	HHNUT 1.0000-8-D-N	Nut 1-8	1
31	FW 1	3/4 Flat Washer	1

Humdinger Equipment, Ltd.

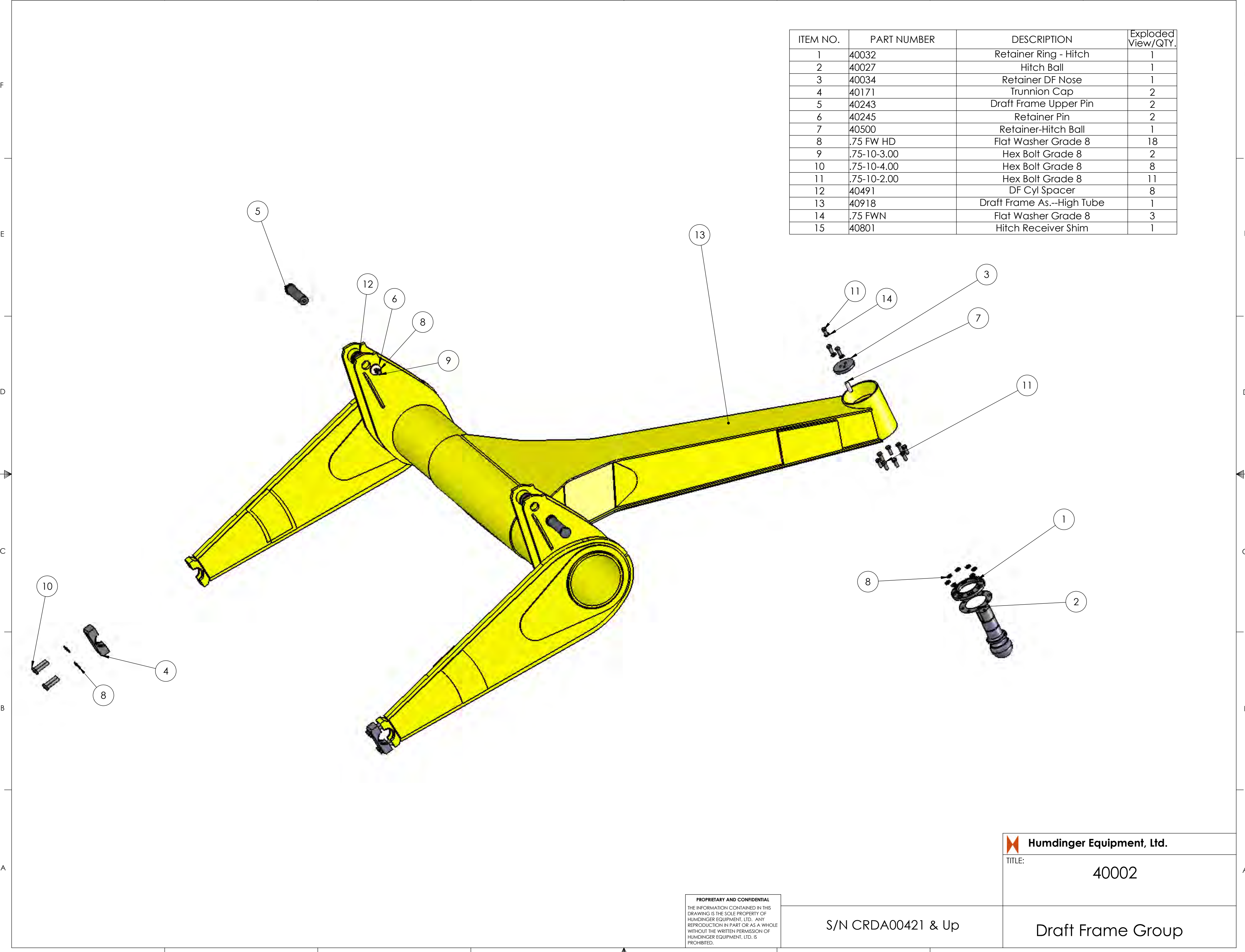
TITLE:
Bowl Group

S/N CRDA00421 & Up

40001

PROPRIETARY AND CONFIDENTIAL
THE INFORMATION CONTAINED IN THIS DRAWING IS THE SOLE PROPERTY OF HUMDINGER EQUIPMENT, LTD. ANY REPRODUCTION IN PART OR AS A WHOLE WITHOUT THE WRITTEN PERMISSION OF HUMDINGER EQUIPMENT, LTD. IS PROHIBITED.

ITEM NO.	PART NUMBER	DESCRIPTION	Exploded View/QTY.
1	40032	Retainer Ring - Hitch	1
2	40027	Hitch Ball	1
3	40034	Retainer DF Nose	1
4	40171	Trunnion Cap	2
5	40243	Draft Frame Upper Pin	2
6	40245	Retainer Pin	2
7	40500	Retainer-Hitch Ball	1
8	.75 FW HD	Flat Washer Grade 8	18
9	.75-10-3.00	Hex Bolt Grade 8	2
10	.75-10-4.00	Hex Bolt Grade 8	8
11	.75-10-2.00	Hex Bolt Grade 8	11
12	40491	DF Cyl Spacer	8
13	40918	Draft Frame As.--High Tube	1
14	.75 FWN	Flat Washer Grade 8	3
15	40801	Hitch Receiver Shim	1



 **Humdinger Equipment, Ltd.**

TITLE: 40002

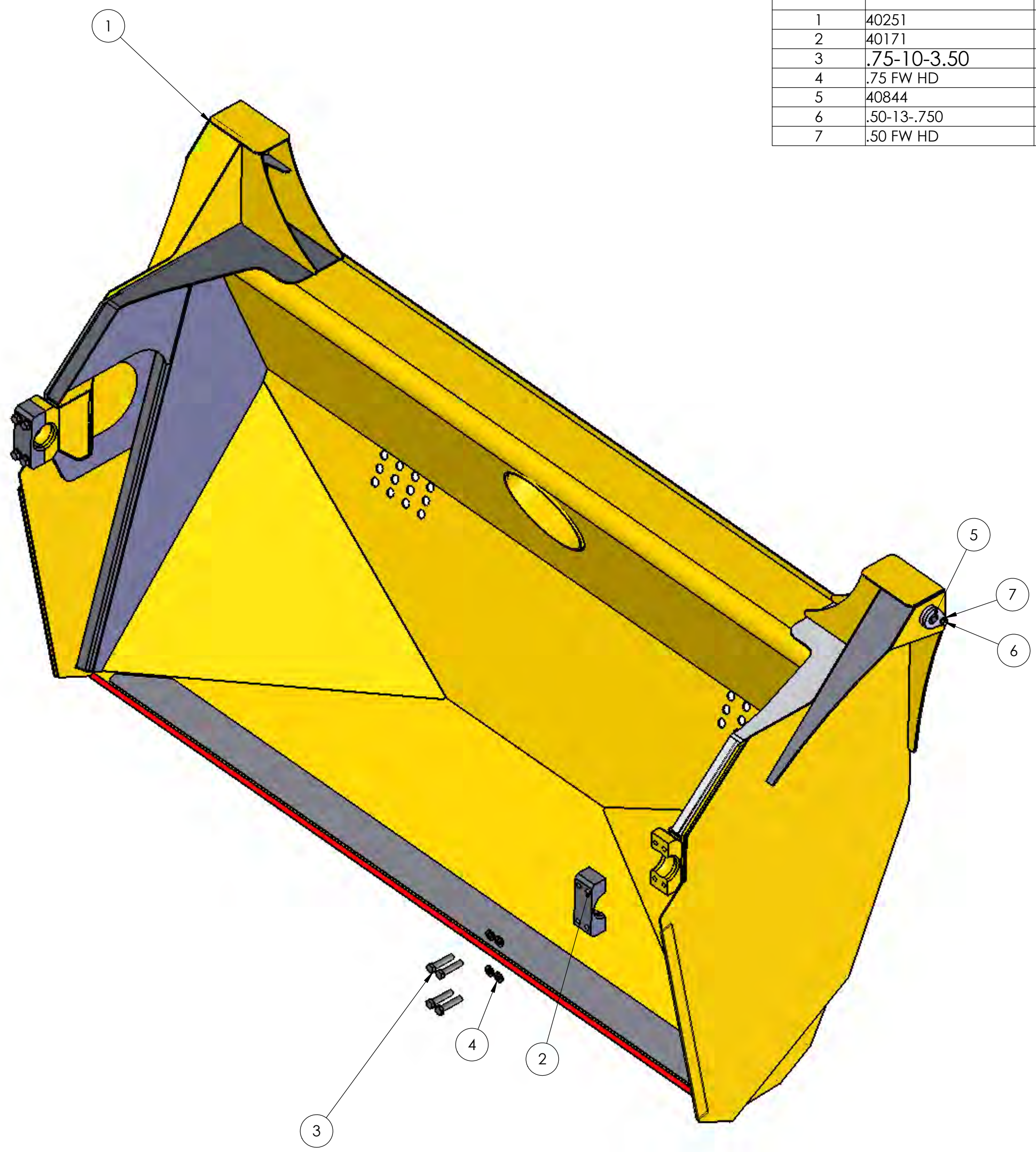
PROPRIETARY AND CONFIDENTIAL
 THE INFORMATION CONTAINED IN THIS DRAWING IS THE SOLE PROPERTY OF HUMDINGER EQUIPMENT, LTD. ANY REPRODUCTION IN PART OR AS A WHOLE WITHOUT THE WRITTEN PERMISSION OF HUMDINGER EQUIPMENT, LTD. IS PROHIBITED.

S/N CRDA00421 & Up

Draft Frame Group

8 7 6 5 4 3 2 1

F
E
D
C
B
A



1	40251	Apron Group	1
2	40171	Trunnion Cap	2
3	.75-10-3.50	Hex Bolt Grade 8	8
4	.75 FW HD	Flat Washer Grade 8	8
5	40844	Upper Apron Pin	2
6	.50-13-.750	Grade 8 Hex Bolt	2
7	.50 FW HD	Half Inch Flat Washer HD	2

 **Humdinger Equipment, Ltd.**

TITLE:
40004

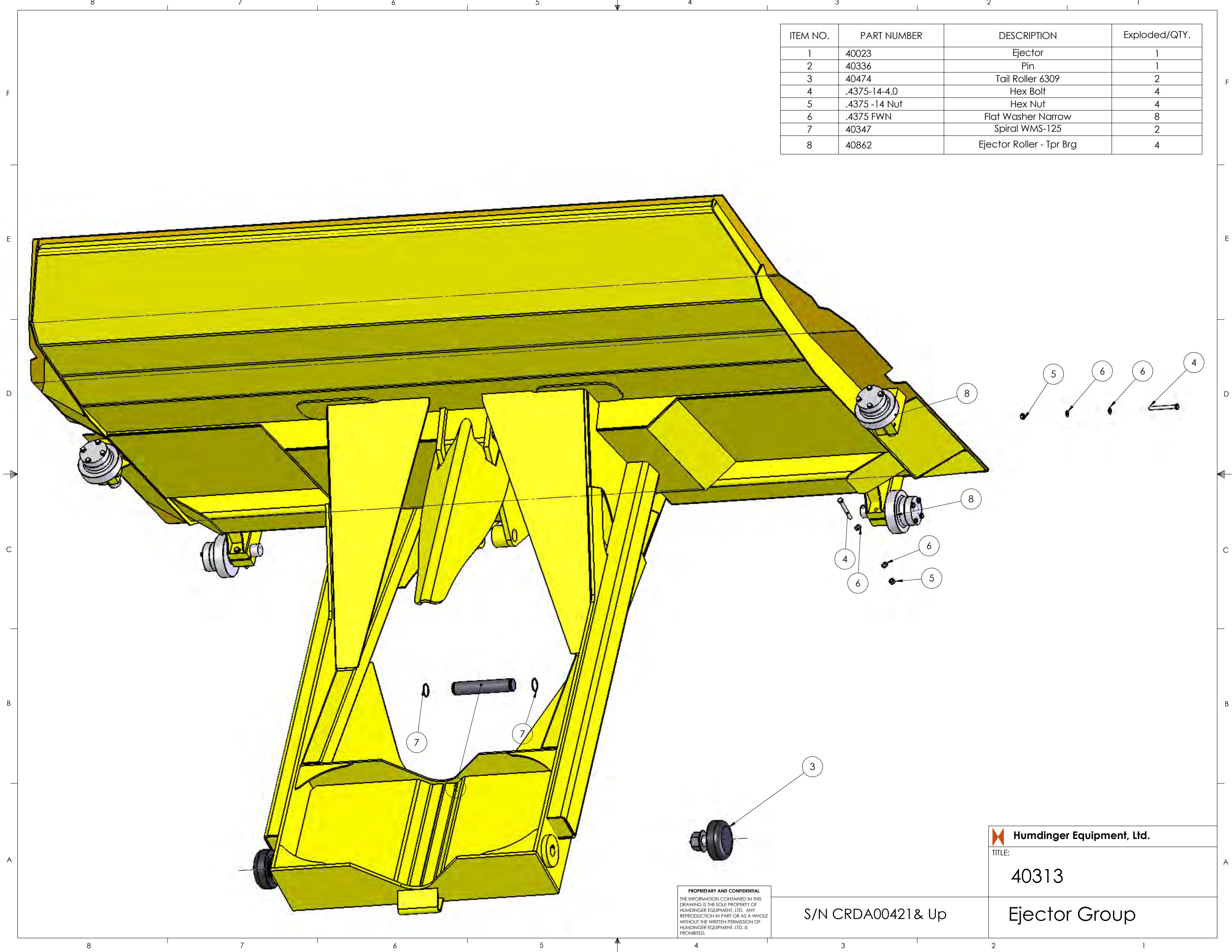
PROPRIETARY AND CONFIDENTIAL
THE INFORMATION CONTAINED IN THIS DRAWING IS THE SOLE PROPERTY OF HUMDINGER EQUIPMENT, LTD. ANY REPRODUCTION IN PART OR AS A WHOLE WITHOUT THE WRITTEN PERMISSION OF HUMDINGER EQUIPMENT, LTD. IS PROHIBITED.

S/N CRDA00421 & Up

Apron Group

8 7 6 5 4 3 2 1

ITEM NO.	PART NUMBER	DESCRIPTION	Exploded/QTY.
1	40023	Ejector	1
2	40336	Pin	1
3	40474	Tail Roller 6309	2
4	.4375-14-4.0	Hex Bolt	4
5	.4375-14 Nut	Hex Nut	4
6	.4375 FWN	Flat Washer Narrow	8
7	40347	Spiral WMS-125	2
8	40862	Ejector Roller - Tpr Brg	4



PROPRIETARY AND CONFIDENTIAL
 THE INFORMATION CONTAINED IN THIS
 DRAWING IS THE SOLE PROPERTY OF
 HUMDINGER EQUIPMENT, LTD. ANY
 REPRODUCTION IN PART OR AS A WHOLE
 WITHOUT THE WRITTEN PERMISSION OF
 HUMDINGER EQUIPMENT, LTD. IS
 PROHIBITED.

S/N CRDA00421 & Up

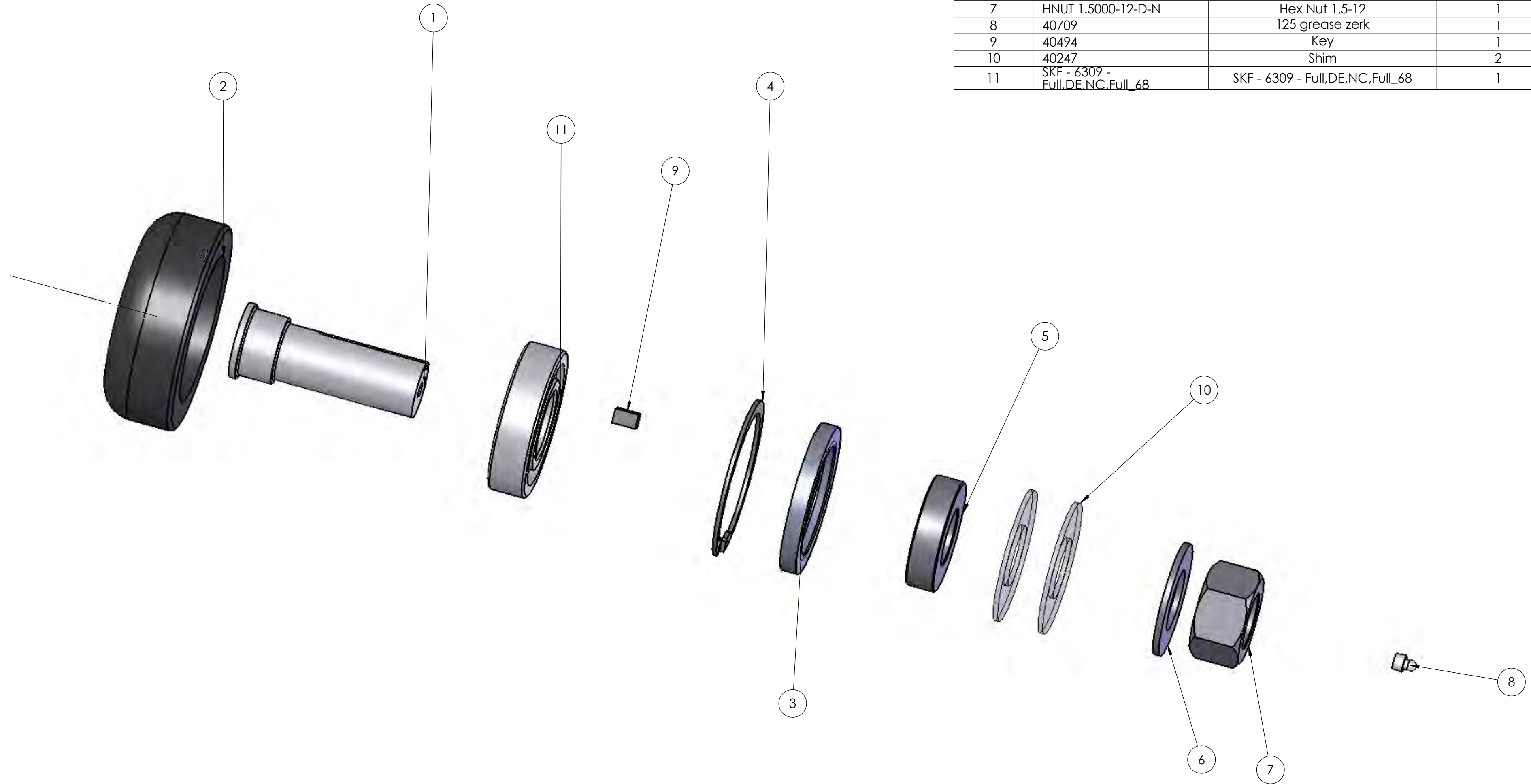
 Humdinger Equipment, Ltd.

TITLE:

40313

Ejector Group

ITEM NO.	PART NUMBER	DESCRIPTION	Exploded View/QTY.
1	40473	Shaft-6309	1
2	40475	Ejector Tail Roller 6309	1
3	40476	Seal 29273	1
4	Truarc N5000-393 - S3.938	Truarc N5000-393 - S3.938	1
5	40477	Spacer 6309 Tail Roller	1
6	FW 1.5	1.5 Flat Washer	1
7	HNUT 1.5000-12-D-N	Hex Nut 1.5-12	1
8	40709	125 grease zerk	1
9	40494	Key	1
10	40247	Shim	2
11	SKF - 6309 - Full,DE,NC,Full_68	SKF - 6309 - Full,DE,NC,Full_68	1



Item 11 Is Two Max

 **Humdinger Equipment, Ltd.**

TITLE:

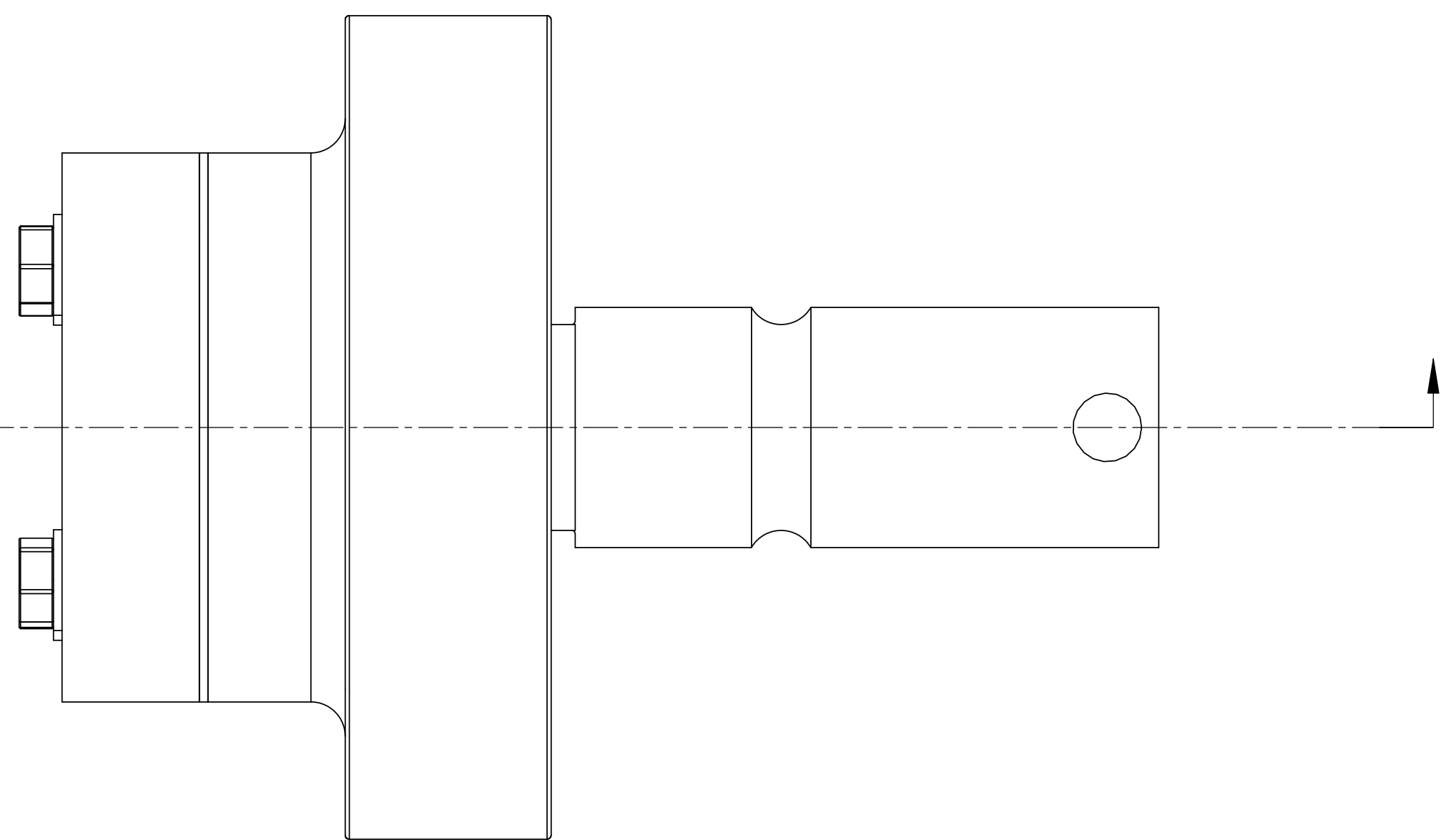
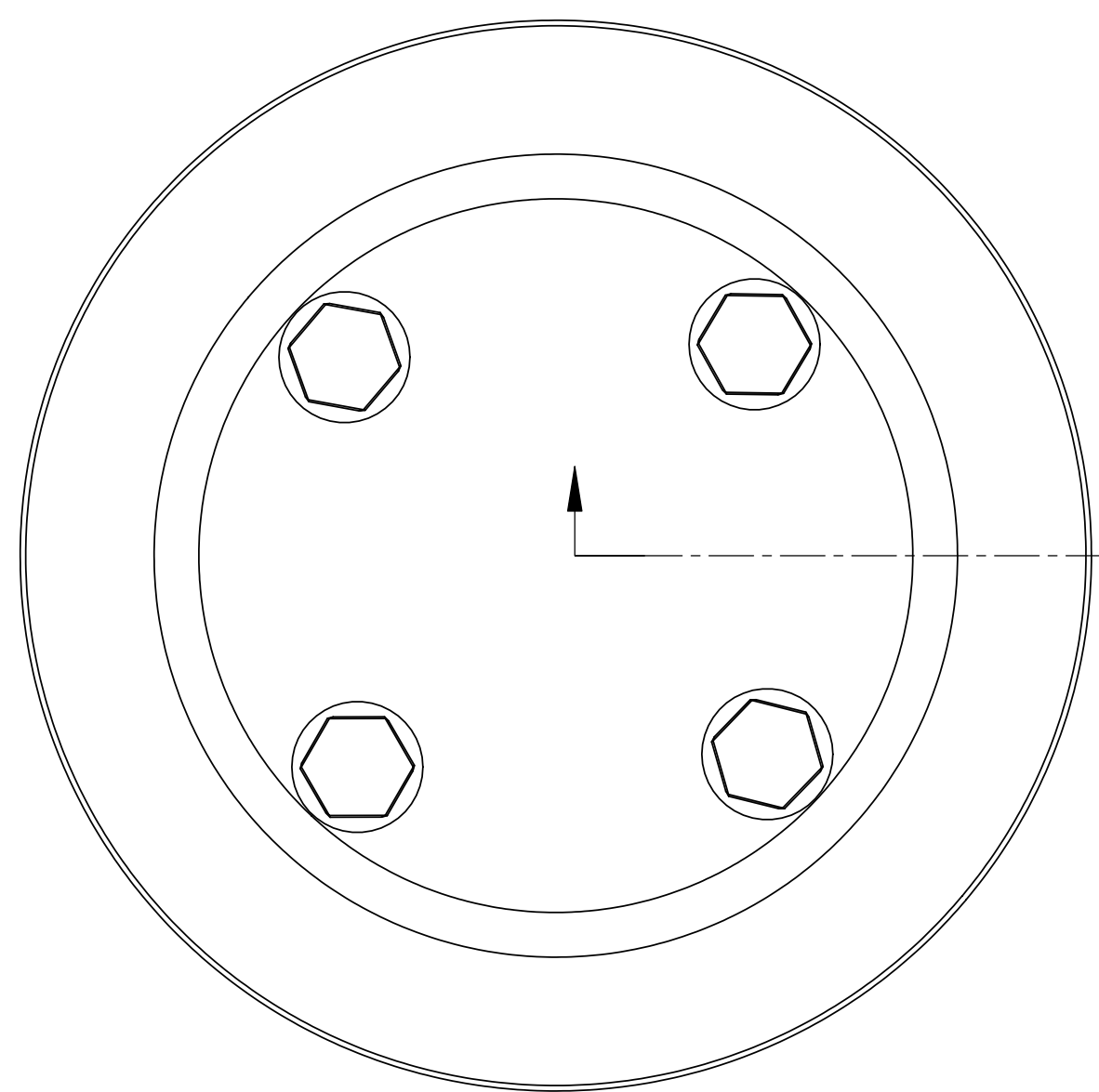
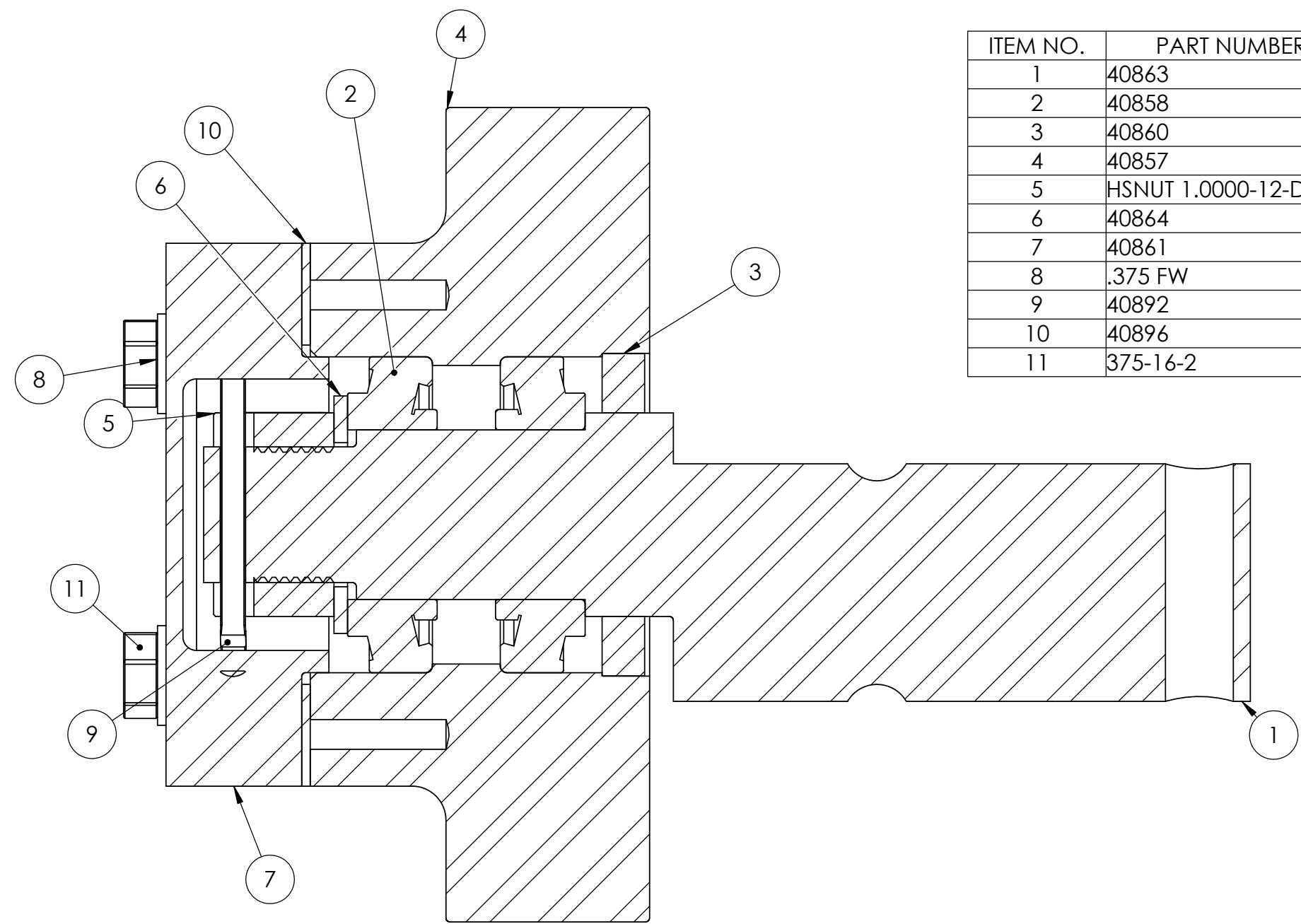
40474

PROPRIETARY AND CONFIDENTIAL
 THE INFORMATION CONTAINED IN THIS DRAWING IS THE SOLE PROPERTY OF HUMDINGER EQUIPMENT, LTD. ANY REPRODUCTION IN PART OR AS A WHOLE WITHOUT THE WRITTEN PERMISSION OF HUMDINGER EQUIPMENT, LTD. IS PROHIBITED.

S/N CRDA00421 & Up

Ejector Tail Roller As.

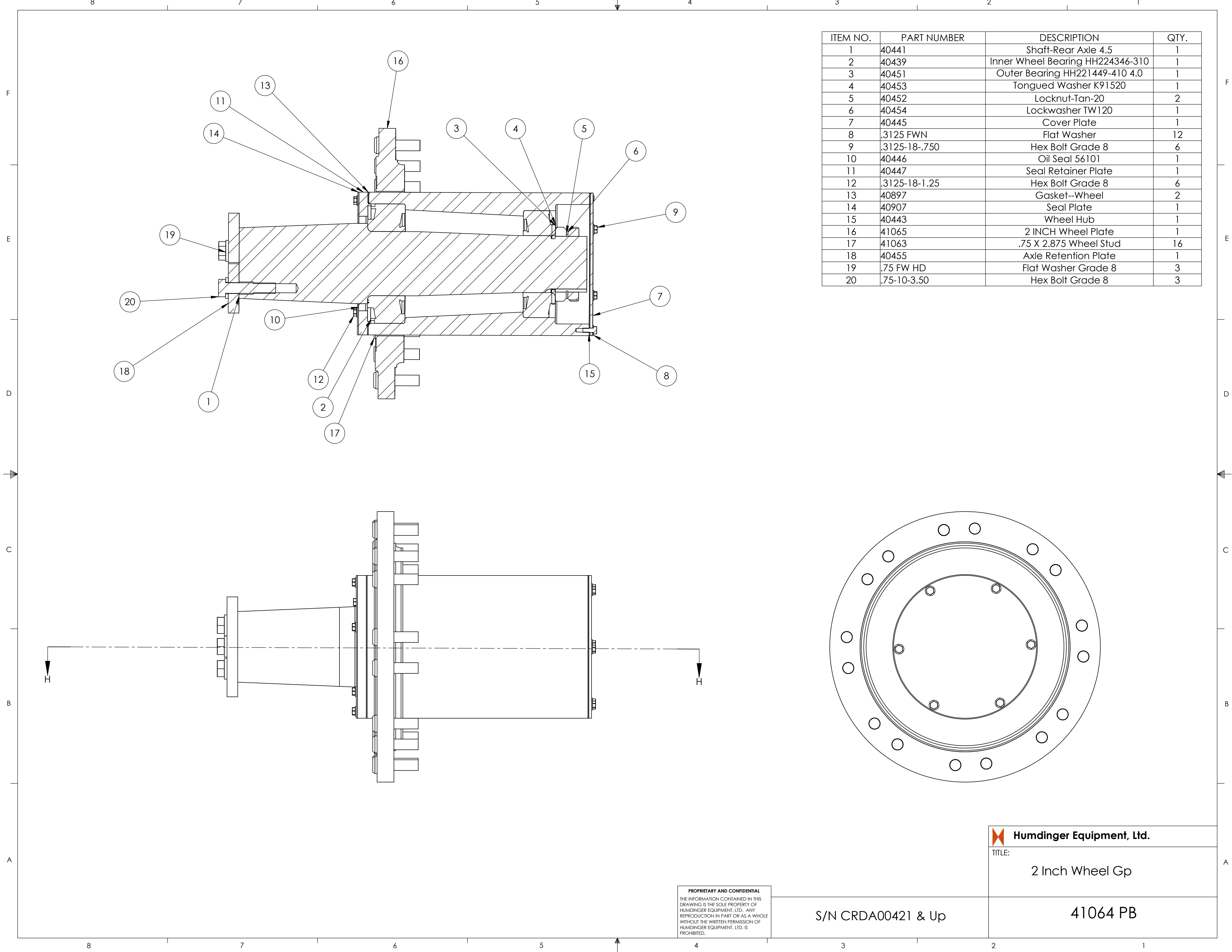
ITEM NO.	PART NUMBER	DESCRIPTION	QTY.
1	40863	Shaft-Ejector Roller	1
2	40858	Bearing LM67048-LM67010	2
3	40860	Seal 14994	1
4	40857	Roller-Ejector Roller	1
5	HSNUT 1.0000-12-D-N	Slotted Hex Nut 1-14	1
6	40864	Washer	1
7	40861	Cover-Roller Ejector	1
8	.375 FW	Flat Washer	4
9	40892	Cotter	1
10	40896	Gasket	1
11	375-16-2	Hex Bolt Grade 8	4



Humdinger Equipment, Ltd.
 TITLE:
 Ejector Roller - Tpr Brg
 40862 PB

PROPRIETARY AND CONFIDENTIAL
 THE INFORMATION CONTAINED IN THIS DRAWING IS THE SOLE PROPERTY OF HUMDINGER EQUIPMENT, LTD. ANY REPRODUCTION IN PART OR AS A WHOLE WITHOUT THE WRITTEN PERMISSION OF HUMDINGER EQUIPMENT, LTD. IS PROHIBITED.

S/N CRDA00421 & Up



ITEM NO.	PART NUMBER	DESCRIPTION	QTY.
1	40441	Shaft-Rear Axle 4.5	1
2	40439	Inner Wheel Bearing HH224346-310	1
3	40451	Outer Bearing HH221449-410 4.0	1
4	40453	Tongued Washer K91520	1
5	40452	Locknut-Tan-20	2
6	40454	Lockwasher TW120	1
7	40445	Cover Plate	1
8	.3125 FWN	Flat Washer	12
9	.3125-18-.750	Hex Bolt Grade 8	6
10	40446	Oil Seal 56101	1
11	40447	Seal Retainer Plate	1
12	.3125-18-1.25	Hex Bolt Grade 8	6
13	40897	Gasket--Wheel	2
14	40907	Seal Plate	1
15	40443	Wheel Hub	1
16	41065	2 INCH Wheel Plate	1
17	41063	.75 X 2.875 Wheel Stud	16
18	40455	Axle Retention Plate	1
19	.75 FW HD	Flat Washer Grade 8	3
20	.75-10-3.50	Hex Bolt Grade 8	3

PROPRIETARY AND CONFIDENTIAL
 THE INFORMATION CONTAINED IN THIS DRAWING IS THE SOLE PROPERTY OF HUMDINGER EQUIPMENT, LTD. ANY REPRODUCTION IN PART OR AS A WHOLE WITHOUT THE WRITTEN PERMISSION OF HUMDINGER EQUIPMENT, LTD. IS PROHIBITED.

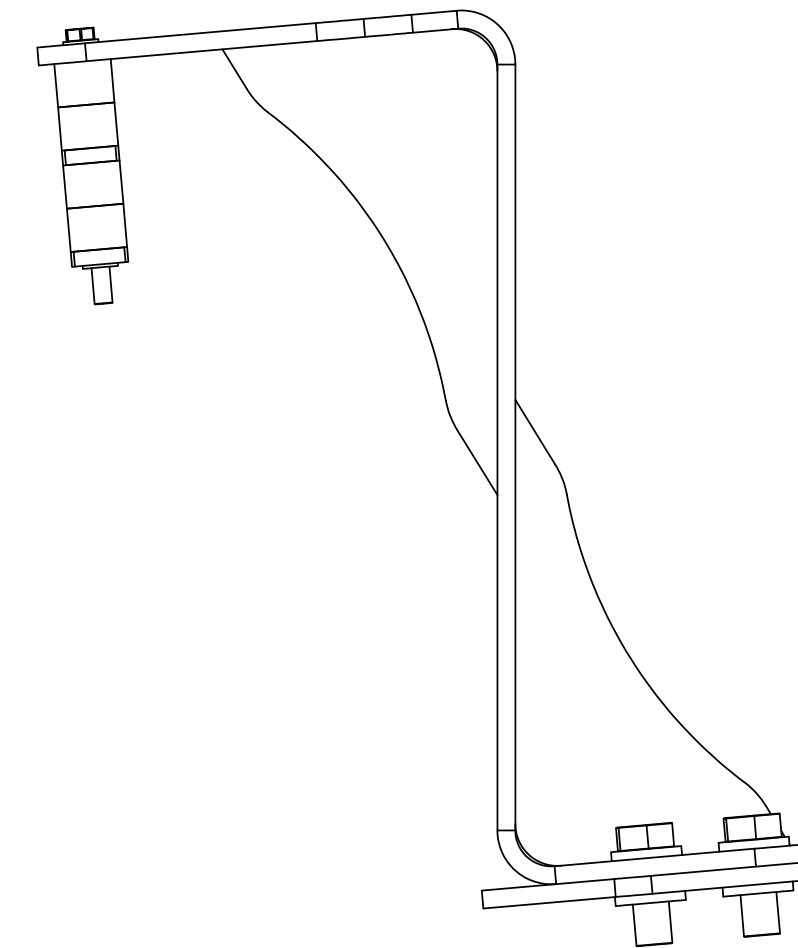
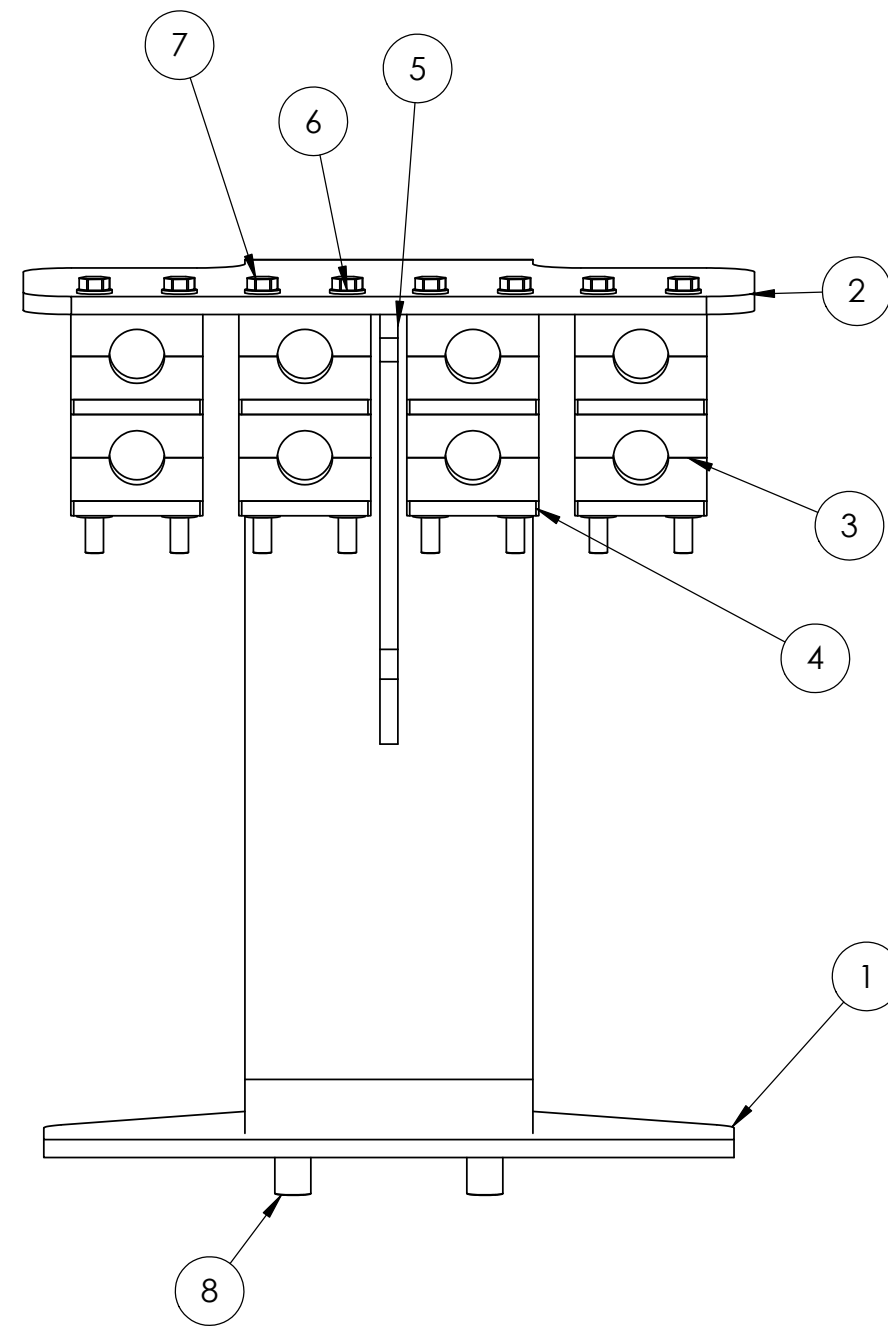
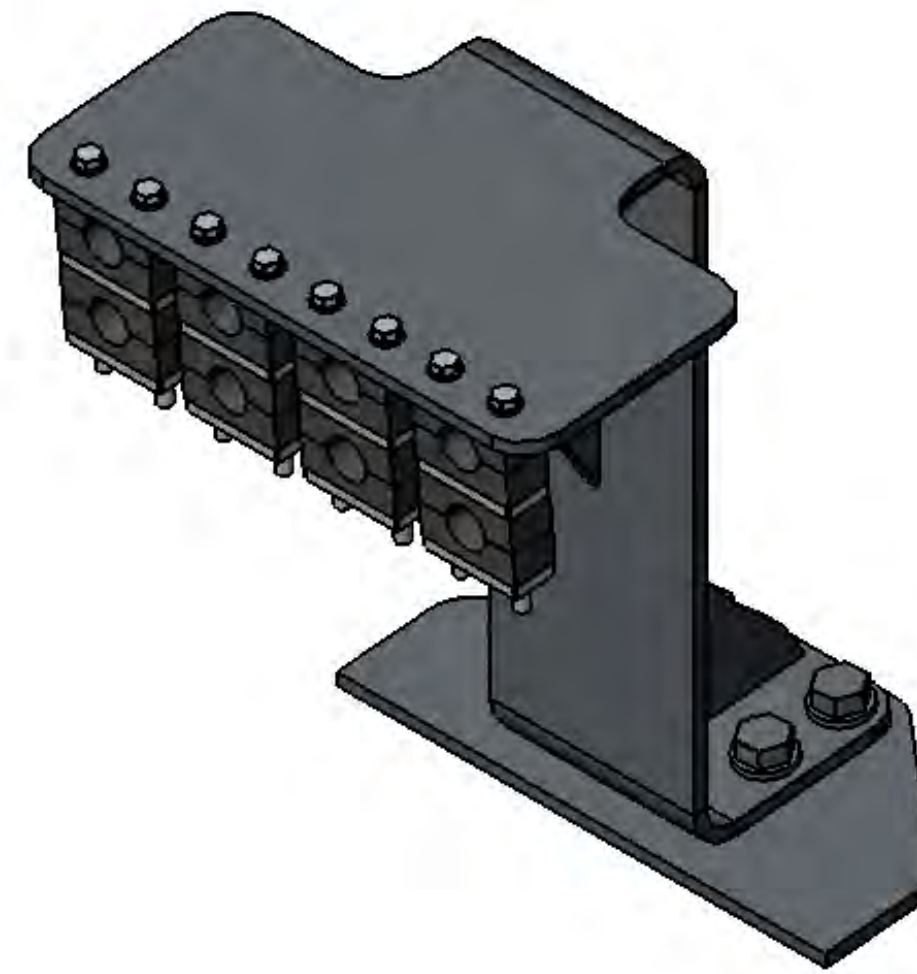
S/N CRDA00421 & Up

Humdinger Equipment, Ltd.

TITLE:
2 Inch Wheel Gp

41064 PB

ITEM NO.	PART NUMBER	DESCRIPTION	QTY.
1	40945	Support Plate	1
2	40944	Stand	1
3	41026	H4292HPP - Hose Clamp	16
4	40599	CPH-4 Cover Heavy	8
5	40946	Gusset	2
6	.375 FW	Flat Washer	16
7	375-16-5.50	Hex Bolt Grade 8	8
8	.75-10-2.00	Hex Bolt Grade 8	4
9	.75 FW HD	Flat Washer Grade 8	8



 **Humdinger Equipment, Ltd.**

TITLE:
Hose Hanger Challenger

PROPRIETARY AND CONFIDENTIAL
THE INFORMATION CONTAINED IN THIS
DRAWING IS THE SOLE PROPERTY OF
HUMDINGER EQUIPMENT, LTD. ANY
REPRODUCTION IN PART OR AS A WHOLE
WITHOUT THE WRITTEN PERMISSION OF
HUMDINGER EQUIPMENT, LTD. IS
PROHIBITED.

S/N CRDA00421 & Up

41127 PB

2-40299 Bowl Lift Cylinder
2-40300 Apron Cylinder
1-40301 Ejector Cylinder

Seal Kits:

40299SK Bowl Lift Cylinder Seal Kit
40300SK Apron Cylinder Seal Kit
40301SK Ejector Cylinder Seal Kit

 **Humdinger Equipment, Ltd.**

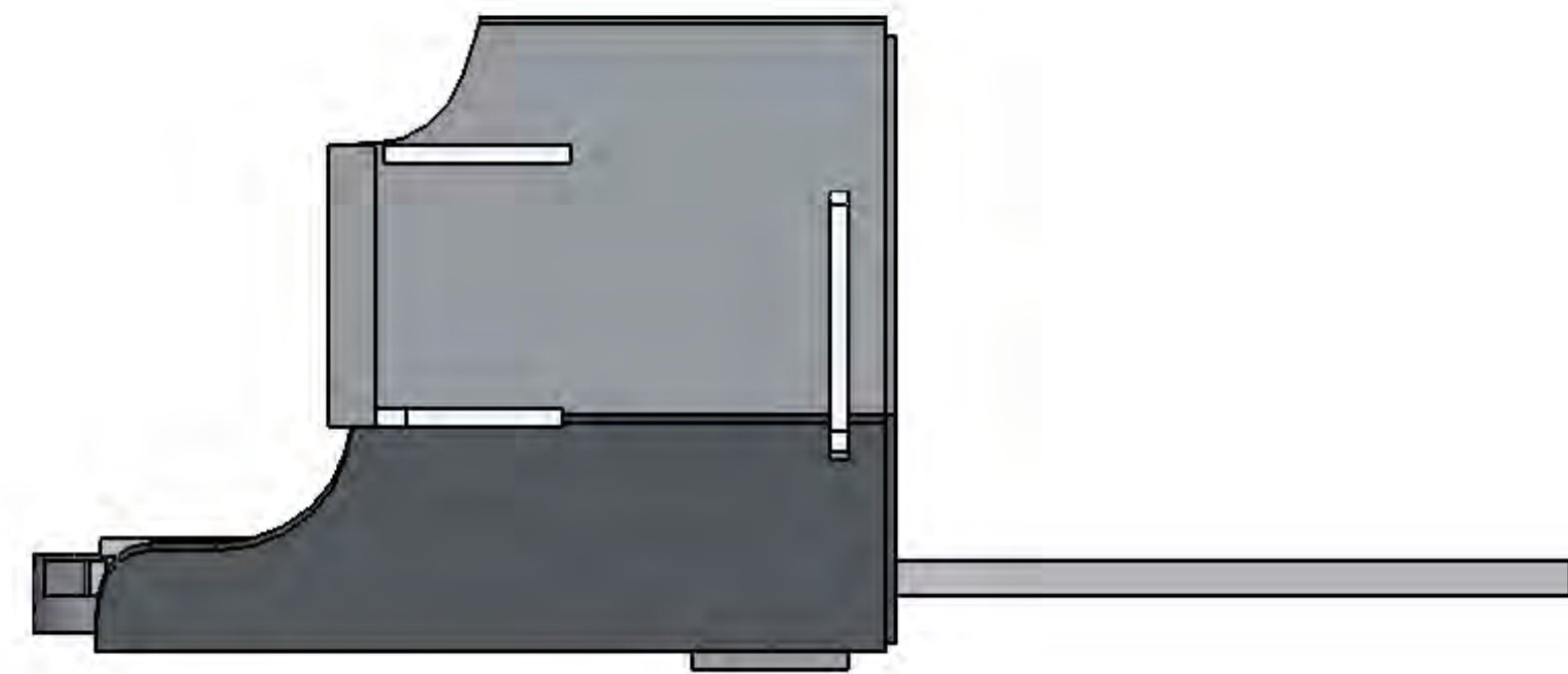
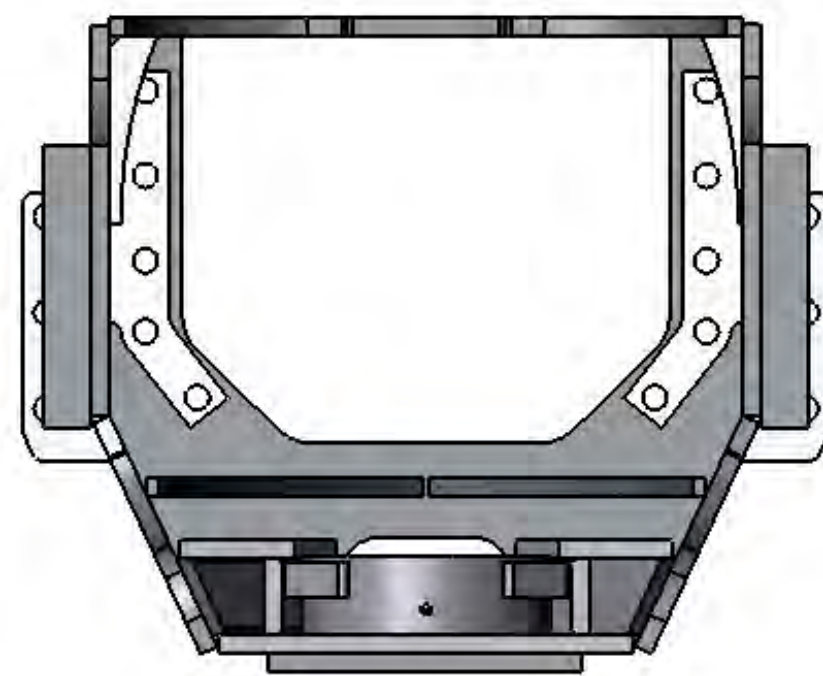
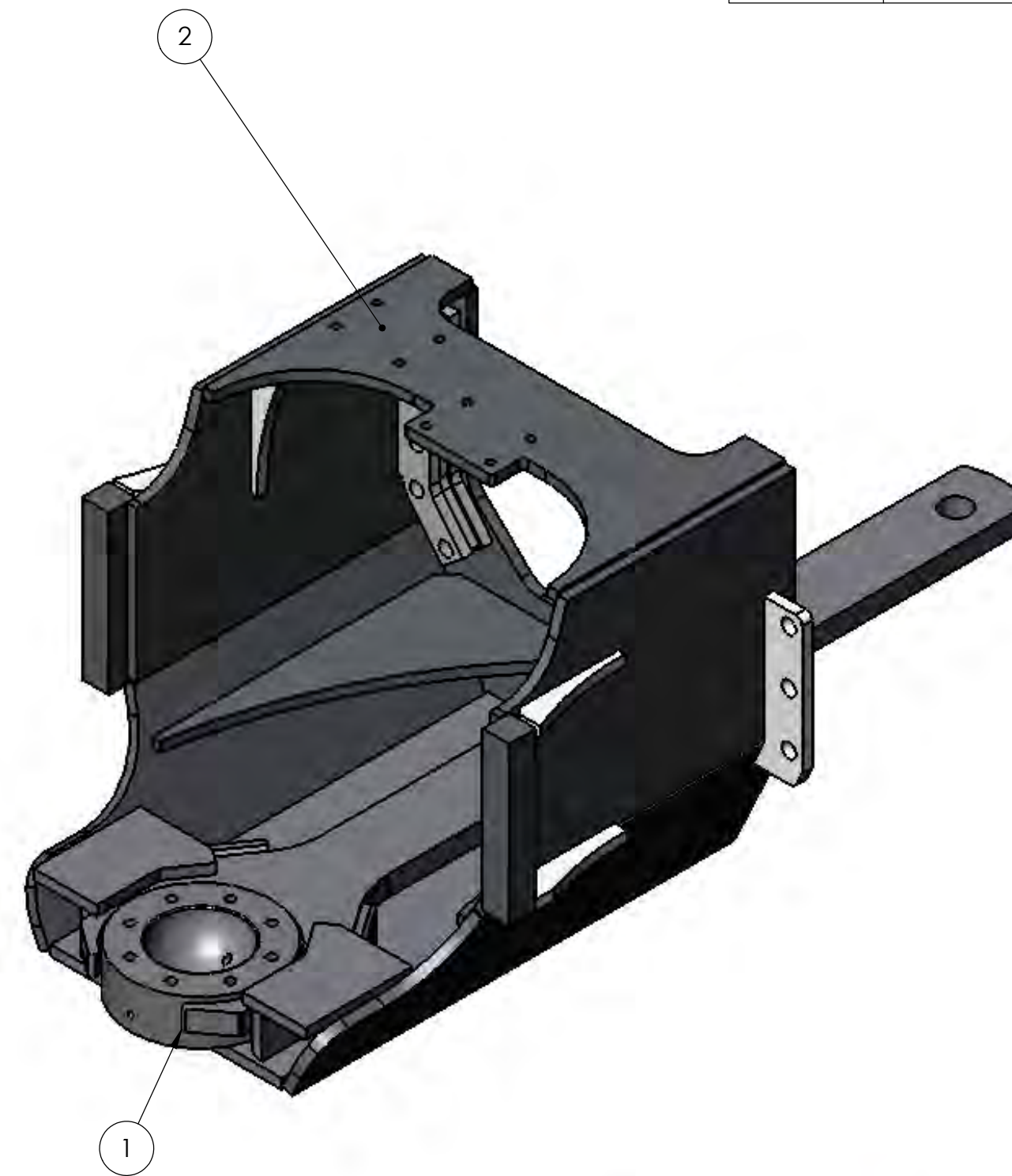
TITLE:
Cylinder Group

S/N CRDA00421 & Up

41356

PROPRIETARY AND CONFIDENTIAL
THE INFORMATION CONTAINED IN THIS
DRAWING IS THE SOLE PROPERTY OF
HUMDINGER EQUIPMENT, LTD. ANY
REPRODUCTION IN PART OR AS A WHOLE
WITHOUT THE WRITTEN PERMISSION OF
HUMDINGER EQUIPMENT, LTD. IS
PROHIBITED.

ITEM NO.	PART NUMBER	DESCRIPTION	QTY.
1	41108	DRAWBAR AS.-CHALLENGER +10	1
2	41095-B	Agco Hitch 30 Inch FOR 865B	1



 **Humdinger Equipment, Ltd.**

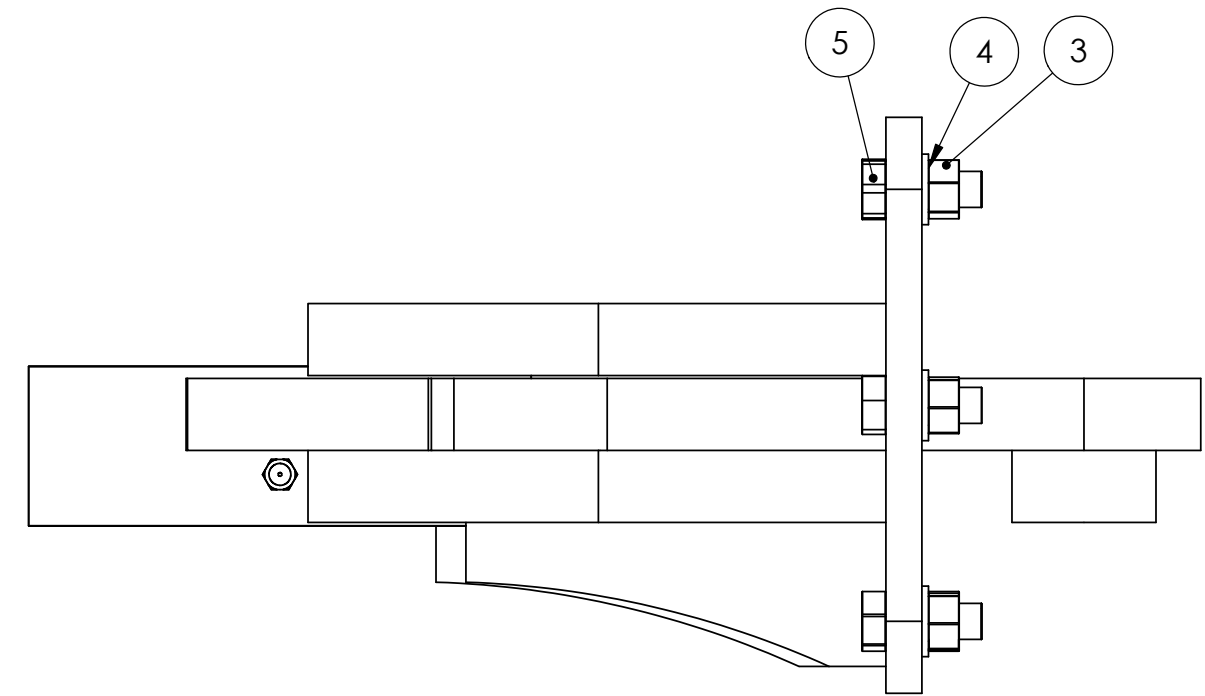
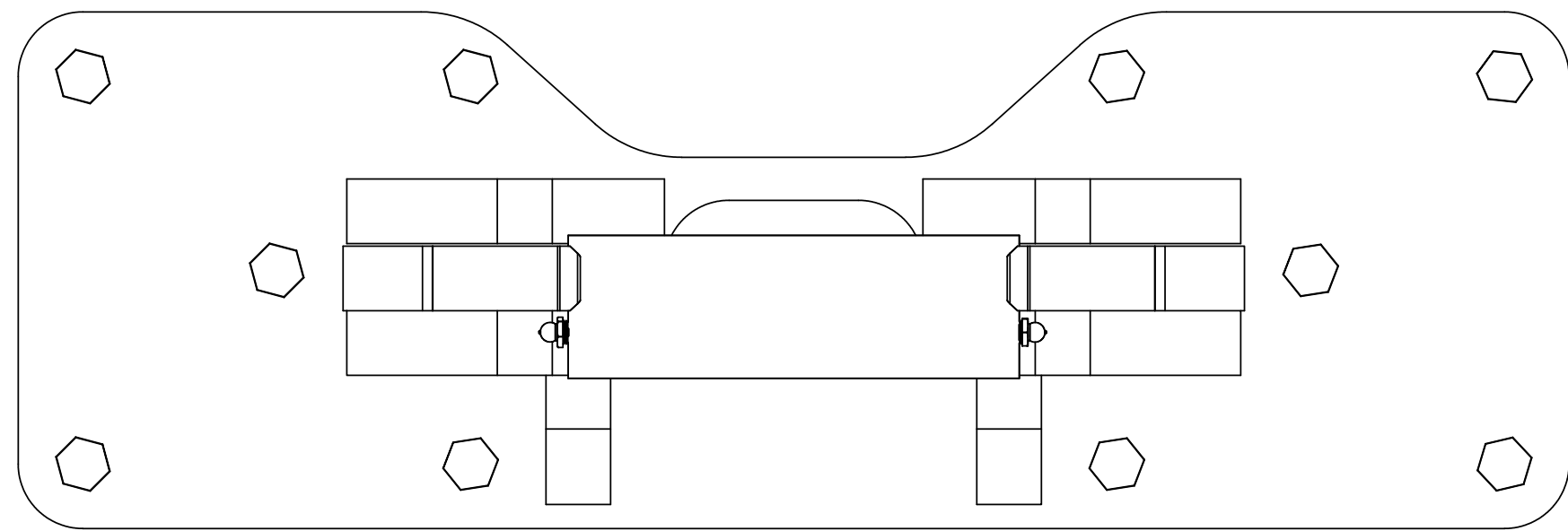
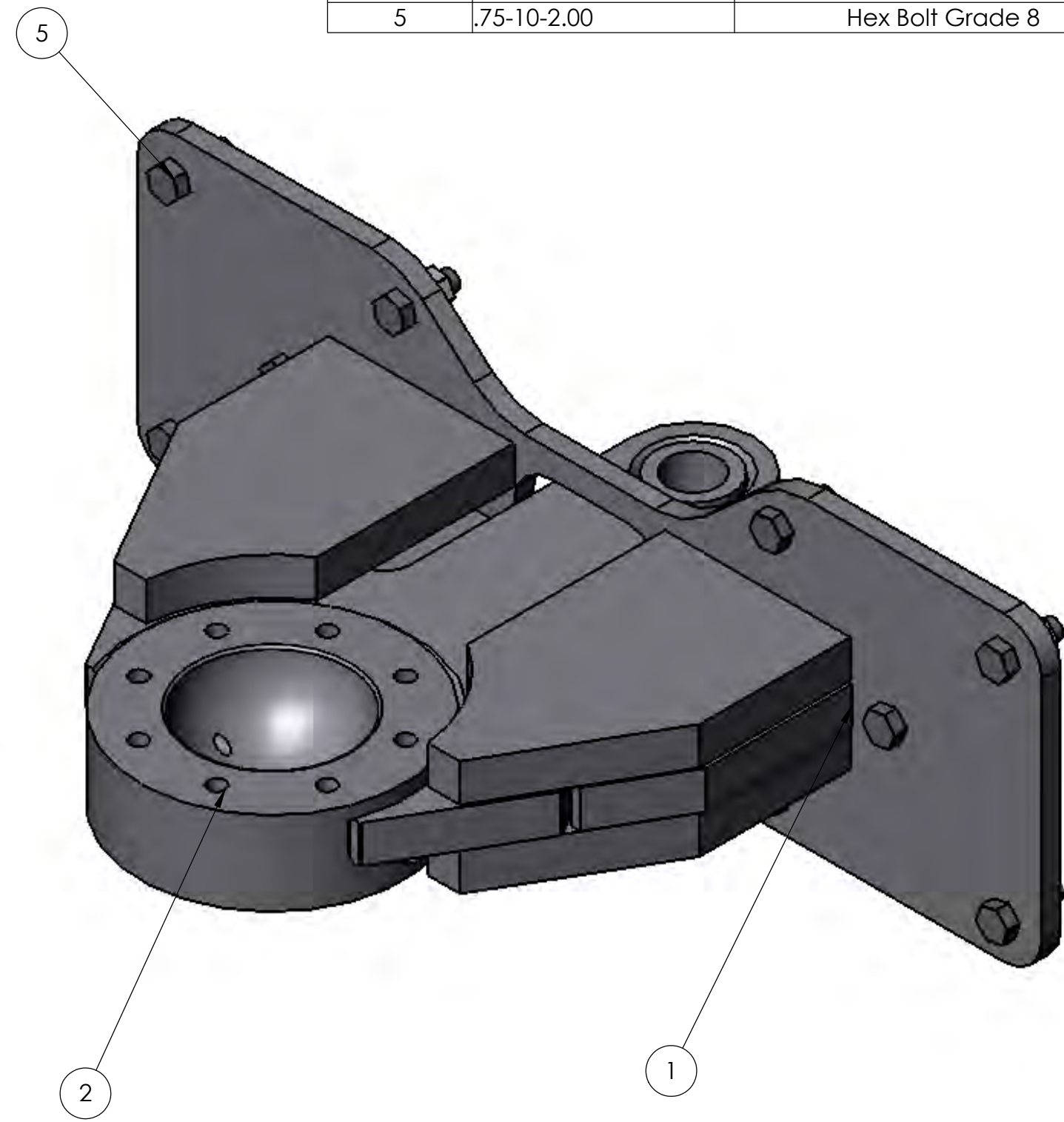
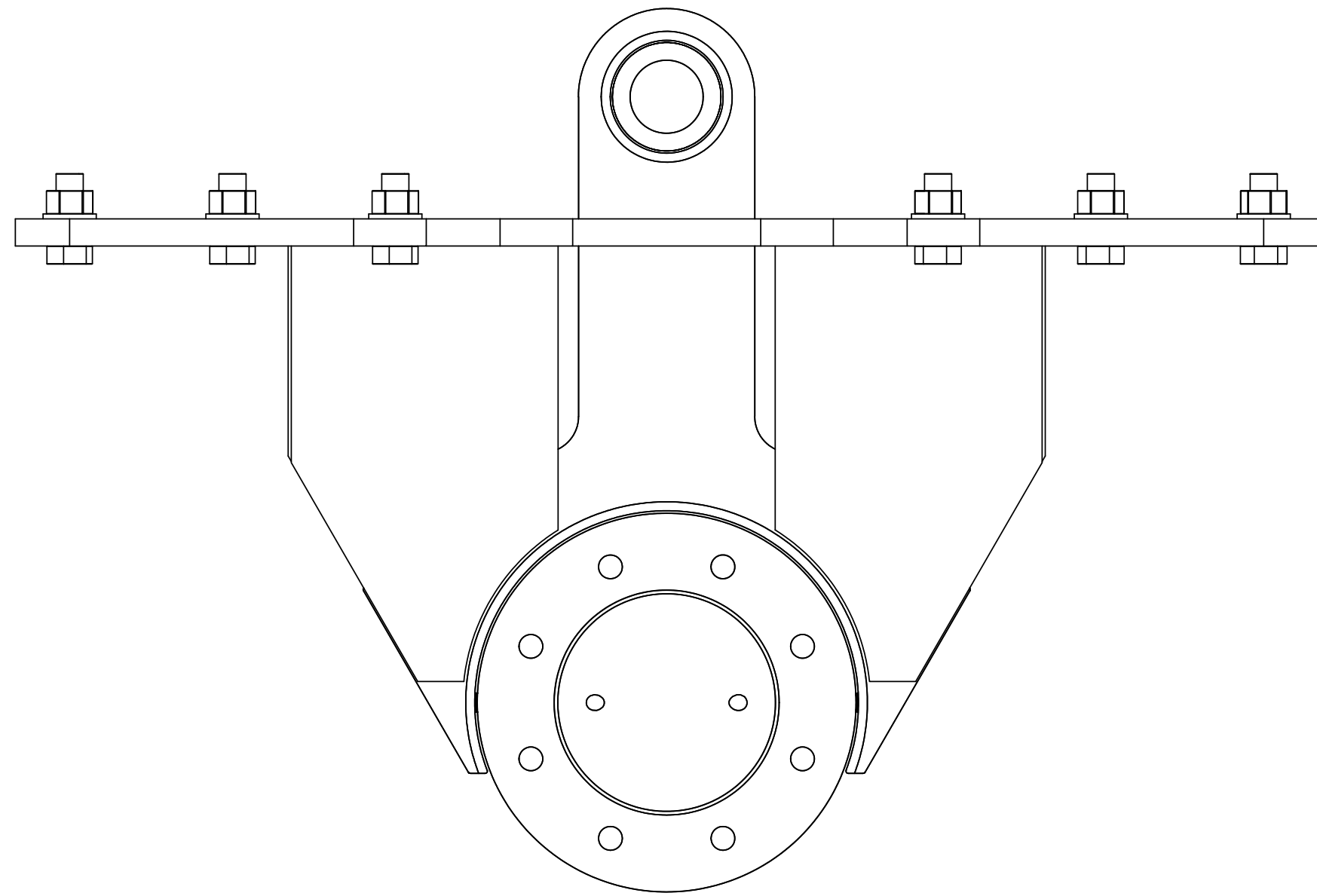
TITLE:
Agco Hitch Group

PROPRIETARY AND CONFIDENTIAL
THE INFORMATION CONTAINED IN THIS DRAWING IS THE SOLE PROPERTY OF HUMDINGER EQUIPMENT, LTD. ANY REPRODUCTION IN PART OR AS A WHOLE WITHOUT THE WRITTEN PERMISSION OF HUMDINGER EQUIPMENT, LTD. IS PROHIBITED.

S/N CRDA00421 & Up

41357 PB

ITEM NO.	PART NUMBER	DESCRIPTION	QTY.
1	40764	HITCH AS.-REAR	1
2	40766	Intermediate Lolli-Pop	1
3	.75 Nut	Nut	10
4	.75 FWN	Flat Washer Grade 8	10
5	.75-10-2.00	Hex Bolt Grade 8	10



 **Humdinger Equipment, Ltd.**

TITLE:
Rear Hitch Group

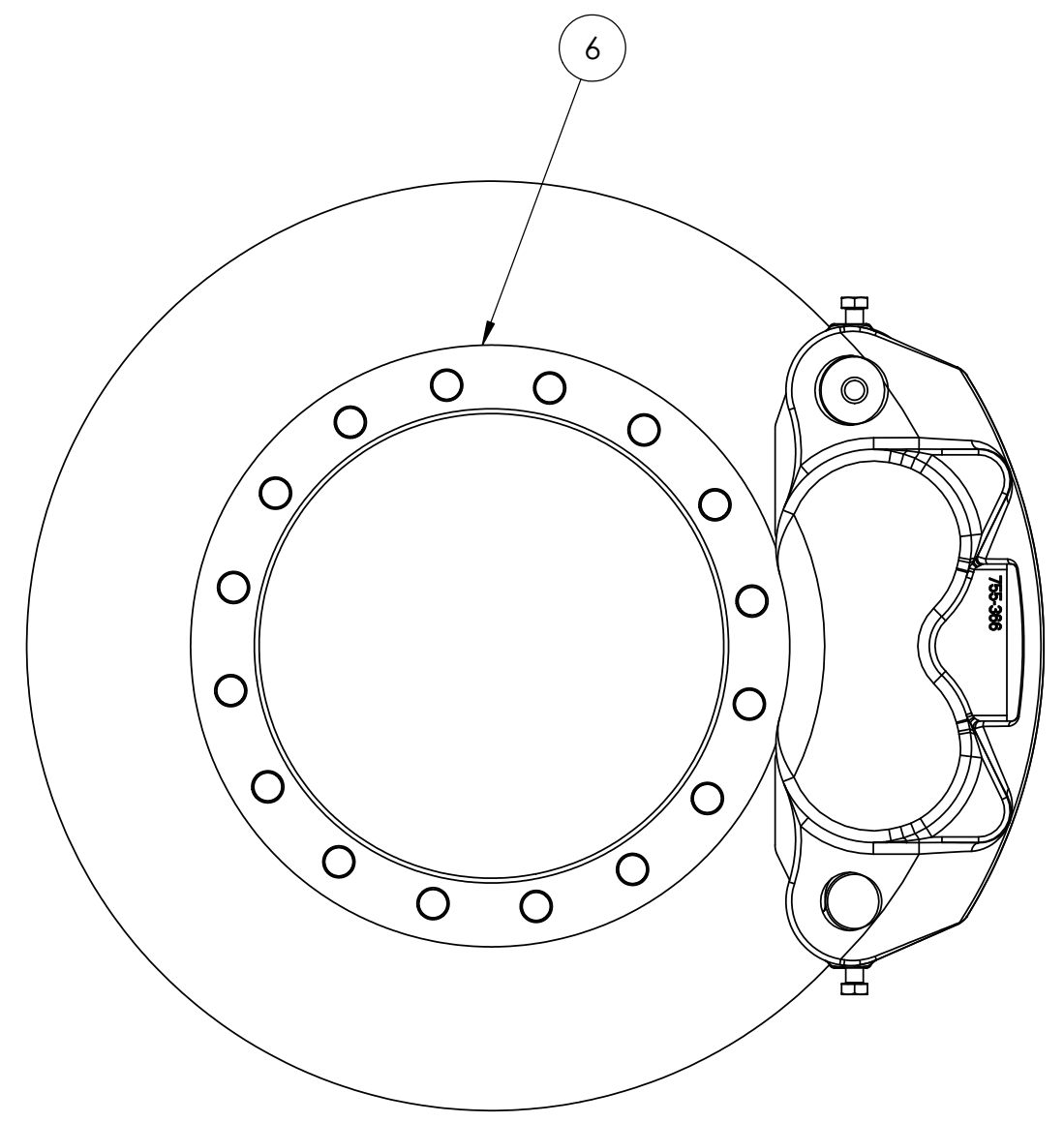
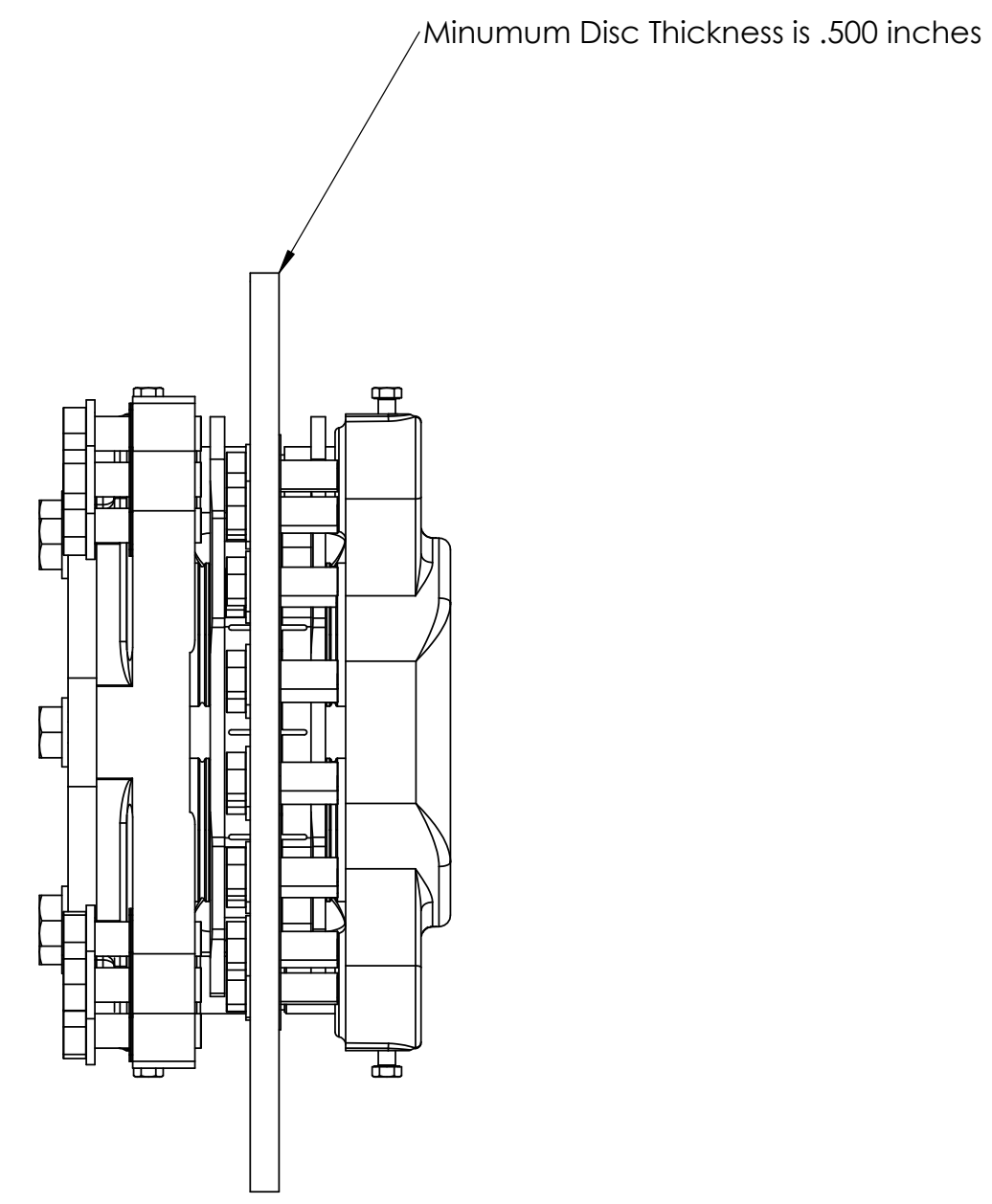
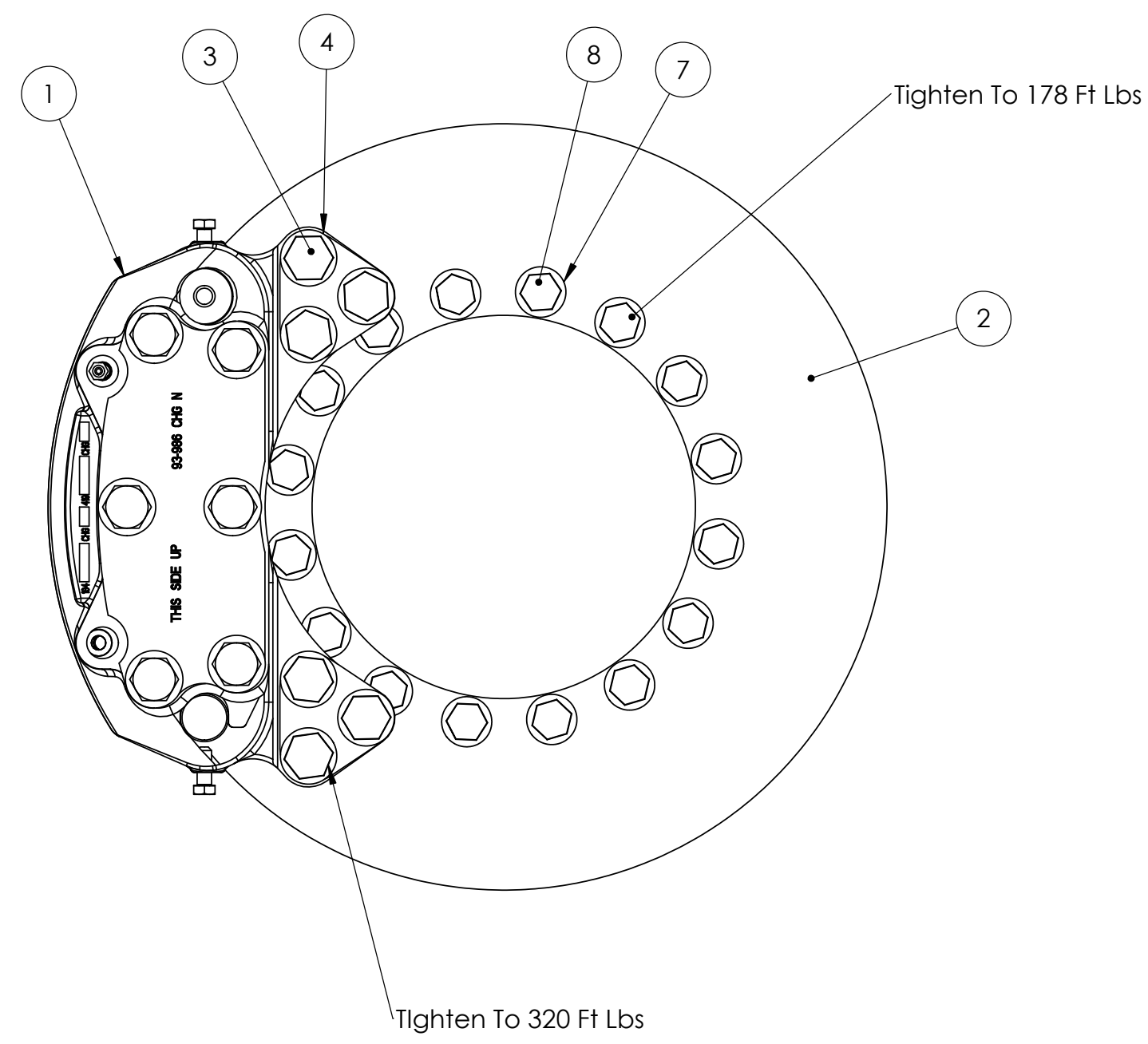
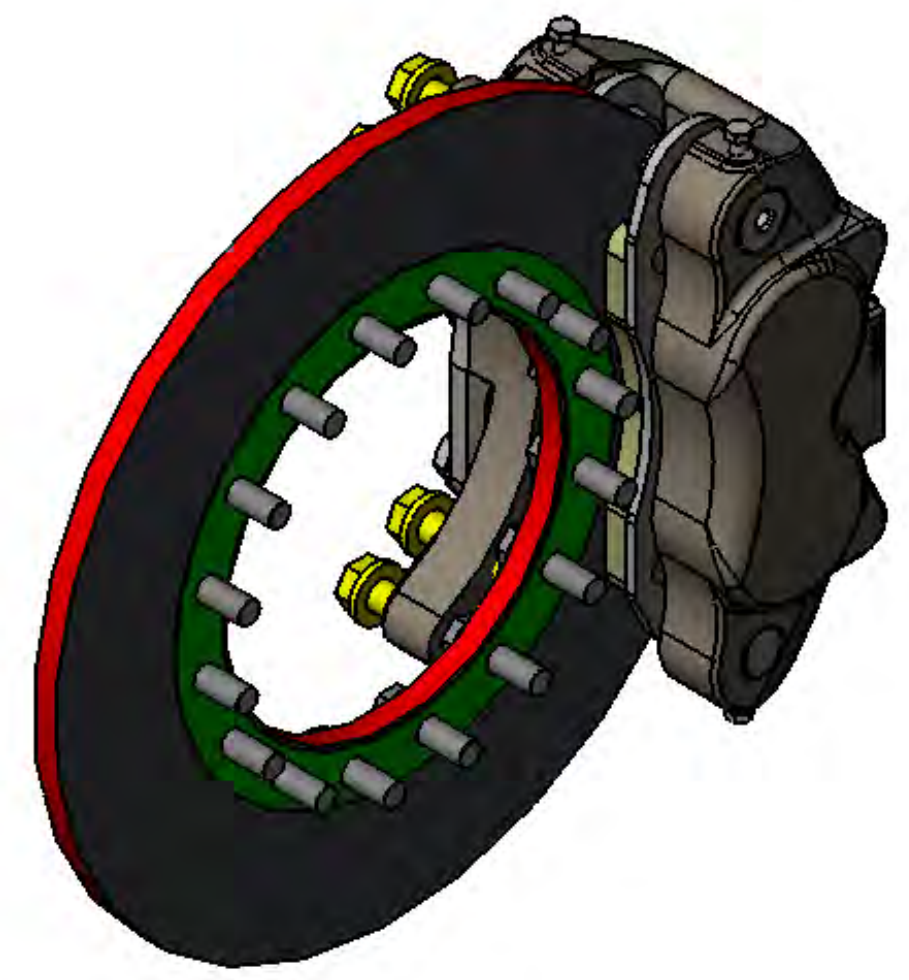
PROPRIETARY AND CONFIDENTIAL
THE INFORMATION CONTAINED IN THIS DRAWING IS THE SOLE PROPERTY OF HUMDINGER EQUIPMENT, LTD. ANY REPRODUCTION IN PART OR AS A WHOLE WITHOUT THE WRITTEN PERMISSION OF HUMDINGER EQUIPMENT, LTD. IS PROHIBITED.

S/N CRDA00421 & Up

41358

ITEM NO.	PART NUMBER	DESCRIPTION	Parts Book Configuration/QTY.
1	41439	Caliper 419-888_asm	1
2	41200	Brake Disc	1
3	.75-10-2.50	Hex Bolt Grade 8	6
4	.75 FW HD	Flat Washer Grade 8	7
5	41423	Shim-Caliper	4
6	41424	Brake Disc Shim	1
7	.625 FWN	Flat Washer Grade 8	16
8	.625-11-2.00	Hex Bolt Grade 8	16

Replacement Disc Pad Set is P/N 41440



Humdinger Equipment, Ltd.

TITLE:
Brake Group-H619

PROPRIETARY AND CONFIDENTIAL
THE INFORMATION CONTAINED IN THIS DRAWING IS THE SOLE PROPERTY OF HUMDINGER EQUIPMENT, LTD. ANY REPRODUCTION IN PART OR AS A WHOLE WITHOUT THE WRITTEN PERMISSION OF HUMDINGER EQUIPMENT, LTD. IS PROHIBITED.

S/N CRDA00493 & Up

41438