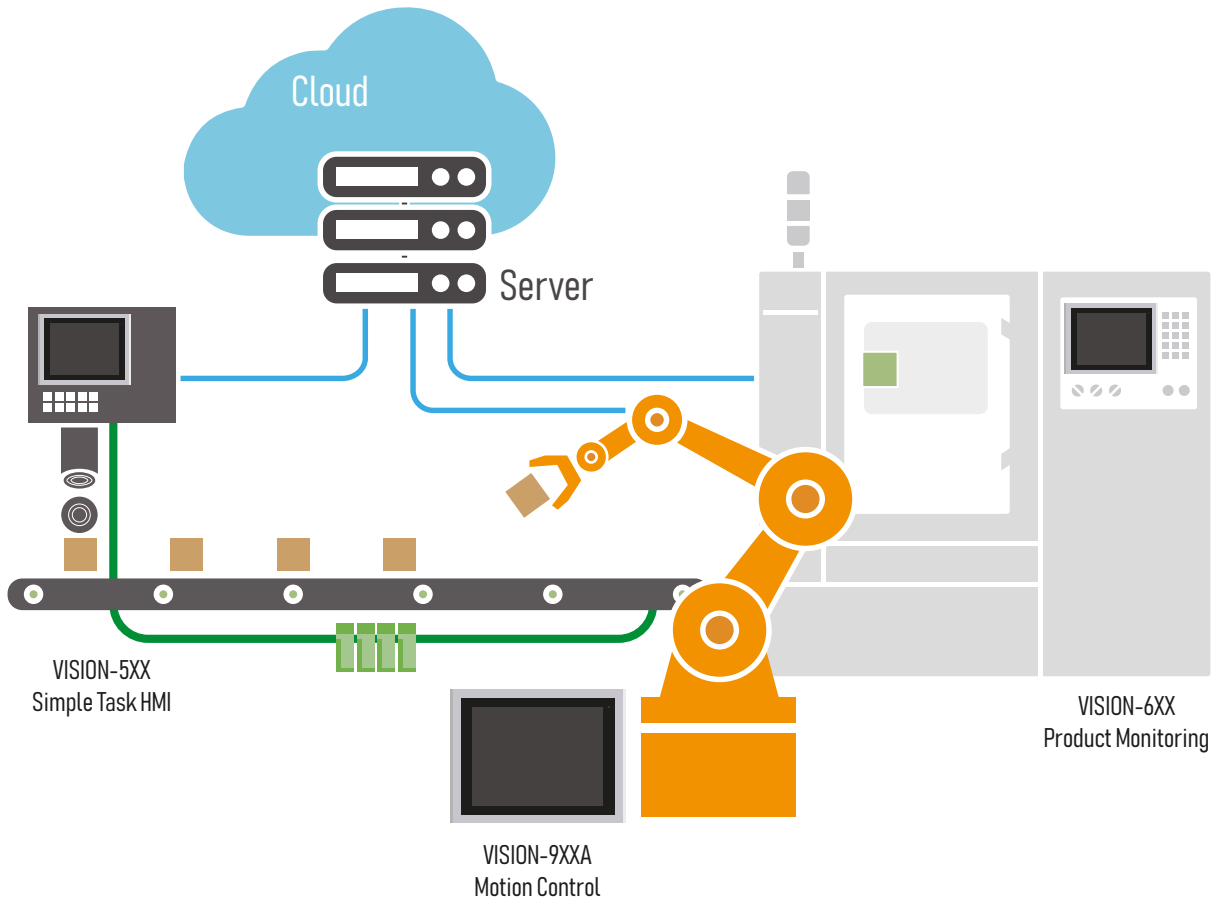




# VISION Series Rugged Control HMI



Its fanless design offers 24/7 reliability, from low power Intel Atom to latest Core i5/i3 (Skylake) CPU. The projected capacitive touch screen with pure flat, multi-touch support, anti-scratching, Wi-Fi, Dual LAN Serial and USB functionality.



Compact Size Low Power

## VISION 6XX Series

Intel® Celeron™ N2930

- Factory Automation
  - H2M / HMI
- Remote Data Collection
- Monitor AOI Status

High Performance Expandable

## VISION 9XXA Series

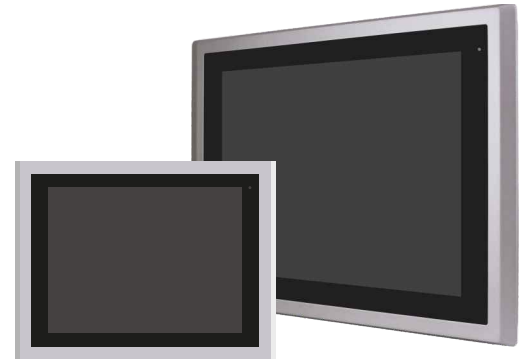
6th Gen. Intel® Core™ i5/i3





- Multi-Tasking Capable
- Ready for FHD / UHD 4K Video
  - SCADA / HMI
- IIoT Monitor Control

# VISION Series

## • Features



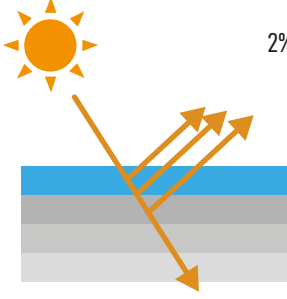
- Available from 7" to 32"
- CPU: Intel® Celeron™ N2930 & 6th Gen. Core™ i5/i3
- RAM: Onboard 4GB DDR3/DDR4 (up to 8GB) RAM
- Zero Bezel Resistive / Projected Capacitive Touch Screen
- Touch: Resistive & Capacitive Touch Optional
- Front IP66 Certified & IP69K Compliant
- Flat Bezel Design
- Supports Smart Battery Backup
- Optional Expansion I/O Board: TB-528




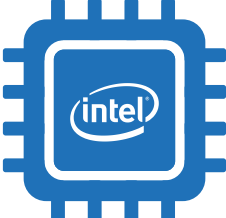
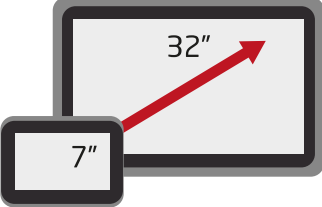
<p>Flat Front Panel Design</p>  <p>Meets IP66 Standard</p>	<p>Aluminum Die-Casting Chassis</p>  <p>Fanless Design</p>	<p>Easily Accessible Storage Design</p> 	<p>Wide Range</p>  <p>DC 936V Power Input</p>
---	--	---	---

## • Sunlight Readable HMI

VISION-6XX / VISION 9XXA: Ideal for High Ambient Light Applications

<p>Auto Dimming</p>  <p>Auto Dimming for Option Automatically Adjust LCD Brightness</p>	<p>High Brightness</p>  <p>Normal      1,000 nits High Brightness</p>	<p>Optical Bonding &amp; AR Coating</p>  <p>2% Total Reflection</p> <p>AR Coating Touch Screen Optical Bonding TFT LCD</p> <p>LCD Optical Bonding and Anti-Reflection Coating for Option</p>
--	---	---

\*Optical bonding is also recommended in large Temp. difference environment

 <p>16:9 Wide screen &amp; Multi-touch Capacitive / Resistive Touch Optional</p>	 <p>From Intel® Celeron™ to the latest Skylake Core™ i CPU</p>	 <p>Available LCD Sizes from 7" ~ 32"</p>
---	---	--

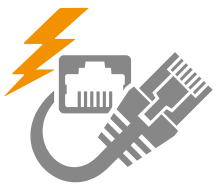
## Optional Power over Ethernet Module

### • Single Cable for Data and Power Transmission

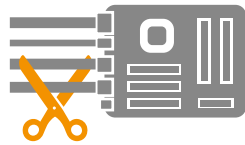


With PoE technology, it allows the unit to transmit power and data directly through Ethernet cable. This technology simplifies the installation process and provides centralized power management as a maintenance-free solution.

### • The Benefit of PoE



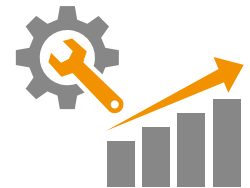
Useful for Powering Remote Devices



Reduce Cable Wiring



Time and Cost Savings

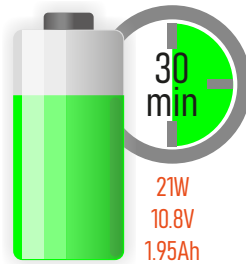


Easy to maintain and Upgrade

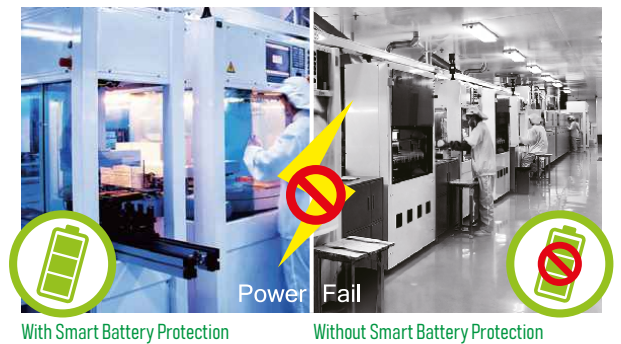
## VISION Series with smart battery

### • Work as UPS to Save Your Data

An optional smart battery is available to VISION-6XX(P)H series, which provides up to 30 minutes of emergency backup power source for unexpected power interruption.



\*NOTE: The backup time varies on different models or operating Temp.



## Selection Guide

Model	VISION-610(P)H	VISION-612(P)H	VISION-615(P)H	VISION-616(P)H	VISION-617(P)H	VISION-618(P)H	VISION-619(P)H	VISION-621(P)H
Display	10.1" TFT-LCD	12.1" TFT-LCD	15" TFT-LCD	15.6" TFT-LCD	17" TFT-LCD	18.5" TFT-LCD	19" TFT-LCD	21.5" TFT-LCD
Battery	●	●	●	●	●	●	●	●
PoE	●	●	●	●				

Model	VISION-912A(P)H	VISION-915A(P)H	VISION-916A(P)H	VISION-917A(P)H	VISION-918A(P)H	VISION-919A(P)H	VISION-921A(P)H
Display	12.1" TFT-LCD	15" TFT-LCD	15.6" TFT-LCD	17" TFT-LCD	18.5" TFT-LCD	19" TFT-LCD	21.5" TFT-LCD
Battery	●	●	●	●	●	●	●

\*NOTE: The Smart Battery and PoE function can't use simultaneously

## Legenda



## Specifics

- P** **R** Projected Capacitive/Resistive
- H** Max. Luminance series
- E** **N** Intel® Baytrail™ E3845 / Celeron™ N2930

## Legenda



## Specifics

- A** 6th Gen. Intel® Core™ i3/i5
- P** **R** **G** Projected Capacitive/Resistive/Glass
- F** Full HD (1920x1080)



# 6XX

VISION 6XX Series



## VISION-6XX Series

Fanless Industrial Compact Size - High Brightness HMI

Innovating Fast, Baytrail Solution

- Intel® Baytrail™ E3845/N2930 Processor
- Onboard DDR3L 4/8GB
- Flat Front Panel Design Meets IP66
- Aluminum Die-Casting Chassis
- Easily Accessible Storage Design





Model Name	VISION-607		VISION-608		VISION-610		VISION-612	
<b>System</b>								
Processor	Intel® Atom™ E3845 Processor (2M Cache, 1.91 GHz) / Intel® Celeron™ N2930 Processor (2M Cache, 1.83 GHz)							
System Chipset	SoC							
System Memory	Onboard DDR3L SDRAM 4/8GB (optional)							
<b>External I/O</b>								
USB	2 x USB 3.0 type A							
Serial/Parallel	1x RS-232/422/485 DB9(COM1), default RS-232; 1x RS-232 DB9(COM2)							
LAN	2x GbE RJ-45							
Audio	1x Line-out							
Power connector	1x 3-pin terminal block connector; x2-pin Power Switch connector							
<b>Storage Space</b>								
HDD	1x 2.5" SATA2 HDD space							
Movable device	1x SD slot							
<b>Expansion</b>								
Onboard expansion bus	1x mini-PCIe slot(full size)							
<b>Display</b>								
Display type	7" TFT-LCD		8" TFT-LCD		10.1" TFT-LCD		12.1" TFT-LCD	
Max. resolution	800 x 480		800 x 600		1280 x 800		800 x 600	1024 x 768
Max. color	262K		16.2M		16.2M	16.7M	16.2M	
Luminance(cd/m <sup>2</sup> )	350	1000	350	1000	350	1000	1000	1200
View angle(H°/V°)	140/110	140/130	140/125		170/170		140/160	170/170
Backlight lifetime(hrs)	40000	50000	40000		30000		50000	70000
<b>Touch Screen</b>								
Type	Resistive (for R model); Projected Capacitive (for P model)							
Interface	USB							
Light transmission(%)	Resistive: 80% / Projected Capacitive: 90%							
<b>Power</b>								
Power input	DC 9 ~ 36V							
Power Consumption (TYP.)	14W		14.5W		14W		15.2W	
<b>Mechanical</b>								
Construction	Aluminum die-casting Chassis							
IP rating	IP66 Compliant Front Bezel							
Mounting	Panel Mount / VESA 75x75				Panel Mount / VESA 100x100			
Dimension (mm)	202 x 149 x 39		231 x 176 x 50		285 x 189 x 48.9		319 x 245 x 51.7	
Net weight (Kg)	1.2		1.9		2.0		2.9	
<b>Environment</b>								
Operating temperature (°C)	0 ~ 50							
Storage temperature (°C)	-20 ~ 60							
Storage humidity	10 to 90% @ 40°C, non- condensing							
Certification	CE/FCC Class A, CB, UL							
<b>Operating System Support</b>								
Windows® 7 WEC 7 Windows® 8.1 Windows® 10								



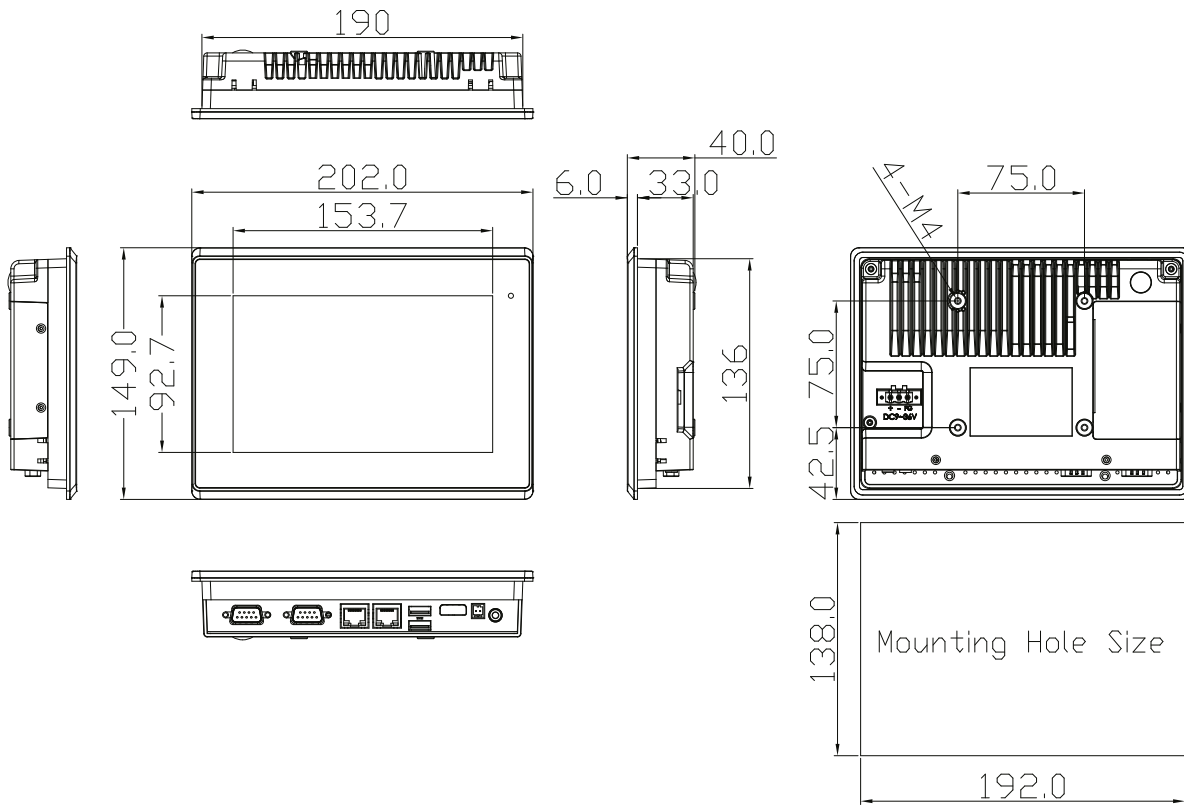


Model Name	VISION-615		VISION-616		VISION-617	
<b>System</b>						
Processor	Intel® Atom™ E3845 Processor (2M Cache, 1.91 GHz) / Intel® Celeron™ N2930 Processor (2M Cache, 1.83 GHz)					
System Chipset	SoC					
System Memory	Onboard DDR3L SDRAM 4/8GB (optional)					
<b>External I/O</b>						
USB	2 x USB 3.0 type A					
Serial/Parallel	1x RS-232/422/485 DB9(COM1), default RS-232; 1x RS-232 DB9(COM2)					
LAN	2x GbE RJ-45					
Audio	1x Line-out					
Power connector	1x 3-pin terminal block connector; x2-pin Power Switch connector					
<b>Storage Space</b>						
HDD	1x 2.5" SATA2 HDD space					
Movable device	1x SD slot					
<b>Expansion</b>						
Onboard expansion bus	1 x mini-PCIe slot(full size)					
<b>Display</b>						
Display type	15" TFT-LCD		15.6" TFT-LCD		17" TFT-LCD	
Max. resolution	1024 x 768		1366 x 768		1280 x 1024	
Max. color	262K	16.2M	16.7M		16.2M	16.7M
Luminance(cd/m <sup>2</sup> )	450	1000	300	1000	350	1000
View angle(H°/V°)	160/140	160/145	160/160		160/170	170/160
Backlight lifetime(hrs)	30000	50000	50000		30000	50000
<b>Touch Screen</b>						
Type	Resistive (for R model); Projected Capacitive (for P model)					
Interface	USB					
Light transmission(%)	Resistive: 80% / Projected Capacitive: 90%					
<b>Power</b>						
Power input	DC 9 ~ 36V					
Power Consumption (TYP.)	18W		20.3W		25W	
<b>Mechanical</b>						
Construction	Aluminum die-casting Chassis					
IP rating	IP66 Compliant Front Bezel					
Mounting	Panel Mount / VESA 100x100					
Dimension (mm)	410 x 310 x 54.7		412 x 277.5 x 60.4		439 x 348 x 64.8	
Net weight (Kg)	4.4		4.8		5.1	
<b>Environment</b>						
Operating temperature (°C)	0 ~ 50					
Storage temperature (°C)	-20 ~ 60					
Storage humidity	10 to 90% @ 40°C, non- condensing					
Certification	CE/FCC Class A, CB, UL					
<b>Operating System Support</b>						
Windows® 7 WEC 7 Windows® 8.1 Windows® 10						

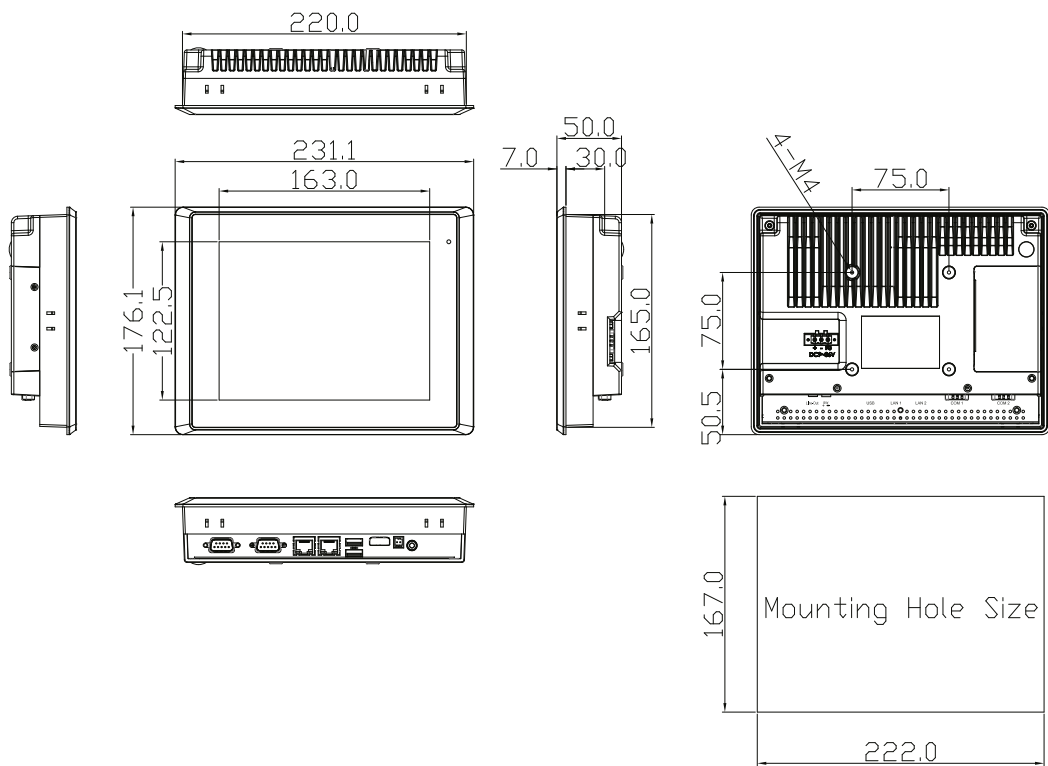


Model Name	VISION-618		VISION-619		VISION-621	
<b>System</b>						
Processor	Intel® Atom™ E3845 Processor (2M Cache, 1.91 GHz) / Intel® Celeron™ N2930 Processor (2M Cache, 1.83 GHz)					
System Chipset	SoC					
System Memory	Onboard DDR3L SDRAM 4/8GB (optional)					
<b>External I/O</b>						
USB	2 x USB 3.0 type A					
Serial/Parallel	1x RS-232/422/485 DB9(COM1), default RS-232; 1x RS-232 DB9(COM2)					
LAN	2x GbE RJ-45					
Audio	1x Line-out					
Power connector	1x 3-pin terminal block connector; x2-pin Power Switch connector					
<b>Storage Space</b>						
HDD	1x 2.5" SATA2 HDD space					
Movable device	1x SD slot					
<b>Expansion</b>						
Onboard expansion bus	1x mini-PCIe slot(full size)					
<b>Display</b>						
Display type	18.5" TFT-LCD		19" TFT-LCD		21.5" TFT-LCD	
Max. resolution	1366 x 768		1280 x 1024		1920 x 1080	
Max. color	16.7M		16.7M		16.7M	
Luminance(cd/m <sup>2</sup> )	300	1000	250	800	300	1000
View angle(H°/V°)	170/160		178/178	170/160		178/178
Backlight lifetime(hrs)	50000		30000	50000		30000
<b>Touch Screen</b>						
Type	Resistive (for R model); Projected Capacitive (for P model)					
Interface	USB					
Light transmission(%)	Resistive: 80% / Projected Capacitive: 90%					
<b>Power</b>						
Power input	DC 9 ~ 36V					
Power Consumption (TYP.)	30W				26.7W	
<b>Mechanical</b>						
Construction	Aluminum die-casting Chassis					
IP rating	IP66 Compliant Front Bezel					
Mounting	Panel Mount / VESA 100x100					
Dimension (mm)	499.6 x 314.6 x 72		468 x 380 x 64.8		557 x 362 x 64.8	
Net weight (Kg)	5.9				7.9	
<b>Environment</b>						
Operating temperature (°C)	0 ~ 50					
Storage temperature (°C)	-20 ~ 60					
Storage humidity	10 to 90% @ 40°C, non- condensing					
Certification	CE/FCC Class A, CB, UL					
<b>Operating System Support</b>						
Windows® 7 WE7 Windows® 8.1 Windows® 10						

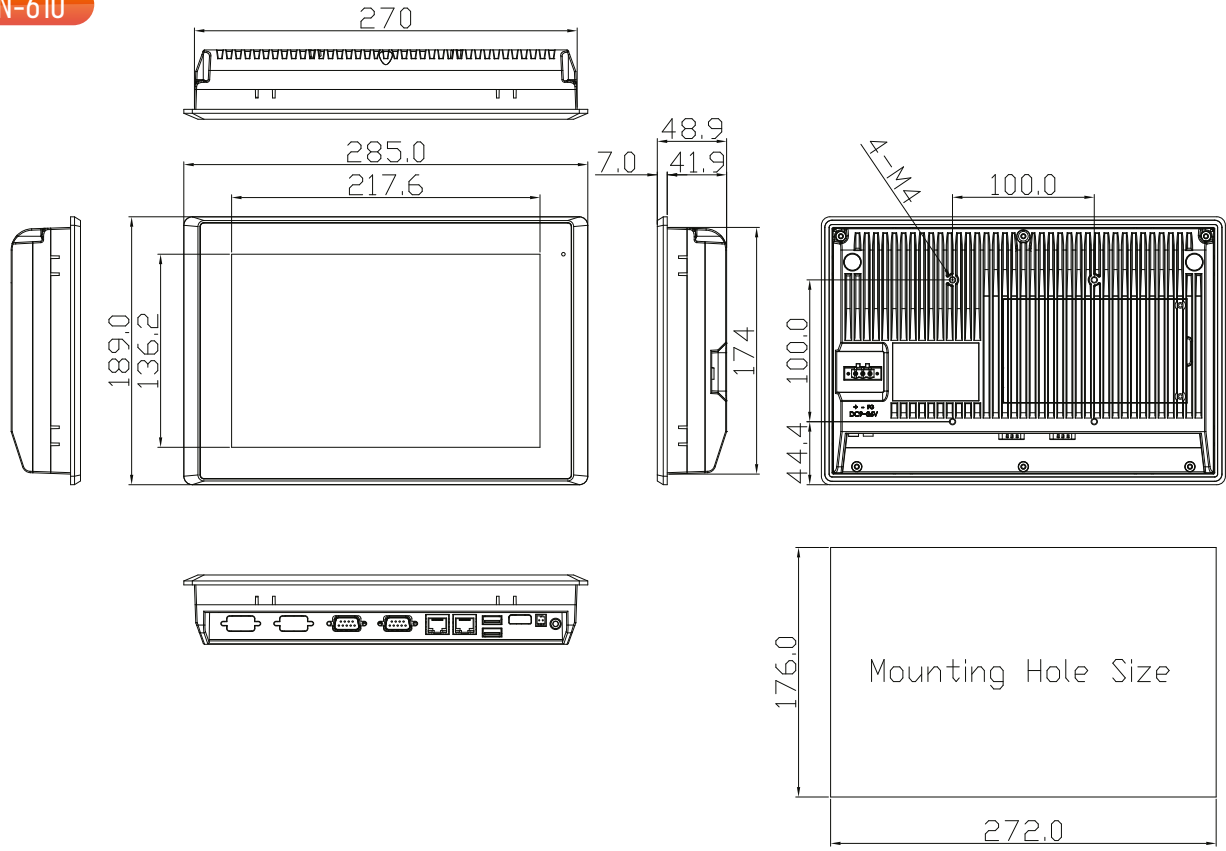
VISION-607



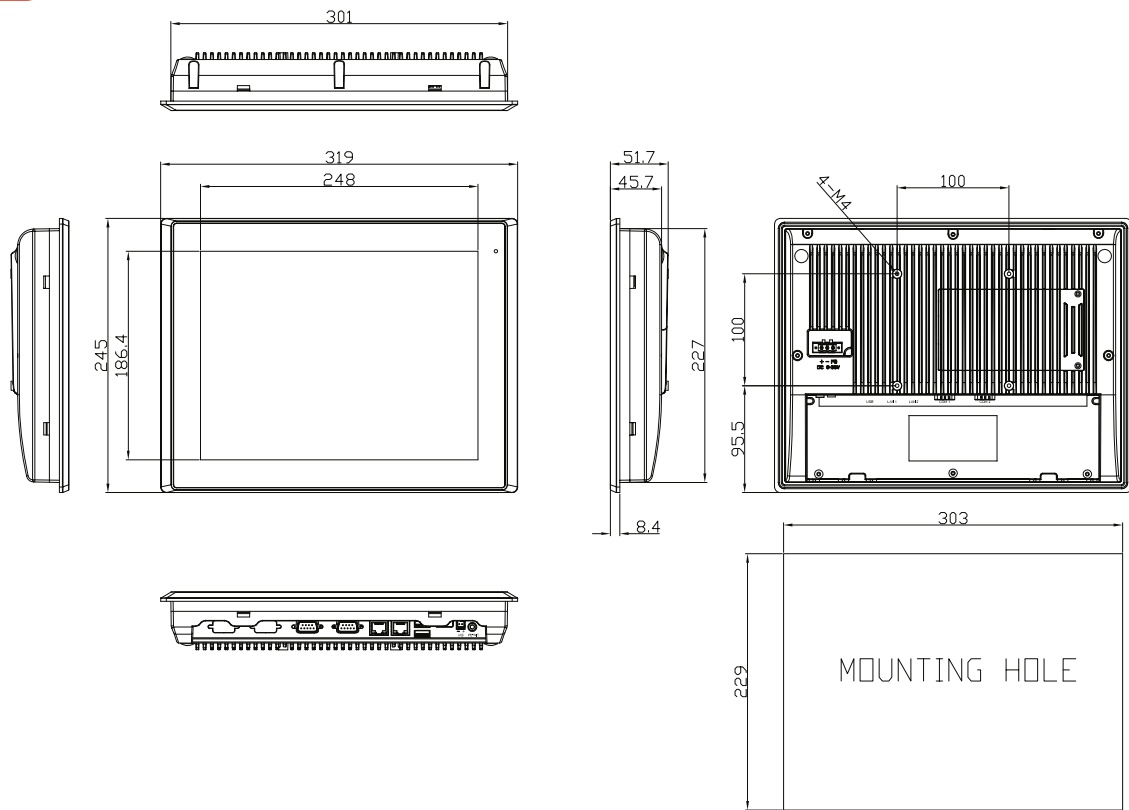
VISION-608



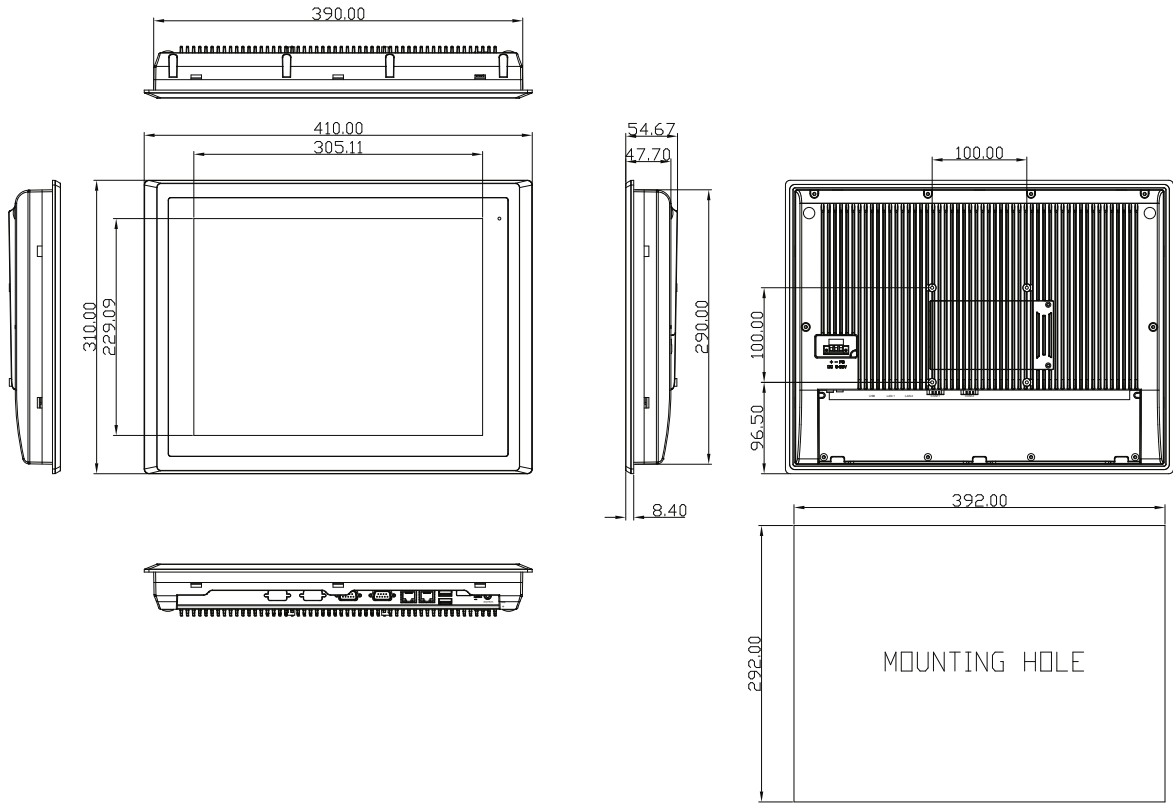
VISION-610



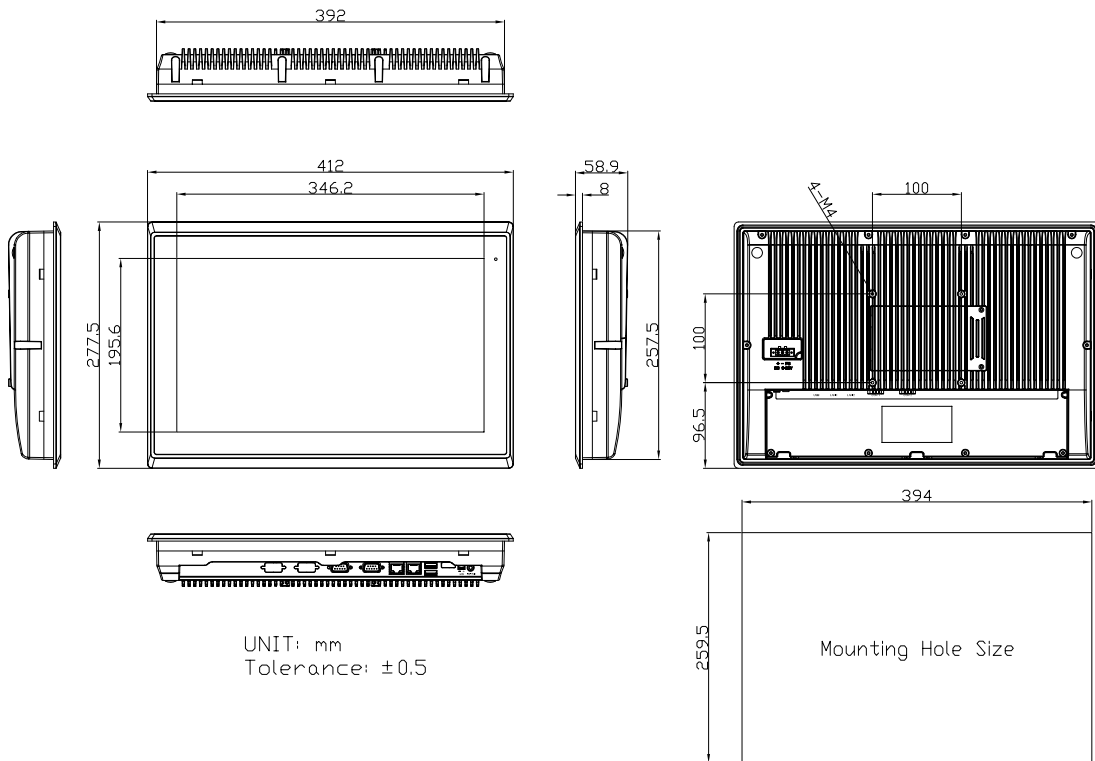
VISION-612



VISION-615

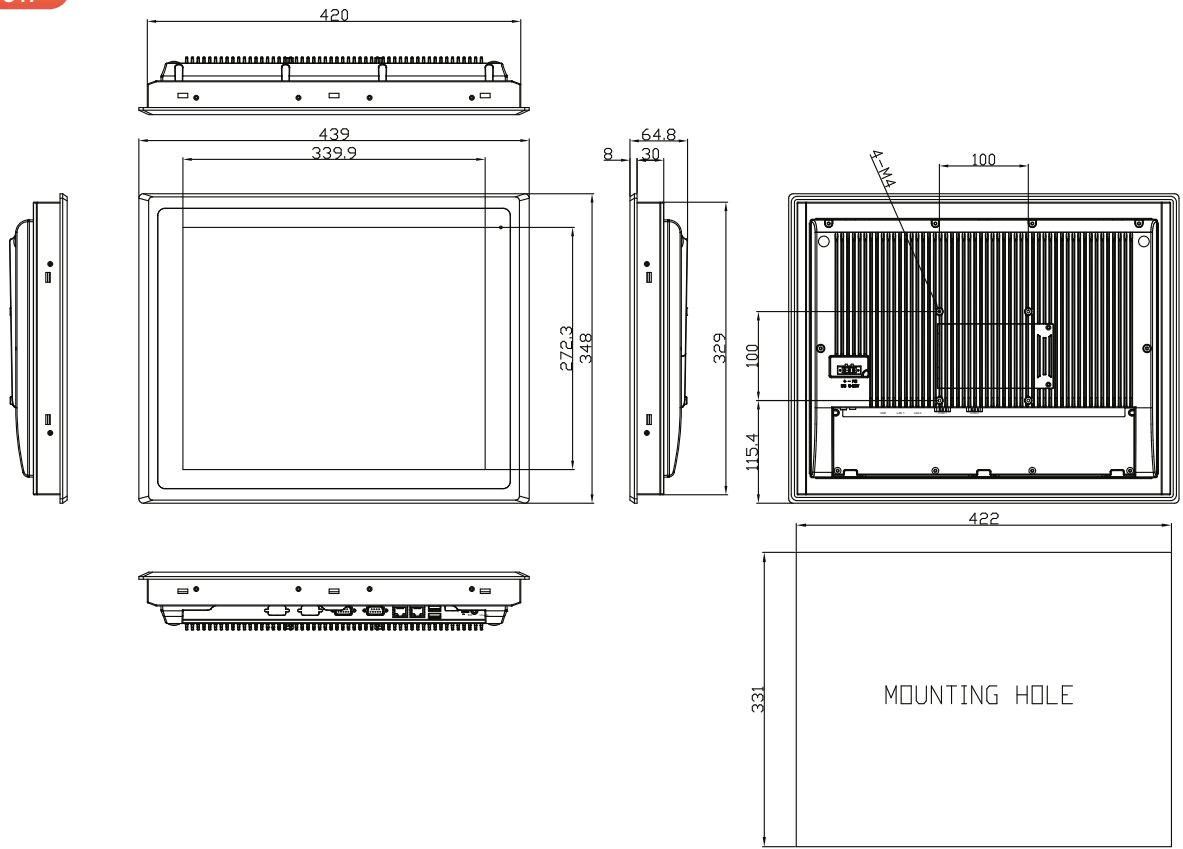


VISION-616

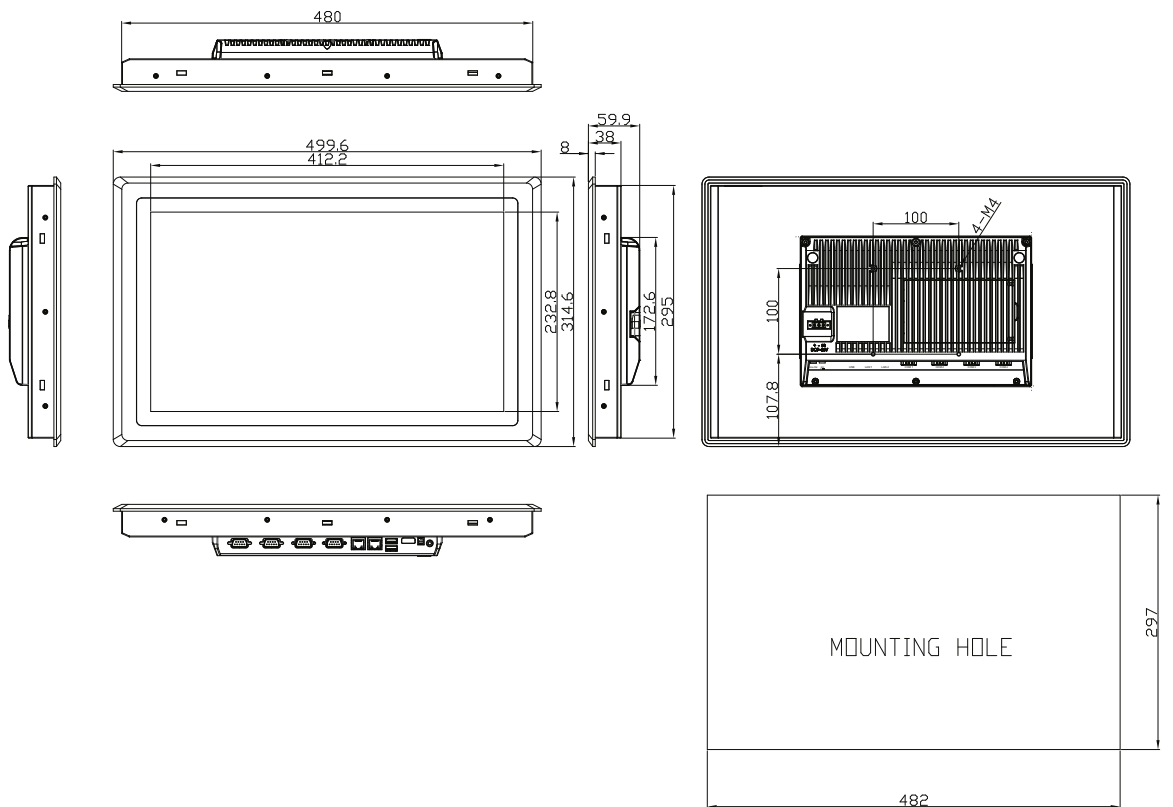


UNIT: mm  
Tolerance: ±0.5

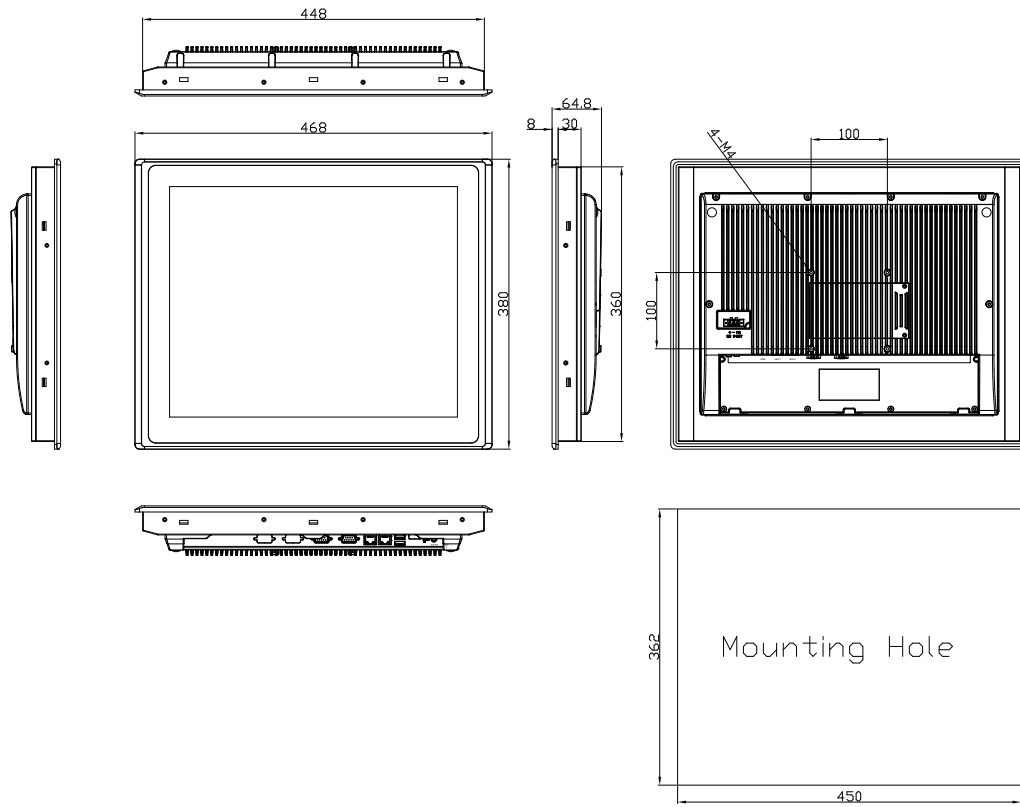
VISION-617



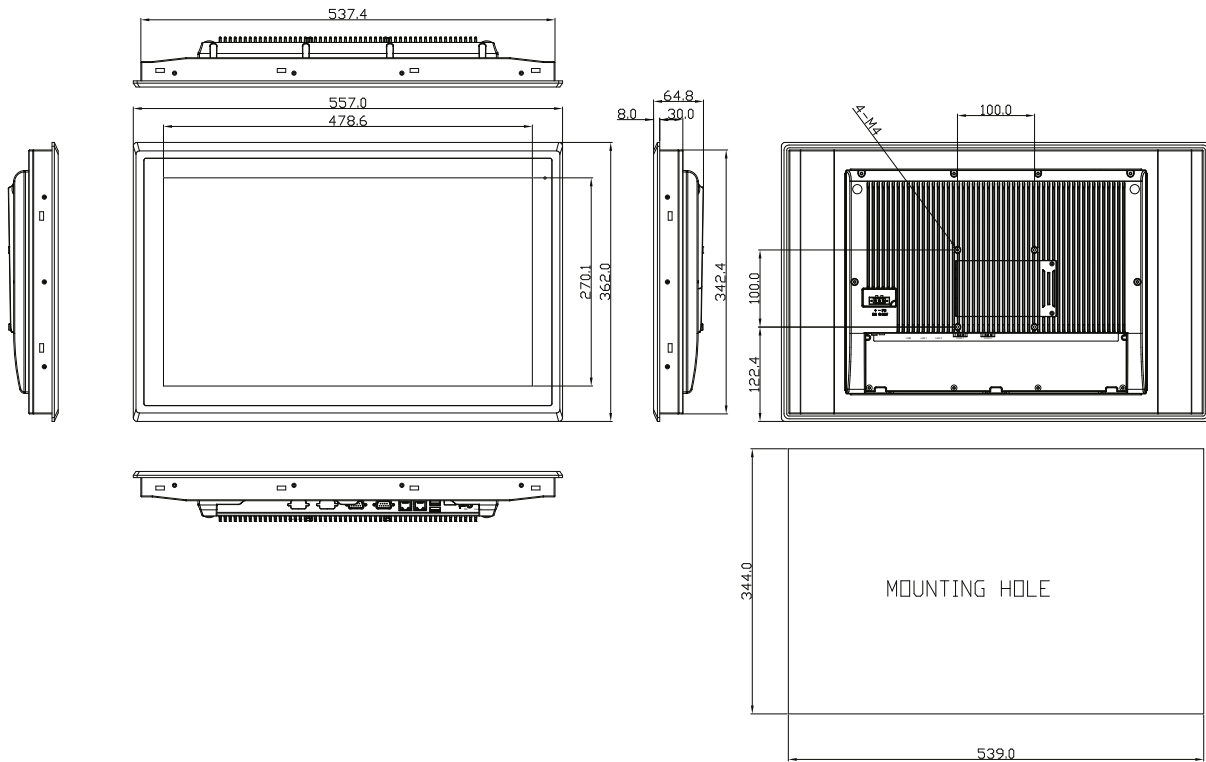
VISION-618



VISION-619



VISION-621





# 9XXA



## VISION-9XXA Series

Performance Grade HMI

Intel® Skylake™ Platform Fanless HMI

- 6th Gen. Intel® Core™ i5-6300U/i3-6100U
- Single Channel DDR4 SO-DIMM 16GB
- Flat Front Panel Design Meets IP66
- Aluminum Die-Casting Chassis
- Easily Accessible Storage Design





Model Name	VISION-912A		VISION-915A		VISION-916A	
<b>System</b>						
Processor	Onboard 6th Gen. Intel® Core™ i3-6100U Processor (3M Cache, 2.30 GHz) / Intel® Core™ i5-6300U Processor (3M Cache, 2.30 GHz)					
System Chipset	SoC					
System Memory	1x 260-pin SO-DIMM up to 16GB DDR4 2133MHz					
<b>External I/O</b>						
USB	2 x USB 3.0 type A					
Serial/Parallel	1x RS-232/422/485 DB9(COM1), default RS-232; 1x RS-232 DB9(COM2)					
LAN	2x GbE RJ-45					
Audio	1x Line-out					
Power connector	1x 3-pin terminal block connector; x2-pin Power Switch connector					
<b>Storage Space</b>						
HDD	1x 2.5" SATA3 HDD space					
Movable device	None					
<b>Expansion</b>						
Onboard expansion bus	1 x mini-PCIe slot(full size)					
<b>Display</b>						
Display type	12.1" TFT-LCD		15" TFT-LCD		15.6" TFT-LCD	
Max. resolution	800 x 600	1024 x 768	1024 x 768		1366 x 768	
Max. color	16.2M		262K		16.7M	
Luminance(cd/m <sup>2</sup> )	450	500	420		300	
View angle(H°/V°)	160/150	160/140	160/160		160/160	
Backlight lifetime(hrs)	50000	30000	30000		50000	
<b>Touch Screen</b>						
Type	Resistive (for AR model); Projected Capacitive (for AP model); Glass (for AG model)					
Interface	USB					
Light transmission(%)	Resistive: 80% / Projected Capacitive: 90%					
<b>Power</b>						
Power input	DC 9 ~ 36V					
Power Consumption (TYP.)	44W		42W		52W	
<b>Mechanical</b>						
Construction	Aluminum die-casting Chassis					
IP rating	IP66 Compliant Front Bezel					
Mounting	Panel Mount / VESA 100x100					
Dimension (mm)	319 x 245 x 51.7		410 x 310 x 54.7		412 x 277.5 x 58.9	
Net weight (Kg)	2.6		4.4		4.5	
<b>Environment</b>						
Operating temperature (°C)	0 ~ 50					
Storage temperature (°C)	-20 ~ 60					
Storage humidity	10 to 90% @ 40°C, non- condensing					
Certification	CE/FCC Class A					
<b>Operating System Support</b>						
Windows® 7 64bit Windows® 8.1 64bit Windows® 10 64bit						

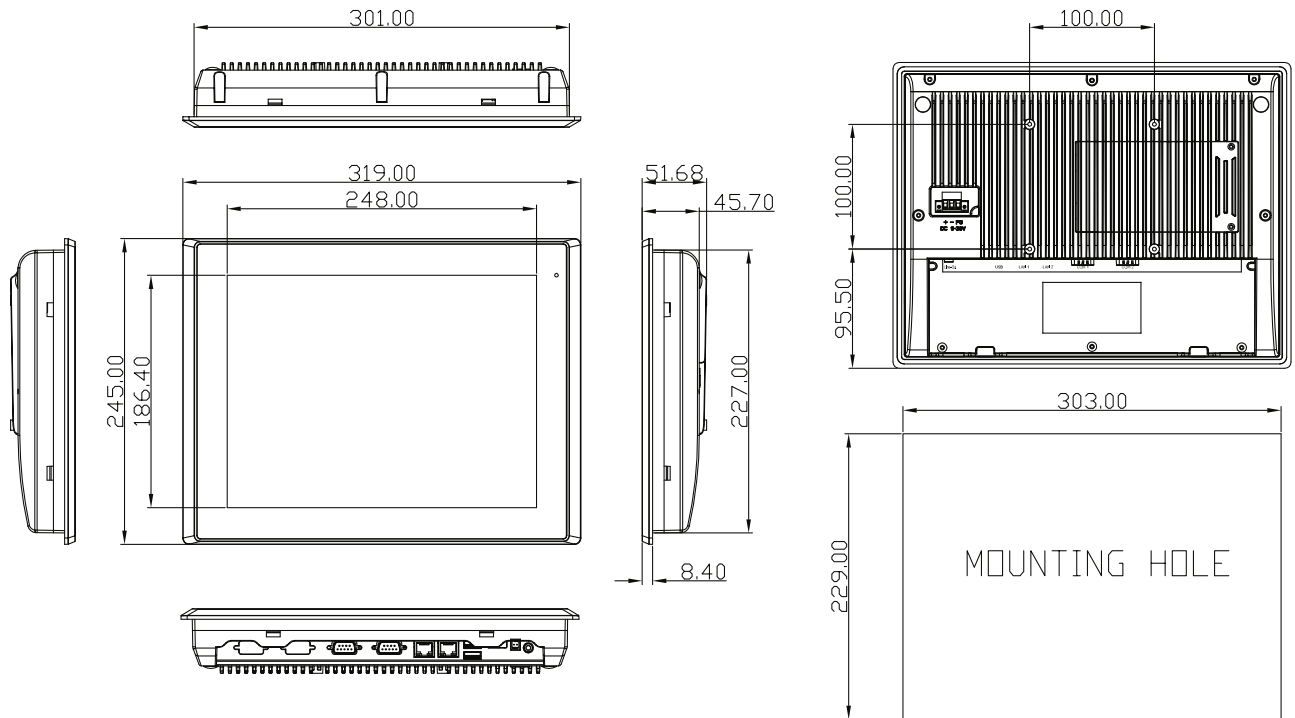


Model Name	VISION-917A		VISION-918A		VISION-919A	
<b>System</b>						
Processor	Onboard 6th Gen. Intel® Core™ i3-6100U Processor (3M Cache, 2.30 GHz) / Intel® Core™ i5-6300U Processor (3M Cache, 2.30 GHz)					
System Chipset	SoC					
System Memory	1x 260-pin SO-DIMM up to 16GB DDR4 2133MHz					
<b>External I/O</b>						
USB	2 x USB 3.0 type A					
Serial/Parallel	1x RS-232/422/485 DB9(COM1), default RS-232; 1x RS-232 DB9(COM2)					
LAN	2x GbE RJ-45					
Audio	1x Line-out					
Power connector	1x 3-pin terminal block connector; x2-pin Power Switch connector					
<b>Storage Space</b>						
HDD	1x 2.5" SATA3 HDD space					
Movable device	None					
<b>Expansion</b>						
Onboard expansion bus	1x mini-PCIe slot (full size)					
<b>Display</b>						
Display type	17" TFT-LCD		18.5" TFT-LCD		19" TFT-LCD	
Max. resolution	1280 x 1024		1366 x 768		1280 x 1024	
Max. color	16.7M		16.7M		16.7M	
Luminance(cd/m <sup>2</sup> )	350		300		350	
View angle(H°/V°)	170/170		160/170		170/165	
Backlight lifetime(hrs)	50000		50000		50000	
<b>Touch Screen</b>						
Type	Resistive (for AR model); Projected Capacitive (for AP model); Glass (for AG model)					
Interface	USB					
Light transmission(%)	Resistive: 80% / Projected Capacitive: 90%					
<b>Power</b>						
Power input	DC 9 ~ 36V					
Power Consumption (TYP.)	50W		60W		60W	
<b>Mechanical</b>						
Construction	Aluminum die-casting Chassis					
IP rating	IP66 Compliant Front Bezel					
Mounting	Panel Mount / VESA 100x100					
Dimension (mm)	439 x 348 x 64.8		499.6 x 314.6 x 65.4		468 x 380 x 64.8	
Net weight (Kg)	6.25		6.7		7.3	
<b>Environment</b>						
Operating temperature (°C)	0 ~ 50					
Storage temperature (°C)	-20 ~ 60					
Storage humidity	10 to 90% @ 40°C, non- condensing					
Certification	CE/FCC Class A					
<b>Operating System Support</b>						
Windows® 7 64bit Windows® 8.1 64bit Windows® 10 64bit						

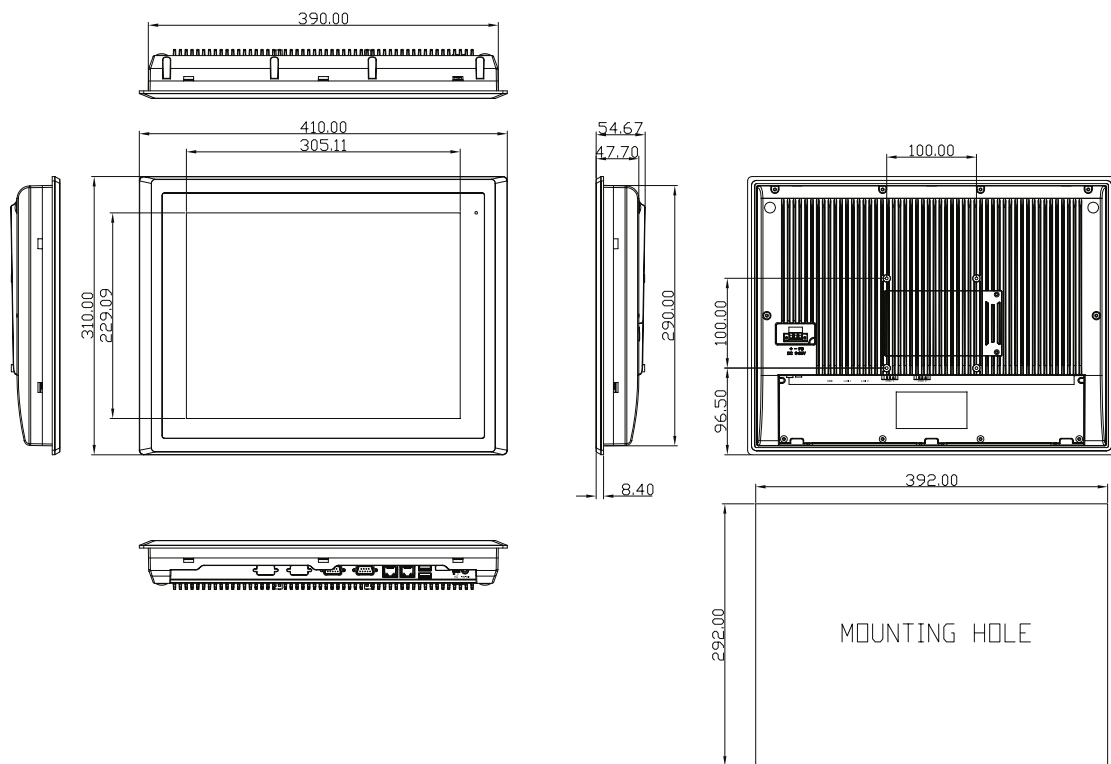


Model Name	VISION-921A	VISION-932A
<b>System</b>		
Processor	Onboard 6th Gen. Intel® Core™ i3-6100U Processor (3M Cache, 2.30 GHz) / Intel® Core™ i5-6300U Processor (3M Cache, 2.30 GHz)	
System Chipset	SoC	
System Memory	1x 260-pin SO-DIMM up to 16GB DDR4 2133MHz	
<b>External I/O</b>		
USB	2 x USB 3.0 type A	
Serial/Parallel	1x RS-232/422/485 DB9(COM1), default RS-232; 1x RS-232 DB9(COM2)	
LAN	2x GbE RJ-45	
Audio	1x Line-out	
Power connector	1x 3-pin terminal block connector; x2-pin Power Switch connector	1x AC Power Input; 1x 2-pin Power Switch connector
<b>Storage Space</b>		
HDD	1x 2.5" SATA3 HDD space	
Movable device	None	
<b>Expansion</b>		
Onboard expansion bus	1 x mini-PCIe slot (full size)	
<b>Display</b>		
Display type	21.5" TFT-LCD	32" TFT-LCD
Max. resolution	1920 x 1080	1920 x 1080
Max. color	16.7M	16.7M
Luminance(cd/m <sup>2</sup> )	300	500
View angle(H°/V°)	178/178	178/178
Backlight lifetime(hrs)	30000	50000
<b>Touch Screen</b>		
Type	Resistive (for AR model); Projected Capacitive (for AP model); Glass (for AG model)	Projected Capacitive
Interface	USB	
Light transmission(%)	Resistive: 80% / Projected Capacitive: 90%	90%
<b>Power</b>		
Power input	DC 9 ~ 36V	
Power Consumption (TYP.)	53W	80W
<b>Mechanical</b>		
Construction	Aluminum die-casting Chassis & Front Bezel	
IP rating	IP66 Compliant Front Bezel	
Mounting	Panel Mount / VESA 100x100	Panel Mount / VESA 200x200
Dimension (mm)	557 x 362 x 64.8	810 x 490 x 65
Net weight (Kg)	7.7	17.5
<b>Environment</b>		
Operating temperature (°C)	0 ~ 50	
Storage temperature (°C)	-20 ~ 60	
Storage humidity	10 to 90% @ 40°C, non- condensing	
Certification	CE/FCC Class A	
<b>Operating System Support</b>		
Windows® 7 64bit Windows® 8.1 64bit Windows® 10 64bit		

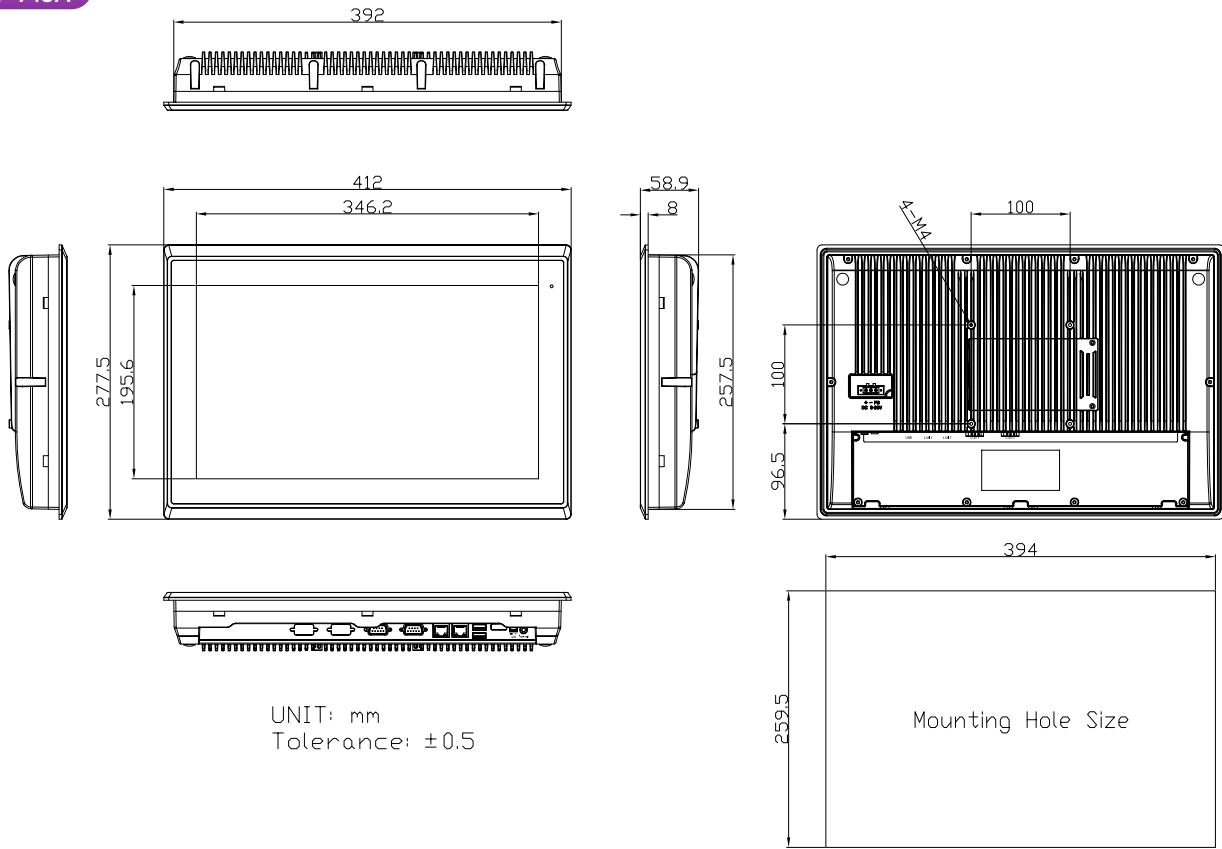
VISION-912A



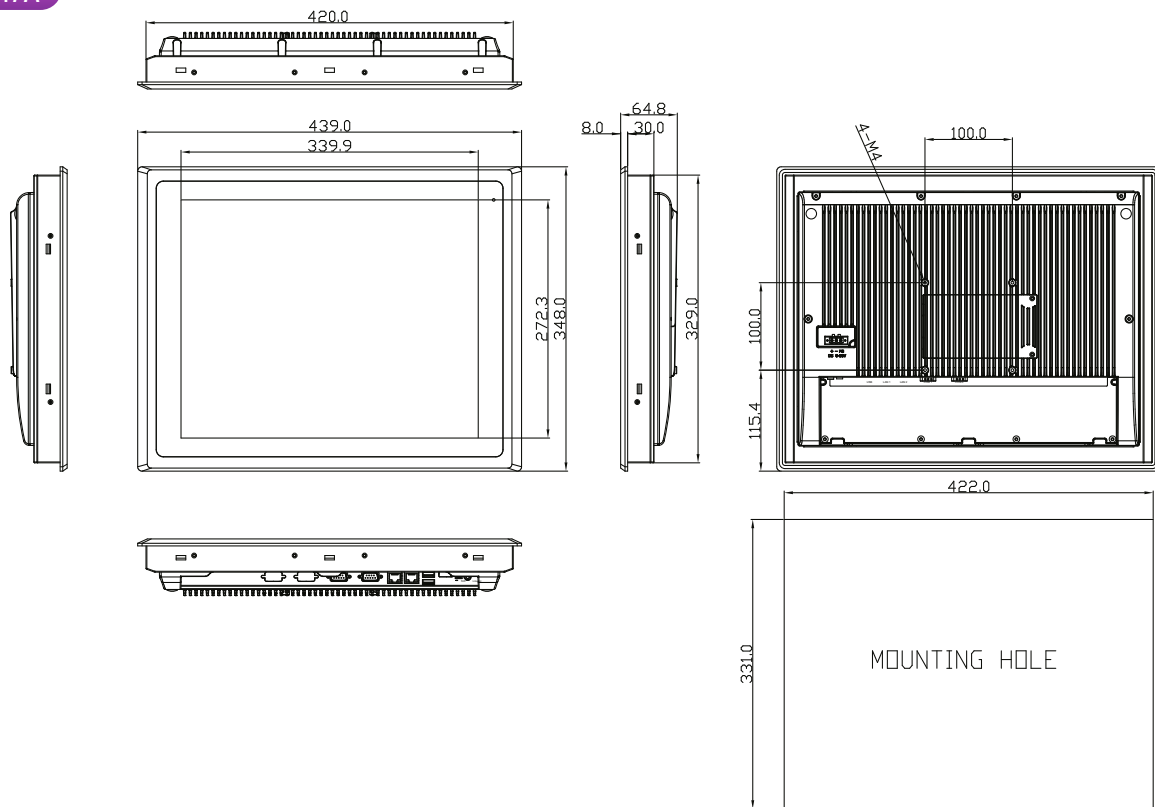
VISION-915A



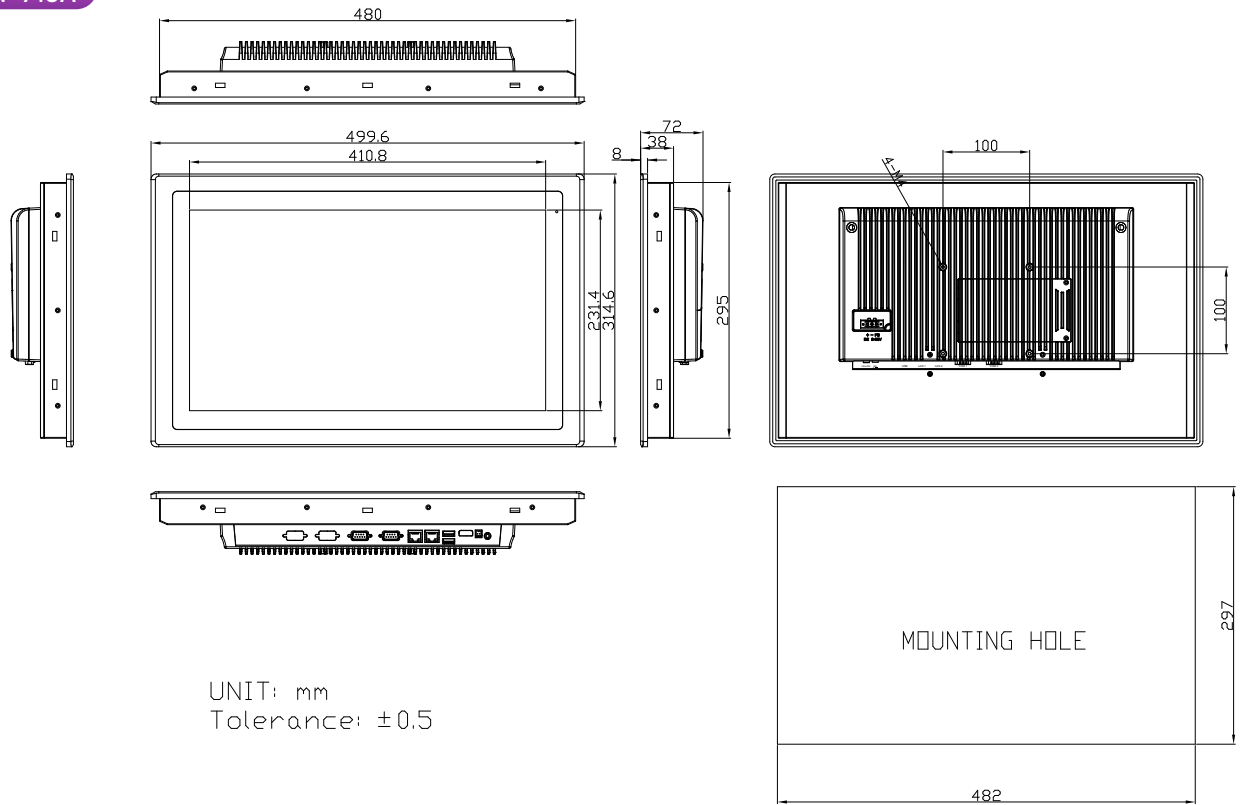
VISION-916A



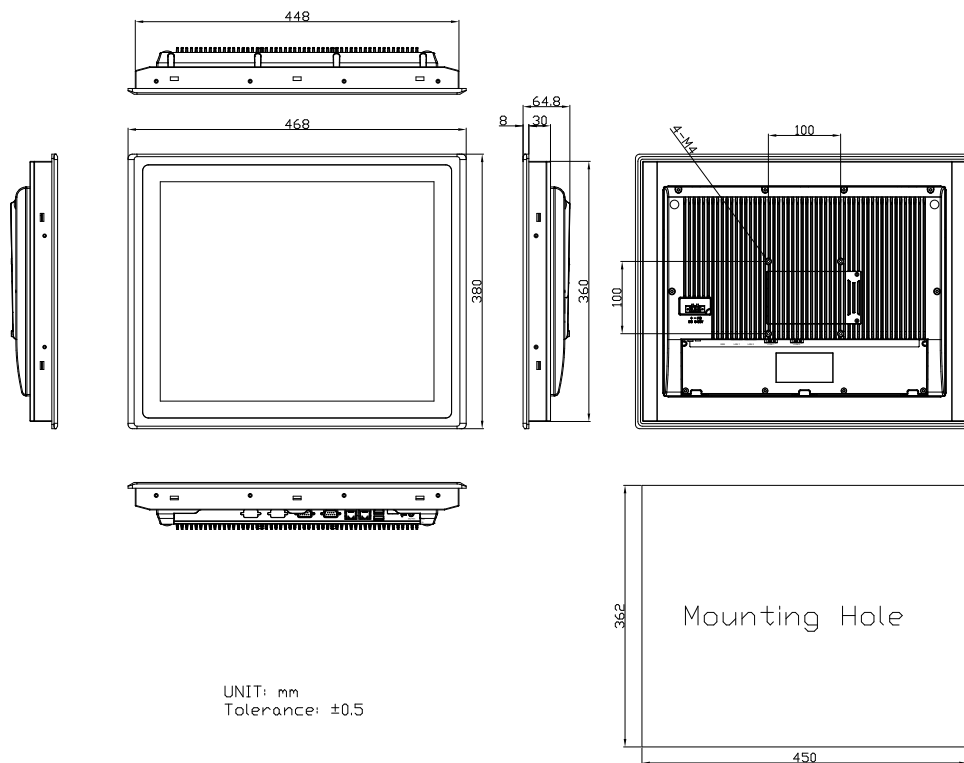
VISION-917A



VISION-918A

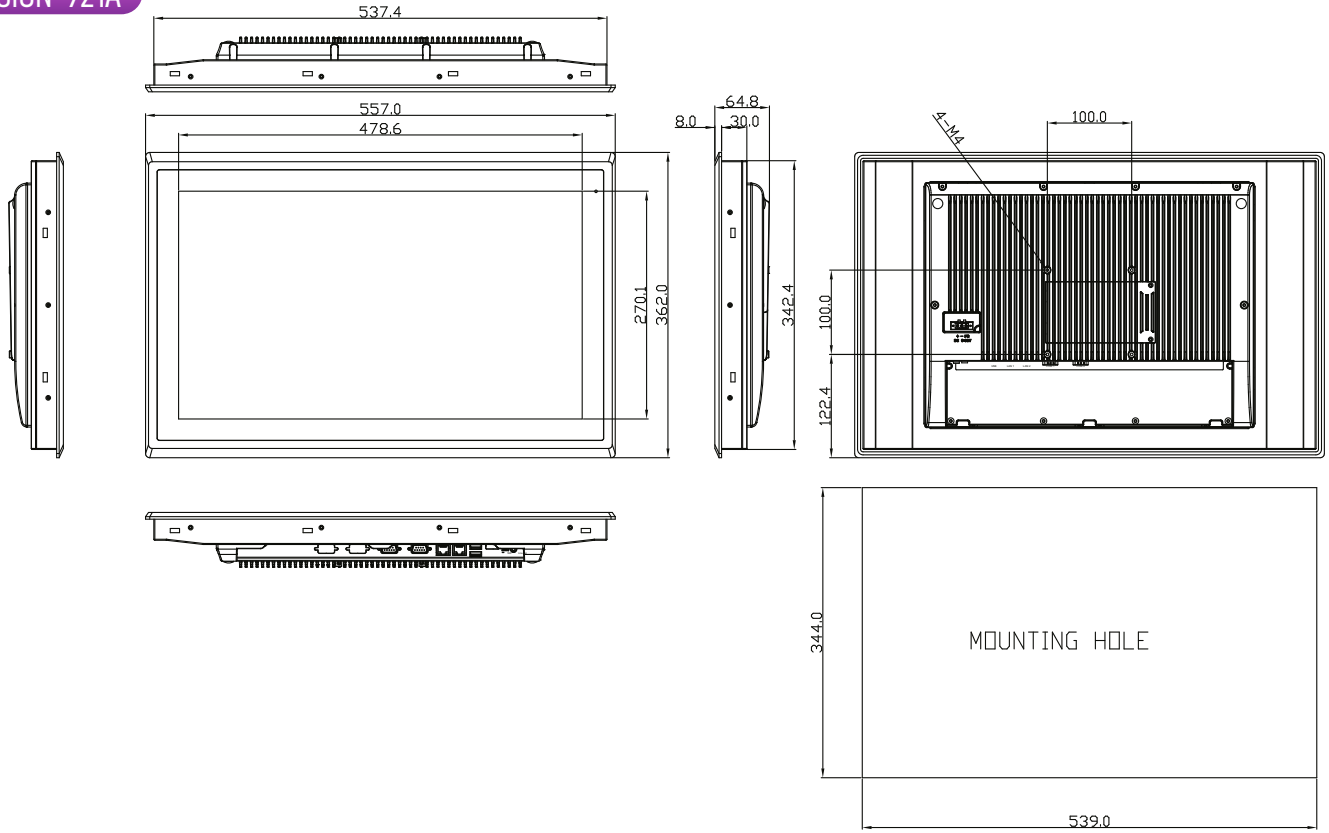


VISION-919A

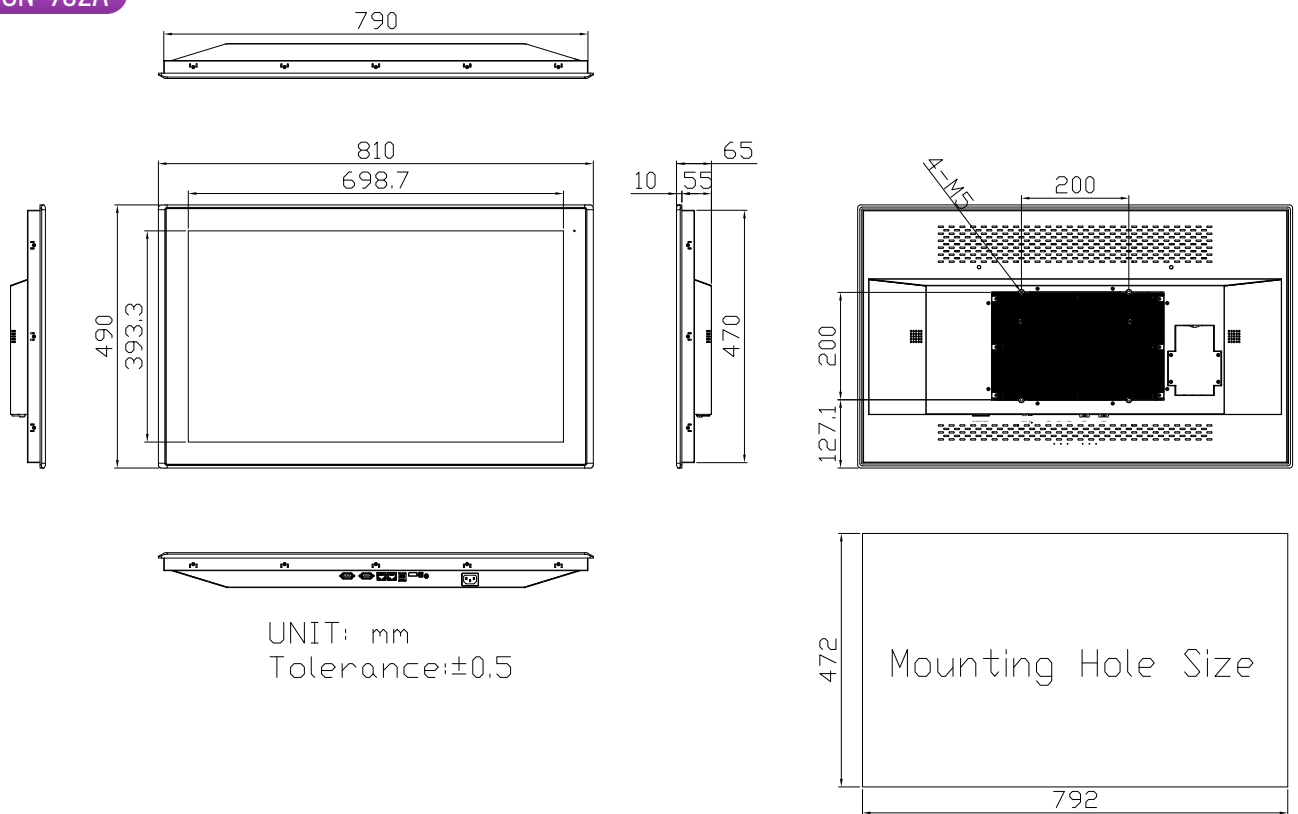




VISION-921A



VISION-932A





Industrial PCs

6XX |

9XXA |

