

THE INSULATION HANDBOOK

Acoustic and thermal insulation solution guide



isover.co.uk

ISOVER
SAINT-GOBAIN

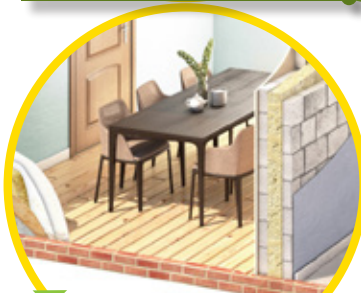
Applications



Pitched Roof -
Joist Level



Internal Floors



Ground Floors



Separating Walls





Pitched Roof - Rafter Level



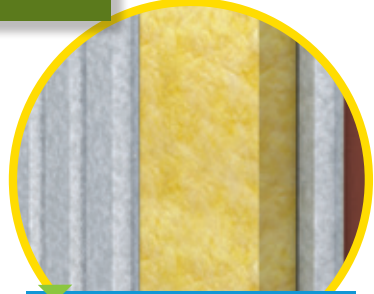
Internal Walls



Separating Floors



External Walls



Industrial Cladding

About us

Isover

Isover is a market leading manufacturer of high performing acoustic and thermal insulation solutions. Manufacturing in the UK since 1979, we have a long history of providing innovative, sustainable and reliable insulation products and solutions to enhance the performance of buildings and create great living spaces.

Manufacturing Standards and Certifications

We are committed to the safety, quality and sustainability of our products and manufacturing sites. Therefore we hold and maintain the following standards and certificates:

Safety

To guarantee safety in use, all our insulation products are EUCB certified. This certifies the conformity of our products with Note Q of Regulation (EC) No: 1272/2008.

Quality and Management Systems

All our insulation manufacturing plants are certified to the ISO 9001 Quality Management system.

Environmental and Sustainability

All our insulation manufacturing plants are certified to the ISO 14001 Environmental Management System. Our Runcorn manufacturing plant is certified to BES 6001 for responsible sourcing. The vast majority of our structural insulation products manufactured at our Runcorn plant achieve the Eurofins 'Gold' standard for indoor air quality.

EPDs

We have 3 EPDs for key products including Acoustic Partition Roll (APR 1200), CWS 32 and Climcover.










CE Marking

All our thermal insulation products (and the vast majority of our acoustic insulation products) are CE marked in accordance with BS EN 13162 (*Thermal insulation products for buildings. Factory made mineral wool (MW) products. Specification*) and BS EN13172 (*Thermal insulating products. Evaluation of conformity*).

Other Certifications

Where required for the application, our products are fully BBA certified.

Contents

	page
1. Icons	6
2. Application Summary	7
3. Applications	
<hr/>	
 Pitched Roof Joist Level	8
 Pitched Roof Rafter Level	9
 External Walls Masonry, Timber Frame, Steel Frame	10
 Separating Walls Masonry, Timber Frame	13
 Internal Walls Partitions	15
 Ground Floors	17
 Internal Floors	18
 Separating Floors	19
 Industrial Cladding	21
<hr/>	
4. Isover Product Guide	22
5. Products	23
6. Building Regulations	43

Icons

Isover enables easy identification of a products application and performance through a set of icons.

Performance Icons



Application Icons



Joist Level



Rafter Level



External Walls



Separating Walls



Internal Walls



Ground Floors



Internal Floors



Industrial Cladding



External Envelope



Eurofins certified products achieve the highest credentials for Indoor Air Quality



Certified by the British Board of Agrément (BBA)



Warranty with guaranteed lifetime performance when used as a part of British Gypsum drywall and acoustic floor systems

robustdetails®

Suitable for use in Robust Detail solutions

Application Summary

	Roof		Wall						Floor			Other
	Pitched Roof - Joist Level	Pitched Roof - Rafter Level	External: Masonry	External: Timber Frame	External: Steel Frame	Separating: Masonry	Separating: Timber Frame	Internal: Partitions	Ground Floors	Separating Floors	Internal Floors	Industrial Cladding
Spacesaver/Spacesaver Ready Cut	✓								✓			
Spacesaver Lite	✓								✓			
Spacesaver Plus	✓								✓			
Metac		✓										
RD Party Wall Roll						✓						
Timber Party Wall Roll							✓					
Cavity Wall Slab 32			✓									
Cavity Wall Slab 34			✓									
Cavity Wall Slab 36			✓									
Timber Frame Roll / Batt				✓			✓					
Frame Façade Slab				✓								
Steel Frame Infill Batt					✓							
Acoustic Partition Roll (APR 1200)								✓		✓	✓	
Acoustic Slab								✓		✓		
UniSlab	✓									✓	✓	
RD Acoustic Floor Slab										✓		
Sound Deadening Floor Slab										✓		
Sound Deadening Floor Roll										✓		
Cladding Roll					✓							✓

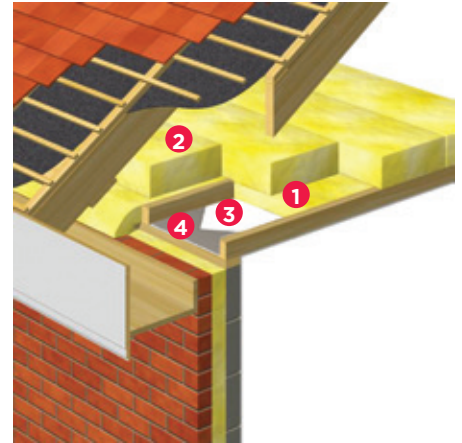
Pitched Roof



Joist Level

Insulation Between and Over Joists

- 1 Isover insulation between joists
- 2 Isover insulation cross laid over joists
- 3 Recommended: Vapour control layer should be installed to the underside of truss to improve airtightness of the fabric
- 4 12.5mm Gyproc WallBoard



U-value achieved (W/m ² K)	Between Joists		Over Joists	
	Product	Thickness (mm)	Product	Thickness (mm)
0.16	Spacesaver or Spacesaver Lite	100	Spacesaver or Spacesaver Lite	170
0.15	Spacesaver or Spacesaver Lite	100	Spacesaver or Spacesaver Lite	200
0.10	Spacesaver Plus	100	Spacesaver Plus	300 (150+150)
0.08	Spacesaver Plus	100	Spacesaver Plus	400 (200+200)

The table above shows a selection of system details to illustrate performance. For additional options, or for further guidance, please contact our Technical Advice Centre on 0115 945 1143.

Isover Products:



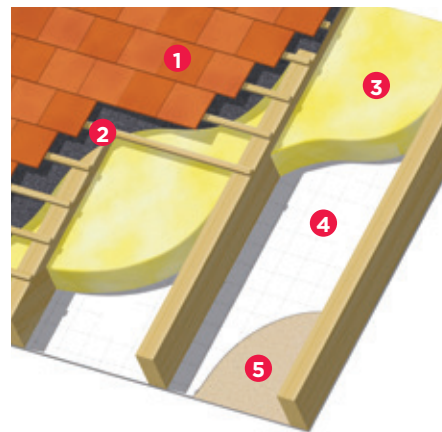
Pitched Roof



Rafter Level

Insulation Between Rafters

- 1 Tiled or slated roof on tiling battens
- 2 Breathable membrane
- 3 Metac between the rafters
- 4 Recommended: Vapour control layer
- 5 Board lining (thermal laminate option or counter batten filled with insulation not shown)



U-value (W/m ² K)*	Insulation between rafters @ 600mm centres	Insulation below rafters
0.19	125 mm Metac	53mm Gyproc ThermaLine PIR
0.18	125 mm Metac	63mm Gyproc ThermaLine PIR
0.17	175 mm Metac	50mm Metac between counter battens plus 12.5mm Gyproc WallBoard
0.16	175 mm Metac	53mm Gyproc ThermaLine PIR
0.15	175 mm Metac	63mm Gyproc ThermaLine PIR
0.14	200 mm Metac	53mm Gyproc ThermaLine PIR
0.12	200 mm Metac	78mm Gyproc ThermaLine PIR

*Based on 50mm wide rafters.

The table above shows a selection of system details to illustrate performance. For additional options, or for further guidance, please contact our Technical Advice Centre on 0115 945 1143.

Isover Products:



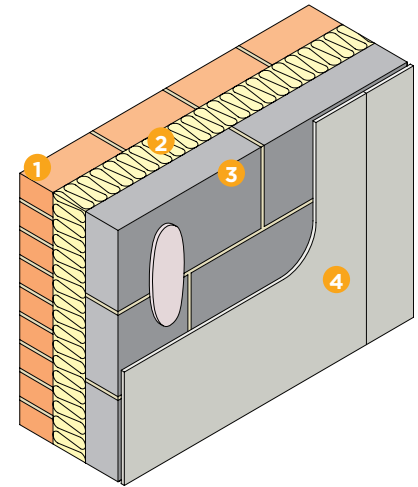
External Walls



Masonry

Cavity Walls - Full-Fill

- 1 External brick
- 2 Cavity fully-filled with CWS
- 3 100mm Aircrete block
- 4 12.5mm Gyproc WallBoard



Masonry External Wall	U-value achieved (W/m ² K)	Cavity (mm)	Insulation	Aircrete block (W/mK)
Extension / New build	0.26	100	CWS 36	0.15
	0.25	100	CWS 34	0.15
	0.24	100	CWS 32	0.15
	0.22	125	CWS 36	0.15
	0.21	125	CWS 34	0.15
	0.20	125	CWS 32	0.15
	0.19	150	CWS 36	0.15
	0.18	150	CWS 34	0.15
	0.17	150	CWS 32	0.15

U-values calculated using standard wall ties.

The table above shows a selection of system details to illustrate performance. For additional options, or for further guidance, please contact our Technical Advice Centre on 0115 945 1143.

Isover Products:



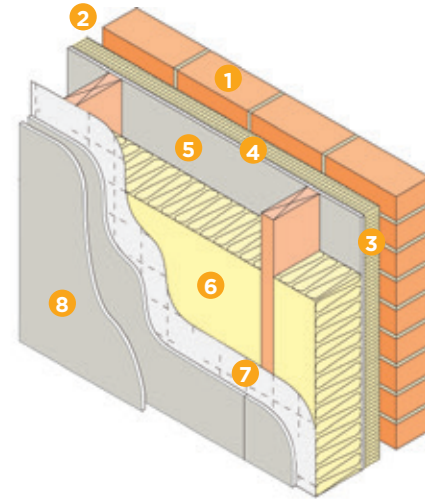
Cavity Wall Slab



Timber Frame

Insulation Between and to Exterior of Studwork

- 1 External brick
- 2 Clear cavity
- 3 Isover insulation outside frame
- 4 Breather membrane
- 5 Sheathing board
- 6 Isover insulation between studs
- 7 Recommended: Vapour control layer
- 8 2 x 12.5mm Gyproc WallBoard



Timber External Wall	U-value achieved (W/m ² K)	Stud Depth (mm)	Insulation between studs	Insulation outside frame
Extension	0.27	140	Timber Frame Roll / Batt 35	N/A
New build	0.26	140	Timber Frame Roll / Batt / 32	
	0.20	140	Timber Frame Batt 43	Frame Façade Slab (50mm)
	0.18	140	Timber Frame Roll / Batt 32	

The table above shows a selection of system details to illustrate performance. For additional options, or for further guidance, please contact our Technical Advice Centre on 0115 945 1143.

Isover Products:



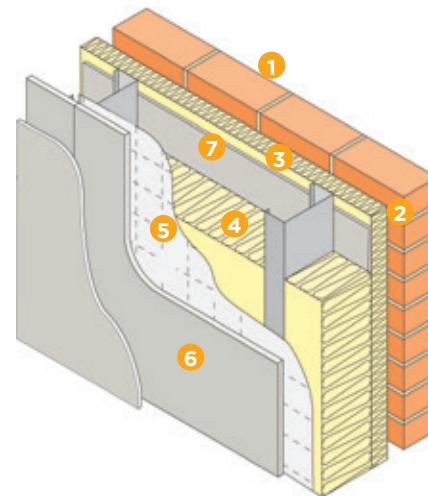
External Walls



Steel Frame

Insulation Between and to Exterior of Studwork

- 1 External brick
- 2 Cavity
- 3 Insulation outside frame
- 4 Steel Frame Infill Batt
- 5 Recommended: Vapour control layer
- 6 2 x 12.5mm Gyproc WallBoard
- 7 Sheathing board



For system details to achieve a range of U-values, please contact our Technical Advice Centre on 0115 945 1143.

Isover Products:



Steel Frame Infill Batt

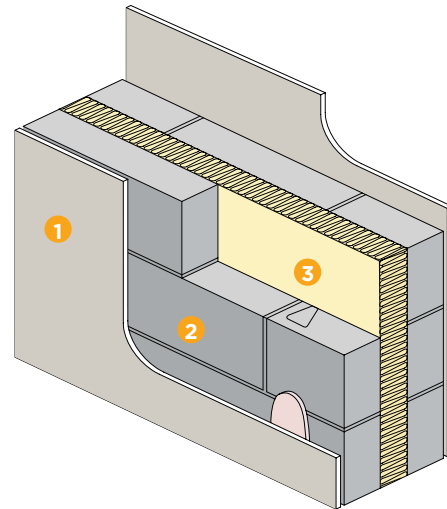
Separating Walls



Masonry

Robust Details

- 1 12.5mm Gyproc WallBoard TEN
- 2 Block
- 3 Cavity fully-filled with RD Party Wall Roll



Masonry Party Wall	Code for Sustainable Homes Credits	Acoustic performance dB ($D_{nT,w} + C_{tr}$)	Minimum cavity (mm)	Block	Insulation	Zero U-value
E-WM-17	3	50	75	Aggregate	RD Party Wall Roll	YES (1)
E-WM-20*			100			
E-WM-24			100	Aircrete		

(1) When combined with effective edge sealing.

*Scotland V-WM-20.

The table above shows a selection of system details to illustrate performance. For additional options, or for further guidance, please contact our Technical Advice Centre on 0115 945 1143.

Isover Products:



RD Party Wall Roll

robustdetails®

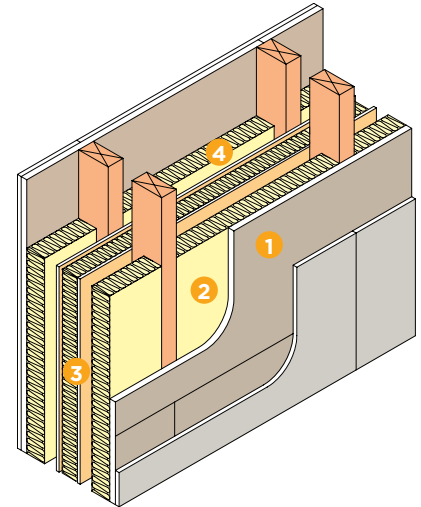
Separating Walls



Timber

Timber Frame Party Walls

- 1 2 x 12.5mm Gyproc WallBoard
- 2 Timber Frame Batt 40, 90mm between studs
- 3 Timber Party Wall Roll, 50mm
- 4 Timber Frame Batt 40, 90mm between studs



England and Wales

Timber Party Wall	Acoustic performance dB ($D_{nT,w} + C_{tr}$)	Insulation within stud	Insulation in cavity	Minimum cavity width	Board Lining	Zero U-value
E-WT-2	≥45	Timber Frame Batt 40 90mm	Timber Party Wall 50mm	50	Gyproc WallBoard	YES (1)

Scotland

Timber Party Wall	Acoustic performance dB ($D_{nT,w}$)	Insulation within stud	Insulation in cavity	Minimum cavity width	Board Lining	Zero U-value
V-WT-2	≥56	Timber Frame Batt 40 90mm	Timber Party Wall 50mm	50	Gyproc WallBoard	YES (1)

(1) When combined with effective edge sealing.

The tables above show a selection of system details to illustrate performance. For additional options, or for further guidance, please contact our Technical Advice Centre on 0115 945 1143.

Isover Products:



Timber Frame Batt



Timber Party Wall Roll

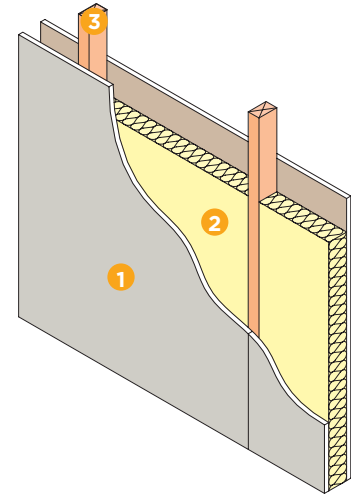
robustdetails®



Timber Studs

Internal Partitions

- 1 Gyproc WallBoard / Gyproc SoundBloc
- 2 Acoustic Partition Roll (APR 1200) between studs
- 3 Timber studs



dB R _w achieved	Partition thickness (mm)	Stud (mm)	Insulation within stud (mm)	WallBoard
41	88	63mm x 38mm timber stud	Acoustic Partition Roll APR 1200 65mm	1 x 12.5mm Gyproc WallBoard
44	93	63mm x 38mm timber stud	Acoustic Partition Roll APR 1200 50mm	1 x 15mm Gyproc WallBoard
56	141*	75mm x 38mm timber stud	Acoustic Partition Roll APR 1200 50mm	2 x 12.5mm Gyproc SoundBloc
59	157*	75mm x 38mm timber stud	Acoustic Partition Roll APR 1200 50mm	2 x 12.5mm Gyproc SoundBloc

* 56dB and 59dB timber stud partitions use Resilient Bars to isolate the plasterboard from the stud.

The table above shows a selection of system details to illustrate performance. For additional options, or for further guidance, please contact our Technical Advice Centre on 0115 945 1143.

Isover Products:



Acoustic Partition Roll

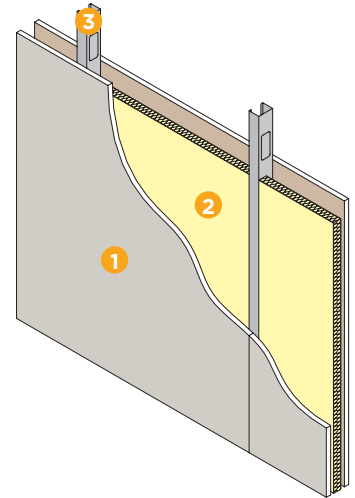
Internal Walls



Metal Studs

Internal Partitions

- 1 Gyproc WallBoard / Gyroc SoundBloc
- 2 Acoustic Partition Roll (APR 1200)
- 3 Gypframe metal studs



dB R _w achieved	Partition thickness (mm)	Stud (mm)	Insulation within stud (mm)	WallBoard
41	75	Gypframe 48 S 50 'C' stud	Acoustic Partition Roll APR 1200 50mm	1 x 12.5mm Gyproc WallBoard
44	102	Gypframe 70 S 50 'C' stud	Acoustic Partition Roll APR 1200 50mm	1 x 15mm Gyproc WallBoard
56	132	Gypframe 70 S 50 'C' stud	Acoustic Partition Roll APR 1200 50mm	2 x 15mm Gyproc SoundBloc
59	208	Gypframe 146 S 50 'C' stud	Acoustic Partition Roll APR 1200 50mm	2 x 15mm Gyproc SoundBloc

The table above shows a selection of system details to illustrate performance. For additional options, or for further guidance, please contact our Technical Advice Centre on 0115 945 1143.

Isover Products:



Acoustic Partition Roll

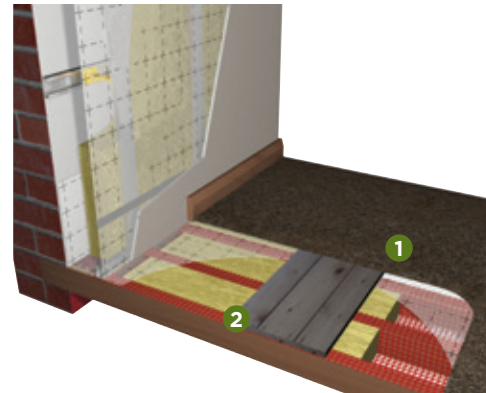


These products carry a lifetime warranty when used in British Gypsum SpecSure® lifetime system warranted drywall and floor systems.



Suspended Timber Floor

- 1 Timber walking surface
- 2 200mm Spacesaver between joists (supported with netting below)



P/A ratio	Insulation between joists*
	200mm Spacesaver (W/m ² K)
0.1	0.13
0.2	0.16
0.3	0.17
0.4	0.18
0.5	0.19
0.6	0.19
0.7	0.20
0.8	0.20
0.9	0.20

Joists assumed to be 50mm wide at 450mm centres. * Supported with netting below.

The table above shows a selection of system details to illustrate performance. For additional options, or for further guidance, please contact our Technical Advice Centre on 0115 945 1143.

Isover Products:



Cladding Roll



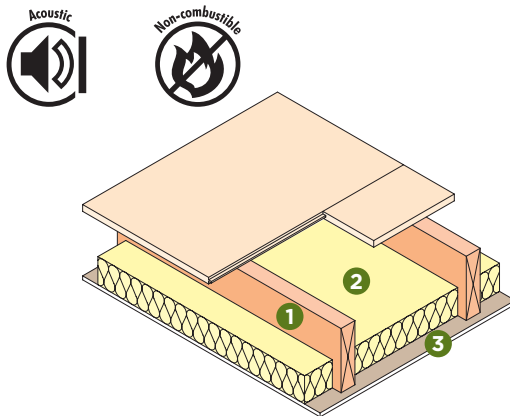
Spacesaver

Internal Floors



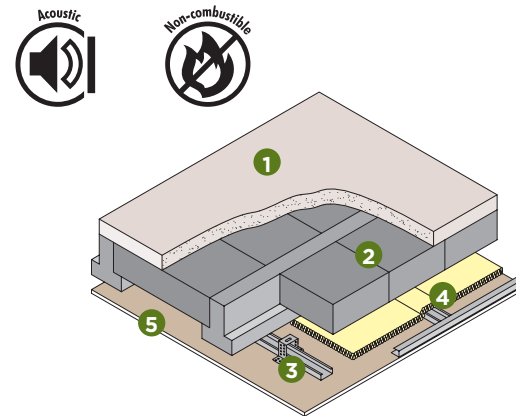
Timber

- 1 Timber joist floor with wood based flooring (minimum 15kg/m²)
- 2 100mm Acoustic Partition Roll (APR 1200)
- 3 12.5mm Gyproc WallBoard TEN



Beam and Block

- 1 40mm bonded sand / cement screed
- 2 Beam and block floor (min. mass per unit area 220kg/m²)
- 3 Gyproc UNIVERSAL
- 4 25mm Acoustic Partition Roll (APR 1200) filling the cavity
- 5 12.5mm Gyproc WallBoard TEN



dB R _w Achieved	Insulation between joists	Board lining
40	APR 1200, 100mm	12.5mm Gyproc WallBoard TEN
43	APR 1200, 100mm	2 x 12.5mm Gyproc WallBoard TEN

The table above shows a selection of system details to illustrate performance. For additional options, or for further guidance, please contact our Technical Advice Centre on 0115 945 1143.

Isover Products:



Acoustic Partition Roll

Isover Products:



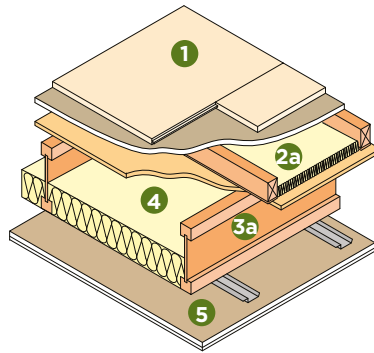
Acoustic Partition Roll

Separating Floors

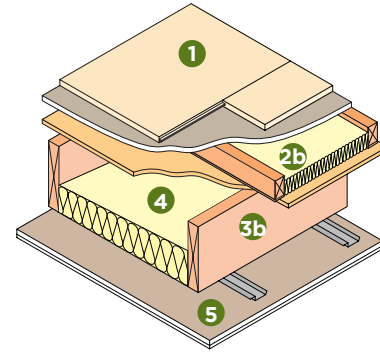


Timber

- 1 Floating floor
- 2a 25mm APR 1200
- 2b 60mm APR 1200
- 3a 235mm (min) timber I-joists
- 3b 220mm (min) solid timber joists at maximum 400mm centres
- 4 100mm APR 1200
- 5 Ceiling treatment



Floor type A



Floor type B



Floor type A	Acoustic performance dB ($D_{nT,w} + C_{tr}$)	Acoustic performance dB ($D_{nT,w}$)	Insulation between I joists	Insulation between floating floor battens
E-FT-1 (England and Wales)	45		APR 1200 100mm	APR 1200 25mm
3B (Scotland)		56	APR 1200 100mm	APR 1200 25mm

Floor type B	Acoustic performance dB ($D_{nT,w} + C_{tr}$)	Acoustic performance dB ($D_{nT,w}$)	Insulation between joists	Insulation between floating floor battens
E-FT-2 (England and Wales)	45		APR 1200 100mm	APR 1200 60mm
3A (Scotland)		56	APR 1200 100mm	APR 1200 60mm

Maximum impact sound transmission, England and Wales 62 dB $L'_{nT,w}$ and Scotland 56 dB $L'_{nT,w}$ also required for Separating Floors.

The tables above shows a selection of system details to illustrate performance. For additional options, or for further guidance, please contact our Technical Advice Centre on 0115 945 1143.

Isover Products:



Acoustic Partition Roll

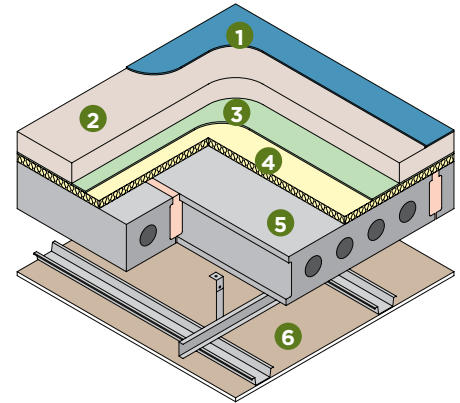
robustdetails®

Separating Floors



Concrete

- 1 4.5mm bonded resilient floor covering
- 2 65mm sand cement screed
- 3 5mm foamed polythene layer
- 4 25mm RD Acoustic Floor Slab
- 5 Precast concrete plank, 150mm thick
- 6 One layer of Gyproc WallBoard τ EN

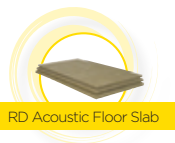


Robust Detail, E-FC-8

Floor type	Acoustic performance dB ($D_{nT,w} + C_{tr}$)	Acoustic performance dB ($L_{nT,w}$)	Insulation
E-FC-8	45	62	25mm RD Acoustic Floor Slab

The table above shows a selection of system details to illustrate performance. For additional options, or for further guidance, please contact our Technical Advice Centre on 0115 945 1143.

Isover Products:



RD Acoustic Floor Slab

robustdetails®

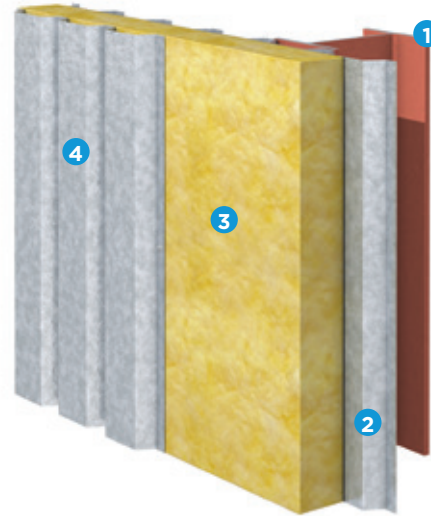
Industrial Cladding



Walls and Roofs

Metallic Buildings

- 1 Structural steel column
- 2 Inner liner panel
- 3 Cladding Roll 40
- 4 External metal sheet



Cladding Roll 40 (Thermal conductivity = 0.040 W/mk)

U-value achieved (W/m²K)

Roofs	Rail Spacing (mm)		
Insulation Thickness (mm)	U-value @ 1200 (W/m ² K)	U-value @ 1800 (W/m ² K)	U-value @ 2400 (W/m ² K)
80	0.56	0.53	0.52
100	0.44	0.43	0.42
120	0.37	0.36	0.35
140	0.32	0.31	0.30
160	0.28	0.27	0.27
180	0.25	0.24	0.24
200	0.23	0.22	0.21

Walls	Rail Spacing (mm)		
Insulation Thickness (mm)	U-value @ 1200 (W/m ² K)	U-value @ 1800 (W/m ² K)	U-value @ 2400 (W/m ² K)
80	0.55	0.53	0.51
100	0.44	0.42	0.41
120	0.37	0.35	0.35
140	0.31	0.30	0.30
160	0.28	0.27	0.26
180	0.25	0.24	0.24
200	0.22	0.22	0.21

The tables above show a selection of system details to illustrate performance. For additional options, or for further guidance, please contact our Technical Advice Centre on 0115 945 1143.

Isover Product Guide

Product	Thermal Conductivity (W/mK)	Acoustic	Euroclass Fire Rating	Generic BRE Green Guide	Page
Spacesaver / Spacesaver Ready-Cut	0.044		A1	A+	27
Spacesaver Lite	0.044		A1	A+	28
Spacesaver Plus	0.040		A1	A+	29
Metac	0.034	✓	A1	A+	30
RD Party Wall Roll	0.036	✓	A1	A+	32
Timber Party Wall Roll		✓	A1	A+	33
(CWS) Cavity Wall Slab	0.036 - 0.032	✓	A1	A+	34
Timber Frame Roll / Batt	0.043 - 0.032	✓	A1	A+	36
Frame Façade Slab	0.031	✓	A2	A	38
Steel Frame Infill Batt	0.036	✓	A1	A+	39
Acoustic Partition Roll (APR 1200)	0.043 - 0.039	✓	A1	A+	40
Acoustic Slab	0.036	✓	A1	A+	41
UniSlab	0.036	✓	A1	A+	44
RD Acoustic Floor Slab	0.037	✓	A1		45
Sound Deadening Floor Slab	0.034	✓	A1	A+	46
Sound Deadening Floor Roll	0.034	✓		A+	47
Cladding Roll	0.040	✓	A1	A+	48



A glass mineral wool roll providing increased thermal performance for residential pitched roof, joist level floors. Rolls are pre-perforated to 3 x 386mm and 2 x 580mm widths to fit between common joist spacing.

Product Features and Benefits

- Improves energy performance and reduces heating costs
- Available as pre-perforated rolls or Ready-Cut rolls

Spacesaver

Product code	Thickness (mm)	Width (mm)	Length (mm)	Pack area (m ²)	Packs per pallet	Pallet area (m ²)	λ _D Declared thermal conductivity(W/mK)	R _D Declared thermal resistance (m ² K/W)
5200854520	100	1160	12180	14.13	24	339.12	0.044	2.25
5200854529	150	1160	8050	9.34	24	224.16	0.044	3.40
5200854549	170	1160	7030	8.15	24	195.60	0.044	3.85
5200840154	200	1160	5200	6.03	24	144.72	0.044	4.50

Spacesaver Ready-Cut

Product code	Thickness (mm)	Width (mm)	Length (mm)	Pack area (m ²)	Packs per pallet	Pallet area (m ²)	λ _D Declared thermal conductivity(W/mK)	R _D Declared thermal resistance (m ² K/W)
5200861922	100	3 x 386	12180	14.10	24	338.40	0.044	2.25
5200862146	100	2 x 580	12180	14.13	24	339.12	0.044	2.25
5200861942	150	3 x 386	8050	9.32	24	223.68	0.044	3.40
5200861971	150	2 x 580	8050	9.34	24	224.16	0.044	3.40
5200861980	200	3 x 386	5200	6.02	24	144.48	0.044	4.50
5200861975	200	2 x 580	5200	6.03	24	144.72	0.044	4.50

For further guidance, please contact our Technical Advice Centre on 0115 945 1143.



Spacesaver Lite



Spacesaver Lite is a glass mineral wool roll providing thermal insulation for domestic loft floors. The rolls are shorter and lighter to allow for easier handling on site and are pre-perforated to 3x386mm and 2x580mm widths to fit between common joist spacing.



Product Features and Benefits

- Improves energy performance and reduces heating and cooling costs
- Shorter rolls for easier handling and ease of installation

Product Order Code	Thermal Conductivity (W/mK)	Thermal Resistance (m ² K/W)	Thickness (mm)	Width (mm)	Length (mm)	Pack Area (m ²)	Packs Per Pallet
5200771442	0.044	2.25	100	1160	7000	8.12	30
5200771435	0.044	3.40	150	1160	4700	5.45	30
5200774795	0.044	3.85	170	1160	4220	4.90	30
5200771402	0.044	4.50	200	1160	3500	4.06	30

For further guidance, please contact our Technical Advice Centre on 0115 945 1143.



Spacesaver Plus



A glass mineral wool roll providing increased thermal performance for residential pitched roof, joist level floors. Rolls are pre-perforated to 3 x 386mm and 2 x 580mm widths to fit between common joist spacing.



Product Features and Benefits

- Improves energy performance and reduces heating and cooling costs

Product Order Code	Thermal Conductivity (W/mK)	Thermal Resistance (m ² K/W)	Thickness (mm)	Width (mm)	Length (mm)	Pack Area (m ²)	Packs Per Pallet
5200625357	0.040	2.50	100	1160	7000	8.12	24
5200625359	0.040	3.75	150	1160	4670	5.42	24
5200625361	0.040	5.00	200	1160	3500	4.06	24

For further guidance, please contact our Technical Advice Centre on 0115 945 1143.





A high performance glass mineral wool 'slab on a roll' providing excellent thermal and acoustic performance for pitched roof rafter applications. One of the most cost effective and easy to install solutions on the market.



Product Features and Benefits

- High performance thermal insulation - Thermal conductivity of 0.034 W/mK allows a wide range of U-values to be met
- Excellent acoustic performance - Provides a weighted sound reduction of 49dB (R_w), delivering excellent external noise reduction on-site, compared to other insulation materials*
- Quick and easy to install – Friction fits between rafters, no slumping, easy to cut and handle

Product Order Code	Thermal Conductivity (W/mK)	Thermal Resistance (m ² K/W)	Thickness (mm)	Width (mm)	Length (mm)	Pack Area (m ²)	Packs Per Pallet
5200819227	0.034	1.45	50	1200	9300	11.16	18
5200819232	0.034	3.65	125	1200	4800	5.76	18
5200826090	0.034	4.40	150	1200	4100	4.92	18
5200819233	0.034	5.10	175	1200	3500	4.20	18
5200819234	0.034	5.85	200	1200	3200	3.84	18

For further guidance, please contact our Technical Advice Centre on 0115 945 1143.

*March 2018 - Salford University Acoustic testing to BS EN ISO 10140-2:2010.



RD Party Wall Roll



An acoustic insulation used to reduce the passage of sound across a separating / party wall. RD Party Wall Roll is a glass mineral wool roll designed for use in Robust Detail wall constructions to meet UK Building Regulations.

Product Features and Benefits

- Proprietary component of E-WM-17, E-WM-20 & E-WM-24
- Thermal bypass solution - meets the full requirement to deliver zero U-value for party walls when used with effective edge sealing.
- No requirement for parge coating prior to drylining
- Helps reduce the transmission of airborne sound between adjacent properties
- Easy to install - ready-cut to fit between standard wall tie spacing



Product Order Code	Thermal Conductivity (W/mK)	Thermal Resistance (m ² K/W)	Thickness (mm)	Width (mm)	Length (mm)	Pack Area (m ²)	Packs Per Pallet
5200625584	0.036	2.05	75	2 x 455	8500	7.74	28
5200625585	0.036	2.75	100	2 x 455	6000	5.46	28
5200625593	0.036	3.45	125	2 x 455	5000	4.55	28
5200625592	0.036	4.15	150	2 x 455	4000	3.64	28

For further guidance, please contact our Technical Advice Centre on 0115 945 1143.



robustdetails®

Timber Party Wall Roll



A glass mineral wool roll designed to reduce the passage of sound across a party wall in timber frame properties and to help deliver a zero U-value for party walls as defined in UK Building Regulations.



Product Features and Benefits

- Helps reduce the transmission of airborne sound between adjacent properties
- Thermal by pass solution - meets the full-fill requirement to help deliver a zero U-value for party walls as defined in Building Regulations
- Un-split rolls allows quick coverage of large areas

Product Order Code	Thickness (mm)	Width (mm)	Length (mm)	Pack Area (m ²)	Packs Per Pallet
5200625559	50	1200	12000	14.40	24
5200625561	75	1200	8000	9.60	24
5200625563	100	1200	6000	7.20	24

For further guidance, please contact our Technical Advice Centre on 0115 945 1143.



robustdetails®

CWS (Cavity Wall Slab)



A glass mineral wool slab range providing excellent thermal performance in masonry cavity walls to meet or exceed the requirements of UK Building Regulations. Supplied in 50-150mm thicknesses, the strong, resilient and flexible batts are 455mm wide to fit between standard wall tie spacing.

Product Features and Benefits

- Full-fill cavity slab providing excellent thermal performance
- Helps minimise flanking sound transmission along the wall cavity
- Approved for use in severe exposure zones

	Product Order Code	Thermal Conductivity (W/mK)	Thermal Resistance (m ² K/W)	Thickness (mm)	Width (mm)	Length (mm)	Batts Per Pack	Pack Area (m ²)	Packs Per Pallet
CWS 32	5200625457	0.032	2.00	65	455	1200	12	6.55	15
	5200625459	0.032	2.30	75	455	1200	10	5.46	15
	5200625461	0.032	2.65	85	455	1200	8	4.37	15
	5200625463	0.032	3.10	100	455	1200	6	3.28	15
	5200619452	0.032	3.90	125	455	1200	5	2.73	15
	5200619455	0.032	4.65	150	455	1200	4	2.18	15

For further guidance, please contact our Technical Advice Centre on 0115 945 1143.



CWS (Cavity Wall Slab)



CWS 34	Product Order Code	Thermal Conductivity (W/mK)	Thermal Resistance (m ² K/W)	Thickness (mm)	Width (mm)	Length (mm)	Batts Per Pack	Pack Area (m ²)	Packs Per Pallet
	5200673468	0.034	2.25	75	455	1200	10	5.46	20
	5200673467	0.034	2.95	100	455	1200	8	4.37	20
	5200679860	0.034	3.70	125	455	1200	6	3.28	20
	5200679864	0.034	4.45	150	455	1200	6	3.28	20

CWS 36	Product Order Code	Thermal Conductivity (W/mK)	Thermal Resistance (m ² K/W)	Thickness (mm)	Width (mm)	Length (mm)	Batts Per Pack	Pack Area (m ²)	Packs Per Pallet
	5200625441	0.036	1.35	50	455	1200	20	10.92	20
	5200625443	0.036	1.80	65	455	1200	16	8.74	25
	5200625445	0.036	2.05	75	455	1200	16	8.74	20
	5200625447	0.036	2.35	85	455	1200	12	6.55	20
	5200625449	0.036	2.75	100	455	1200	12	6.55	20
	5200625451	0.036	3.45	125	455	1200	8	4.37	25
	5200625453	0.036	4.15	150	455	1200	6	3.28	20

For further guidance, please contact our Technical Advice Centre on 0115 945 1143.



Timber Frame Roll/Batt



A glass mineral wool roll / batt providing thermal and acoustic insulation for timber frame external and separating wall applications. The rolls / batts push-fit between rafters at 600mm centres without the need for measuring or cutting.



Product Features and Benefits

- Thermal conductivity of 0.032 to 0.043 W/mK
- Excellent acoustic properties
- 2 x 570mm wide ready cut glass mineral wool rolls and 570mm x 1175mm glass mineral wool batts
- Two batts end-to-end typically fit standard storey height
- Compatible with 600mm timber stud centres
- Push fit with no need for additional fixings

	Product Order Code	Thermal Conductivity (W/mK)	Thermal Resistance (m ² K/W)	Thickness (mm)	Width (mm)	Length (mm)	Pack Area (m ²)	Packs Per Pallet
Roll	5200774591	0.032	2.80	90mm	2 x 570	4200	4.79	24
	5200818312	0.032	4.35	140mm	2 x 570	2700	3.08	24

For further guidance, please contact our Technical Advice Centre on 0115 945 1143.



Timber Frame Roll/Batt



	Product Order Code	Thermal Conductivity (W/mK)	Thermal Resistance (m ² K/W)	Thickness (mm)	Width (mm)	Length (mm)	Pack Area (m ²)	Packs Per Pallet
Roll	5200625573	0.035	2.55	90	2 x 570	5300	6.04	18
	5200625583	0.035	4.00	140	2 x 570	4000	4.56	18
	5200819811	0.035	2.85	100	2 x 570	5000	5.70	18
	5200822660	0.035	4.00	140	3 x 400	4000	4.80	18
	5200625582	0.040	2.25	90	2 x 570	10130	11.55	24
	5200625572	0.040	3.50	140	2 x 570	6500	7.41	24

	Product Order Code	Thermal Conductivity (W/mK)	Thermal Resistance (m ² K/W)	Thickness (mm)	Width (mm)	Length (mm)	Pack Area (m ²)	Packs Per Pallet	Batts Per Pack
Batt	5200625331	0.032	1.55	50	570	1175	6.03	16	9
	5200625329	0.032	2.80	90	570	1175	3.35	20	5
	5200543056	0.032	4.35	140	570	1175	3.35	16	5
	5200625414	0.035	2.55	90	570	1175	6.70	16	10
	5200625335	0.035	2.85	100	570	1175	5.36	16	8
	5200625388	0.035	4.00	140	570	1175	4.02	16	6
	5200625333	0.035	4.25	150	570	1175	4.02	16	6
	5200625341	0.040	2.25	90	570	1175	9.38	20	14
	5200625345	0.040	3.50	140	570	1175	5.36	24	8
	5200625339	0.043	2.05	90	570	1175	8.04	24	12
5200625337	0.043	3.25	140	570	1175	5.36	24	8	

For further guidance, please contact our Technical Advice Centre on 0115 945 1143.



Frame Façade Slab



A low lambda rigid glass mineral wool slab providing increased thermal performance to timber frame constructions. Provides a continuous layer of insulation around the frame, reducing thermal bridging and allowing very low U-values to be achieved.



Product Features and Benefits

- Excellent thermal conductivity – 0.031 W/mK
- Weatherproof breathable facing
- Tongue in groove edge to minimise air gaps at joints

Product Order Code	Thermal Conductivity (W/mK)	Thermal Resistance (m ² K/W)	Thickness (mm)	Width (mm)	Length (mm)	Pack Area (m ²)	Packs Per Pallet	Batts Per Pack
5200543057	0.031	1.60	50	1200	1800	8.64	10	4

For further guidance, please contact our Technical Advice Centre on 0115 945 1143.

Steel Frame Infill Batt



A glass mineral wool batt friction-fitted between the stud framework of lightweight steel frame external walls, providing excellent thermal and acoustic insulation.

Product Features and Benefits

- Excellent thermal solution with Euroclass A1 fire rating
- Excellent acoustic properties – helps minimise flanking sound transmission within the wall cavities
- Supplied in 600mm widths to fit between standard steel framework centres



Product Order Code	Thermal Conductivity (W/mK)	Thermal Resistance (m ² K/W)	Thickness (mm)	Width (mm)	Length (mm)	Batts Per Pack	Pack Area (m ²)	Packs Per Pallet
5200625382	0.036	1.35	50	600	1200	16	11.52	20
5200625384	0.036	2.05	75	600	1200	10	7.20	20
5200625386	0.036	2.75	100	600	1200	8	5.76	20

For further guidance, please contact our Technical Advice Centre on 0115 945 1143.



Acoustic Partition Roll (APR 1200)



A glass mineral wool roll supplied in 600mm and 400mm widths to fit between standard stud and joist spacings. Acoustic Partition Roll (APR 1200) provides high levels of acoustic insulation in walls and floors to meet acoustic requirements in domestic and non-residential applications.



Product Features and Benefits

- Provides high levels of acoustic insulation in partition walls and floors
- Covered by the SpecSure® lifetime system warranty, when used as part of British Gypsum drywall and acoustic floor systems
- Reduces transmission of sound between rooms allowing everyone to enjoy their home to the full
- Helps provide better sound control for today's busy lifestyles

Product Order Code	Thermal Conductivity (W/mK)	Thermal Resistance (m ² K/W)	Thickness (mm)	Width (mm)	Length (mm)	Pack Area (m ²)	Packs Per Pallet
5200625577	0.039	0.60	25	2 x 600	20000	24.00	24
5200625578	0.039	1.25	50	2 x 600	13000	15.60	24
5200625579	0.040	1.60	65	2 x 600	10000	12.00	24
5200625580	0.043	1.70	75	2 x 600	12200	14.64	24
5200625581	0.043	2.30	100	2 x 600	9170	11.00	24

For further guidance, please contact our Technical Advice Centre on 0115 945 1143.



robustdetails®

Acoustic Slab



A glass mineral wool slab supplied in 600mm widths to fit between standard partition stud spacing. Acoustic Slab provides high levels of acoustic performance in wall-lining systems, partitions and modular building applications.

Product Features and Benefits

- Provides high levels of acoustic insulation in internal walls and floors
- Provides additional thermal benefit



Product Order Code	Thermal Conductivity (W/mK)	Thermal Resistance (m ² K/W)	Thickness (mm)	Width (mm)	Length (mm)	Pack Area (m ²)	Packs Per Pallet
5200625433	0.036	1.35	50	600	1200	11.52	20
5200625435	0.036	2.05	75	600	1200	7.20	20
5200625437	0.036	2.75	100	600	1200	5.76	20

For further guidance, please contact our Technical Advice Centre on 0115 945 1143.





A multi-purpose glass mineral wool slab supplied in 600mm and 400mm widths. Ideal for the thermal and acoustic insulation of internal floors, separating floors and pitched roofs at joist level.

Product Features and Benefits

- Thermal conductivity of 0.036 W/mK. Provides excellent thermal performance, reducing heat loss through the building envelope
- Isover glass mineral wool insulation has an A1 Euroclass fire rating - the best attainable
- Manufactured from up to 86% recycled glass
- Friction fits between 600mm and 400mm stud centres with no need for additional fixings

Product Order Code	Thermal Conductivity (W/mK)	Thermal Resistance (m ² K/W)	Thickness (mm)	Width (mm)	Length (mm)	Batts Per Pack	Pack Area (m ²)	Packs Per Pallet
5200819707	0.036	1.35	50	600	1200	16	11.52	20
5200819708	0.036	2.05	75	600	1200	10	7.20	20
5200819710	0.036	2.75	100	600	1200	8	5.76	20
5200819711	0.036	3.85	140	600	1200	6	4.32	16
5200819719	0.036	1.35	50	400	1200	16	7.68	24
5200819716	0.036	2.75	100	400	1200	8	3.84	24
5200819797	0.036	3.85	140	400	1200	6	2.88	20

For further guidance, please contact our Technical Advice Centre on 0115 945 1143.

RD Acoustic Floor Slab



Provides impact sound insulation in separating floor constructions. Specifically developed to meet the generic description for a resilient layer in platform floor systems described in the Robust Detail solutions manual that supplements Part E Building Regulations.

Product Features and Benefits

- Excellent acoustic properties for impact sound insulation
- High quality stone mineral wool
- Robust flexible material properties

Product Order Code	Thermal Conductivity (W/mK)	Thermal Resistance (m ² K/W)	Thickness (mm)	Width (mm)	Length (mm)	Pack Area (m ²)	Packs Per Pallet
5200013705	0.037	0.65	25	625	1200	4.5	21

For further guidance, please contact our Technical Advice Centre on 0115 945 1143.

Sound Deadening Floor Slab



A stone mineral wool slab designed to provide impact sound deadening performance in Type 3 timber base separating floors, as described in UK Acoustic Building Regulations.

Product Features and Benefits

- Excellent acoustic properties for impact sound insulation
- High quality stone mineral wool
- Robust flexible material properties

Product Order Code	Thermal Conductivity (W/mK)	Thermal Resistance (m ² K/W)	Thickness (mm)	Width (mm)	Length (mm)	Batts Per Pack	Pack Area (m ²)	Packs Per Pallet
5200013704	0.034	0.70	25	625	1200	8	6.00	18

For further guidance, please contact our Technical Advice Centre on 0115 945 1143.

Sound Deadening Floor Roll



A glass mineral wool roll designed to provide the resilient layer specification for Type 2 concrete base intermediate separating floors, with either timber or screed floating layers, as described in UK Acoustic Building Regulations.



Product Features and Benefits

- Excellent acoustic properties for impact sound insulation
- High quality mineral wool - Easy to handle, cut and install
- Faced with Kraft paper for added strength and resilience

Product Order Code	Thickness (mm)	Width (mm)	Length (mm)	Pack Area (m ²)	Packs Per Pallet
5200625378	25	1200	10000	12.00	24

For further guidance, please contact our Technical Advice Centre on 0115 945 1143.

Cladding Roll

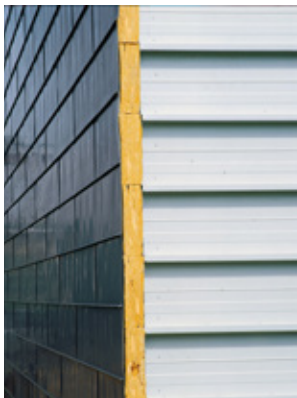


Thermal insulation for metallic walls and roofs. A glass mineral wool roll with exceptional durability and tear strength. The product is supplied in 1200mm wide rolls to ensure minimal cutting and waste.

Cladding Roll provides improved thermal and acoustic performance for metallic wall and roof applications.

Product Features and Benefits

- Thermal conductivity of 0.040 W/mK
- Excellent acoustic properties – helps to reduce the internal ambient noise levels during heavy rainfall
- 1200mm wide unsplit glass mineral wool rolls – enables quick coverage of large areas



Cladding Roll



Product Order Code	Thermal Conductivity (W/mK)	Thermal Resistance (m ² K/W)	Thickness (mm)	Width (mm)	Length (mm)	Pack Area (m ²)	Packs Per Pallet
5200625408	0.040	2.00	80	1200	10200	12.24	24
5200625400	0.040	2.50	100	1200	8200	9.84	24
5200625402	0.040	3.00	120	1200	6800	8.16	24
5200625410	0.040	3.50	140	1200	5850	7.02	24
5200625412	0.040	4.00	160	1200	5100	6.12	24
5200625404	0.040	4.50	180	1200	4500	5.40	24
5200625406	0.040	5.00	200	1200	4100	4.92	24

For further guidance, please contact our Technical Advice Centre on 0115 945 1143.



Building Regulations

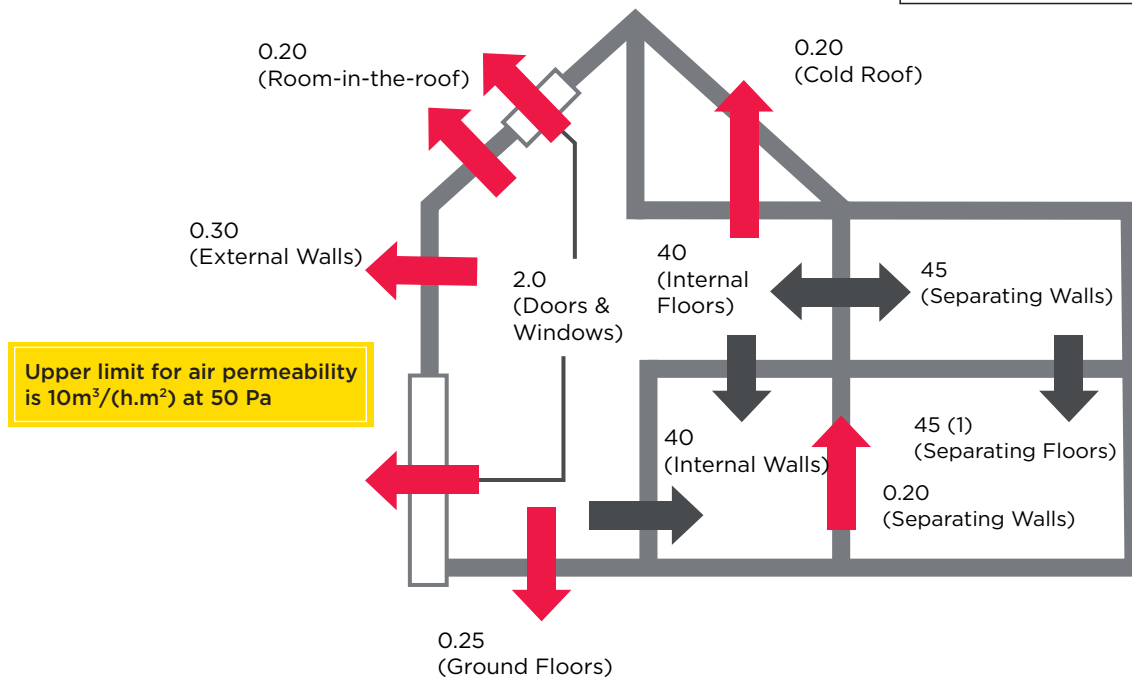


England

New Dwellings - Thermal and Acoustic

Minimum standards for U-values and Sound Insulation

Thermal		W/m^2K
Acoustic (Airborne)		dB
Internal = dB (R_w)		
Separating = dB ($D_{nT,w} + C_{tr}$)		



(1) Maximum impact sound insulation of 62 dB ($L'_{nT,w}$) also required for Separating Floors

Building Regulations

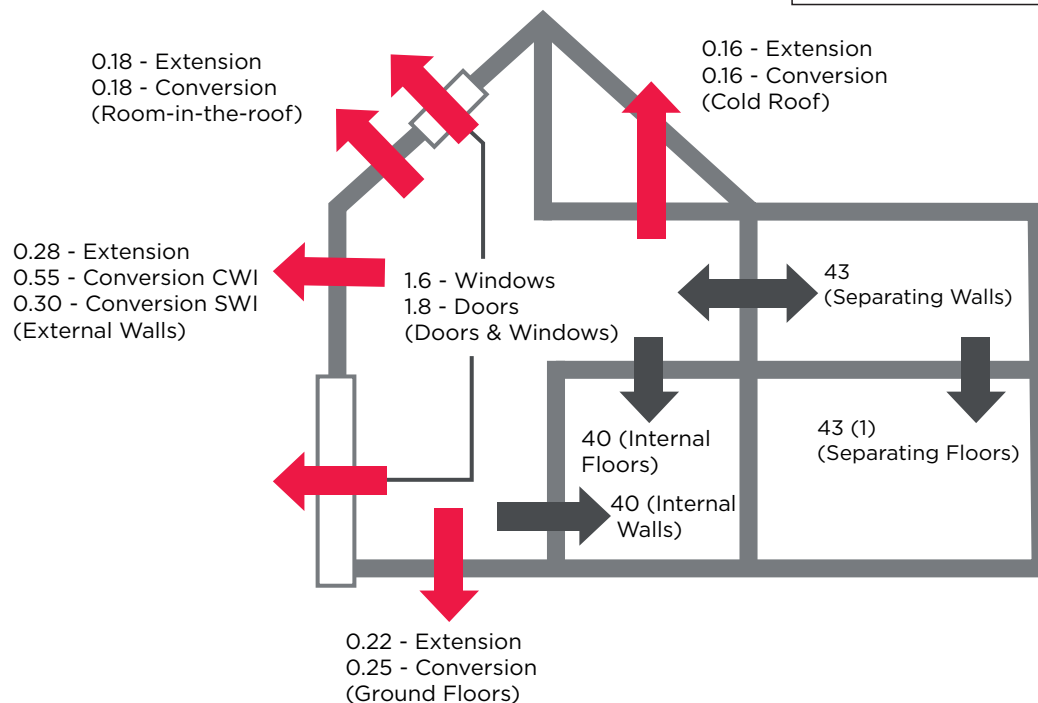


England

Existing Dwellings / Renovation

Minimum standards for U-values and Sound Insulation

Thermal		W/m ² K
Acoustic (Airborne)		dB
Internal = dB (R _w)		
Separating = dB (D _{nt,w} + C _{tr})		



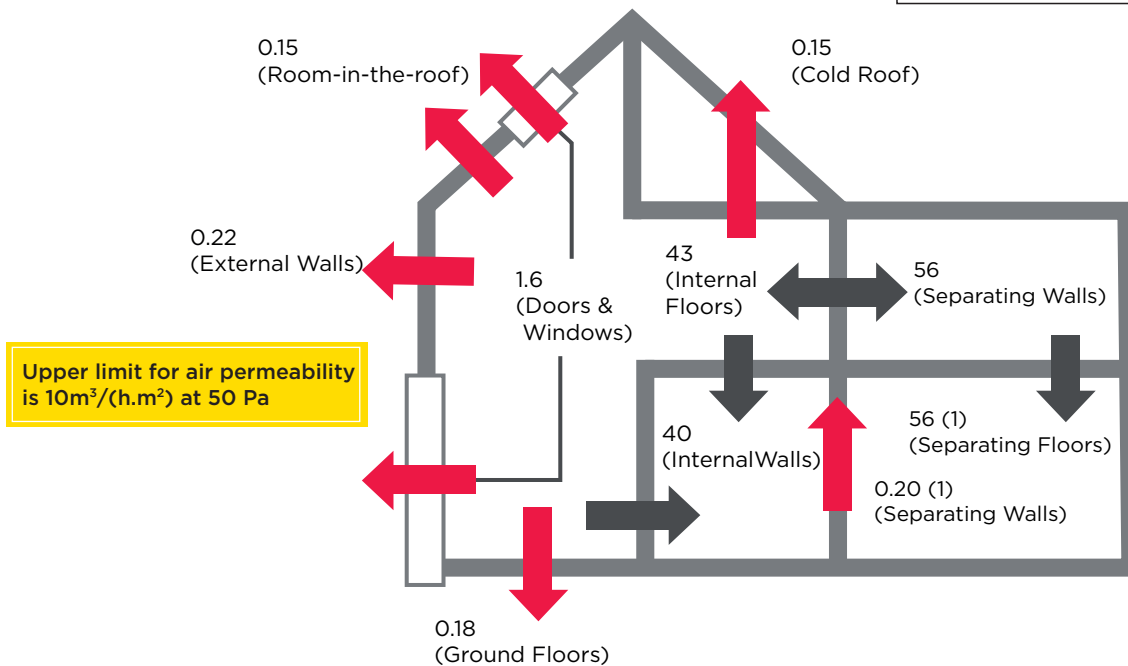
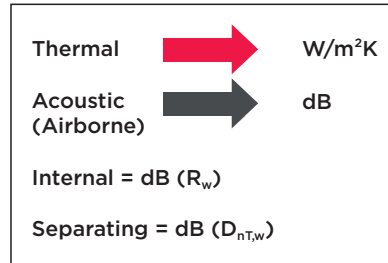
(1) Maximum impact sound insulation of 64 dB (L'_{nt,w}) also required for Separating Floors



Scotland

New Dwellings - Thermal and Acoustic

Minimum standards for U-values and Sound Insulation



(1) Maximum impact sound insulation of 56 dB (L_{nT,w}) also required for Separating Floors

Building Regulations

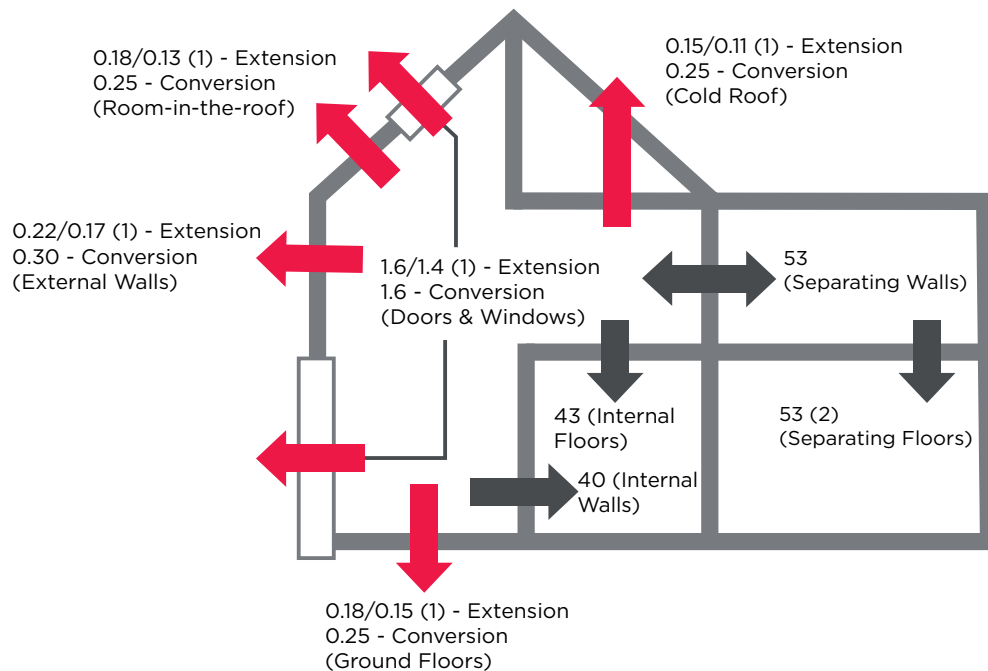


Scotland

Existing Dwellings / Renovation

Minimum standards for U-values and Sound Insulation

Thermal		W/m ² K
Acoustic (Airborne)		dB
Internal = dB (R_w)		
Separating = dB ($D_{nT,w}$)		



- (1) Lower U-value is required when existing wall and roof U-values are less than 0.70 and 0.25 respectively
 (2) Maximum impact sound insulation of 58 dB ($L'_{nT,w}$) also required for Separating Floors

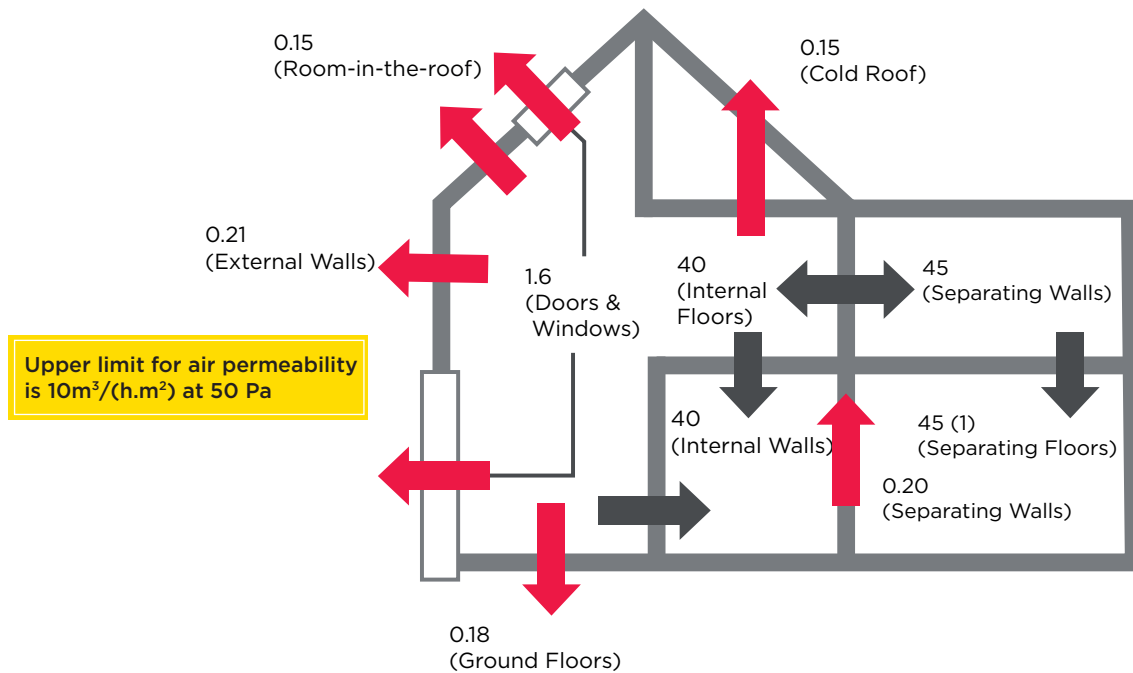


Wales

New Dwellings - Thermal and Acoustic

Minimum standards for U-values and Sound Insulation

Thermal		W/m ² K
Acoustic (Airborne)		dB
Internal = dB (R_w)		
Separating = dB ($D_{nT,w} + C_{tr}$)		



(1) Maximum impact sound insulation of 62 dB ($L'_{nT,w}$) also required for Separating Floors

Building Regulations

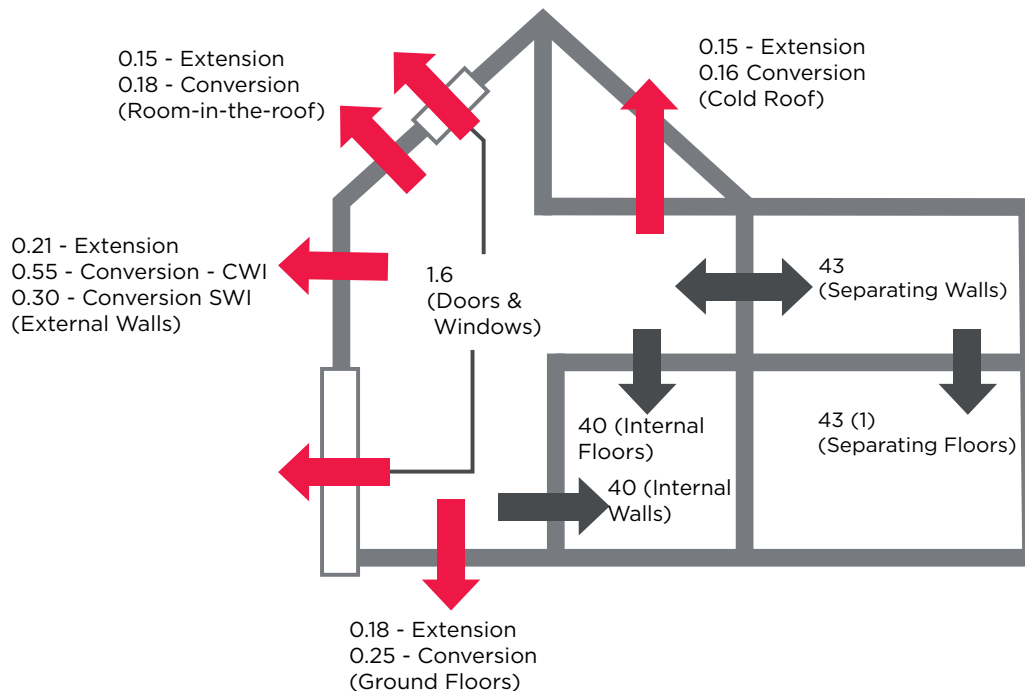


Wales

Existing Dwellings / Renovation

Minimum standards for U-values and Sound Insulation

Thermal		W/m^2K
Acoustic (Airborne)		dB
Internal = dB (R_w)		
Separating = dB ($D_{nT,W} + C_{tr}$)		



(1) Maximum impact sound insulation of 64 dB ($L'_{nT,W}$) also required for Separating Floors

Notes



Isover

White House Industrial Estate,
Runcorn, Cheshire WA7 3DP

Customer Service

Tel: 0800 032 2555
isovercustomerservice@saint-gobain.com

Technical Advice Centre

Tel: 0115 945 1143
isover.enquiries@saint-gobain.com

isover.co.uk

Published date: August 2019
Document reference: IS-IH-1902

Isover reserves the right to revise product specifications without notice. The information in this document was correct to the best of our knowledge at the time of publication. It is the user's responsibility to ensure that it remains current prior to use. The information in this document is for guidance only and should not be read in isolation. Users should read and familiarise themselves with all the information contained in this document and ensure that they are fully conversant with the products and systems being used, before subsequent specification or installation. For a comprehensive and up to date library of information, visit the Isover website.