



control systems

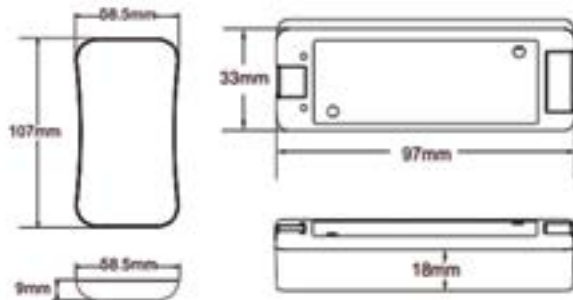
LED CONTROLLER SETS
RF DIM/CCT CONTROL SYSTEMS
RF RGB+CCT CONTROL SYSTEMS
DMX512 SERIES

Single Color LED Controller Set V1 + R6-1

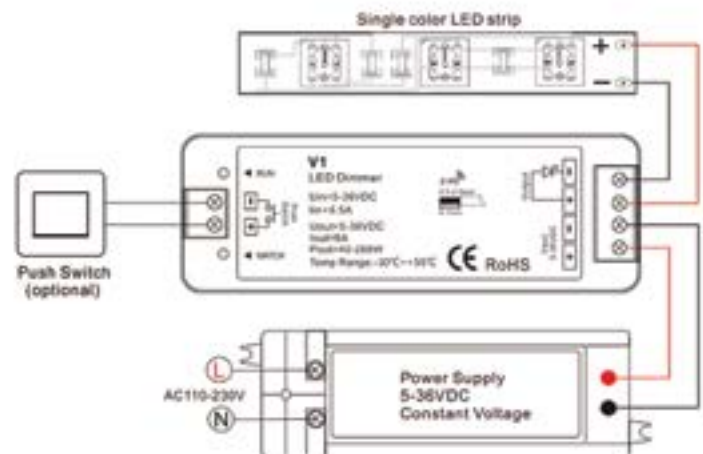
- Mini-style RF dimmer, 1 channel constant voltage output.
- Smooth dimming and switching
- 2.4GHz wireless technology
- Remote distance up to 30m
one receiver can accept up to 10 remote controllers
- WiFi controllable by apps available on both IOS and Android OS.
- Can connect with external push switch to achieve on/off and dimming function



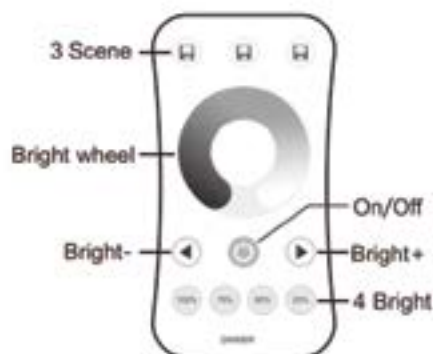
Dimensions:



Wiring diagram:



Remote functions



- On/Off: Turn the light on/off
 Bright wheel: Touch and drag to adjust brightness
 Bright-/Bright+: Adjusting brightness- short press-10 levels/
 press and hold-256 levels
 4 bright: Choose preset brightness intensity
 3 scene: Short press- run the scene/
 press and hold- save the scene

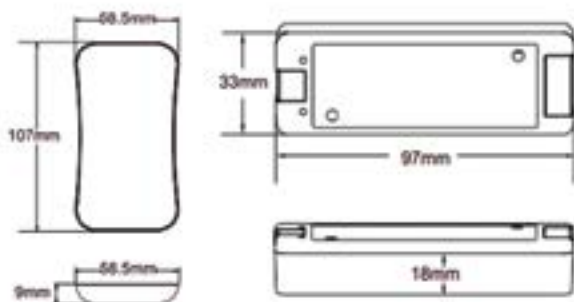


Dual Color LED Controller Set V2 + R7-1

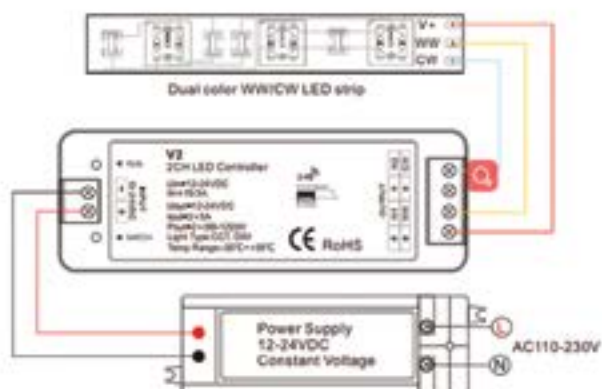


- Mini-style RF dimmer, 2 channel constant voltage output.
- Dual color (WW/CW) controller
- Smooth dimming and switching
- 2.4GHz wireless technology
- Remote distance up to 30m
- one receiver can accept up to 10 remote controllers
- WiFi controllable by apps available on both IOS and Android OS.
- Can connect with external push switch to achieve on/off and dimming function

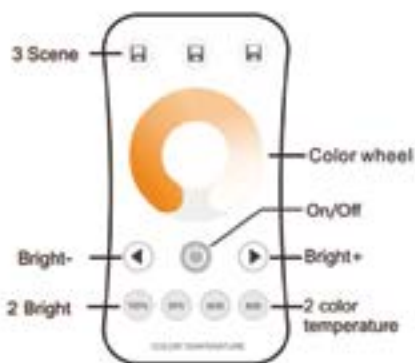
Dimensions:



Wiring diagram:



Remote functions



On/Off: Turn the light on/off
 Color wheel: Touch and drag to change color temperature
 Bright-/Bright+: Adjusting brightness
 - short press-10 levels/ press and hold -256 levels

100%,50%: 100% or 50% brightness
 WW: Warm white
 CW: Cold white
 3 scene: Short press- run the scene/ press and hold- save the scene

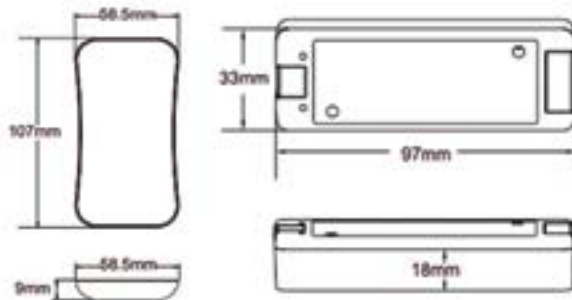


RGB LED Controller Set V3 + R8-1

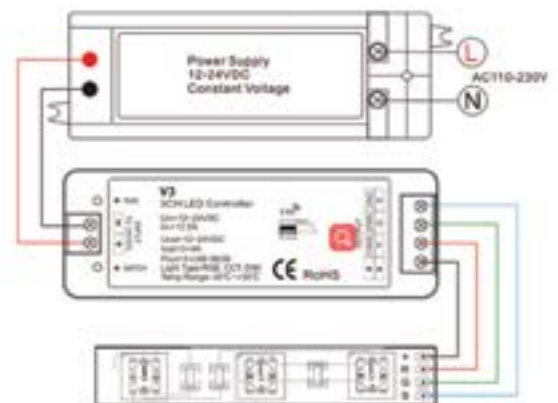
- Mini-style controller with 3 channel constant voltage output
- Smooth dimming and switching
- 2.4GHz wireless technology
- Full compatibility with a variety of RGB remotes
- Built in 10 modes include jump or gradual change of style
- WiFi controllable by apps available on both IOS and Android OS.
- Auto-synchronization function, different receivers can work synchronously when controlled by the same remote, under same dynamic mode and speed.
- User can customize own RGB change mode list via app for advanced function.



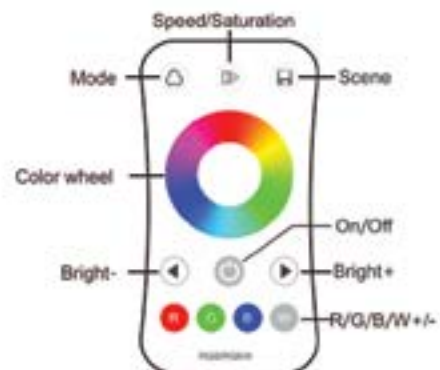
Dimensions:



Wiring diagram:



Remote functions



On/Off: Turn the light on/off

Color wheel: Touch and drag to change static RGB color

Bright-/Bright+: Adjusting brightness -short press-10 levels/ press and hold -256 levels

Mode: Short press to run the next mode, long press to run mode cycle

Speed/Saturation: For dynamic mode, adjust speed, short press for 10 levels, long press for default speed

R/G/B: Adjust R/G/B brightness, short press turn on/off, long press 256 levels adjustment

W+/-: Short press turn on/off white (RGB mix), long press 256 levels adjust saturation

Scene: Short press to run the scene, press and hold to save

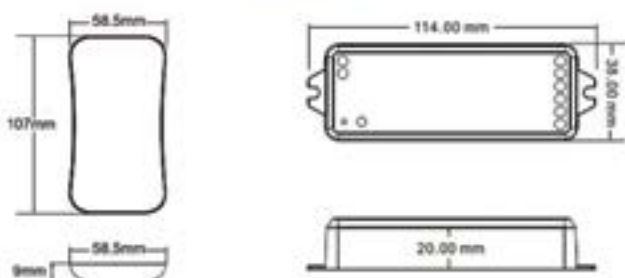


RGB LED Controller Set VP + R8-1

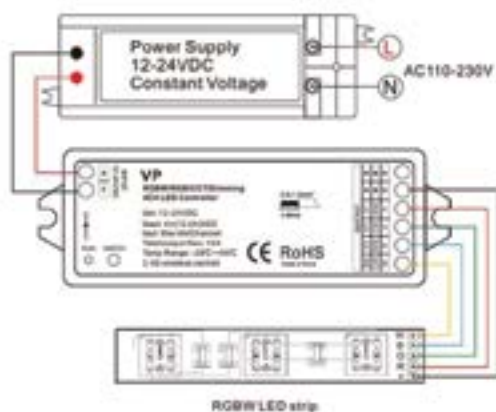


- Mini-style controller with 4 channel constant voltage output
- Smooth dimming and switching
- 2.4GHz wireless technology
- Full compatibility with a variety of RGB remotes
- Built in 10 modes include jump or gradual change of style
- WiFi controllable by apps available on both IOS and Android OS.
- Auto-synchronization function, different receivers can work synchronously when controlled by the same remote, under same dynamic mode and speed.
- User can customize own RGB change mode list via app for advanced function.

Dimensions:



Wiring diagram:



Technical parameter

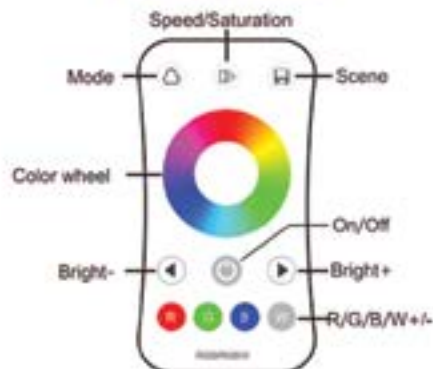
LED Remote

- Output signal: RF (2.4GHz)
- Working voltage: 3VDC(CR2032)
- Standby time: 12 months
- Remote distance: 30m
- Size: L137*W58.5*H9mm

LED Receiver

- Input voltage: 12-24VDC
- Output type: PWM constant voltage
- Output current: max 6A/CH, Total max 15A
- Size: L114*W38*H20mm

Remote functions



On/Off: Turn the light on/off

Color wheel: Touch and drag to change static RGB color

Bright-/Bright+: Adjusting brightness -short press-10 levels/ press and hold -256 levels

Mode: Short press to run the next mode, long press to run mode cycle

Speed/Saturation: For dynamic mode, adjust speed, short press for 10 levels, long press for default speed

R/G/B: Adjust R/G/B brightness, short press turn on/off, long press 256 levels adjustment

W+/-: Short press turn on/off white (RGB mix), long press 256 levels adjust saturation

Scene: Short press to run the scene, press and hold to save

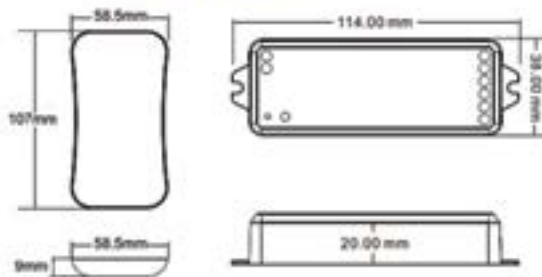


RGB LED Strip Controller Set V5-M + R17

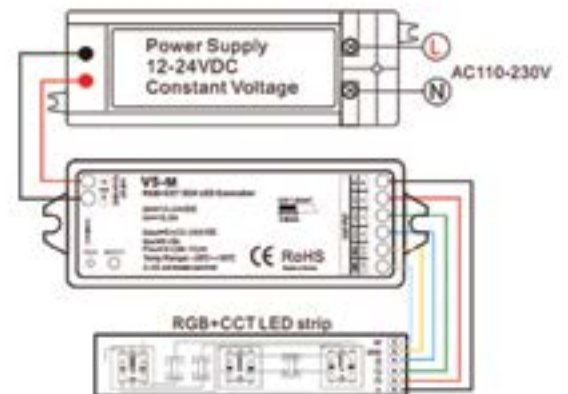
- Mini-style controller with 5 channel constant voltage output (R/G/B/WW/CW)
- Smooth dimming and switching
- 2.4GHz wireless technology
- Full compatibility with a variety of RGB remotes
- Built in 10 modes include jump or gradual change of style
- WiFi controllable by apps available on both IOS and Android OS.
- Auto-synchronization function, different receivers can work synchronously when controlled by the same remote, under same dynamic mode and speed.
- User can customize own RGB change mode list via app for advanced function.



Dimensions:



Wiring diagram:



Technical parameter

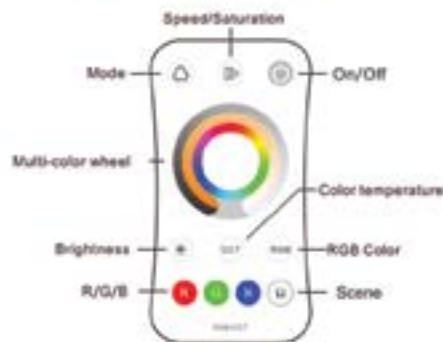
LED Remote

- Output signal: RF(2.4GHz)
- Working voltage : 3VDC(CR2032)
- Standby time: 12 months
- Remote distance: 30m
- Size: L107*W58.5*H9mm

LED Receiver

- Input voltage: 12-24VDC
- Output type: PWM constant voltage
- Output current: max 6A/CH, Total max 15A
- Size: L114*W28*H20mm

Remote functions



On/Off: Turn the light on/off

Mode: Switch dynamic RGB mode, short press to run the next mode, long press to run mode cycle

Speed/Saturation: For dynamic rRGB mode, adjust mode speed, short press for 10 levels, long press for default speed

Brightness: Adjust brightness, short press 11 levels, long press - max. or min. brightness/ at the same time multi-color wheel becomes brightness wheel

CCT: Adjust color temperature-short press 11 levels/long press get max. or min. color temperature



R/G/B: Short press -red/green/blue - long press- 256 levels adjust R/G/B brightness

Scene: Short pres to run the scene, long press to save

Multi-color wheel:

When it is **brightness** wheel, touch to change brightness.

When it is **color temperature** wheel, touch to change color temperature.

When it is **RGB color** wheel, touch to change RGB color.



1 Zone RF 2.4G LED Dimming Remote

- Output signal: RF(2.4GHz)
- Working voltage: 3VDC(AAA*2pcs)
- Working current: <20mA
- Standby current: <10µA
- Standby time: 12 months
- Remote distance: 30m
- Working temperature: -30℃~55℃
- Dimension: L122×W53×H17.5mm
- Weight: 60g



- : Turn on/off light.
- : Touch to change brightness.
- + - : Adjust brightness, short press 10 levels, long press 1-5s continuous 256 levels adjustment.
- : Small night brightness (10%).
- ⊖ : Turn off light after 30s.
- ② ③ ④ ⑤ : 25%, 50%, 75%, 100% brightness.
- ⑥ ⑦ ⑧ ⑨ : Short press run the scene, long press 2s save.

- Apply to single color, dual color, RGB, RGBW or RGB+CCT LED controller or smart lamp.
- Ultra sensitive color adjustment touch wheel.
- Adopt 2.4GHz wireless technology, remote distance up to 30m.
- Each remote can match one or more receiver.
- Battery powered (2 x AAA).
- Operate with LED indicator light.

4 Zones RF 2.4G LED Dimming Remote



- RTS is default as 4 zone dimming remote, also can be used as single zone 4 channel dimming remote.
- + 4 : Long press 2s set as 4 channel dimming remote, match with one receiver of 4 channel, such as V4 or C4 controller.
 - + 1 : Long press 2s set as 4 zone dimming remote, match with four dimming receivers. When remote type change OK, the green indicator go on a long time.
 - : Short press turn on/off current zone light, long press 2s turn off all zone light.
 - : Touch to change current zone brightness.
 - 1 2 3 4 : Short press select and turn on zone light, long press 2s turn off zone light. Continuous short press multiple zone key can synchronous select multiple zone.
 - ② ③ ④ ⑤ : 25%, 50%, 75%, 100% brightness for current selected zone.
 - ⑥ ⑦ ⑧ ⑨ : Short press run the scene, long press 2s save, 4 zone or channel run or save synchronously.

- Output signal: RF(2.4GHz)
- Working voltage: 3VDC(AAA*2pcs)
- Working current: <20mA
- Standby current: <10µA
- Standby time: 6 months
- Remote distance: 30m
- Working temperature: -30℃~55℃
- Dimension: L122×W53×H17.5mm
- Weight: 135g

- Apply to single color, dual color, RGB, RGBW or RGB+CCT LED controller or smart lamp.
- White and black color available.
- Adopt 2.4GHz wireless technology, remote distance up to 30m.
- Each remote can match one or more receiver.
- Battery powered (2 x AAA).
- Operate with LED indicator light.

1 Zone RF 2.4G LED Color Temperature Remote



-  : Turn on/off light.
-  : Touch to change color temperature.
-  : Adjust brightness, short press 10 levels, long press 1-5s continuous 256 levels adjustment.
-  : Adjust color temperature, short press 11 levels, long press 1-5s continuous 256 levels adjustment.
-  : 25%, 50%, 75%, 100% brightness.
-  : Short press run the scene, long press 2s save.







- Output signal: RF(2.4GHz)
- Working voltage: 3VDC(AAA*2pcs)
- Working current: <20mA
- Standby current: <10μA
- Standby time: 6 months
- Remote distance: 30m
- Working temperature: -30℃~55℃
- Dimension: L122×W53×H17.5mm
- Weight: 135g

- Apply to single color, dual color, RGB, RGBW or RGB+CCT LED controller or smart lamp.
- Adopt 2.4GHz wireless technology, remote distance up to 30m.
- Each remote can match one or more receiver.
- Operate with LED indicator light.
- White and black color available.

4 Zones RF 2.4G LED Color Temperature Remote

- Output signal: RF(2.4GHz)
- Working voltage: 3VDC(AAA*2pcs)
- Working current: <20mA
- Standby current: <10μA
- Standby time: 6 months
- Remote distance: 30m
- Working temperature: -30℃~55℃
- Dimension: L122×W53×H17.5mm
- Weight: 135g



-  : Short press turn on/off current zone light, long press 2s turn off all zone light.
-  : Touch to change current zone color temperature.
-  : Short press select and turn on zone light, long press 2s turn off zone light. Continuous short press multiple zone key, can synchronous select multiple zone.
-  : Adjust brightness for current selected zone, short press 10 levels, long press 1-5s continuous 256 levels adjustment.
-  : Adjust color temperature for current selected zone, short press 11 levels, long press 1-5s continuous 256 levels adjustment.
-  : Short press run the scene, long press 2s save, 4 zone run or save synchronously.

- Apply to single color, dual color, RGB, RGBW or RGB+CCT LED controller or smart lamp.
- Adopt 2.4GHz wireless technology, remote distance up to 30m.
- Each remote can match one or more receiver.
- Operate with LED indicator light.
- White and black color available.

1 Zone RF 2.4G LED Dimming Remote

- Output signal: RF(2.4GHz)
- Working voltage: 3VDC(AAA*2pcs)
- Working current: <20mA
- Standby current: R6,R6-1:<10 μ A
R11,R16,R21:>4 μ A
- Standby time: R6,R6-1: 6 months
R11,R16,R21: 12 months
- Remote distance: 30m
- Working temperature: -30 $^{\circ}$ C~55 $^{\circ}$ C
- Dimension: L107*W58*H9mm
- Weight: 34g



- ☰ Turn on/off light.
- ☉ Touch to change brightness.
- ◀ ▶ Adjust brightness, short press 10 levels, long press 1-5s continuous 256 levels adjustment.
- ⊞ ⊞ ⊞ ⊞ Get 4 kinds brightness directly.
- ☰ ☰ ☰ Short press run the scene, long press 2s save.

- Match with our single color controllers or smart LED lamps.
- Single zone, four zone and eight zone version are available.
- Adopt 2.4GHz wireless technology, remote distance up to 30m.
- CR2032 button battery power supply.
- Operate with LED indicator light.
- Each remote can match one or more receiver.

4 Zones RF 2.4G LED Dimming Remote



- ☰ Short press turn on/off current zone light, long press 2s turn off all zone light.
- ☉ Touch to change current zone brightness.
- ◀ ▶ Adjust brightness, short press 10 levels, long press 1-5s continuous 256 levels adjustment.
- 1 2 3 4 Short press select and turn on zone light, long press 2s turn off zone light. Continuous short press multiple zone key, can synchronous select multiple zone.
- ☰ ☰ ☰ Short press run the scene, long press 2s save.

- Output signal: RF(2.4GHz)
- Working voltage: 3VDC(AAA*2pcs)
- Working current: <20mA
- Standby current: R6,R6-1:<10 μ A
R11,R16,R21:>4 μ A
- Standby time: R6,R6-1: 6 months
R11,R16,R21: 12 months
- Remote distance: 30m
- Working temperature: -30 $^{\circ}$ C~55 $^{\circ}$ C
- Dimension: L107*W58*H9mm
- Weight: 34g

- Match with our single color controllers or smart LED lamps.
- Single zone, four zone and eight zone version are available.
- Adopt 2.4GHz wireless technology, remote distance up to 30m.
- CR2032 button battery power supply.
- Operate with LED indicator light.
- Each remote can match one or more receiver.

1 Zone RF 2.4G LED Color Temperature Remote



- : Turn on/off light.
- : Touch to change color temperature.
- : Adjust brightness, short press 10 levels, long press 1-5s continuous 256 levels adjustment.
- : Get 100% or 50% brightness directly.
- : Get warm white directly.
- : Get cold white directly.
- : Short press run the scene, long press 2s save.

- Output signal: RF(2.4GHz)
- Working voltage: 3VDC(AAA*2pcs)
- Working current: <20mA
- Remote distance: 30m
- Working temperature: -30℃~55℃
- Dimension: L107×W58.5×H9mm
- Weight: 34g

- Match with our dual color controllers or smart LED lamps.
- Single zone, four zone and eight zone version are available.
- Adopt 2.4GHz wireless technology, remote distance up to 30m.
- CR2032 button battery power supply.
- Operate with LED indicator light.
- Each remote can match one or more receiver.

4 Zones RF 2.4G LED Color Temperature Remote

- Output signal: RF(2.4GHz)
- Working voltage: 3VDC(AAA*2pcs)
- Working current: <20mA
- Remote distance: 30m
- Working temperature: -30℃~55℃
- Dimension: L107×W58.5×H9mm
- Weight: 34g

- : Turn on/off light.
- : Touch to change current zone color temperature.
- : Adjust brightness, short press 10 levels, long press 1-5s continuous 256 levels adjustment.
- : Short press select and turn on zone light, long press 2s turn-off zone light. Continuous short press multiple zone key, can synchronous select multiple zone.
- : Short press run the scene, long press 2s save.



- Match with our dual color controllers or smart LED lamps.
- Single zone, four zone and eight zone version are available.
- Adopt 2.4GHz wireless technology, remote distance up to 30m.
- CR2032 button battery power supply.
- Operate with LED indicator light.
- Each remote can match one or more receiver.

4 Zones RF 2.4G LED Dimming Remote



- Output signal: RF (2.4GHz)
- Working voltage: 3VDC (AAA*2pcs)
- Working current: <20mA
- Standby current: <10 μ A
- Standby time: 12 months
- Remote distance: 30m
- Working temperature: -30 $^{\circ}$ C~55 $^{\circ}$ C
- Dimension: L155 \times W43 \times H17.5mm
- Weight: 156g

- Apply to single color LED controller, dimming driver or smart lamp.
- Ultra sensitive color adjustment touch wheel.
- Adopt 2.4GHz wireless technology, remote distance up to 30m.
- Each remote can match one or more receiver.
- Battery powered (2 x AAA).
- Operate with LED indicator light.

4 Channel RF 2.4G LED Dimming Remote



- Output signal: RF (2.4GHz)
- Working voltage: 3VDC (AAA*2pcs)
- Working current: <20mA
- Standby current: <10 μ A
- Standby time: 12 months
- Remote distance: 30m
- Working temperature: -30 $^{\circ}$ C~55 $^{\circ}$ C
- Dimension: L155 \times W43 \times H17.5mm
- Weight: 156g



- Apply to single color LED controller, dimming driver or smart lamp.
- Ultra sensitive color adjustment touch wheel.
- Adopt 2.4GHz wireless technology, remote distance up to 30m.
- Each remote can match one or more receiver.
- Battery powered (2 x AAA).
- Operate with LED indicator light.

4 Zones RF 2.4G LED Color Temperature Remote



- Output signal: RF(2.4GHz)
- Working voltage: 3VDC(AAA*2pcs)
- Working current: <20mA
- Standby current: <10μA
- Standby time: 12 months
- Remote distance: 30m
- Working temperature: -30℃~55℃
- Dimension: L155×W43×H17.5mm
- Weight: 156g



- Apply to dual color LED controller, dimming driver or smart lamp.
- Ultra sensitive color adjustment touch wheel.
- Adopt 2.4GHz wireless technology, remote distance up to 30m.
- Each remote can match one or more receiver.
- Battery powered (2 x AAA).
- Operate with LED indicator light.

1 Zone RF 2.4G LED Dimming Remote



- Output signal: RF(2.4GHz)
- Working voltage: 3VDC(AAA*2pcs)
- Working current: <20mA
- Standby current: <10μA
- Standby time: 12 months
- Remote distance: 30m
- Working temperature: -30℃~55℃
- Dimension: L135×W40×H11mm
- Weight: 156g

- Adopt 2.4GHz wireless technology, remote distance up to 30m.
- Can match one or more controller or smart lamps.
- CR2032 button battery power supply.
- Operate with LED indicator light.
- White and black color available for chosen

4 Zones RF 2.4G LED Dimming Remote



- Output signal: RF(2.4GHz)
- Working voltage: 3VDC(AAA*2pcs)
- Working current: <20mA
- Standby current: <10μA
- Standby time: 12 months
- Remote distance: 30m
- Working temperature: -30℃~55℃
- Dimension: L135×W40×H11mm
- Weight: 41g

- Adopt 2.4GHz wireless technology, remote distance up to 30m.
- Can match one or more controller or smart lamps.
- CR2032 button battery power supply.
- Operate with LED indicator light.
- White and black color available for chosen.

1 Zone RF 2.4G LED Color Temperature Remote



- Output signal: RF(2.4GHz)
- Working voltage: 3VDC(AAA*2pcs)
- Working current: <20mA
- Standby current: <4μA
- Standby time: 12 months
- Remote distance: 30m
- Working temperature: -30℃~55℃
- Dimension: L135×W40×H11mm
- Weight: 41g



- Adopt 2.4GHz wireless technology, remote distance up to 30m.
- Can match one or more controller or smart lamps.
- CR2032 button battery power supply.
- Operate with LED indicator light.

4 Zones RF 2.4G LED Dimming Remote



- Output signal: RF(2.4GHz)
- Working voltage: 3VDC(AAA*2pcs)
- Working current: <20mA
- Standby current: <4μA
- Standby time: 12 months
- Remote distance: 30m
- Working temperature: -30℃~55℃
- Dimension: L115×W53×H18mm
- Weight: 60g



- Turn on/off all 4 zones or channel light.
- Adjust current zone or channel brightness/ short press 10 levels, long press 256 levels adjustment. Turn on/off zone or channel light/at the same time- select current zone or channel.
- Continuous short press multiple Zone/CH on key- synchronous select multiple zone or channel.
- Short press run the scene, long press 2s save, 4 zone or channel run or save synchronously.

- Apply to single color LED lamp, switch or adjust the brightness.
- Can set as 4 zone dimming or 4 channel dimming remoter.
- Adopt 2.4GHz wireless technology, remote distance up to 30m.
- Can match one or more controller or smart lamps.
- Operate with LED indicator light.

4 Zones RF 2.4G LED CCT Remote



- Turn on/off all 4 zone lights.
- Adjust current zone brightness/ short press 10 levels, long press 256 levels adjustment.
- Adjust current zone color temperature/ short press 11 levels, long press 256 levels adjustment.
- Turn on/off zone light, at the same time- select current zone. Continuous short press multiple Zone on key will synchronous select multiple zones.
- Short press run the scene, long press 2s save, 4 zone or save synchronously.

- Output signal: RF(2.4GHz)
- Working voltage: 3VDC(AAA*2pcs)
- Working current: <20mA
- Standby current: <4μA
- Standby time: 12 months
- Remote distance: 30m
- Working temperature: -30℃~55℃
- Dimension: L115×W53×H18mm
- Weight: 60g

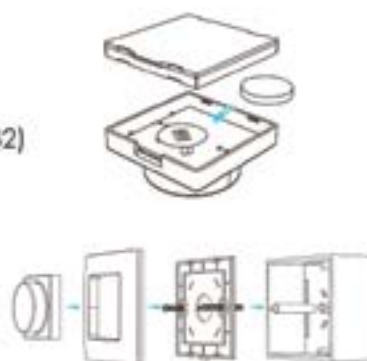


- Apply to single color LED lamp, switch or adjust the brightness.
- Can set as 4 zone dimming or 4 channel dimming remoter.
- Adopt 2.4GHz wireless technology, remote distance up to 30m.
- Can match one or more controller or smart lamps.
- Operate with LED indicator light.

RF 2.4G LED Dimming Remote



- Output signal: RF(2.4GHz)
- Working voltage: 3VDC(CR2032)
- Working current: <math>< 20\text{mA}</math>
- Standby current: <math>< 4\mu\text{A}</math>
- Standby time: 12 months
- Remote distance: 30m

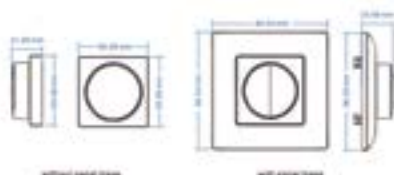


- Apply to single color, dual color, RGB LED controller, dimming driver or smart lamp.
- Adopt 2.4GHz wireless technology, remote distance up to 30m.
- Each remote can match one or more receiver.
- CR2032 button battery power supply.
- Removeable and stick anywhere easily, or mount on wall use panel base.

RF 2.4G LED Colour Temperature Remote

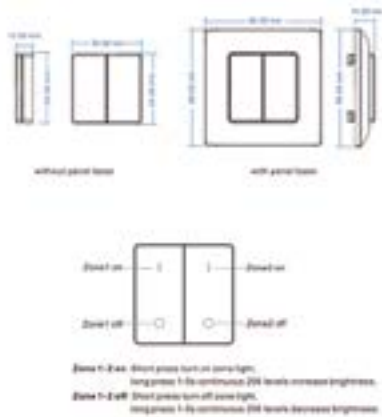


- Output signal: RF(2.4GHz)
- Working voltage: 3VDC(CR2032)
- Working current: <math>< 20\text{mA}</math>
- Standby current: <math>< 4\mu\text{A}</math>
- Standby time: 12 months
- Remote distance: 30m



- Apply to single color, dual color, RGB LED controller, dimming driver or smart lamp.
- Adopt 2.4GHz wireless technology, remote distance up to 30m.
- Each remote can match one or more receiver.
- CR2032 button battery power supply.
- Removeable and stick anywhere easily, or mount on wall use panel base.

Touch Panel 2 zone single color dimming remote



- Output signal: RF(2.4GHz)
- Working voltage: 3VDC(CR2032)
- Working current: <20mA
- Standby current: <4μA
- Standby time: 12 months
- Remote distance: 30m

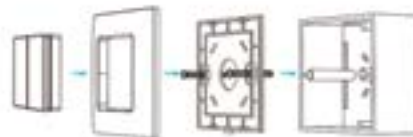
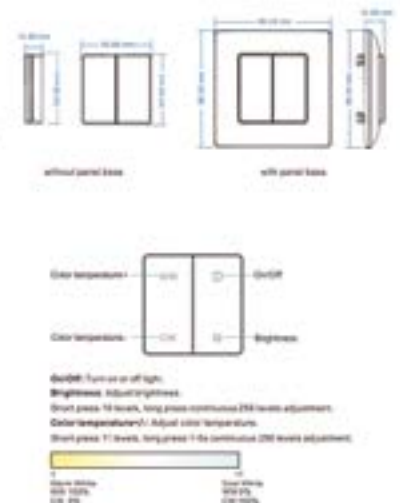


- Apply to single color, dual color, RGB or RGBW LED controller, dimming driver or smart lamp.
- Adopt 2.4GHz wireless technology, remote distance up to 30m.
- Each remote can match one or more receiver.
- CR2032 button battery power supply.
- Removeable and stick anywhere easily, or mount on wall use panel base.

Touch Panel Color temperature remote



- Output signal: RF(2.4GHz)
- Working voltage: 3VDC(CR2032)
- Working current: <20mA
- Standby current: <4μA
- Standby time: 12 months
- Remote distance: 30m

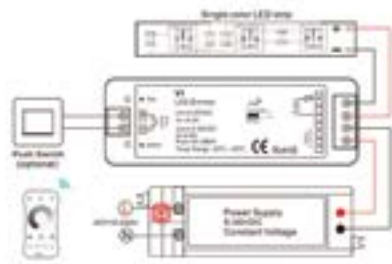


- Apply to single color, dual color, RGB or RGBW LED controller, dimming driver or smart lamp.
- Adopt 2.4GHz wireless technology, remote distance up to 30m.
- Each remote can match one or more receiver.
- CR2032 button battery power supply.
- Removeable and stick anywhere easily, or mount on wall use panel base.

1CH 8A Constant Voltage RF 2.4G Receiver (push-dim) V1



- Input voltage: 5-36VDC
- Output power: 5V, Max 40W 12V, Max 96W 24V, Max 192W 36V, Max 288W
- Output current: 1CH, 8A/CH
- Size: L97×W33×H18mm

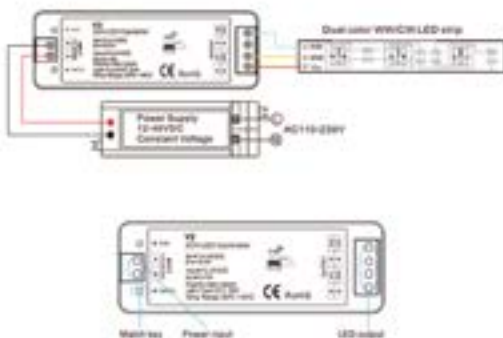


- Mini-style RF dimmer, one channel constant voltage output.
- RF dimmer matches with a variety of dimming remotes.
- Smooth dimming and switching.
- 2.4GHz wireless technology, remote distance up to 30m.
- One RF dimmer can accept up to 10 remote controls.
- Auto-transmitting function, one receiver can transmit the signal from the remote to another receiver within 15m, so the remote control distance can be beyond 100m.
- WiFi controllable via app installed on IOS or Android mobile devices while working with WiFi-Relay controller.
- Can connect with external push switch to achieve on/off and dimming function.
- Works with power repeater to expand output unlimitedly.

2CH 5A Constant Voltage RF 2.4G Receiver V2



- Model: V2 Input: 12-24VDC
Voltage Output: 2CH, 5A/CH
Current Output: 2 x (60-120)W
Power Output type: Constant voltage
Size(mm): 97x33x18mm



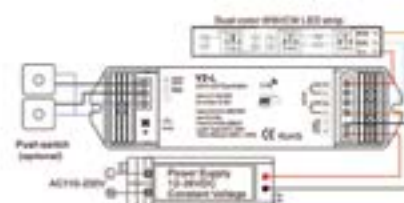
- RF controller with 2 channel PWM constant voltage or constant current output.
- Default as dual color(WW/CW) controller, need matching dual color RF remote.
- Can also be used as single color dimming controller, strong compatibility.
- Smooth dimming and switching.
- Full compatibility with a variety of single color, dual color RF remote.
- 2.4GHz wireless technology, remote distance up to 30m, one receiver can accept up to 10 remote control.
- WiFi controllable via app installed on IOS or Android mobile devices while working with WiFi-Relay controller.
- Work with power repeater to expand output unlimitedly.

1. These products shall be installed and serviced by a qualified person.
2. The products are non-waterproof. Please avoid the sun and rain.
3. Good heat dissipation will prolong the working life of the controllers. Please ensure good ventilation.
4. Please check if the output voltage of any power supplies used comply with the working voltage of the product.
5. Ensure all wire connections and polarities are correct and secure before applying power to avoid any damages to the LED lights.
6. If a fault occurs please return the product to us. Do not attempt to fix this product by yourself.

2CH 8A Constant Voltage RF 2.4G Receiver V2-L

- Input voltage: 12-36VDC;
- Output current: 2CH,5A/CH
- Output power : 2 x (60-120)W
- Output type: Constant voltage
- Size: 97x33x18mm

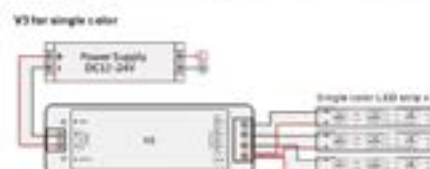
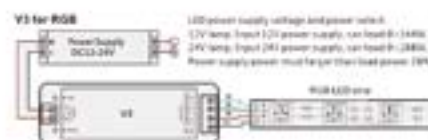
- RF controller with 2 channel PWM constant voltage or constant current output.
- Default as dual color(WW/CW) controller, need matching dual color RF remote.
- Can also be used as single color dimming controller, strong compatibility.
- Smooth dimming and switching.
- Full compatibility with a variety of single color, dual color RF remote.
- 2.4GHz wireless technology, remote distance up to 30m,one receiver can accept up to 10 remote control.
- WiFi controllable via app installed on IOS or Android mobile devices while working with WiFi-Relay controller.
- Works with power repeater to expand output unlimitedly



3CH 4A Constant Voltage RF 2.4G Receiver V3

- Input voltage: 12-24 VDC;
- Output current: 3CH,4A/CH
- Output power : 144-280W
- Output type: PWM Constant voltage
- Size: 97x33x18mm

- Mini style 4A 3CH PWM constant voltage controller.
- Default as RGB controller, need matching RGB remote, create colorful static or dynamic effect.
- Can also be used as color temperature or dimming controller, good compatibility.
- Full compatibility with a variety of single color, dual color and RGB remotes.
- PWM achieve 4096 levels flicker-less dimming.
- When control RGB lamp, built in 10 change modes.
- 2.4GHz wireless technology, can accept up to 10 remotes control.
- WiFi controllable via app installed on IOS or Android mobile devices while working with WiFi-Relay controller.
- Works with power repeater to expand output unlimitedly



1. These products shall be installed and serviced by a qualified person.
2. The products are non-waterproof. Please avoid the sun and rain.
3. Good heat dissipation will prolong the working life of the controllers. Please ensure good ventilation.
4. Please check if the output voltage of any power supplies used comply with the working voltage of the product.
5. Ensure all wire connections and polarities are correct and secure before applying power to avoid any damages to the LED lights.
6. If a fault occurs please return the product to us. Do not attempt to fix this product by yourself.

3CH 6A Constant Voltage RF 2.4G Receiver V3-L



- Input voltage: 5-36VDC
- Output type: PWM constant voltage
- Output power: 90-648W
- Output current: 3CH, 6A/CH
- Size: L175×W45×H27mm

- The product default as RGB controller, need matching remote, create colorful static or dynamic effect.
- The product can also be used as color temperature or dimmer controller, good compatibility.
- 2.4GHz wireless technology, can accept up to 10 remotes control.
- Can connect with external switches to achieve on/off and scene change function.
- When control RGB lamp, built in 10 change modes.
- Works with power repeater to expand output unlimitedly.
- PWM achieve 4096 levels flicker-less dimming.

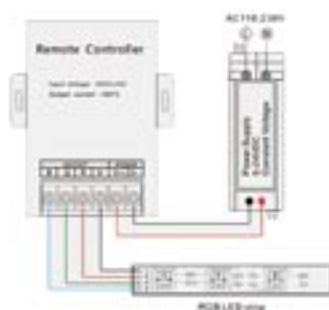


3CH 10A Constant Voltage RF 2.4G Receiver V3-X



- Input voltage: 5-24VDC
- Output type: PWM constant voltage
- Output current: 3CH, 10A/CH
- Output power: 3 x (50-240)W
- Product size: L110×W74.5×H24.5mm

- 10A 3CH PWM constant voltage controller.
- Default as RGB controller, need match RGB remote, create colorful static or dynamic effect.
- Can also be used as color temperature or dimming controller, good compatibility.
- Full compatibility with a variety of single color, dual color and RGB remotes.
- PWM achieve 4096 levels flicker-less dimming.
- When control RGB lamp, built in 10 change modes.
- 2.4GHz wireless technology, can accept up to 10 remotes control.
- WiFi controllable via app installed on IOS or Android mobile devices while working with WiFi-Relay controller.
- Works with power repeater to expand output unlimitedly.



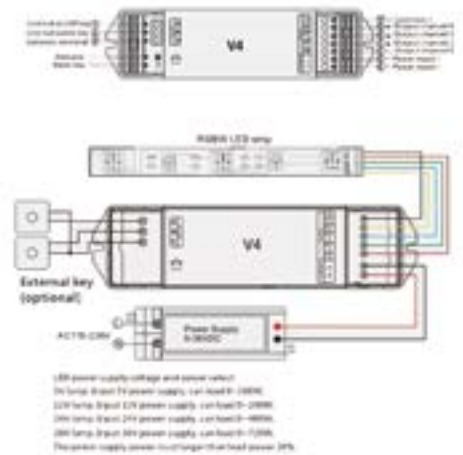
1. These products shall be installed and serviced by a qualified person.
2. The products are non-waterproof. Please avoid the sun and rain.
3. Good heat dissipation will prolong the working life of the controllers. Please ensure good ventilation.
4. Please check if the output voltage of any power supplies used comply with the working voltage of the product.
5. Ensure all wire connections and polarities are correct and secure before applying power to avoid any damages to the LED lights.
6. If a fault occurs please return the product to us. Do not attempt to fix this product by yourself.

4CH 5A Constant Voltage RF 2.4G Receiver V4

- Input voltage: 5-36VDC:
- Output current: 4CH,5A/CH
- Output power : 100-720W
- Output type: PWM constant voltage
- Size: 175x45x27mm



- 5A 4CH PWM constant voltage controller.
- Default as RGBW controller, need matching RGBW remote, create colorful static or dynamic effect.
- Can also be used as RGB, color temperature or dimming controller, good compatibility.
- Full compatibility with a variety of single color, dual color and RGB/RGBW remotes.
- PWM achieves 4096 levels flicker-less dimming.
- When control RGB/RGBW lamp, built in 30 change modes.
- 2.4GHz wireless technology, can accept up to 10 remotes control.
- WiFi controllable via app installed on IOS or Android mobile devices while working with WiFi-Relay controller.
- Can connect with external switches to achieve on/off and scene change function.
- Works with power repeater to expand output unlimitedly.

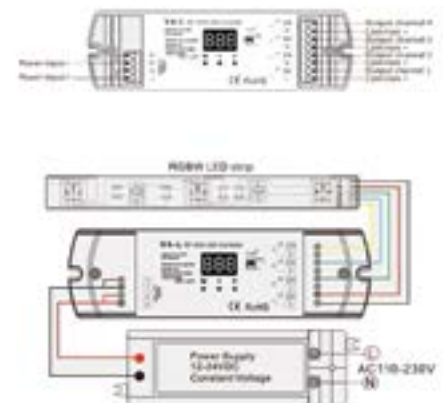


4CH 5A Constant Voltage RF 2.4G Receiver V4-L

- Input voltage: 12-24VDC:
- Output current: 4CH,5A/CH
- Output power : 240-720W
- Output type: PWM constant voltage
- Size: 172x53x27mm



- 4CH PWM constant voltage controller with digital numeric display and easy key operation.
- Can work under Stand-alone mode or RF mode.
- Under Stand-alone mode(no need remote), can set as 1ch dimmer, 4ch dimmer, dual color controller or RGB/RGBW controller.
- Under RF mode, full compatibility with a variety of single color dimming, dual color and RGB/RGBW remotes.
- PWM achieves 4096 levels flicker-less dimming.
- When control RGB/RGBW lamp, built in 30 change modes.
- 2.4GHz wireless technology, can accept up to 10 remotes control.
- WiFi controllable via app installed on IOS or Android mobile devices while working with WiFi-Relay controller.
- Works with power repeater to expand output unlimitedly.



1. These products shall be installed and serviced by a qualified person.
2. The products are non-waterproof. Please avoid the sun and rain.
3. Good heat dissipation will prolong the working life of the controllers. Please ensure good ventilation.
4. Please check if the output voltage of any power supplies used comply with the working voltage of the product.
5. Ensure all wire connections and polarities are correct and secure before applying power to avoid any damages to the LED lights.
6. If a fault occurs please return the product to us. Do not attempt to fix this product by yourself.

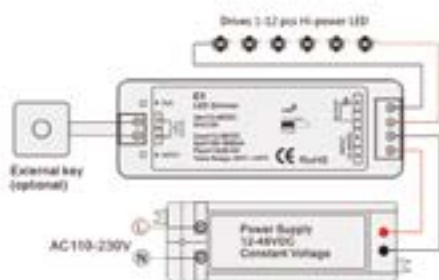
1CH Constant Current RF 2.4G Receiver



- Input voltage: 12-48VDC
- Output type: PWM constant current
- Output power: 1.8-86.4W - Grey levels: 4096
- Output current: 1CH, 150-1800mA
- Size: L97×W33×H18mm



- The product matches with dimming remote, realize functions of switch and dimming.
- 2.4GHz wireless technology, can accept up to 10 remotes control.
- PWM achieves 4096 levels flicker-less dimming.
- WiFi controllable via app installed on IOS or Android mobile devices while working with WiFi-Relay controller.
- Can connect with external switches to achieve on/off and dimming function.
- Works with power repeater to expand output unlimitedly.



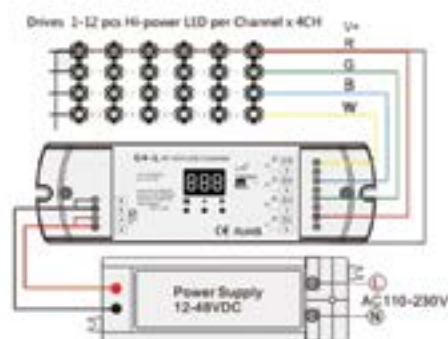
4CH Constant Current RF 2.4G Receiver



- Input voltage: 12-48VDC
- Output type: PWM constant current
- Output current: 4CH, 150-1800mA/CH
- Size: L170×W50×H23mm



- 4CH PWM constant current controller with digital numeric display and easy key operation
- Can work under Stand-alone mode or RF mode.
- Can be set as 1ch dimmer, 4ch dimmer, dual color controller or RGB/RGBW controller.
- Under RF mode, full compatibility with a variety of single color dimming, dual color and RGB/RGBW remotes.
- PWM achieves 4096 levels flicker-less dimming.
- When control RGB/RGBW lamp, built in 30 change modes.
- 2.4GHz wireless technology, can accept up to 10 remotes control.
- WiFi controllable via app installed on IOS or Android mobile devices while working with WiFi-Relay controller.
- Works with power repeater to expand output unlimitedly.



1. These products shall be installed and serviced by a qualified person.
2. The products are non-waterproof. Please avoid the sun and rain.
3. Good heat dissipation will prolong the working life of the controllers. Please ensure good ventilation.
4. Please check if the output voltage of any power supplies used comply with the working voltage of the product.
5. Ensure all wire connections and polarities are correct and secure before applying power to avoid any damages to the LED lights.
6. If a fault occurs please return the product to us. Do not attempt to fix this product by yourself.

Rotary Glass Panel Single Color LED Constant Voltage Controller

- Rotary single color panel PWM constant voltage controller can also be used as single color remote.
- Rotate knob to change brightness.
- Smooth dimming and switching.
- 2.4GHz wireless technology - remote distance up to 30 m.

Push: Turn the light on/off
 Rotate: Adjust brightness
 (2.5 turns, 50 levels)
 Long push: Continuous 256
 levels brightness adjustment



Model	Input voltage	Output signal	Output current	Output power	Light type	Size(mm)
RP-1	12-24VDC	PWM+RF2.4G	3CH,4A/CH	144-288W	Single color	86x86x58
RP-2	12-24VDC	PWM+RF2.4G	2CH,5A/CH	120-240W	Dual color	86x86x58
RP-3	12-24VDC	PWM+RF2.4G	3CH,4A/CH	144-288W	RGB	86x86x58

Rotary Glass Panel Dual Color LED Constant Voltage Controller

- Rotary dual color panel PWM constant voltage controller can also be used as dual color remote.
- Rotate knob to change brightness and color temp.
- Smooth dimming and switching.
- 2.4GHz wireless technology - remote distance up to 30 m.

Push: Turn the light on/off
 Rotate: Adjust brightness or
 color temp.
 Long push: Continuous 256
 levels brightness adjustment
 Push twice: Switch between
 color temp/brightness adjustment



Model	Input voltage	Output signal	Output current	Output power	Light type	Size(mm)
RP-4	12-24VDC	PWM+RF2.4G	3CH,4A/CH	144-288W	Single color	86x86x58
RP-5	12-24VDC	PWM+RF2.4G	2CH,5A/CH	120-240W	Dual color	86x86x58
RP-6	12-24VDC	PWM+RF2.4G	3CH,4A/CH	144-288W	RGB	86x86x58

Rotary Panel Constant Voltage LED Dimmer

- Rotary panel constant voltage or constant current LED dimmer can also be used as single color remote.
- Rotate knob to change brightness - supports "push" and "long push" mode.
- Smooth dimming and switching.
- 2.4GHz wireless technology - remote distance up to 30 m.
- Works with Wifi-relay controller - installation of apps on IOS and Android.



Model	Input voltage	Output voltage	Output current	Output power	Output type
RP-7	12-36VDC	12-36VDC	6A	72-216W	Constant voltage
RP-8	24-36VDC	12-32VDC	300, 400, 500, 2000, 700, 800, 900, 1000mA (CF switch select)	3-36W	Constant current

Touch Panel Single Color LED Constant Voltage (2 in 1) Controller



- Turn on/off
- Turn the light off after 20s.
- Play dynamic mode
- Brightness - 10 levels
- Brightness slider

- Touch panel single color PWM constant voltage controller can also be used as RF remote.
- Ultra sensitive high strength glass touch panel with color slide and backlight.
- Smooth and accurate color adjustment.
- 2.4GHz wireless technology - remote distance up to 30 m.

Model	Input voltage	Output signal	Output current	Output power	Light type	Size(mm)
TP-1	12-24VDC	PWM+RF2.4G	4CH,3A/CH	144-288W	Single color	86x86x37
TP-2	12-24VDC	PWM+RF2.4G	4CH,3A/CH	144-288W	Dual color	86x86x37
TP-3	12-24VDC	PWM+RF2.4G	3CH,4A/CH	144-288W	RGB	86x86x37
TP-4	12-24VDC	PWM+RF2.4G	4CH,3A/CH	144-288W	RGBW	86x86x37

Touch Panel Dual Color LED Constant Voltage (2 in 1) Controller



- Turn on/off
- Brightness - 10 levels
- Color temp. - 10 levels
- Play dynamic mode
- Color/Brightness slider

- Touch panel single color PWM constant voltage controller can also be used as RF remote.
- Ultra sensitive high strength glass touch panel with color slide and backlight.
- Smooth and accurate color adjustment.
- 2.4GHz wireless technology - remote distance up to 30 m.

Model	Input voltage	Output signal	Output current	Output power	Light type	Size(mm)
TP-5	12-24VDC	PWM+RF2.4G	4CH,3A/CH	144-288W	Single color	86x86x37
TP-6	12-24VDC	PWM+RF2.4G	4CH,3A/CH	144-288W	Dual color	86x86x37
TP-7	12-24VDC	PWM+RF2.4G	3CH,4A/CH	144-288W	RGB	86x86x37
TP-8	12-24VDC	PWM+RF2.4G	4CH,3A/CH	144-288W	RGBW	86x86x37

Touch Panel Dual Color LED Constant Voltage Controller



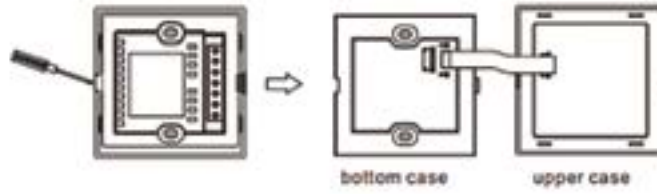
- Turn on/off
- Brightness - 10 levels
- Color temp. - 10 levels
- Play dynamic mode
- Color/Brightness wheel

- Touch panel single color PWM constant voltage controller can also be used as RF remote.
- Ultra sensitive high strength glass touch panel with color slide and backlight.
- Smooth and accurate color adjustment.
- 2.4GHz wireless technology - remote distance up to 30 m.
- Touch keys with chord tones and LED indicator.

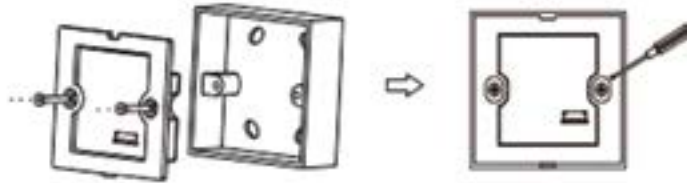
Model	Input voltage	Output signal	Output current	Output power	Light type	Size(mm)
TP-9	12-24VDC	PWM	4CH,3A/CH	144-288W	Single color	86x86x37
TP-10	12-24VDC	PWM	4CH,3A/CH	144-288W	Dual color	86x86x37
TP-11	12-24VDC	PWM	3CH,4A/CH	144-288W	RGB	86x86x37
TP-12	12-24VDC	PWM	4CH,3A/CH	144-288W	RGBW	86x86x37

INSTALLATION DIAGRAM

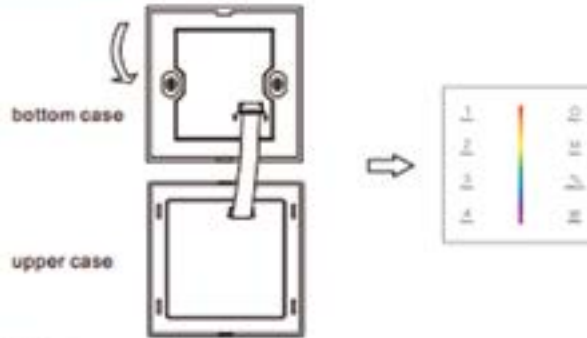
1. Flip panel, inserted into the card edge aperture with a small screwdriver, gently pry and open the panel, pull out FPC lock catch, then remove FPC line.



2. After connect wires, put bottom case into 86 bottom box, put in the screw and tighten.

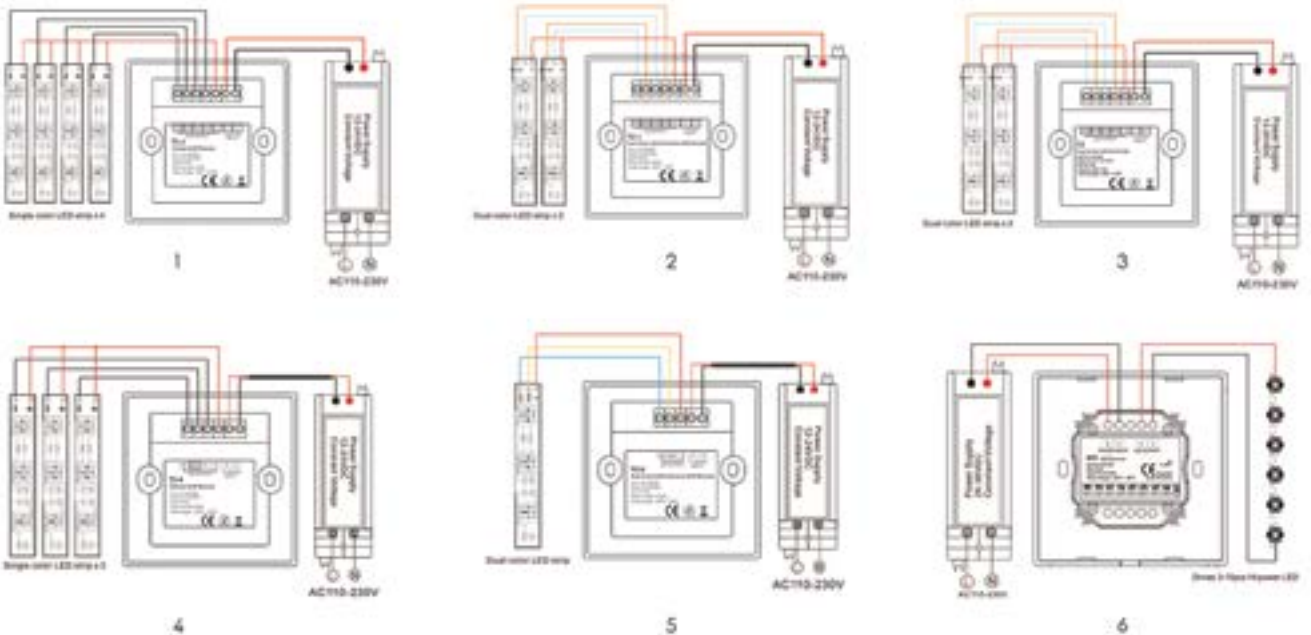


3. Connect FPC line, then from top to bottom, moderately cover upper case, complete installation.

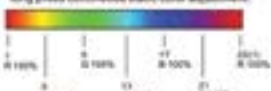


NOTES:

- In order to ensure safety, turn off the power first before wiring, ensure correct wiring to avoid short circuit.
- In the process of installation, do not damage or twist FPC line, in order to avoid damage.



1 Zone RF 2.4G LED RGB/RGBW Remote

- ⊙ Turn on/off light.
 - 🌈 Touch to change static RGB color.
 - ⊙ Short press per 24 levels static RGB color, long press continuous static color adjustment.
- 
- ⊙ Short press run next RGB mode, long press 2s run mode-cycle.
 - ⊙ For dynamic RGB mode, adjust mode speed, short press 10 levels, long press 2s the fastest speed. For static RGB color, adjust saturation, namely change current static color to mixed white slowly, short press 11 levels, long press 1-5s continuous 256 levels adjustment.
 - ⊙ Adjust brightness, short press 10 levels, long press 1-5s continuous 256 levels adjustment.
 - ⊙ Adjust RGB brightness, short press turn on/off, long press 1-5s continuous 256 levels adjustment.
 - ⊙ For RGB light, short press turn on/off white/RGB mix, long press 1-5s continuous 256 levels adjust saturation, namely change current static color to mixed white slowly. For RGBW light, short press turn on/off W channel, long press 1-5s continuous 256 levels adjust W brightness.
 - ⊙ Short press run the scene, long press 2s save.



- Output signal: RF(2.4GHz)
- Working voltage: 3VDC(AAA*2pcs)
- Working current: <20mA
- Standby current: <10μA
- Standby time: 6 months
- Remote distance: 30m
- Working temperature: -30℃~55℃
- Dimension: L122×W53×H17.5mm
- Weight: 135g

- Apply to single color, dual color, RGB, RGBW or RGB+CCT LED controller or smart lamp.
- 2.4GHz wireless technology, remote distance up to 30m.
- Each remote can match one or more receiver.
- Operates with LED indicator light.

4 Zones RF 2.4G LED RGB/RGBW Remote

- ⊙ Short press turn on/off current zone light, long press 2s turn off all zone light.
- 🌈 Touch to change current zone static RGB color.
- 1 2 3 4 Short press select and turn on zone light, long press 2s turn off zone light. Continuous short press multiple zone key, can synchronous select multiple zone.
- R G B Adjust RGB brightness, short press turn on/off, long press 1-5s continuous 256 levels adjustment.
- W For RGB light, short press turn on/off white/RGB mix, long press 1-5s continuous 256 levels adjust saturation, namely change current static color to mixed white slowly. For RGBW light, short press turn on/off W channel, long press 1-5s continuous 256 levels adjust W brightness.
- ⊙ Adjust mode for current selected zone, Short press run next RGB mode, long press 2s run mode-cycle.
- ⊙ For static color, adjust brightness, short press 10 levels, long press 1-5s continuous 256 levels adjustment. For dynamic mode, adjust speed, short press 10 levels, long press 2s the fastest speed.
- ⊙ Short press run the scene, long press 2s save, 4 zone run or save synchronously.



- Output signal: RF(2.4GHz)
- Working voltage: 3VDC(AAA*2pcs)
- Working current: <20mA
- Standby current: <10μA
- Standby time: 6 months
- Remote distance: 30m
- Working temperature: -30℃~55℃
- Dimension: L122×W53×H17.5mm
- Weight: 135g

- Apply to single color, dual color, RGB, RGBW or RGB+CCT LED controller or smart lamp.
- 2.4GHz wireless technology, remote distance up to 30m.
- Each remote can match one or more receiver.
- Operates with LED indicator light.

1 Zone RF 2.4G LED 3-in-1 Remote

- ① → ②③ → Long press to set as RGB+CCT remote.
 - ② → ④⑤ → Long press to set as RGB remote.
 - ③ → ⑥ → Long press to set as RGBW remote.
- When remote type change OK, the green indicator goes on a long time.
- ⑦ → Turn on/off light.
 - ⑧ → Touch to change RGB color or color temperature. Press RGB or CCT key to switch between RGB wheel and CCT wheel.
 - ⑨ → Adjust brightness, short press 10 levels, long press 1-50 continuous 256 levels adjustment.
 - ⑩⑪ → For RGB+CCT (mix/W) lamp, adjust color temperature by W/W/W channel, short press 11 levels, long press 2x get max or min color temperature.
- | 1 | 2 | 11 |
|------------|---------------|------------|
| Warm White | Natural White | Cool White |
| 2500K | 4000K | 6500K |
| Min 10% | Min 10% | Min 10% |
- For RGB or RGBW lamp, adjust color temperature by the RGB channel, 11 levels.



- Output signal: RF(2.4GHz)
- Working voltage: 3VDC(AAA*2pcs)
- Working current: <20mA
- Standby current: <10μA
- Standby time: 6 months
- Remote distance: 30m
- Working temperature: -30℃~55℃
- Dimension: L122×W53×H17.5mm
- Weight: 135g

- Apply to single color, dual color, RGB, RGBW or RGB+CCT LED controller or smart lamp.
- 2.4GHz wireless technology, remote distance up to 30m.
- Each remote can match one or more receiver.
- Operates with LED indicator light.

1 Zone RF 2.4G LED RGB/RGBW Remote

- ① → Turn the light on/off
- ② → Touch to change color.
- ③ → Short press run the next mode/ long press mode cycle
- ④ → Dynamic mode, adjust speed, short press 10 levels/ long press the fastest speed.
- ⑤ → Adjust brightness, short press 10 levels/ long press 256 level adjustment.
- ⑥ → Adjust R/G/B brightness respectively/ short press to turn on/off.
- ⑦ → For RGB light, short press turn on/off white (RGB mix), long press 256 levels adjust W channel brightness.
- ⑧ → Short press to run the scene/long press to save.



- Output signal: RF(2.4GHz)
- Working voltage: 3VDC(AAA*2pcs)
- Working current: <20mA
- Standby current: <10μA
- Remote distance: 30m
- Working temperature: -30℃~55℃
- Dimension: L107×W58.5×H9mm
- Weight: 34g

- 2.4GHz wireless technology, remote distance up to 30m.
- Each remote can match one or more receiver.
- Operates with LED indicator light.

4 Zones RF 2.4G LED RGB/RGBW Remote

- ⏻ Short press turn on/off current zone light/ long press turn off all zone lights.
- 🌈 Touch to change current zone color.
- ⏪ Short press run the next mode, long press to run mode cycle.
- ⏩ Static color, adjust brightness - short press 10 levels/ long press 250 levels adjustment. Dynamic mode, adjust speed - short press 10 levels/ long press 250 levels adjustment.
- W For RGB light, short press turn on/off white (RGB max), long press 250 levels adjust saturation. For RGBW light, short press turn on/off W channel, long press 250 levels adjust W channel brightness.
- 1 2 3 4 Short press select and turn on zone light, long press turn off all zone lights.
- ⏻ Short press run the scene, long press to save 4 zone or save synchronously.



- Output signal: RF(2.4GHz)
- Working voltage: 3VDC(AAA*2pcs)
- Working current: <20mA
- Standby current: <10µA
- Remote distance: 30m
- Working temperature: -30℃~55℃
- Dimension: L107×W58.5×H9mm
- Weight: 34g

- 2.4GHz wireless technology, remote distance up to 30m.
- Each remote can match one or more receiver.
- Operates with LED indicator light.

1 Zone RF 2.4G LED RGB Remote

- ⏻ Turn on/off light.
- 🌈 Touch to change static RGB color.
- ⏪ ⏩ Short press runs the next or previous dynamic mode, long press runs mode cycle.
- ⏪ ⏩ For dynamic mode, adjust speed, short press 10 levels/ long press for the fastest or slowest speed. For static color, adjust saturation, change current static color to mixed white.
- ⏪ ⏩ Adjust brightness - short press 10 levels/ long press for continuous adjustment.
- 🔴 🟢 🔵 Get red, green or blue color directly.



- Output signal: RF(2.4GHz)
- Working voltage : 3VDC(CR2032)
- Working current: <20mA
- Standby current: <10µA
- Standby time: 12 months
- Remote distance: 30m
- Working temperature: -30℃~55℃
- Dimension: L107×W58.5×H9mm
- Weight: 34g

- Ultra sensitive color adjustment touch wheel.
- 2.4GHz wireless technology, remote distance up to 30m.
- Each remote can match one or more receiver.
- Operates with LED indicator light.

4 Zone RF 2.4G LED RGB Remote

- ⏻ Short press turn on/off all zone lights.
- 🌈 Touch to change current zone static RGB color.
- ⏪ ⏩ Adjust brightness, short press 10 levels / long press for continuous adjustment.
- 🔄 Short press run the next RGB mode / long press runs mode cycle.
- ⏸ For dynamic mode, adjust speed, short press 10 levels/ long press for default speed. For static color, adjust saturation, change current static color to mixed white.
- 📌 One scene memory, short press recalls the scene/ long press for save.
- 1 2 3 4 Short press selects and turns on zone light/ long press to turn off zone light.



- Output signal: RF(2.4GHz)
- Working voltage : 3VDC(CR2032)
- Working current: <20mA
- Standby current: <10μA
- Standby time: 12 months
- Remote distance: 30m
- Working temperature: -30℃~55℃
- Dimension: L107×W58.5×H9mm
- Weight: 34g

- Apply to RGB LED controller, dimming driver or smart lamp.
- Ultra sensitive color adjustment touch wheel.
- 2.4GHz wireless technology, remote distance up to 30m.
- Each remote can match one or more receiver.
- Operates with LED indicator light.

2 Zone RF 2.4G LED RGB/RGBW Remote

- ⏻ Short press turn on/off all 2 zone lights.
- 🌈 Touch color wheel.
- ⏪ ⏩ For dynamic mode, adjust speed, short press 10 levels/ long press for slowest or fastest speed. For static color, adjust saturation, change current static color to mixed white.
- ⏸ Adjust brightness, short press 10 levels/ long press for continuous adjustment.
- 📌 8 dynamic modes.
- 📌 Short press for red/green/blue color directly/ long press adjust R/G/B brightness.
- ⏻ Short press turns on/off white color/ long press to adjust white brightness.
- 1 2 Short press to select and turn on zone light/ long press turns off zone light.



- Output signal: RF(2.4GHz)
- Working voltage: 3VDC(AAA*2pcs)
- Working current: <20mA
- Standby current: <10μA
- Standby time: 12 months
- Remote distance: 30m
- Working temperature: -30℃~55℃
- Dimension: L141×W50×H17.5mm
- Weight: 164g

- Apply to RGB LED controller, dimming driver or smart lamp.
- Ultra sensitive color adjustment touch wheel.
- 2.4GHz wireless technology, remote distance up to 30m.
- Each remote can match one or more receiver.
- Operates with LED indicator light.

4 Zone RF 2.4G LED RGB/RGBW Remote



Touch color wheel:
 Short press play/10 built-in modes, long press run mode cycle.
 For dynamic mode, adjust speed:
 short press 10 levels, long press the default speed.
 For static color, adjust saturation:
 short press 11 levels, long press for continuous adjustment.
 Adjust brightness:
 short press 10 levels, long press for continuous adjustment.
 Short press get red, green or blue color directly,
 long press adjust for RGB brightness continuously.
 Short press turn on/off white color,
 long press adjust white brightness continuously.
 Turn on/off 12/24 power light, at the same time, adjust current color.
 Short press multiple same key twice, will select multiple same synchronously.
 Turn on/off all 4 zone light.
 If 4 zone remote, short press power on the same, long press to save current color to 010,
 if 4 zone remote or save synchronously.



- Output signal: RF(2.4GHz)
- Working voltage: 3VDC(AAA*2pcs)
- Working current: <20mA
- Standby current: <10μA
- Standby time: 12 months
- Remote distance: 30m
- Working temperature: -30°C~55°C
- Dimension: L141×W50×H17.5mm
- Weight: 164g

- Apply to RGB or RGBW LED controller, dimming driver or smart lamp.
- Ultra sensitive color adjustment touch wheel.
- 2.4GHz wireless technology, remote distance up to 30m.
- Each remote can match one or more receiver.
- Operates with LED indicator light.

1 Zone RF 2.4G LED RGB/RGBW Remote



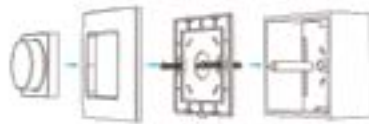
- Apply to RGB or RGBW LED controller, dimming driver or smart lamp.
- Ultra sensitive color adjustment touch wheel.
- 2.4GHz wireless technology, remote distance up to 30m.
- Each remote can match one or more receiver.
- Operates with LED indicator light.

Knob Panel Constant Voltage Controller

Replace the battery:



Mount on the wall:



- Output signal: RF (2.4GHz)
- Working voltage: 3VDC (CR2032)
- Working current: <math>< 20\text{mA}</math>
- Standby current: <math>< 4\mu\text{A}</math>
- Standby time: 12 months
- Remote distance: 30m

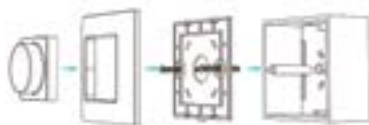
- Apply to single color, dual color, RGB LED controller, dimming driver or smart lamp.
- 2.4GHz wireless technology, remote distance up to 30m.
- Each remote can match one or more receiver.
- CR2032 button battery power supply.
- Easy remove, or mount on wall use panel base.

Touch Panel RGB/RGBW remote

Replace the battery:

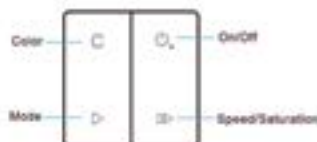


Mount on the wall:

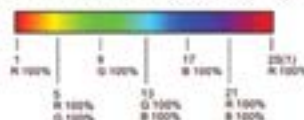


- Output signal: RF (2.4GHz)
- Working voltage: 3VDC (CR2032)
- Working current: <math>< 20\text{mA}</math>
- Standby current: <math>< 4\mu\text{A}</math>
- Standby time: 12 months
- Remote distance: 30m

- Apply to single color, dual color, RGB LED controller, dimming driver or smart lamp.
- 2.4GHz wireless technology, remote distance up to 30m.
- Each remote can match one or more receiver.
- CR2032 button battery power supply.
- Easy remove, or mount on wall use panel base.



On/Off: Short press turn on or off light, long press continuous 256 levels adjust brightness.
Color: Change static RGB color.
 Short press get 24 kinds static color, long press continuous static color adjustment.

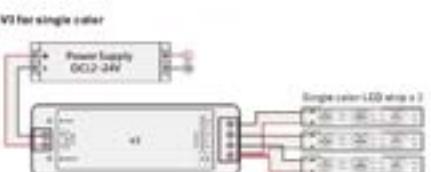
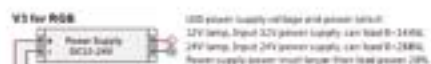


Mode: Change dynamic mode.
 Short press run next mode, long press 2s run mode-cycle.

3CH 4A Constant Voltage RF 2.4G Receiver



- Input voltage: 12-24VDC
- Output power: 144-288W
- Output current: 3CH, 4A/CH
- Output type: PWM constant voltage
- Size: L97×W33×H18mm

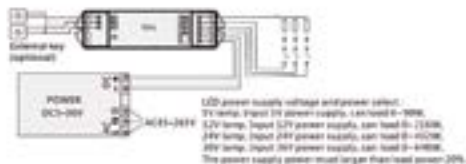


- Mini style 4A 3CH PWM constant voltage controller.
- Default as RGB controller, need match RGB remoter, create colorful static or dynamic effect.
- Can also be used as color temperature or dimming controller, good compatibility.
- Full compatibility with a variety of single color, dual color and RGB remotes.
- PWM achieve 4096 levels flicker-less dimming.
- When control RGB lamp, built in 10 change modes.
- 2.4GHz wireless technology, can accept up to 10 remotes control.
- WiFi controllable via app installed on IOS or Android mobile devices while working with WiFi-Relay controller.
- Works with power repeater to expand output unlimitedly.

3CH 6A Constant Voltage RF 2.4G Receiver



- Input voltage: 5-36VDC
- Output power: 90-648W
- Output current: 3CH, 6A/CH
- Output type: PWM constant voltage
- Size: L175×W45×H27mm



- The product default as RGB controller, need match remoter, create colorful static or dynamic effect.
- The product can also be used as color temperature or dimmer controller, good compatibility.
- 2.4GHz wireless technology, can accept up to 10 remoter control.
- Can connect with external switches to achieve on/off and scene change function.
- When control RGB lamp, Built in 10 change modes.
- Works with power repeater to expand output unlimitedly.
- PWM achieve 4096 levels flicker-less dimming.

1. These products shall be installed and serviced by a qualified person.
2. The products are non-waterproof. Please avoid the sun and rain.
3. Good heat dissipation will prolong the working life of the controllers. Please ensure good ventilation.
4. Please check if the output voltage of any power supplies used comply with the working voltage of the product.
5. Ensure all wire connections and polarities are correct and secure before applying power to avoid any damages to the LED lights.
6. If a fault occurs please return the product to us. Do not attempt to fix this product by yourself.

4CH 5A Constant Voltage RF 2.4G Receiver

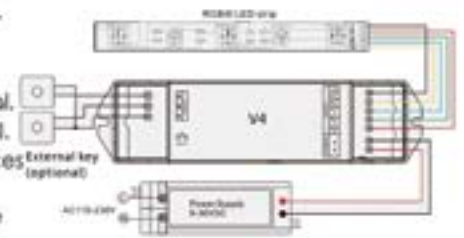
- Input voltage: 5-36VDC
- Output power: 100-120W
- Output current: 4CH, 5A/CH
- Output type: PWM constant voltage
- Size: L175×W45×H27mm



- 5A 4CH PWM constant voltage controller.
 - Default as RGBW controller, need match RGBW remote, create colorful static or dynamic effect.
 - Can also be used as RGB, color temperature or dimming controller, good compatibility.
 - Full compatibility with a variety of single color, dual color and RGB/RGBW remotes.
 - PWM achieve 4096 levels flicker-less dimming.
 - When control RGB/RGBW lamp, built in 30 change mode optional.
 - 2.4GHz wireless technology, can accept up to 10 remotes control.
 - WiFi controllable via app installed on IOS or Android mobile devices while working with WiFi-Relay controller.
 - Can connect with external switches to achieve on/off and scene change function.
- Works with power repeater to expand output unlimitedly.



- V4 used as a RGBW controller, the output connection: ② positive, ③ red light, ④ green light, ⑤ blue light, ⑥ white light.
- V4 used as a color temperature controller, the output connection: ② positive, ③/④/blue-white light, ⑤/⑥/color of white light.
- V4 used as a dimming controller, the output connection: ② positive, ③/④/⑤/⑥/dimming controls, synchronous or individual dimming.



- LED power supply voltage and power rating
- V4 lamp: Input 5V power supply, can load 0-100W.
 - V4 lamp: Input 12V power supply, can load 0-100W.
 - V4 lamp: Input 24V power supply, can load 0-100W.
 - V4 lamp: Input 36V power supply, can load 0-100W.
- The power supply power must larger than load power 20%.

4CH 5A Constant Voltage RF 2.4G Receiver V4-L

- Input voltage: 12-24VDC
- Output power: 240-720W
- Output current: 4CH, 5A/CH
- Output type: PWM constant voltage
- Size: L172×W53×H27mm



- 4CH PWM constant voltage controller with digital numeric display and easy key operation.
- Can work under Stand-alone mode or RF mode.
- Under Stand-alone mode(no need remote), can set as 1ch dimmer, 4ch dimmer, dual color controller or RGB/RGBW controller.
- Under RF mode, full compatibility with a variety of single color dimming, dual color and RGB/RGBW remotes.
- PWM achieve 4096 levels flicker-less dimming.
- When control RGB/RGBW lamp, built in 30 change mode optional.
- 2.4GHz wireless technology, can accept up to 10 remotes control.
- WiFi controllable via app installed on IOS or Android mobile devices while working with WiFi-Relay controller.
- Works with power repeater to expand output unlimitedly.



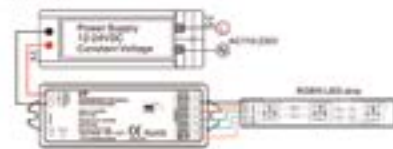
1. These products shall be installed and serviced by a qualified person.
2. The products are non-waterproof. Please avoid the sun and rain.
3. Good heat dissipation will prolong the working life of the controllers. Please ensure good ventilation.
4. Please check if the output voltage of any power supplies used comply with the working voltage of the product.
5. Ensure all wire connections and polarities are correct and secure before applying power to avoid any damages to the LED lights.
6. If a fault occurs please return the product to us. Do not attempt to fix this product by yourself.

4CH 3A Constant Voltage RF 2.4G Receiver VP

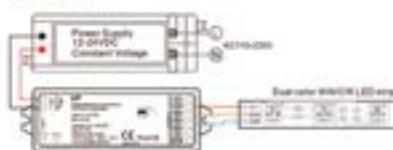


- Input voltage: 12-24VDC
- Output power: 144-288W
- Output current: 4CH, 3A/CH
- Output type: PWM constant voltage
- Size: L114×W38×H20mm

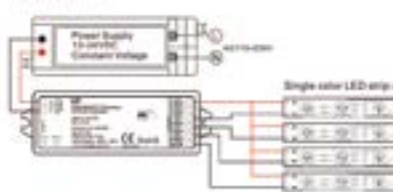
VP for RGBW



VP for dual color



VP for single color



-Mini style controller with DC power socket input and 4 channel constant voltage output.

-Default as RGB/RGBW controller, need match RGB/RGBW remote, create colorful static or dynamic effect.

-Can also be used as color temperature or dimming controller, good compatibility.

-Full compatibility with a variety of single color, dual color and RGB/RGBW remote.

-Smooth dimming and switch without any flickering.

-When control RGB/RGBW light, built in 10 mode, include jump or gradual change style.

-2.4GHz wireless technology, can accept up to 10 remote control.

-Auto-transmitting function, one receiver can transmit the signal from the remote to another receiver within 15m, so the remote control distance can be beyond 100m.

-Auto-synchronization function, different receivers can work synchronously when they are controlled by

the same remote, under same dynamic mode and same speed.

3CH 10A Constant Voltage RF 2.4G Receiver V3-X



- Input voltage: 5-24VDC
- Output power: 3 x (50-240W)
- Output current: 3CH, 10A/CH
- Output type: PWM constant voltage
- Size: L110×W74×H24.5mm

-10A 3CH PWM constant voltage controller.

-Default as RGB controller, need match RGB remote, create colorful static or dynamic effect.

-Can also be used as color temperature or dimming controller, good compatibility.

-Full compatibility with a variety of single color, dual color and RGB remotes.

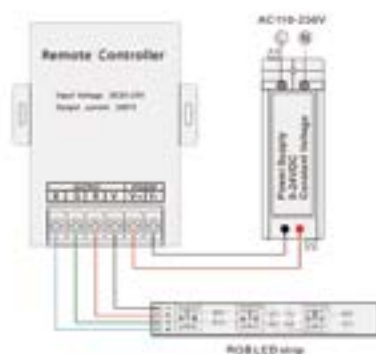
-PWM achieve 4096 levels flicker-less dimming.

-When control RGB lamp, built in 30 change modes.

-2.4GHz wireless technology, can accept up to 10 remotes control.

-WiFi controllable via app installed on IOS or Android mobile devices while working with WiFi-Relay controller.

-Works with power repeater to expand output unlimitedly.

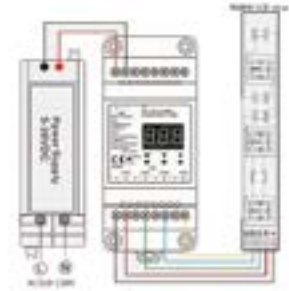


4 Channel 5A Constant Voltage LED Controller W

- Input voltage: 5-36VDC
- Output power: 100-720W
- Output current: 4CH, 5A/CH
- Output type: PWM constant voltage
- Size: L115×W48×H67mm



- Din rail mounted constant voltage controller, four channel output, 5A per channel.
- Default as RGBW controller, create colorful static or dynamic effect.
- Can also be used as RGB, color temperature or dimming controller, good compatibility.
- Full compatibility with a variety of single color, dual color and RGB/RGBW remotes.
- PWM achieve 4096 levels flicker-less dimming.
- When controls RGB/RGBW lamp, built in 30 change mode optional.
- 2.4GHz wireless technology, can accept up to 10 remotes control.
- WiFi controllable via app installed on IOS or Android mobile devices while working with WiFi-Relay controller.
- Works with power repeater to expand output unlimitedly.

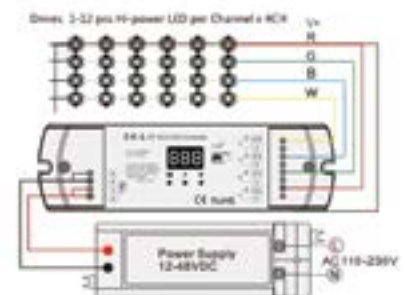


4CH Constant Current RF 2.4G Receiver C4-L

- Input voltage: 12-48VDC
- Output current: 4CH, 150-1800mA/CH
- Output type: PWM constant voltage
- Size: L170×W50×H23mm

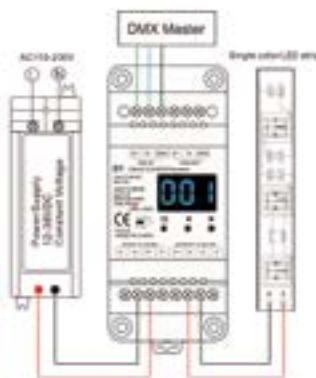


- 4CH PWM constant current controller with digital numeric display and easy key operation.
- Can work under Stand-alone mode or RF mode.
- Can set as 1ch dimmer, 4ch dimmer, dual color controller or RGB/RGBW controller.
- Under RF mode, full compatibility with a variety of single color dimming, dual color and RGB/RGBW remotes.
- PWM achieve 4096 levels flicker-less dimming.
- When control RGB/RGBW lamp, built in 30 change mode optional.
- 2.4GHz wireless technology, can accept up to 10 remotes control.
- WiFi controllable via app installed on IOS or Android mobile devices while working with WiFi-Relay controller.
- Works with power repeater to expand output unlimitedly.



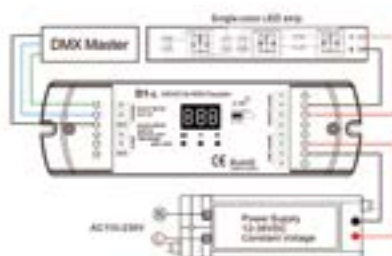
1. These products shall be installed and serviced by a qualified person.
2. The products are non-waterproof. Please avoid the sun and rain.
3. Good heat dissipation will prolong the working life of the controllers. Please ensure good ventilation.
4. Please check if the output voltage of any power supplies used comply with the working voltage of the product.
5. Ensure all wire connections and polarities are correct and secure before applying power to avoid any damages to the LED lights.
6. If a fault occurs please return the product to us. Do not attempt to fix this product by yourself.

1CH 12A Constant Voltage DMX512 & RDM Decoder



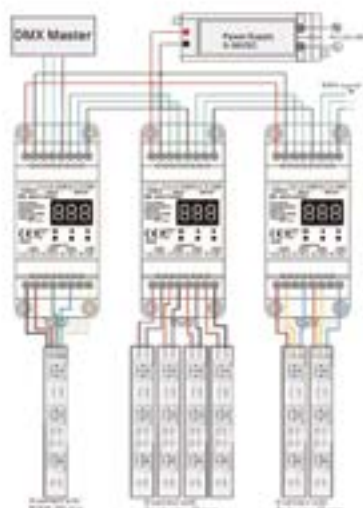
- DMX512 decoder with 1 channel constant voltage output.
- DMX decode mode / Stand-alone dynamic mode / Stand-alone dimmer mode.
- Standard DMX512 compliant interface. DMX address display, set DMX address freely.
- Comply with the latest DMX512, DMX512(1990), DMX512-A, RDM V1.0 (E1.20 - 2006 ESTA Standard) standard protocols.
- RDM bi-directional communication function, can realize intercommunication between DMX master and decoder. For example, you can set DMX decoder address by DMX master console.
- Under stand-alone dynamic mode, built in 3 modes, include jump, flash or gradual change style, adjustable speed.
- Under stand-alone dimmer mode, can adjust brightness independently, and save up to 8 brightness.
- High or low PWM frequency optional.
- Log or linear dimming curve optional.
- Works with power repeater to expand output unlimitedly.

1CH 12A Constant Voltage DMX512 & RDM Decoder D1-L



- DMX512 decoder with 1 channel constant voltage output.
- DMX decode mode / Stand-alone dynamic mode / Stand-alone dimmer mode.
- Standard DMX512 compliant interface. DMX address display, set DMX address freely.
- Comply with the latest DMX512, DMX512(1990), DMX512-A, RDM V1.0 (E1.20 - 2006 ESTA Standard) standard protocols.
- RDM bi-directional communication function, can realize intercommunication between DMX master and decoder. For example, you can set DMX decoder address by DMX master console.
- Under stand-alone dynamic mode, built in 3 modes, include jump, flash or gradual change style, adjustable speed.
- Under stand-alone dimmer mode, can adjust brightness independently, and save up to 8 brightness.
- High or low PWM frequency optional.
- Log or linear dimming curve optional.
- Works with power repeater to expand output unlimitedly.

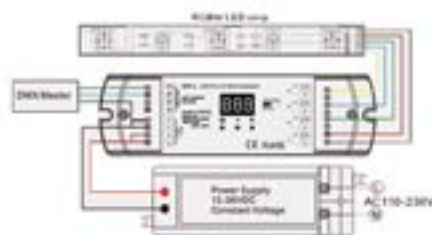
4 CH Constant Voltage DMX512 Decoder D4



- Input voltage: 5-36VDC
- Input signal: DMX512
- Output type: PWM constant voltage
- Output current: 4CH, 5A/CH
- Output power: 100-720W
- Decode number: 1/2/4 DMX Channel
- Dimming range: 0-100%
- Working temperature: -30°C~55°C
- Dimension: L115×W48×H67mm
- Weight: 110g

- Din rail mounted DMX512 constant voltage decoder, four channel output, 4A per channel.
- With standard DMX512 compliant interface, DMX address can be set easily and shown on the digital numeric display.
- Compatible with our DMX masters such as T12, T13, T15, T16, T17, and any other high quality DMX master.
- It can also work as stand-alone RGB/RGBW controller, have 30 kinds dynamic mode, adjustable speed and brightness.
- It can also work as stand-alone 4 channel dimming controller, each channel adjust brightness independently, and save up to 8 brightness groups.
- Work with power repeater to expand output unlimitedly.

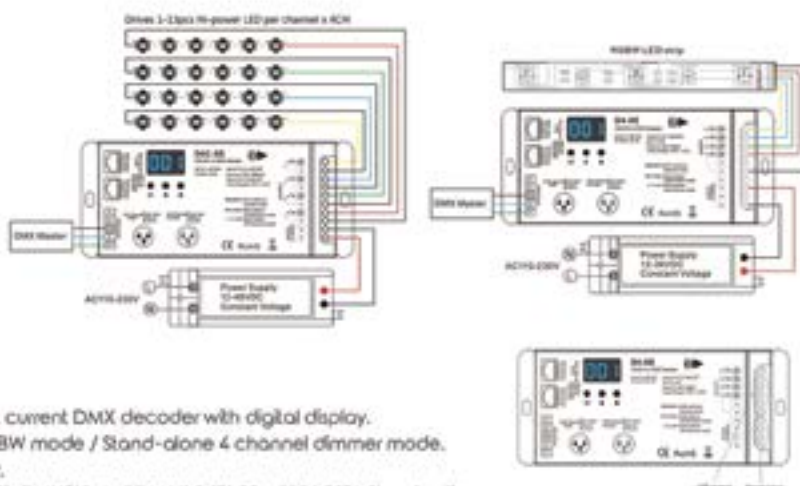
4CH Constant Voltage DMX512 & RDM Decoder D4-L



- Input voltage: 12-24VDC
- Output type: PWM constant Voltage
- Output current: 4CH, 5A/CH
- Output power: 240-480W
- Decode number: 1/2/4 DMX Channel
- Dimming range: 0-100%
- Working temperature: -30°C~55°C
- Product size: L170×W50×H23mm
- Packing size: L172×W53×H27(mm)
- Net weight: 125g

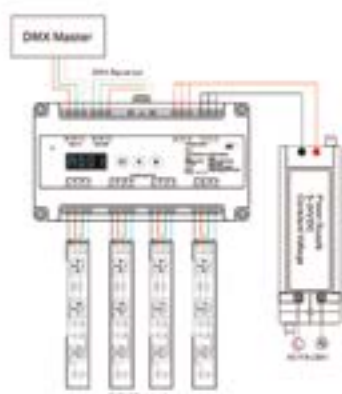
- DMX512 & RDM decoder, four channel constant voltage output, 5A per channel.
- Comply with the latest DMX512, DMX512(1990), DMX512-A, RDM V1.0 (E1.20 - 2006 ESTA Standard) standard protocols.
- RDM bi-directional communication function, can realize intercommunication between DMX master and decoder, for example, you can set DMX decoder address by DMX master console.
- DMX address can be set easily and shown on the digital numeric display.
- It can also work as stand-alone RGB/RGBW controller, have 30 kinds dynamic mode, adjustable speed and brightness.
- It can also work as stand-alone 4 channel dimming controller, each channel adjust brightness independently, and save up to 8 brightness groups.
- Works with power repeater to expand output unlimitedly.

4CH 8A Constant Voltage DMX512 & RDM Decoder D4-XE



- 4 channel PWM constant voltage / constant current DMX decoder with digital display.
- DMX decode mode / Stand-alone RGB/RGBW mode / Stand-alone 4 channel dimmer mode.
- DMX address display, set DMX address freely.
- Comply with the latest DMX512, DMX512(1990), DMX512-A, RDM V1.0 (E1.20 - 2006 ESTA Standard) standard protocols.
- RDM bi-directional communication function, can realize intercommunication between DMX master and decoder. For example, you can set DMX decoder address by DMX master console.
- Under stand-alone RGB/RGBW controller mode, have 30 mode, include static color, jump, flash, gradual change style, adjustable speed and brightness.
- Under stand-alone 4 channel dimmer mode, each channel adjust brightness independently, and save up to 8 groups brightness.
- 1/2/4 DMX channel decode optional.
- High or low PWM frequency optional.
- Log or linear dimming curve optional.
- Three kinds of DMX signal input method, have XLR3 and RJ45 port.

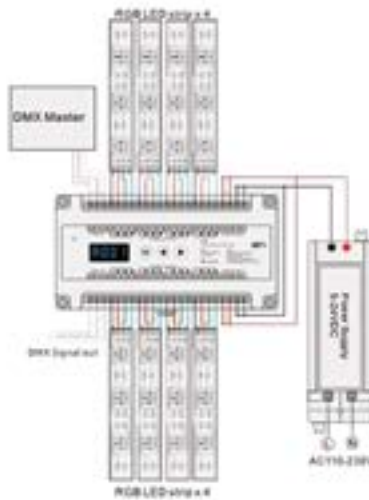
12 CH Constant Voltage DMX512 Decoder D12



- Input voltage: 5-24VDC
- Input signal: DMX512
- Output type: PWM constant voltage
- Output current: 12CH, 5A/CH
- Output power: 300-144W
- Decode number: 1/3/6/12 DMX Channel
- Grey levels: 4096/CH
- Dimming range: 0-100%
- Working temperature: -30°C~55°C
- Dimension: L160*W88*H60mm
- Weight: 246g

- Din rail mounted DMX512 constant voltage decoder, 12 channel output, 5A per channel.
- With standard DMX512 compliant interface, DMX address can be set easily and shown on the digital numeric display.
- It also can also work as stand-alone 12ch RGB controller, have 4 kinds dynamic mode.
- It also can work as stand-alone 12ch dimming controller, each channel adjust brightness independently, and save up to 8 groups brightness.
- Work with power repeater to expand output unlimitedly.

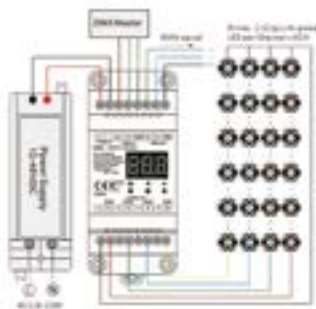
24 CH Constant Voltage DMX512 Decoder D24



- Input voltage: 5-24VDC
- Input signal: DMX512
- Output type: PWM constant voltage
- Output current: 24CH,3A/CH
- Output power: 360-1728W
- Decode number: 1/3/6/24 DMX Channel
- Grey levels: 4096/CH
- Dimming range: 0-100%
- Working temperature: -30℃~55℃
- Dimension: L160*W88*H60mm
- Weight: 306g

- Din rail mounted DMX512 constant voltage decoder, 24 channel output, 3A per channel.
- With standard DMX512 compliant interface, DMX address can be set easily and shown on the digital numeric display.
- It also can work as stand-alone 24ch RGB controller, have 4 kinds dynamic mode.
- It also can work as stand-alone 24ch dimming controller, each channel adjust brightness independently, and save up to 8 groups brightness.
- Work with power repeater to expand output unlimitedly.

4 CH Constant Current DMX512 Decoder D4C



- Input voltage: 12-48VDC
- Input signal: DMX512
- Output type: PWM constant current
- Output current: 4CH,200-1500mA/CH
- Output power: 14.4-57.6W(300mA)
- Decode number: 1/2/4 DMX Channel
- Dimming range: 0-100%
- Working temperature: -30℃~55℃
- Dimension: L115*W48*H67mm
- Weight: 120g

- Din rail mounted DMX512 constant current decoder, four channel output,200-1800mA(customized) per channel.
- With standard DMX512 compliant interface, DMX address can be set easily and shown on the digital numeric display.
- Compatible with our DMX masters such as T12,T13,T15,T16,T17, and any other high quality DMX master.
- It can also work as stand-alone RGB/RGBW controller, have 30 kinds dynamic mode,adjustable speed and brightness.
- It can also work as stand-alone 4 channel dimming controller, each channel adjust brightness independently, and save up to 8 groups brightness.
- Works with power repeater to expand output unlimitedly.