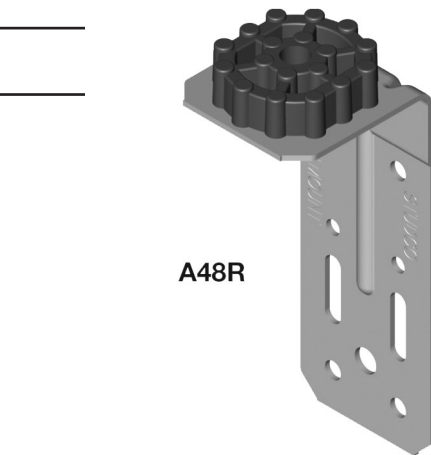


BRAND NAME	Resilmount A48R™
DESCRIPTION	Resilient Mount Right Angle Bracket
MANUFACTURER	Studco Building Systems
DATE OF ISSUE	March 2009



A48R

APPLICATION

Resilmount A96R™ is an engineered, acoustic resilient mounting bracket for reducing airborne vibration and structure-borne vibration in internal wall and ceiling applications. Use to brace an acoustic wall to the structure without compromising sound and vibration transmission requirements.

FEATURES

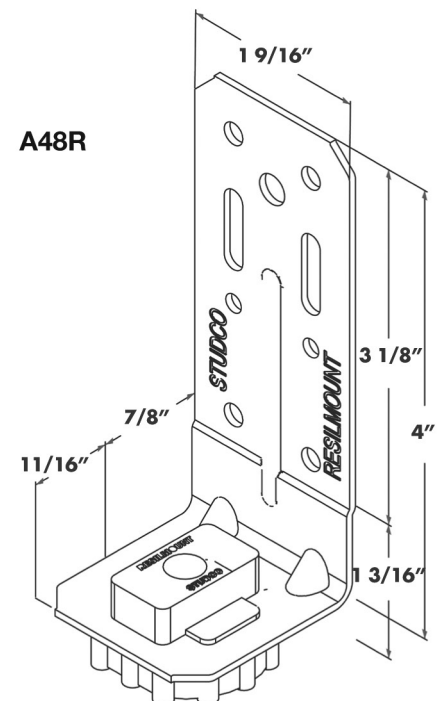
- ✓ Engineered thermoplastic rubber outperforms standard rubber because of its sound absorbing characteristics
- ✓ Simple design makes it adaptable to hundreds of applications
- ✓ Consistent and reliable quality – manufactured under ISO9001 quality control system
- ✓ Resilmount is the most cost effective way to isolate airborne noise
- ✓ A48R provided with 1/4" hole through for most common fixings
- ✓ 1/4" hole in long leg of bracket to suit 3/16" suspension rod
- ✓ Does not use metal washer or metal insert in rubber
- ✓ Provided with several 3/16" slotted holes in bracket fixing surface, suitable for direct fixing or inserting suspension rod for suspended ceiling systems

DYNAMIC CHARACTERISTICS

Resilmounts patented thermoplastic rubber outperforms standard rubber because of its unique natural absorbing characteristics. Resilmounts unique sound cell design guards against structure borne vibrations transferring into the body of the resilmount because of its strong column design providing a small percentage of contact surface area with the structure or substrate it is fastened to. This aids in absorbing and breaking up airborne sound at its transfer point.

INSTALLATION NOTES

- Fasteners: Wood Framing—#8 or #10 x 2" min. coarse thread screw. Steel Framing—#8 or #10 x 1 5/8" fine thread Hex Head screw. DO NOT USE NAILS.
- When using in ceiling applications, always check load ratings with Resilmount's engineers prior to installation
- Do not overtighten fasteners, maximum torque 45Nm



A48R