

Aspect



Combining elegance with strength, Aspect uses elliptical aluminium pilasters to create an eye catching and stylish cubicle system. Ideal for prestigious washrooms in offices, leisure facilities, restaurants and more, where careful selection of finishes can achieve stunning result.

Aspect uses high grade aluminium hardware powder coated to complement the frame colour with panels in either 18mm High Pressure Laminate or 13mm Solid Grade Laminate.

designers and manufacturers of exemplary washroom systems

call 01603 424855 fax 01603 413336 email info@dunhamsofnorwich.co.uk
Dunhams Washroom Systems The Granary School Road Neatishead Norwich NR12 8BU

www.dunhamsofnorwich.co.uk

VAT Registration No. 105 2240 29

Partners BH Dunham MH Dunham JN Dunham SG Dunham TJ Percival

Specification

Divisions/Doors

Panel spec options

SGL:

- Core/Face: Solid grade laminate with colour finish to both sides giving 13mm nominal thickness
- Edge: Polished and radiused

HPL

- Core/Face High density particleboard faced both sides with high pressure laminate giving 18mm nominal thickness
- Edge Matching 2mm thick impact resistant ABS lipping

Colour: From the Dunhams colour selector

Frame

Elliptical aluminium pilasters with continuous bullnose headrail

Finish: Polyester powder coated

Colour: Titanium silver or charcoal grey

Hardware

All fittings manufactured from high quality aluminium and PPC finish to match frame.

Pedestals: Sturdy, height adjustable with concealed fixing sleeve

Hinges: High strength twin bolt through, with self-closing cams

Indicator Bolt: Integrated into frame with easy turn latch, DDA compliant

Partition Fixing: Full length bolt through channel bracket

Coat Hook: Matching coat hook, 1 per cubicle

Dimensions

Overall Height: 1980mm (Option for full height up to 2450mm from floor level)

Widths: from 700mm

Floor Clearance: 150mm

Depth: 1500mm standard (see quote for depth allowed)

Panel Thickness 18mm

Options

Full Height system: Aspect can be supplied full height as an extra with panels up to 2450mm high from floor level.

designers and manufacturers of exemplary washroom systems

call 01603 424855 fax 01603 413336 email info@dunhamsofnorwich.co.uk

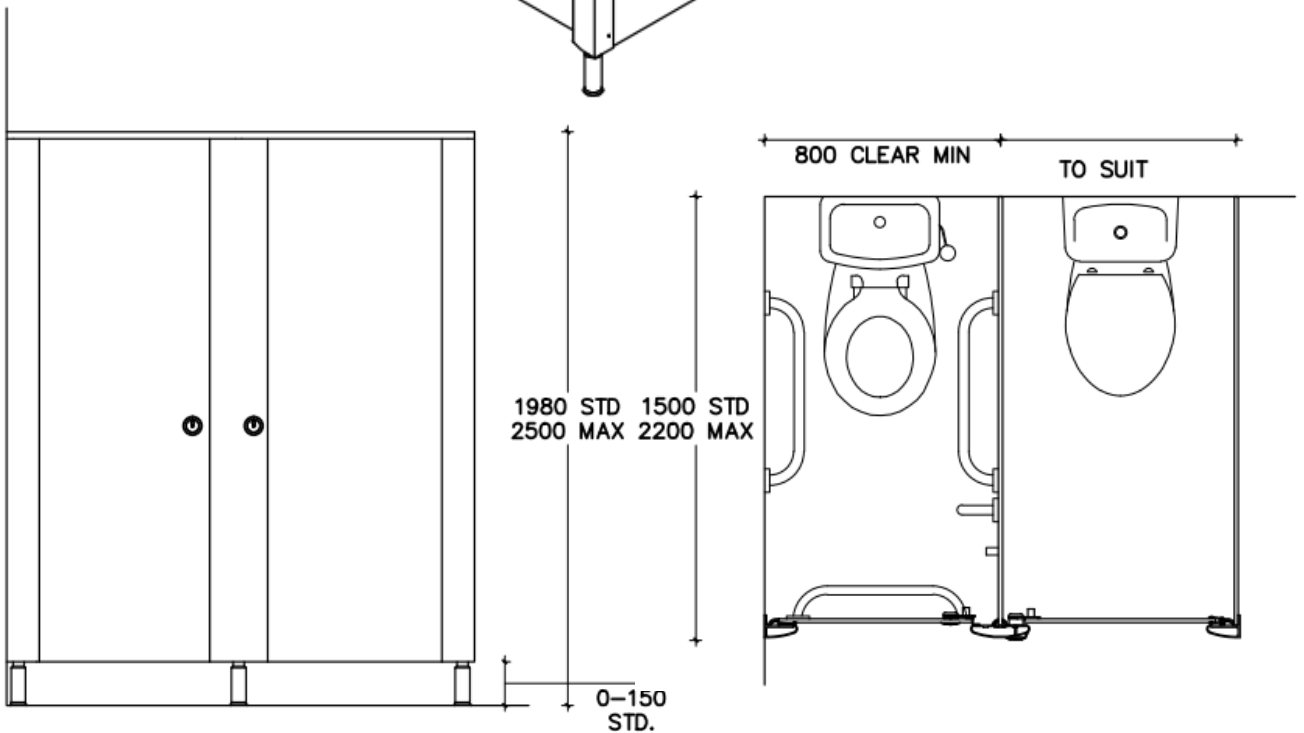
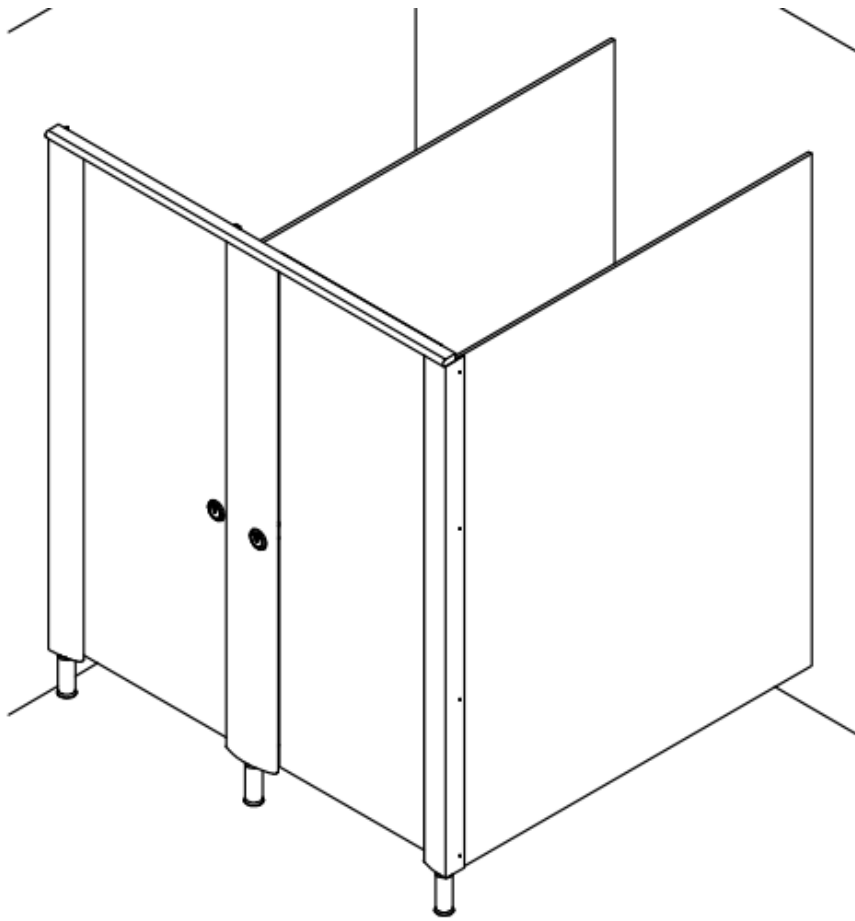
Dunhams Washroom Systems The Granary School Road Neatishead Norwich NR12 8BU

www.dunhamsofnorwich.co.uk

VAT Registration No. 105 2240 29

Partners BH Dunham MH Dunham JN Dunham SG Dunham TJ Percival

Technical Drawings



designers and manufacturers of exemplary washroom systems

call 01603 424855 fax 01603 413336 email info@dunhamsofnorwich.co.uk
Dunhams Washroom Systems The Granary School Road Neatishead Norwich NR12 8BU

www.dunhamsofnorwich.co.uk

VAT Registration No. 105 2240 29

Partners BH Dunham MH Dunham JN Dunham SG Dunham TJ Percival