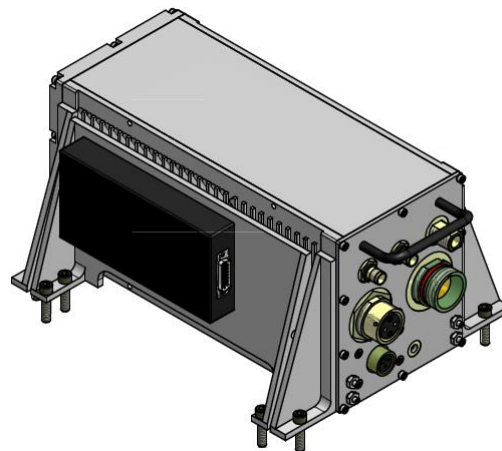


SWaP Software Defined Sonobuoy



- **Single VHF Antenna Input**
 - **Single UHF Antenna Output**
 - **32 Channels**
 - **Software Upgradeable via Ethernet**
 - **Digital Output (Ethernet)**
 - **4 Output Analog High Audio Module (optional)**
 - **AIS (Automatic Identification System) Reception**
 - **Improved Digital Sonobuoy Support**
 - **Built In Test Signal Generator**
 - **GPS Sonobuoy Support**
 - **UHF Sonobuoy Downlink (Requires External High Power Amplifier)**
-
- **Overall Size (inches): 5.85 x 4.88 x 12.75**
 - **Weight: <15 lbs**
 - **Input Power: < 60 Watts, 28 VDC (standard)**
 - **Optional External AC power supply (47-440 Hz, 92-138 VAC)**



Shown with optional AC power supply