

## FORT KNOX ANCHOR BOLT INSTALLATION INSTRUCTIONS

### MATERIALS FURNISHED IN FORT KNOX ANCHOR KIT:

1. FOR CONCRETE FLOORS: Four (4) Red Head LDT-1230 Hex Head 1/2" x 3" Self-Threading Anchors for Concrete "or equivalent in other brands".
2. FOR WOOD FLOORS: Four (4) 1/2" x 3" galvanized Lag Screws.
3. Four (4) 1/2" galvanized flat washers.
4. Instructions

### TOOLS TO BE SUPPLIED BY INSTALLER:

1. FOR CONCRETE FLOORS: Rotary hammer drill\*\* with 7/16" diameter carbide drill bit\*\* of sufficient length to drill 4" minimum deep holes centered in the four (4) pre-drilled anchor bolt holes in the steel safe bottom into the concrete floor under the safe. (See diagram at left)  
\*\* Or other tools to accomplish this task.
2. FOR WOOD FLOORS: Power drill with 7/16" diameter bit suitable for wood of sufficient length to drill 3" minimum deep holes centered in the four pre-drilled holes described in (1.) above.
3. Socket wrench with 3/4" socket.

### INSTALLATION INSTRUCTIONS:

Determine the correct anchor locations: The most accurate way to do this is to place the safe in its intended permanent position, then drill the holes into the floor through the existing anchor holes in the bottom of the safe (see sketch to the left). Four 11/16" diameter holes have been pre-drilled through the steel bottom of the safe for the purpose of anchoring it to the floor. These four anchor holes can be found by removing the vinyl plugs in the safe floor at the locations shown in the sketch. Follow the instructions listed below to install the anchors.

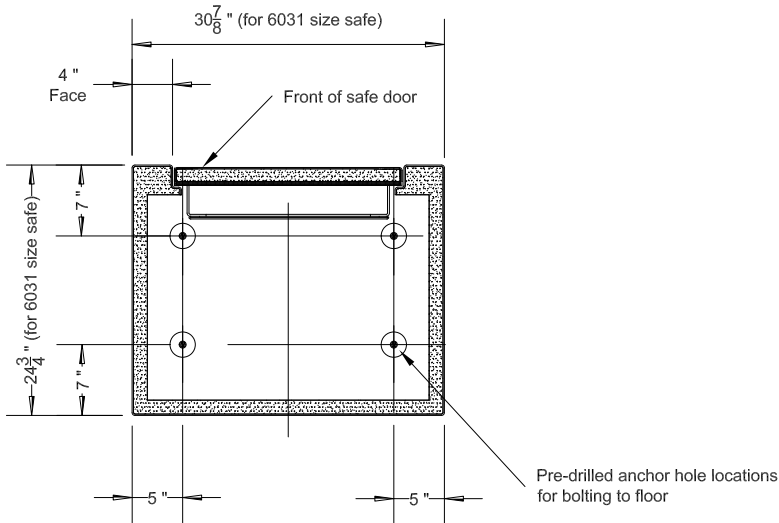
#### FOR CONCRETE FLOORS:

1. Drill a 7/16" diameter hole x 4" minimum depth into the concrete floor in the center of each of the four anchor hole locations. Clean the drill fines out of the holes.
2. Using an electric impact wrench (or socket wrench for hand installation) insert anchor with flat washer into hole and tighten until fully seated.
3. Replace vinyl plugs firmly into holes in floor of safe.

#### FOR WOOD FLOORS:

1. Drill a 7/16" diameter hole x 3" deep into the wood floor in the center of each of the four anchor hole locations. Clean the drill fines out of the holes.
2. Using a hand socket or drill with socket, install a lag screw with washer into each of the drilled holes and tighten until fully seated.
3. Replace vinyl plugs firmly into holes in floor of safe.

FORT KNOX SECURITY PRODUCTS  
FOLDER: ANCHORS  
DRAWING: 4- ANCHOR LAYOUT DD  
ISSUED: 4/28/11  
REV:



### - Cut-away Plan View of Safe Body -

(Nominal 6031 size safe dimensions are shown)  
See chart below for nominal safe body outside dimensions for all safe sizes.

#### SAFE BODY SIZE CHART (measured outside)

MODEL	WIDTH	DEPTH
6026	26 1/4"	19 5/8"
6031	30 7/8"	24 3/4"
6637	36 7/8"	26 5/8"
7241	40 7/8"	26 5/8"
7251	50 7/8"	26 5/8"
7261	60 7/8"	26 5/8"