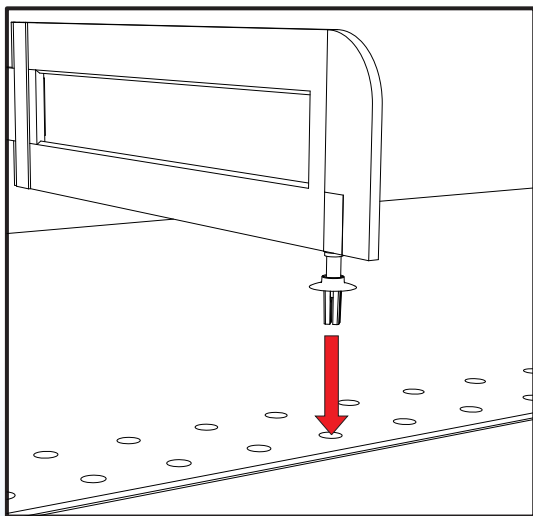
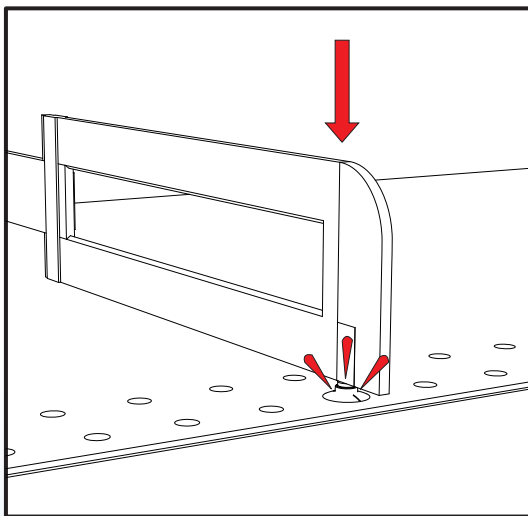


Clip-In Adjustable Divider HOW DOES IT WORK?

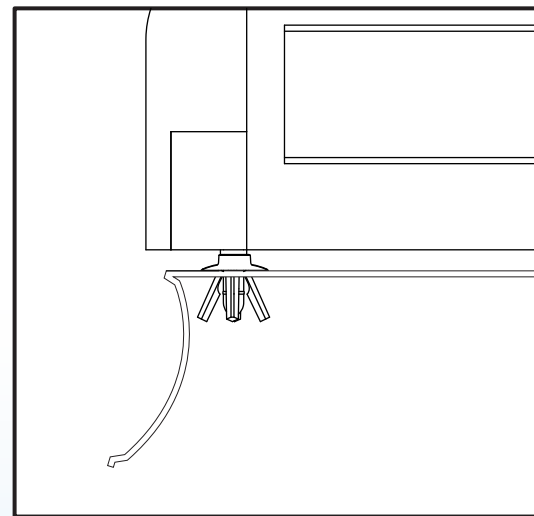
The Clip-In Adjustable Divider comes with a front pin allowing a clean look to your shelves. Installation and removal is fast and easy.



1 Locate hole on front shelf



2 Insert pin into hole until it snaps in place



(Side View)