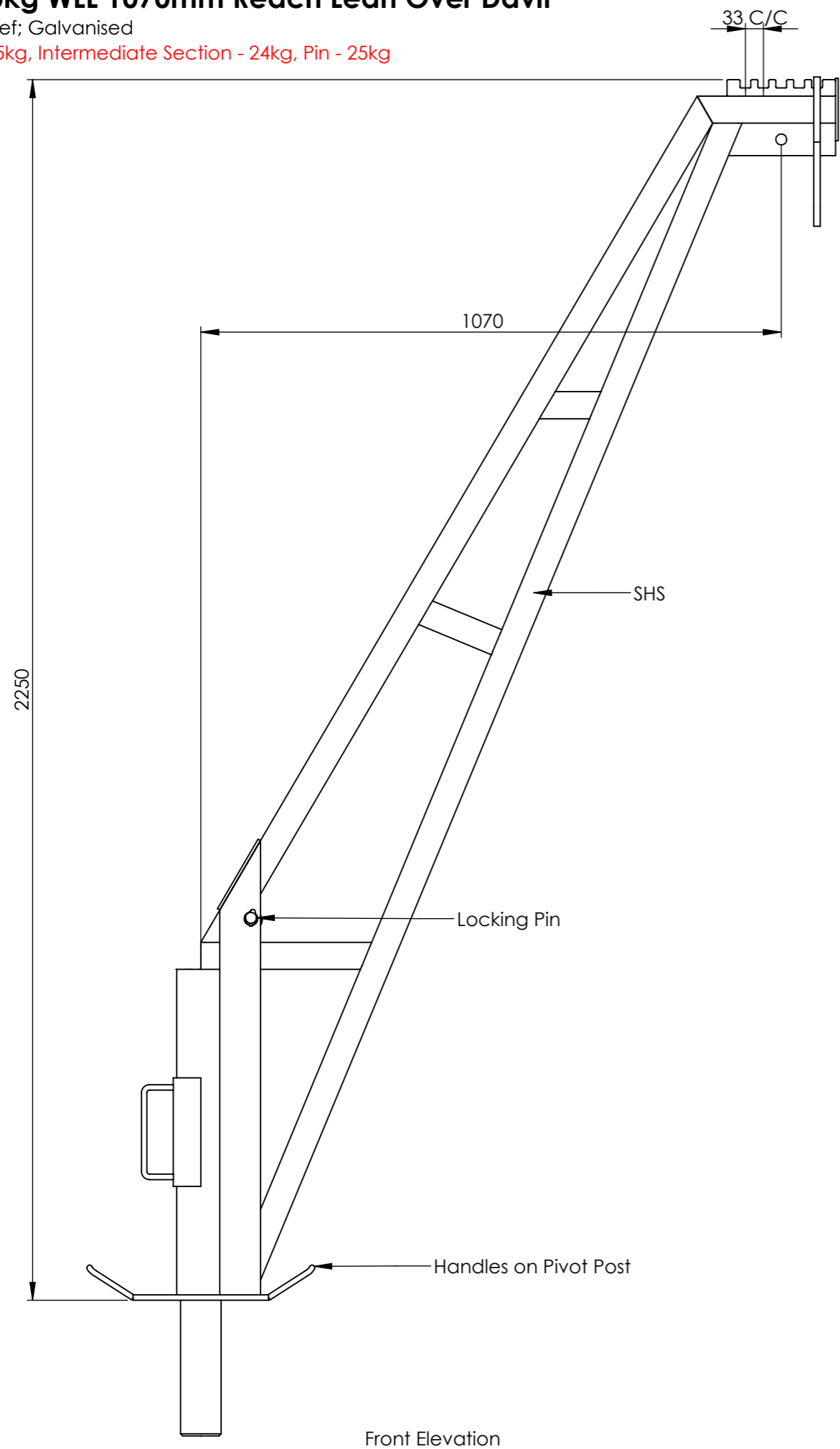


# "1000kg WLL 1070mm Reach Lean Over Davit"

Finish Ref; Galvanised

Arm - 25kg, Intermediate Section - 24kg, Pin - 25kg



Isometric View

## General Notes / Revisions

This drawing remains the property of T Allen Engineering Services Ltd and may not be copied or distributed, wholly or partially, without express permission in writing. If in doubt, ask. Unless otherwise stated, the structural integrity of the supporting substrate or superstructure should be ascertained by the customer. T Allen Engineering Services Ltd takes no responsibility

DO NOT SCALE OFF THIS DRAWING

Drawing No.	TAE-250-01		
Description	1000kg WLL Davit		
Revision	A		
Drawn By	D.Johnson		
Scale	1:10 @ A3	Sheet	1 of 1
Date	13/03/2017		



Automated Environmental Systems  
Ltd., Unit 1, 1 Wimbledon Avenue,  
Brandon, IP27 0NZ T: 01842 819130

sales@automatedenvironmentalsyst  
ems.co.uk