

Mains Tap Systems

Important: To comply with water regulations your tap must be fitted with a double check valve. If your tap has a small nut on the underside it has one fitted if not changing the tap is the easiest option. If in doubt consult a qualified plumber or call :-
0151 513 5400 email info@watermate.co.uk

Installation Guide

- Plan out the best route for the main 13mm supply hose, consider disguising it behind foliage or under forest bark for example. The hose can be secured to walls and fences with masonry nail clips supplied with some of the kits. It can also be buried under soil and paths make sure it is not going to be in an area that is cultivated. Use a conduit under paths, overflow pipe from a builders merchants is ideal. Hold down stakes are also available on the website.
- Attach the tap connector to the tap or to the bottom of the timer if one is being used. Measure the hose to the first joint cut and soften in hot water -be careful- then attach it to the tap connector at one end and to the joint at the other. If you need to separate a joint pour hot water on it first.
- Continue to fit the supply hose into the areas you are going to water with the tees and elbows supplied. When you have completed your layout flush the line by turning the tap on then off and fit an end stop. Connecting the jets:- Break off the connector from the basket/pot spikes or 30cm border stakes. Decide where you are going to connect into the 13mm hose and using the orange key/punch make a hole in the hose. Insert the connector into the hole ensuring it is over the barb.
- Baskets and pots** — Attach the 4mm hose to the connector and cut to length required. Running the hose at the back of the pot or behind drain pipes for baskets can help to disguise the hose. Attach the hose to the wall with small masonry nail clips if required. Attach the spike to the hose and place in the basket, pot or trough. The flow can be controlled by the adjustable top on the spike, they can also be turned off.
- Borders** — Attach the 4mm hose to the connector and cut to length required. We suggest running the main supply hose at the back of the border and bringing the 4mm hose to the front or centre and attach to the 30cm stake. A selection of jets is available to ensure complete coverage. Screw the selected jet into the top of the stake. Position the stake to obtain ideal direction and coverage of watering.
- Soaker dripline** — Connect the soaker dripline to the 4mm straight connector and run down the length of the area to be watered close to the plants. Cut and fit a 4mm end stop into the soaker dripline, continue fitting extra runs approximately 30cm apart. A line of 13mm supply hose can water approximately 20 runs of soaker dripline 10 metres long.

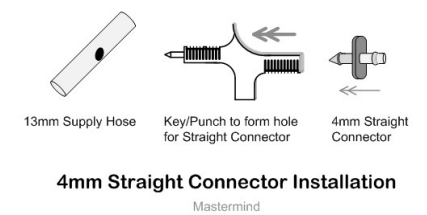
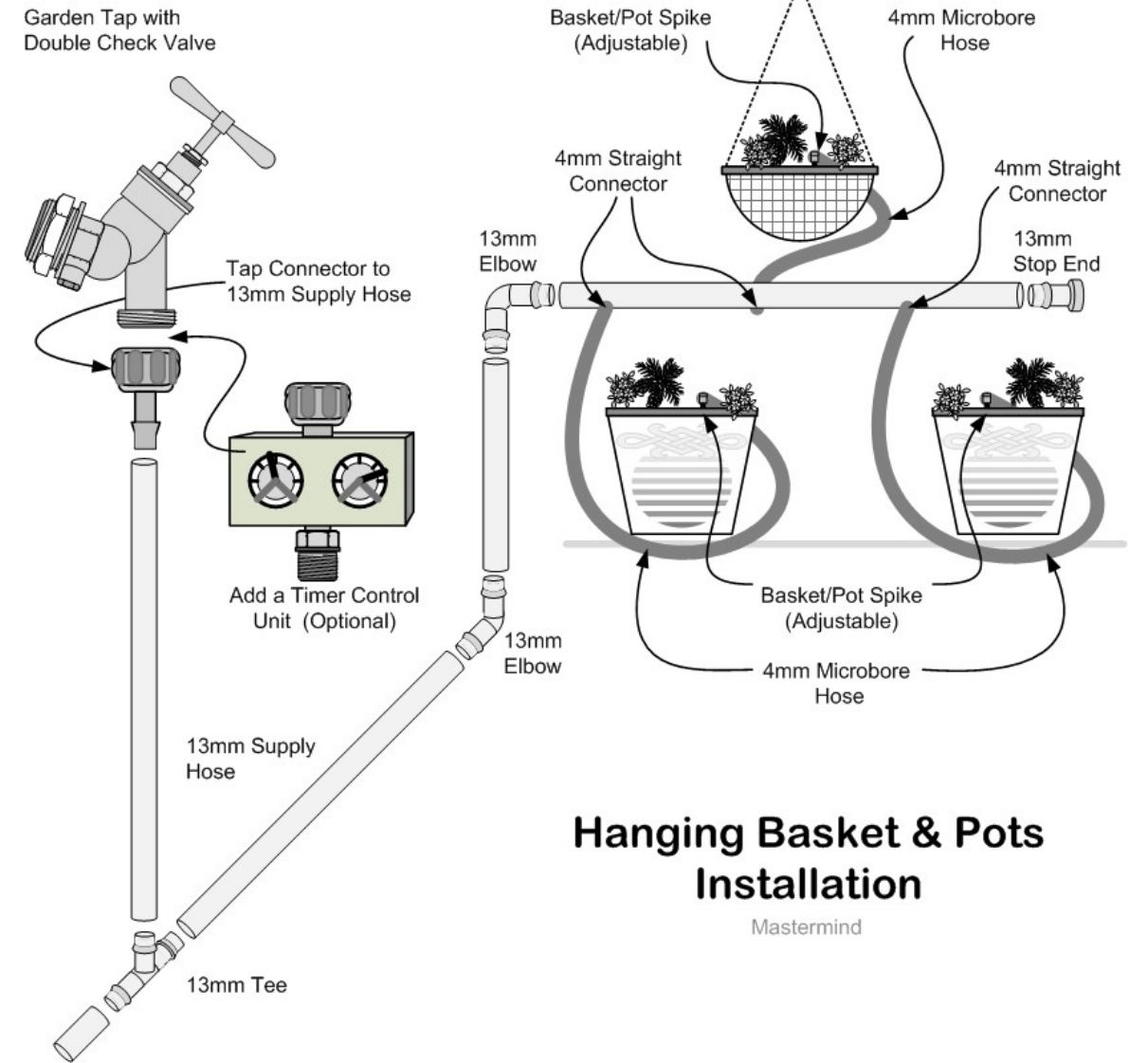
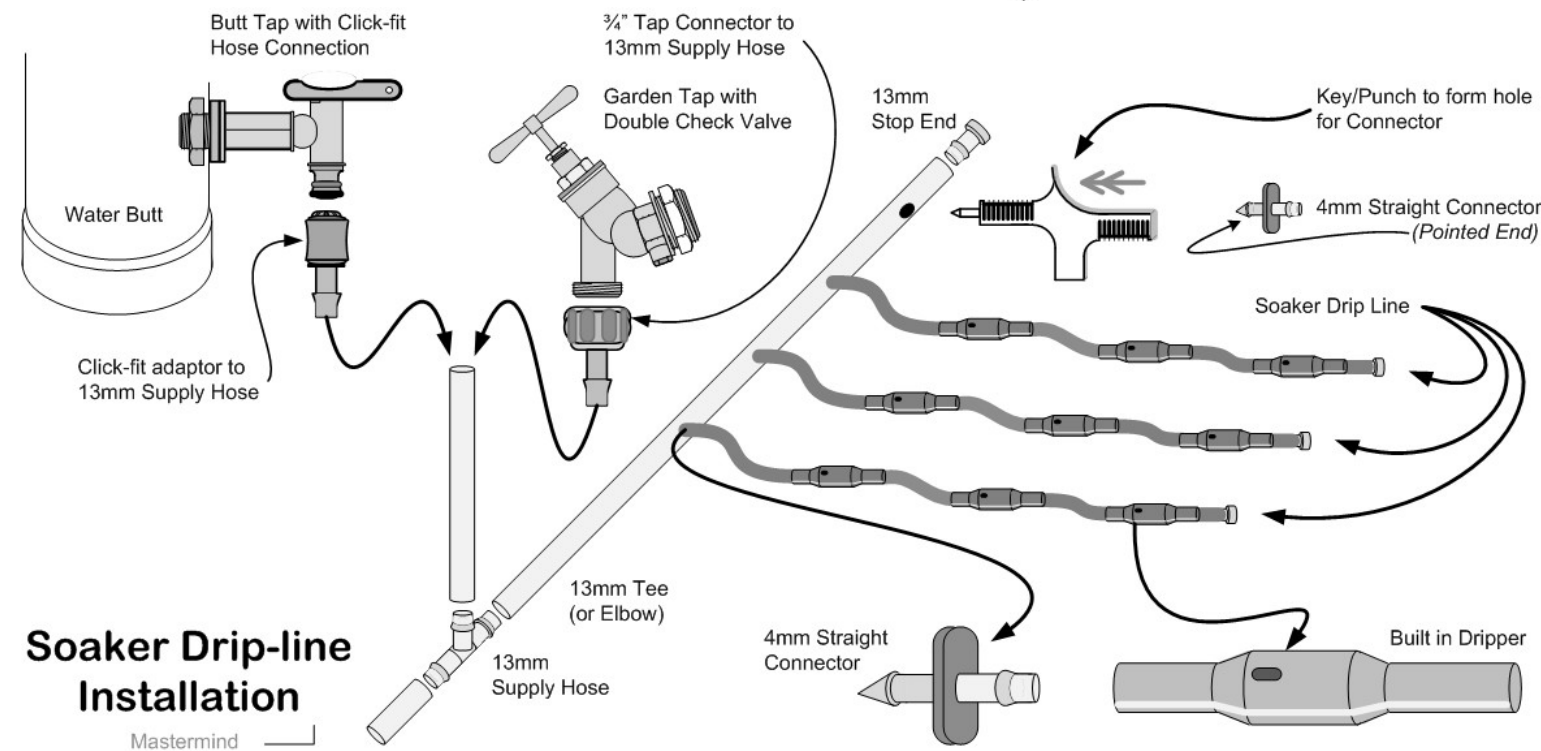
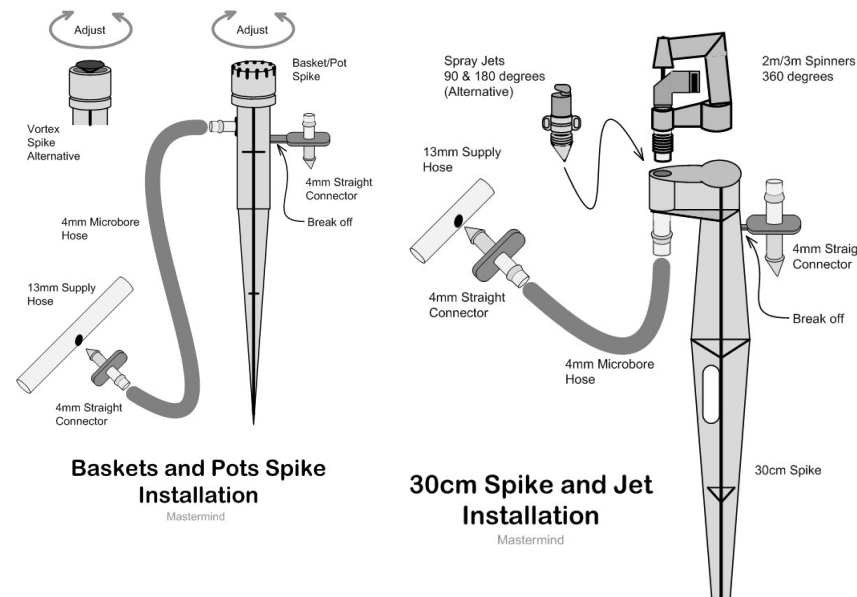
Mastermind Products Ltd

www.watermate.co.uk

Thank you for purchasing this irrigation system. Installation of your system is quick and easy however if you do require any assistance please do not hesitate to contact us. 0151 513 5400 — info@watermate.co.uk

Helpful Efficient Use Guide

See Reverse Side of instruction sheet



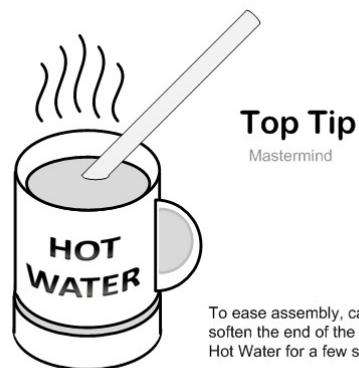
Mastermind Products Ltd Soft Rain Installation Guidelines

Gravity Flow Systems

Important: Ensure your water butt is clean as small particles of dirt may block the jets. Filter your rainwater, a simple option is to use two ladies stockings, one inside the other secure to the inlet with a cable tie. Change every six months. Rainwater diverters and filters are available contact us or visit the website. 0151 513 5400 - info@watermate.co.uk
www.watermate.co.uk

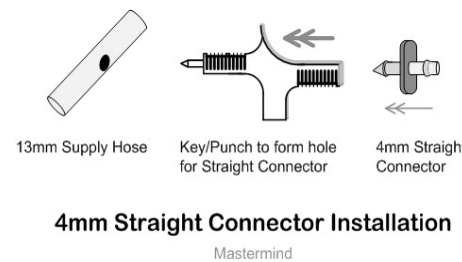
Installation Guide

- Connecting the hose to the water butt depends on the type of butt tap that is fitted. A butt tap with a 3/4 inch thread allows you to use a standard tap connector or a gravity timer which is then fitted to the 13mm hose with a tap connector. To connect to a tap with male click use the female click x 13mm tail fitting attach a length of 13mm hose, minimum 65mm. Fit the male adaptor to the 13mm hose and attach your timer. The higher the water butt is off the ground the more efficient your gravity system will work
- Measure the hose to the first joint cut and soften in hot water -be careful-then attach it to the tap connector at one end and to the joint at the other. If you need to separate a joint pour hot water on it first.
- Continue to fit the supply hose into the areas you are going to water with the tees and elbows supplied. When you have completed your layout flush the line by turning the tap on then fit an end stop into the 13mm hose.
- Connecting the jets:- Break off the connector from the pot spikes or locate the 4mm straight connectors in the kit. Decide where you are going to connect into the 13mm hose and using the orange key/punch make a hole in the hose. Insert the connector into the hole ensuring it is over the barb.
- Pot Spikes** — Use the pot spikes to water individual plants, pots or growbags. Attach the 4mm hose to the connector cut to length and fit to the pot spike. The flow can be controlled by the adjustable top on the spike, they can also be turned off.
- Soaker dripline** — Connect the soaker dripline to the 4mm straight connector and run down the length of the area to be watered close to the plants. Fit a 4mm end stop into the soaker dripline. On a gravity fed system we recommend a maximum run of 5metres of soaker dripline from the 13mm supply hose. Approximately 20 runs 5 metres long can be supplied from each line of 13mm hose.



Top Tip
Mastermind

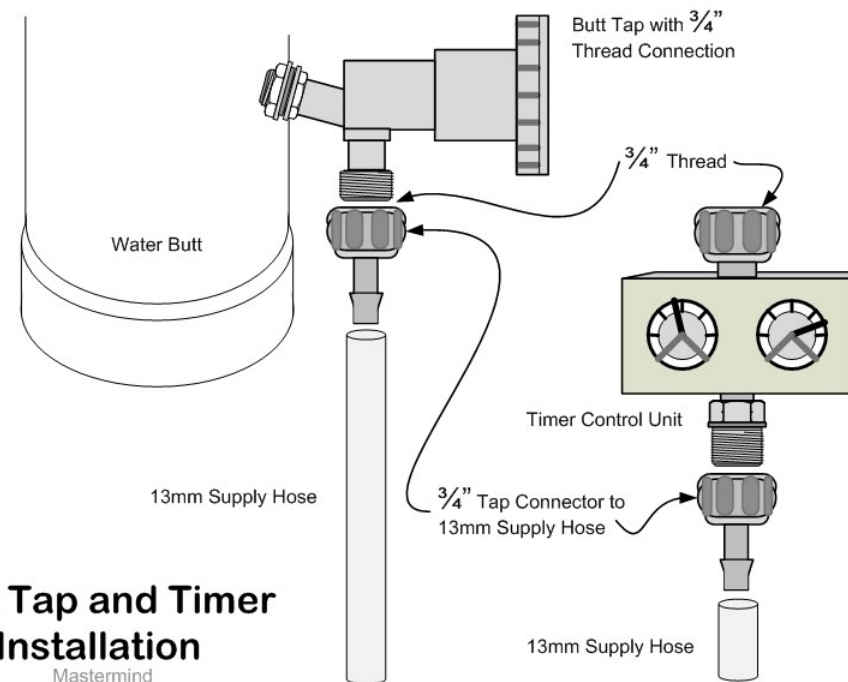
To ease assembly, carefully soften the end of the hose in Hot Water for a few seconds.



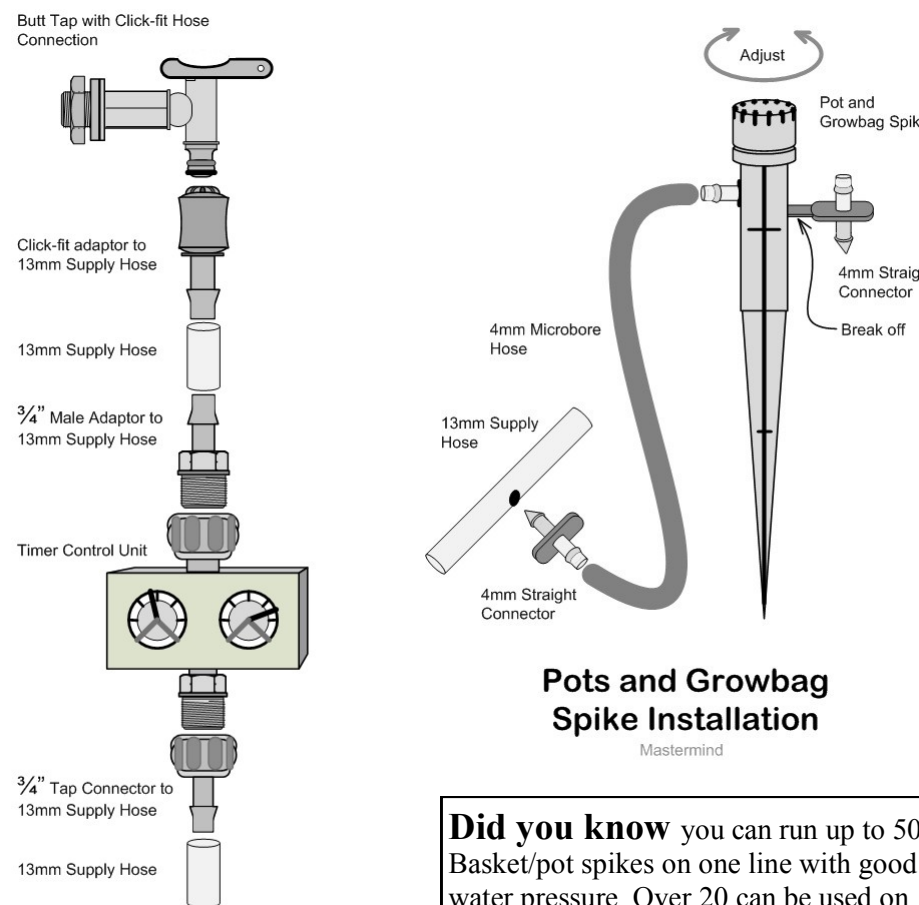
4mm Straight Connector Installation
Mastermind

Did you know you can add a liquid fertiliser to your water butt to feed your plants. An inline feeder is also available for mains tap systems

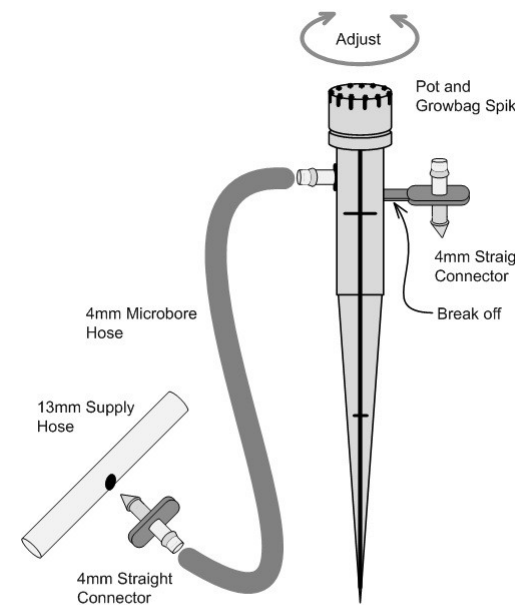
Thank you for purchasing this gravity flow irrigation system. Installation is quick and easy however if you do require any assistance please do not hesitate to contact us. 0151 513 5400 — info@watermate.co.uk Further information also available on the website - www.watermate.co.uk



Butt Tap and Timer Installation
Mastermind



Butt Tap and Timer Adaptor Installation
Mastermind



Pots and Growbag Spike Installation
Mastermind

Did you know you can run up to 50 Basket/pot spikes on one line with good water pressure. Over 20 can be used on gravity fed systems.

Efficient Use Guide Gravity Systems

Pots and Growbags These can dry out quickly so frequent watering is best. Early in the season 2 minutes twice a day is normally sufficient to maintain a moist compost in the pots and grow bags. The duration and frequency of watering can be increased as the plants grow or during hot weather. You can adjust the volume of water in each container by turning the top of the spike clockwise to increase the flow and diameter of the water and anti clockwise to decrease. **I**

Important monitor the moisture in the pots and growbags when you start your watering system or when adjustments are made to the timings .

Soaker Dripline Try to avoid your borders and beds drying out before you start watering them. Check the moisture 25mm below the surface if it feels dry start your watering system. Three or four times a week for approximately one hour should be sufficient early in the season. Watering at night is more efficient as it reduces evaporation.

Raised beds dry out quicker and should be watered every other day.

Soaker dripline watering is less obvious than sprinklers you should monitor the moisture under the surface of the soil on a regular basis. Adjust your watering frequency and duration to maintain moisture levels. Light sandy soil will need watering more often than heavy soils. Areas in direct sunlight for most of the day will require more water so water them for longer. Installing two separate zones one for the sunny area and one for the shaded area will give you more efficient watering allowing you to water the shaded area less.

Efficiently use your water by monitoring the moisture in your garden regularly and adjust your watering times accordingly.

Efficient Use Guide Mains Tap Systems

Baskets and pots These can dry out quickly so regular frequent watering is best. Early in the season 1 minutes watering twice a day is normally sufficient to maintain moist compost in the baskets and pots. The duration and frequency of watering can be increased as the plants grow or during hot weather. You can adjust the volume of water in each container by turning the top of the spike clockwise to increase the flow and diameter of the water and anti clockwise to decrease.

Important monitor the moisture in the baskets and pots when you start your watering system or when adjustments are made to the timings

Borders (spray jets) Try to avoid your borders and beds drying out before you start watering them. Check the moisture 25mm below the surface if it feels dry start your watering system. Twice or three times a week for 20 to 30 minutes should be sufficient early in the season. This can then be increased as the plants grow and the temperature increases. Light sandy soil will need watering more often than heavy soils. Areas in direct sunlight for most of the day will require more water so water them for longer. Installing two separate zones one for the sunny area and one for the shaded area will give you more efficient watering allowing you to water the shaded area less. Multi zone timers are available on the website or please call for help.

Efficiently use your water by monitoring the moisture in your garden regularly and adjust your watering times accordingly. Watering at night reduces evaporation.

Soaker Dripline Try to avoid your borders and beds drying out before you start watering them. Check the moisture 25mm below the surface if it feels dry start your watering system. Three or four times a week for approximately one hour should be sufficient early in the season. Watering at night is more efficient as it reduces evaporation.

Raised beds dry out quicker and should be watered every other day.

Soaker dripline watering is less obvious than sprinklers you should monitor the moisture under the surface of the soil on a regular basis. Adjust your watering frequency and duration to maintain moisture levels. Light sandy soil will need watering more often than heavy soils. Areas in direct sunlight for most of the day will require more water so water them for longer. Installing two separate zones one for the sunny area and one for the shaded area will give you more efficient watering allowing you to water the shaded area less. Multi zone timers are available on the website or please call for help.

Efficiently use your water by monitoring the moisture in your garden regularly and adjust your watering times accordingly.