

DOMINION CONTROLLER



DOMINION BY INTUITIVE AERIAL is a sophisticated toolset for wireless, high-precision control of the remotely operated AERIGON platform, camera and lens, as well as the NEWTON remote camera head. DOMINION is the most sophisticated and feature-rich gimbal and camera controller on the market.

DOMINION'S RUGGED, ergonomic and user-friendly design has a water repellent aluminum body featuring a large high-resolution focus wheel, iris knob, zoom rocker start/stop button and several user definable buttons and knobs. All input buttons and knobs are user-definable, the mapping and settings can be stored on a SD card as user profile.

A LARGE 5" HIGH-RESOLUTION DISPLAY provides the user with a responsive GUI that gives the user full control over camera and lens as well as enhanced gimbal telemetry for monitoring performance and image stability.

DOMINION COMMUNICATES with the remote operated AERIGON gimbal and camera system from up to 3000ft wirelessly utilizing a reliable 2.4GHz frequency-hopping spread spectrum signal.

EACH SIDE OF THE BODY has inserts for rock solid mounting of accessories. The unit comes with built-in NATO accessory rails for monitors and weight support.



DOMINION
BY INTUITIVE AERIAL

MAIN FEATURES

- ▶ Rugged, ergonomic and user-friendly design and intuitive GUI.
- ▶ Dual, reliable long-range data-links.
- ▶ Compatible with a wide range of cameras and lens control systems.
- ▶ Sunlight readable 5" display with real-time gimbal, camera and lens data.
- ▶ User customizable with multiple user profiles – storable on SD-card.
- ▶ Solid mounting of monitors and accessories.
- ▶ Power out for external monitors and receivers.
- ▶ Integratable with third party broadcast and cinema equipment.
- ▶ Upgradable firmware.

CONTACT

PHONE +46 13 99 13 990
E-MAIL SALES@INTUITIVEAERIAL.COM

INTUITIVE AERIAL AB (PUBL)
LOKSTALLSGATAN 8
SE - 582 73, LINKÖPING SWEDEN

INTUITIVEAERIAL.COM



DOMINION CONTROLLER

PHYSICAL SPECIFICATIONS

DIMENSIONS

396 x 209 x 115 mm.

WEIGHT

3.3 kg / 7.3 Lbs.

CONNECTORS

2x IA-CAN connectors
2x Power out (LEMO 1B.304)
1x Power in (LEMO 1B.304)
1x SD-card
1x USB
1x Ethernet

MOUNTING

Integrated 100mm NATO accessory rail.
Tripod mount.
Neck strap and harness attachment rail.

DISPLAY

5" TFT-LCD Color (800x480).

MATERIAL

Machined Aluminum.

ENVIRONMENTAL

PROTECTION

Dust and water protected.

TEMPERATURE RANGE

-20°C to +50°C (-4°F to 122°F)

POWER

INPUT SUPPLY

12-24V DC

POWER CONSUMPTION

5W

POWER OUTPUT

External supply voltage (12-24V) or; battery voltage (14.4V nom), Max 2.5A.

BATTERY

Integrated 14.4V Li Ion

DATA-LINK

FREQUENCY

2.4000-2.4835 GHz Frequency Hopping Spread Spectrum
Secondary frequency option available

RANGE

Up to 1000 m

WIRED CONTROL

INTERFACE
Ethernet UDP

MISC

CAMERA RUN/STOP

RED Epic/Dragon/Waon
ARRI Alexa Mini
Others via RT Motion Lens control

LENS CONTROL

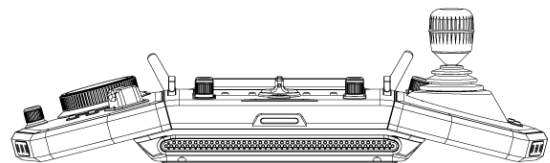
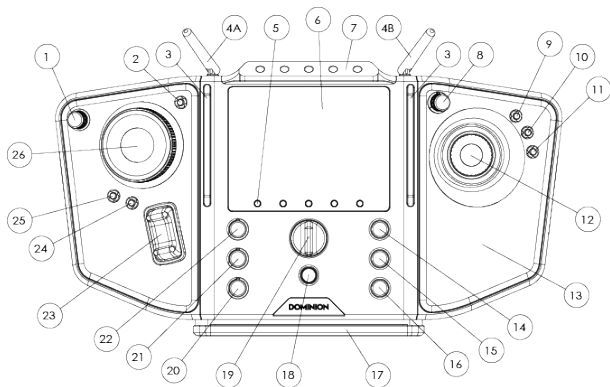
Canon Broadcast lenses (HJ14ex4.3 and similar)
Canon Cine-Servo
Fujinon Broadcast lenses
RT Motion mk3.1

SOFTWARE UPGRADE

Via CAN Bus (IA-CAN)
(Mac OS X, Windows)

SYSTEM INTERFACE

Ethernet
CAN Bus (IA-CAN)



1 Iris knob.

2 User defined button for camera and lens actions.

3 Harness attachment rails.

4 A-B Antenna.

5 GUI interaction buttons (5x).

6 5" TFT-LCD color display.

7 Integrated NATO accessory rail.

8 User defined input knob.

9-11 User defined action button.

12 Joystick 3-axis, pan/tilt/roll.

13 Silicone hand rest.

14-16 User defined input knob.

17 Carrying bar/adjustable support bracket.

18 Start/stop/shutter button.

19 Control mode switch.

20 Roll speed.

21 Pan speed.

22 Tilt speed.

23 Zoom rocker.

24-25 User defined button for camera and lens action.

26 Focus wheel.