



# lumenbeam<sup>TM</sup>

Architectural floodlighting LED luminaire

**lumenpulse<sup>TM</sup>**

Sustainable architectural LED lighting systems



## Architectural floodlighting LED luminaire

The **Lumenbeam** is an IP66 outdoor luminaire perfect for all architectural flood lighting applications in both exterior and large public interior spaces. It is available with 5 different optics and various mounting options as well as a 0-10 volt dimming option. The **Lumenbeam** is a line voltage luminaire for 120 to 277 volts using only 44 watts, producing 2413 delivered lumens and distributing 98269 candelas at nadir with the 6° optic. The **Lumenbeam** offers unmatched photometric performance on the market today. The **Lumenbeam** is designed to ensure sustainability throughout its life, allowing ease of maintenance for component replacement without having to replace the luminaire.

The **Lumenbeam** comes with the lumenpulse standard 5 year warranty on its complete assembly.

- Line voltage luminaire for 120 to 277 V
- Power and data in 1 cable
- 0-10 volt dimming option
- 6°, 10°, 30°, Elliptical distribution on 10° and 30° optics
- 44 watts total power consumption
- 2413 delivered lumens and 98269 candelas at nadir with the 6° optic
- Minimum 1 fc @ 313 feet distance (4000° K, 6° optic)
- Sustainable design for ease of maintenance
- Visor, snoot and wire guard options
- Yoke and pole mount options
- Lumen maintenance L70 @ 25°C - 105 000 hrs
- Lumen measurements comply with LM - 79 - 08 standard.
- 5 year warranty





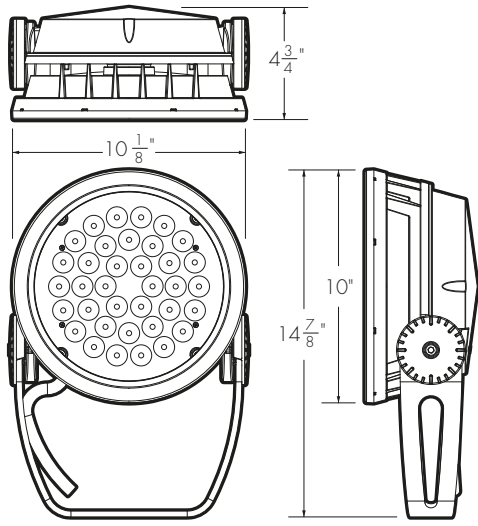
Categories	Specifications																															
<b>Output</b>	Beam Angles	6°, 10°, 30°, Elliptical distribution on 10° and 30°																														
	Color Temperatures	2700° K / 3000° K / 4000° K																														
	Static Colors	Red, Green, Blue																														
	Lumens*	<table border="0"> <tr> <td>2700° K</td> <td>6° - 2002 lm</td> <td>3000° K</td> <td>6° - 2244 lm</td> <td>4000° K</td> <td>6° - 2413 lm</td> </tr> <tr> <td></td> <td>10° - 1867 lm</td> <td></td> <td>10° - 2093 lm</td> <td></td> <td>10° - 2250 lm</td> </tr> <tr> <td></td> <td>30° - 1587 lm</td> <td></td> <td>30° - 1778 lm</td> <td></td> <td>30° - 1912 lm</td> </tr> <tr> <td></td> <td>10° + LSL - 1485 lm</td> <td></td> <td>10° + LSL - 1664 lm</td> <td></td> <td>10° + LSL - 1789 lm</td> </tr> <tr> <td></td> <td>30° + LSL - 1237 lm</td> <td></td> <td>30° + LSL - 1386 lm</td> <td></td> <td>30° + LSL - 1490 lm</td> </tr> </table>	2700° K	6° - 2002 lm	3000° K	6° - 2244 lm	4000° K	6° - 2413 lm		10° - 1867 lm		10° - 2093 lm		10° - 2250 lm		30° - 1587 lm		30° - 1778 lm		30° - 1912 lm		10° + LSL - 1485 lm		10° + LSL - 1664 lm		10° + LSL - 1789 lm		30° + LSL - 1237 lm		30° + LSL - 1386 lm		30° + LSL - 1490 lm
	2700° K	6° - 2002 lm	3000° K	6° - 2244 lm	4000° K	6° - 2413 lm																										
		10° - 1867 lm		10° - 2093 lm		10° - 2250 lm																										
		30° - 1587 lm		30° - 1778 lm		30° - 1912 lm																										
	10° + LSL - 1485 lm		10° + LSL - 1664 lm		10° + LSL - 1789 lm																											
	30° + LSL - 1237 lm		30° + LSL - 1386 lm		30° + LSL - 1490 lm																											
Efficacy	<table border="0"> <tr> <td>2700° K</td> <td>6° - 45.5 lm/W</td> <td>3000° K</td> <td>6° - 51 lm/W</td> <td>4000° K</td> <td>6° - 55.3 lm/W</td> </tr> <tr> <td></td> <td>10° - 42.4 lm/W</td> <td></td> <td>10° - 47.5 lm/W</td> <td></td> <td>10° - 51.4 lm/W</td> </tr> <tr> <td></td> <td>30° - 36 lm/W</td> <td></td> <td>30° - 40.4 lm/W</td> <td></td> <td>30° - 44.1 lm/W</td> </tr> <tr> <td></td> <td>10° + LSL - 33.7 lm/W</td> <td></td> <td>10° + LSL - 37.8 lm/W</td> <td></td> <td>10° + LSL - 41.3 lm/W</td> </tr> <tr> <td></td> <td>30° + LSL - 28.1 lm/W</td> <td></td> <td>30° + LSL - 35.1 lm/W</td> <td></td> <td>30° + LSL - 34.4 lm/W</td> </tr> </table>	2700° K	6° - 45.5 lm/W	3000° K	6° - 51 lm/W	4000° K	6° - 55.3 lm/W		10° - 42.4 lm/W		10° - 47.5 lm/W		10° - 51.4 lm/W		30° - 36 lm/W		30° - 40.4 lm/W		30° - 44.1 lm/W		10° + LSL - 33.7 lm/W		10° + LSL - 37.8 lm/W		10° + LSL - 41.3 lm/W		30° + LSL - 28.1 lm/W		30° + LSL - 35.1 lm/W		30° + LSL - 34.4 lm/W	
2700° K	6° - 45.5 lm/W	3000° K	6° - 51 lm/W	4000° K	6° - 55.3 lm/W																											
	10° - 42.4 lm/W		10° - 47.5 lm/W		10° - 51.4 lm/W																											
	30° - 36 lm/W		30° - 40.4 lm/W		30° - 44.1 lm/W																											
	10° + LSL - 33.7 lm/W		10° + LSL - 37.8 lm/W		10° + LSL - 41.3 lm/W																											
	30° + LSL - 28.1 lm/W		30° + LSL - 35.1 lm/W		30° + LSL - 34.4 lm/W																											
Lumen Maintenance	L70 @ 25°C - 105 000 hrs																															
<b>Electrical</b>	Input Voltage	120 V to 277 V																														
	Power Consumption	44 W																														
<b>Control</b>	Control Protocol	0 - 10 V dimming optional																														
<b>Physical</b>	Dimensions (Head Diameter x Height x Depth) Inches	ø 10 <sup>1/8</sup> " x 15" x 4 <sup>3/4</sup> "																														
	Weight	5,44 kg / 12 lbs																														
	Housing	Die-cast aluminum housing / Powder coated finish																														
	Lens	Clear tempered glass lens 5 mm																														
	Fixture Connectors	liquidtight cable connector / 3ft. power cable #16-3 or #18-5 dimming																														
	Ingress Protection	IP66																														
	Mounting	Adjustable yoke standard																														
	Operating Temperature	-25° C to 50° C																														
EPA	0,53 sq. ft.																															
<b>Certification</b>	Certification	UL / cUL / CE / ROHS																														
	Environnement	Dry / Damp / Wet location																														

\* Lumen measurements comply with LM - 79 - 08 standard.

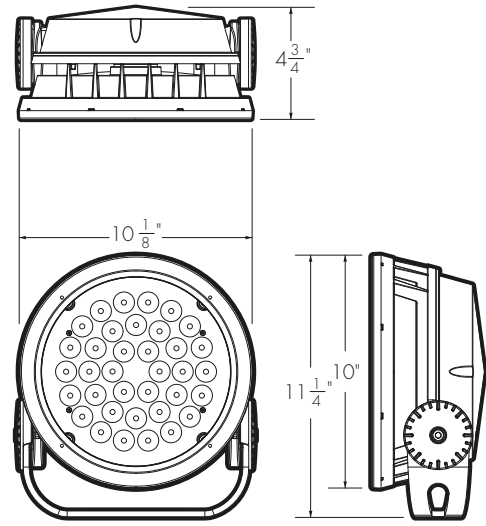


Lumenpulse reserves the right to make changes to this product at any time without prior notice and such modification shall be effective immediately.

Mounting Options

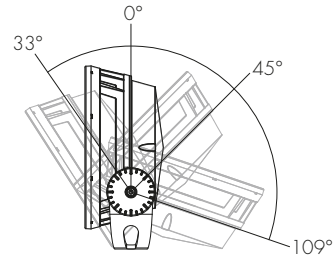
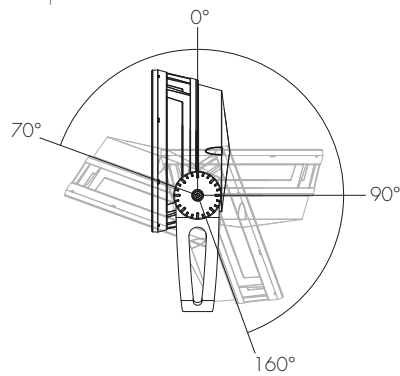


Standard Yoke

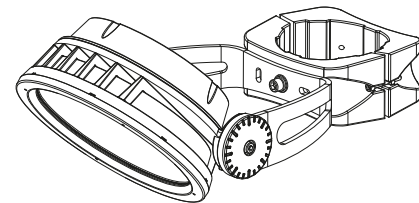
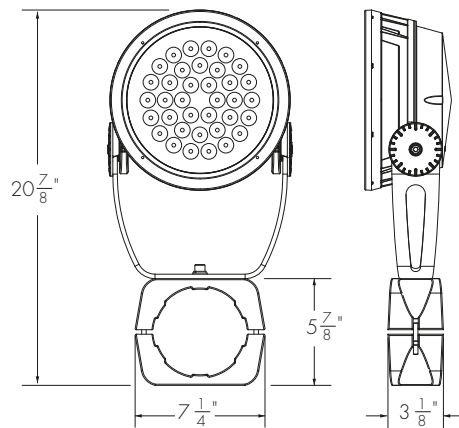


Short Yoke (optional)

Adjustable Pivot



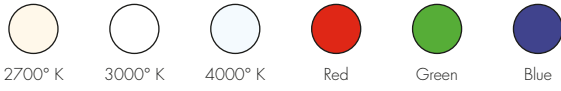
Pole Mounting Accessory



PM - Pole Mounting



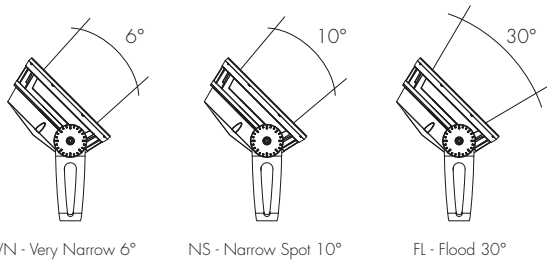
Available Colors and Color Temperatures



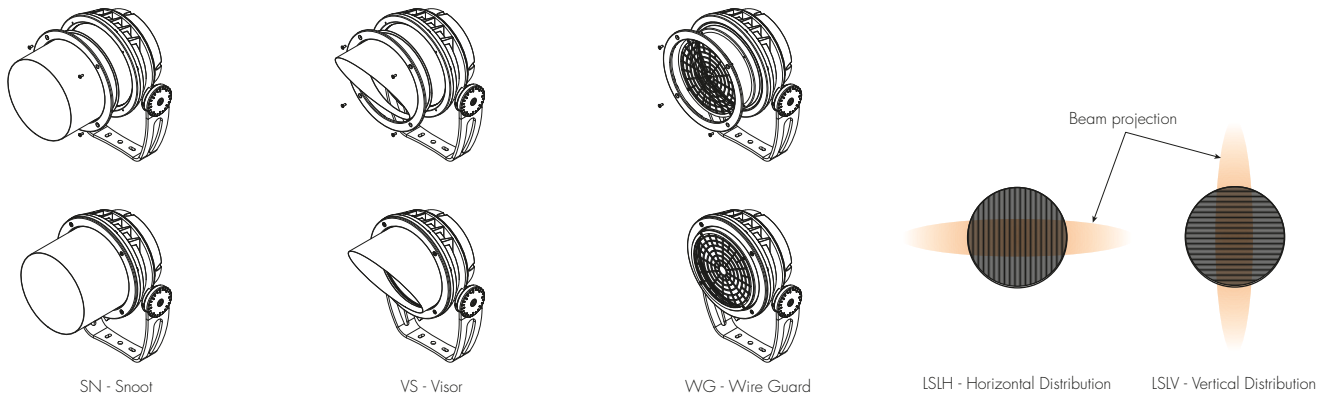
Finish



Optics



Accessories



How to order

LBL	120 208 240 277	27K (2700° K) 30K (3000° K) 40K (4000° K) Red Green Blue	VN - 6° NS - 10° FL - 30°	SN - Snoot VS - Visor WG - Wire Guard LSLH - Horizontal Distribution LSLV - Vertical Distribution	SI - Silver BK - Black WH - White CC - Custom*	PM5 - 5" ø Pole PM4.5 - 4.5" ø Pole PM4 - 4" ø Pole SY - Short Yoke DIM - Dimming 0 - 10 Volt
Housing	Voltage	Colors or color temperatures	Optic	Accessories	Finish**	Option
_____	_____	_____	_____	_____	_____	_____

\* Please specify RAL color.  
\*\* All metal finishes are fine textured.







Photometric data based on test results from an independent NIST traceable testing lab. IES data is available at [www.lumenpulse.com/en/downloads.html](http://www.lumenpulse.com/en/downloads.html)

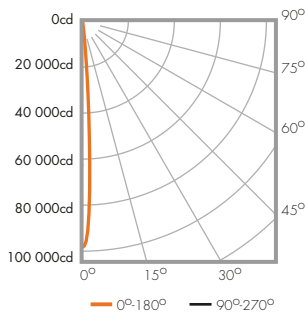
**Lumenbeam**

4000K

6° optic

Lamping	44 W
Lumens	2413
Efficacy	55.3 lm/W

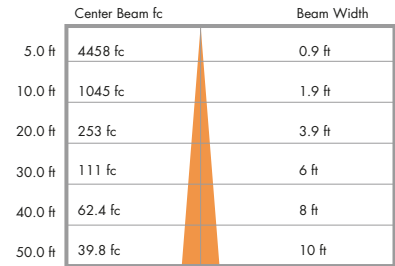
Polar Candela Distribution



Candela Table

	0	22.5	45	67.5	90
0	98269	98269	98269	98269	98269
5	24350	24350	24350	24350	24350
15	239	239	239	239	931
25	334	334	334	334	334
35	96	96	96	96	96
45	48	48	48	48	48
55	28	28	28	28	28
65	10	10	10	10	10
75	2	2	2	2	2
85	0	0	0	0	0
90	0	0	0	0	0

Illuminance at Distance



313 ft (95.4 m)  
1 fc @ nadir maximum distance

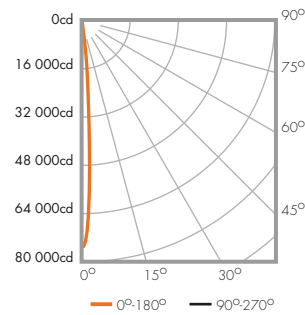
**Lumenbeam**

4000K

10° optic

Lamping	44 W
Lumens	2250.6
Efficacy	51.4 lm/W

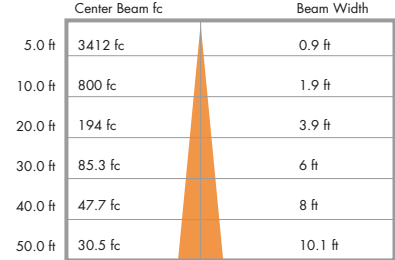
Polar Candela Distribution



Candela Table

	0	22.5	45	67.5	90
0	75221	75221	75221	75221	75221
5	24092	24092	24092	24092	24092
15	553	553	553	553	553
25	258	258	258	258	258
35	143	143	143	143	143
45	90	90	90	90	90
55	27	27	27	27	27
65	12	12	12	12	12
75	1	1	1	1	1
85	0	0	0	0	0
90	0	0	0	0	0

Illuminance at Distance



274 ft (83.5 m)  
1 fc @ nadir maximum distance

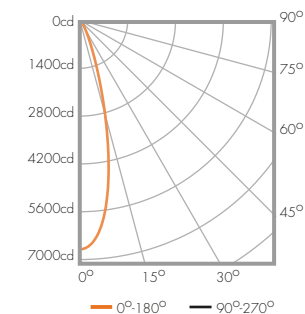
**Lumenbeam**

4000K

30° optic

Lamping	44 W
Lumens	1912.5
Efficacy	44.1 lm/W

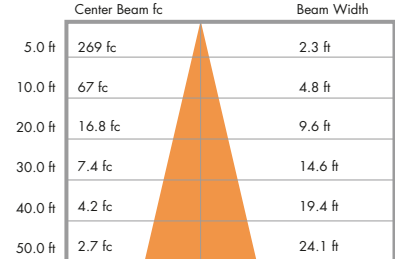
Polar Candela Distribution



Candela Table

	0	22.5	45	67.5	90
0	6698	6698	6698	6698	6698
5	6249	6249	6249	6249	6249
15	2858	2858	2858	2858	2858
25	691	691	691	691	691
35	213	213	213	213	213
45	87	87	87	87	87
55	33	33	33	33	33
65	9	9	9	9	9
75	0	0	0	0	0
85	0	0	0	0	0
90	0	0	0	0	0

Illuminance at Distance

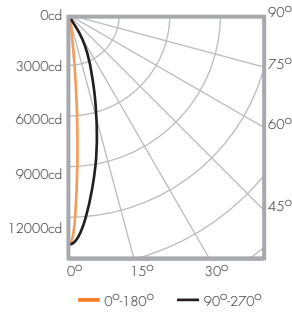


81.8 ft (24.9 m)  
1 fc @ nadir maximum distance

**Lumenbeam**  
4000K  
10° + LSL optic

Lamping	44 W
Lumens	1789
Efficacy	41.3 lm/W

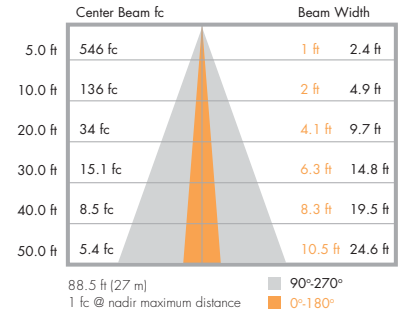
Polar Candela Distribution



Candela Table

	0	22.5	45	67.5	90
0	13613	13613	13613	13613	13613
5	5328	5836	7554	10393	11908
15	405	423	594	2356	6399
25	223	232	255	433	2908
35	122	131	136	168	1159
45	62	67	68	77	405
55	26	26	29	38	375
65	10	10	10	19	278
75	0	0	1	6	127
85	0	0	0	0	0
90	0	0	0	0	0

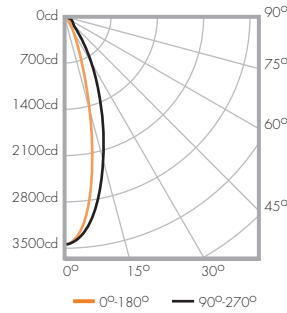
Illuminance at Distance



**Lumenbeam**  
4000K  
30° + LSL optic

Lamping	44 W
Lumens	1490.4
Efficacy	34.4 lm/W

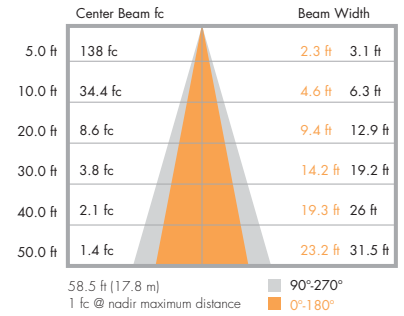
Polar Candela Distribution

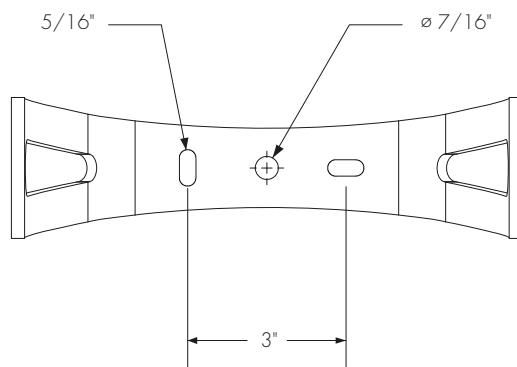
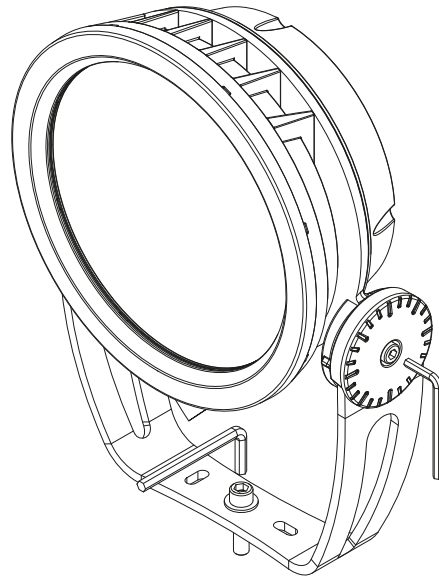


Candela Table

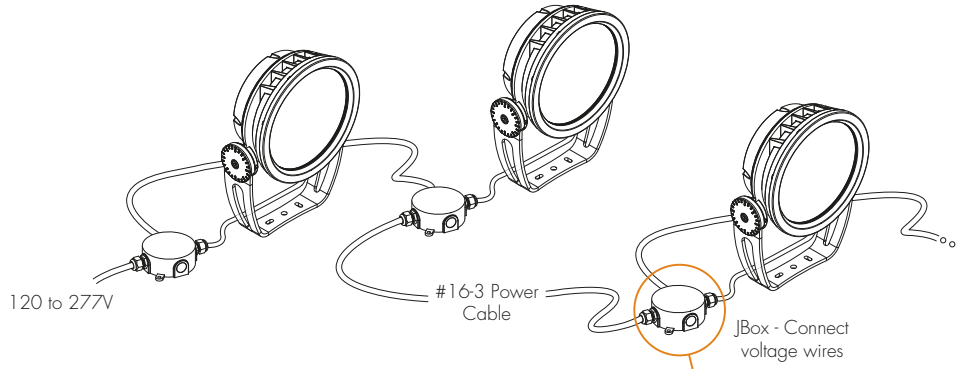
	0	22.5	45	67.5	90
0	3432	3432	3432	3432	3432
5	3152	3168	3211	3253	3270
15	1435	1536	1813	2115	2239
25	425	468	643	992	1180
35	161	172	223	396	511
45	74	76	88	140	192
55	32	33	36	70	148
65	11	11	13	35	119
75	1	1	3	14	56
85	0	0	0	0	0
90	0	0	0	0	0

Illuminance at Distance

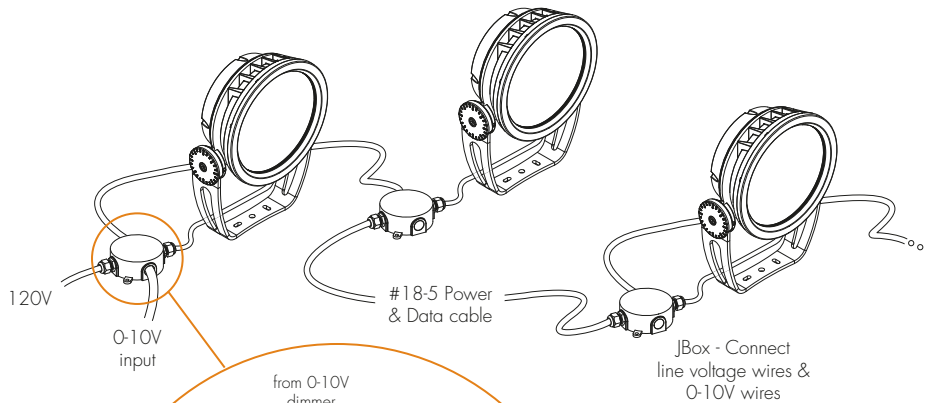
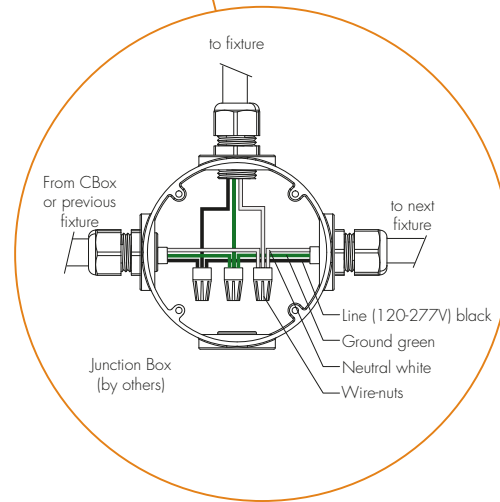




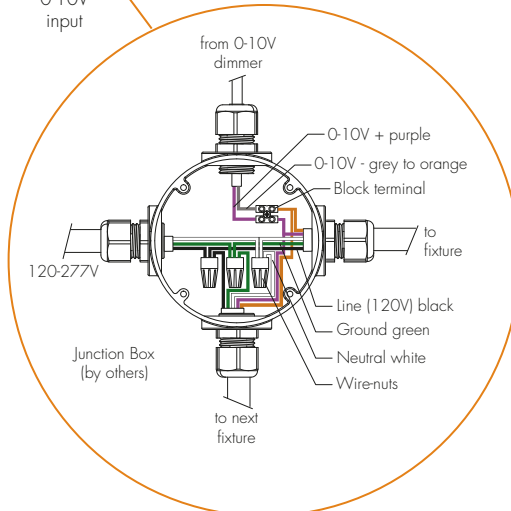
Bolt pattern for installations



Typical Wiring Diagram



Typical Wiring Diagram  
0-10V Dimming



Maximum run length for dimming applications :  
8 lumenbeams (18AWG cable) - 200' feet total  
(Consult factory for custom applications)



Museum of Contemporary Art of Montreal  
Design : Lightemotion





## A global presence

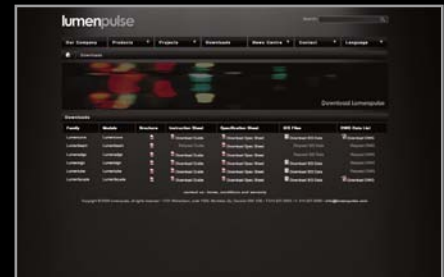
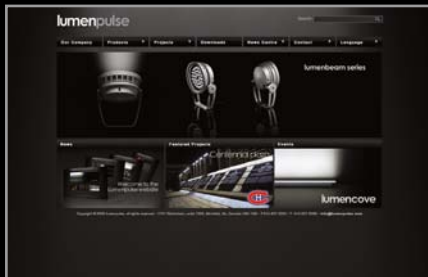
LUMENPULSE provides comprehensive customer service for projects worldwide. Please contact us at our head office at the address below. For North America, Lumenpulse is represented by a network of highly qualified agents across the continent. Close contact with our representatives, Regional Sales Managers and headquarters in Montreal ensures quick service for architects, lighting designers and lighting specifiers in every stage of the project. Contact your local LUMENPULSE sales representative or visit the LUMENPULSE web site at [www.lumenpulse.com/contact](http://www.lumenpulse.com/contact)

### Lumenpulse Head office

1751 Richardson, Suite 1300  
Montreal (Quebec)  
Canada H3K 1G6  
T. 877.937.3003  
P. 514.937.3003  
F. 514.937.6289  
[info@lumenpulse.com](mailto:info@lumenpulse.com)

## A tool to quickly find...

The LUMENPULSE official website [www.lumenpulse.com](http://www.lumenpulse.com) has distinctive sections in which it is possible to find information on products, projects in which we have participated, current updates, technical information, downloads, product specification and photometric data.



# lumenpulse™

**Montreal** Head office

1751 Richardson  
Suite 1300  
Montreal (Quebec)  
Canada H3K 1G6  
1.877.937.3003  
P 514.937.3003  
F 514.937.6289

[info@lumenpulse.com](mailto:info@lumenpulse.com)

[www.lumenpulse.com](http://www.lumenpulse.com)

Printed in Canada  
2010 / 02