

precision
refrigeration



Price List 2017





Precision Refrigeration. The best product at the best price.

Reliability. Excellent temperature control. Low running costs. Sustainability. Good looks. Ease of use.

We all know what we need from commercial refrigeration. Equipment that does the job, does it well, and doesn't break down.

We've built a company around a no-nonsense approach that gives customers the best possible product – including stainless steel exteriors and interiors, the latest technologies and the lowest running costs – at the best possible price. By combining innovative R&D with practical solutions, we've created products that deliver what today's foodservice operator wants.

We've taken it further by developing manufacturing techniques that allow us to be truly flexible, allowing us to tailor standard models to individual customer requirements. We offer over 16,000 potential product configurations in this price list alone.

Business isn't just about products, it's about people, too. That's why we're committed to delivering the best possible customer service, working in close partnership with our dealers. And it's why we offer a two year, no quibble warranty with 85% next day call out turnaround.

Our approach has proved popular: since 2009, Precision has achieved sales growth of at least 25% per year, every year.

precision
r e f r i g e r a t i o n

Precision, MEPS, Ecodesign and Energy Labelling

Following the implementation of Minimum Energy Performance Standard (MEPS) in July 2016, all relevant Precision products now have energy labels, along similar lines to those found on domestic appliances.

At this stage MEPS does not apply to products such as blast chillers, bottle coolers and prep counters with ingredients wells.

As a result of extensive upgrades across the range, our products are amongst the most efficient on the market. Although many look the same, behind the scenes nearly all the components have changed and use the latest, most energy-efficient technology throughout.

Most of the new products will have eco-friendly and ultra-energy-efficient R290 hydrocarbon refrigerant as standard – we plan to be as close as possible to 100% hydrocarbon during 2017.

The new MEPS tests are tough and, unless a product scores a minimum 'G' or above, it cannot be sold on the market. The upgrades we've undertaken mean that, for example, our top-selling MCU211 two door counter, HPU150 undercounter refrigerator and LPU150 undercounter freezer are all 'A' rated.



Precision – a brief history

1968

Precision Tools Thetford Ltd is founded as a stainless steel fabrication company.

2008

The company is acquired by Nick Williams and changes its name to Precision Refrigeration.

2010

Precision helps develop and is the first refrigeration manufacturer to use Envirofoam, a 'green' high performance insulation based on vegetable oils rather than petrochemicals.

2011

Precision launches Cyberchill, a sales and distribution subsidiary for the Australasian market.

2012

Precision Refrigeration Shenzhen is founded to serve the Chinese and Asian markets.

2014

Precision works with Honeywell on a new HFO-based refrigerant that is not only safer than hydrocarbon, but also has an even lower GWP.

2015

Precision Refrigeration (Middle East) FZE launches, based in Dubai and serving the Middle East markets.

2016

Precision launches Retro Refrigeration, combining vintage looks and ultra-modern technology.

2017

Precision aims to use 100% hydrocarbon refrigerant across the range.



precision
refrigeration

Top Mount Cabinets



Precision's durable all stainless steel top mount cabinets have been designed to provide commercial caterers with reliable, energy and cost efficient refrigerated storage solutions. Proudly made in the UK, these GN2/1 cabinets are capable of meeting the highest demands of commercial kitchens all around the world.

Top Mount Cabinets GN2/1 Upright Cabinets



MPT 601



MPT 1401*

REFRIGERATOR -2 / +4°C

£2,105

£3,165

LPT 601

LPT 1401*

DEEP FREEZE -18 / -22°C

£2,605

£4,045

options and accessories

extra std nylon coated shelves / slides	per set	£69	£69
stainless steel shelves / slides - GN2/1	per set	£143	£143
extra shelf / pan slides	per pair	£33	£33
600 x 400 bakery racking with 20 pairs of tray slides	per set	£1,010	£1,010
fish shelving - 8 x GN2/1 - 100mm deep - stainless steel pans & slides per section with slime trays	per cabinet	£1,156	£2,311
stainless steel back	per cabinet	£143	£143
left hand hung door	per cabinet	£0	n/a
adjustable legs	per cabinet	£0	£0
remote - excludes condensing unit but includes R404a expansion and solenoid valve (fitted)	per cabinet	£0	£0

Notes:

*1401 models due for re-release late 2016

Top Mount Cabinets



PT1401

Key Features:

Stainless Steel Interior & Exterior

Designed To Operate In 43°C Ambient

Built-In Air Rear Duct For Even Temperature Distribution

R290 Hydrocarbon Refrigerant

Zero ODP Injected Polyurethane Insulation - 90mm

-2 / +10°C Refrigerator Temperature Range

Electronic Controller With Easy Read LCD Screen

Hot Gas Defrost

Door Locks Fitted As Standard

Rifle Bore Coated Evaporators

Ergonomic Flush Door Handle

Gastronorm Shelving System - Anti Tilt Slides

Hi / Lo Audio Visual Temperature Alarms

Condensing Unit Safety System To Protect Compressor From Blocked Condensers

Self Closing Doors

Heavy Duty Brake & Swivel Castors

Waste Heat Recovery Condensate Vaporiser System



PT601

Options:

Extra Std Nylon Coated Shelves / Slides - GN2/1

Stainless Steel Shelves / Slides - GN2/1

Extra Shelf / Pan Slides

600 x 400 Bakery Racking - 20 Pairs Of Slides / Door

Fish Shelving - 8 x GN2/1 - 100mm Deep - Stainless Steel Pans & Slides per section with Slime Trays

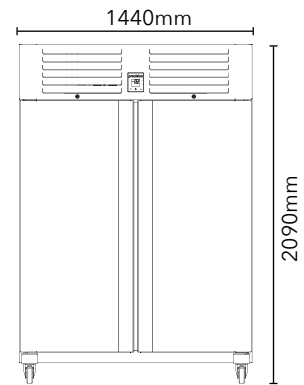
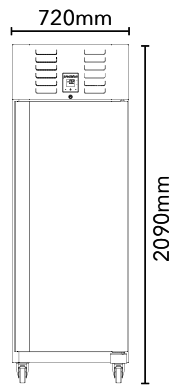
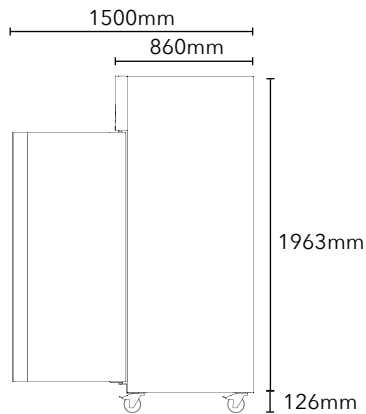
Stainless Steel Back

Left Hand Hung Door

Adjustable Legs

Remote - Excludes Condensing Unit But Includes R404A Expansion and Solenoid Valve (Fitted)

Model Specifications



Model	MPT601	LPT601	MPT1401	LPT1401
Type	Refrigerator	Freezer	Refrigerator	Freezer
Material	ST/ST Int/Ext	ST/ST Int/Ext	ST/ST Int/Ext	ST/ST Int/Ext
Shelf Size	GN2/1	GN2/1	GN2/1	GN2/1
Number of Shelves	4	4	8	8
Max Number of Shelves (100mm Spacing)	14	14	28	28
Temperature Range	-2 / +10°C	-18 / -22°C	-2 / +10°C	-18 / -22°C
Exterior WxDxH (mm)	720x860x2090	720x860x2090	1440x860x2090	1440x860x2090
Net Usable Volume (litres)	454	454	908	908
Weight (KG)	138	146	210	230
Refrigerant / GWP	R290 /3	R290 /3	R290 /3	R290 /3
Refrigeration Watts (+45°C Condensing)	373	449	964	728
Evaporating Temp	-10°C	-30°C	-10°C	-30°C
Heat Rejection Watts	560	674	1446	1092
Noise Output (dBa)	66	69	73	76
Power	230 / 50 / 1	230 / 50 / 1	230 / 50 / 1	230 / 50 / 1
Running Amps	1.7	3.5	4.6	5.5
Energy Consumption / 24hrs - kWh*	1.25	4.95	TBC	TBC
Energy Consumption / Year (AEC) - kWh*	456	1807	TBC	TBC
Energy Efficiency Class*	B	C	TBC	TBC

*Tested to EN16825 Climate Test Class 4 - M1 Classification Test for Refrigerators / L1 Classification Test for Freezers

We are constantly innovating and improving our products. Please always check our website for the most up-to-date version of this spec sheet

precision
refrigeration

Bottom Mount Cabinets



Precision's durable all stainless steel cabinets have been designed to provide commercial caterers with reliable, energy and cost efficient refrigerated storage solutions. Proudly made in the UK, these slimline cabinets are capable of meeting the highest demands of commercial kitchens all around the world - especially when space is at a premium.

Bottom Mount Cabinets

Slimline Cabinets



MPU 401

REFRIGERATOR -2 / +4°C

£2,075

LPU401

DEEP FREEZE -18 / -22°C

£2,570

options and accessories

extra std nylon coated shelves / slides	per set	£58
extra shelf / pan slides	per pair	£33
fish shelving - 7 x GN1/1 - 100mm deep		
- stainless steel pans & slides per section	per cabinet	£869
with slime trays		
stainless steel back	per cabinet	£143
left hand hung door	per cabinet	£0
adjustable legs	per cabinet	£0
remote - excludes condensing unit but includes R404A expansion and solenoid valve (fitted)	per cabinet	£0

Bottom Mount Cabinets



MPU 401



Non-Gastronorm Shelving System With Anti-Tilt Slides

Key Features:

Stainless Steel Interior & Exterior

Designed To Operate In 43°C Ambient

Built-In Air Rear Duct For Even Temperature Distribution

R290 Hydrocarbon Refrigerant

Zero ODP Injected Polyurethane Insulation - 60mm

-2 / +10°C Refrigerator Temperature Range

Electronic Controller With Easy Read LCD Screen

Hot Gas Defrost

Door Locks Fitted As Standard

Rifle Bore Coated Evaporators

Ergonomic Flush Door Handle

Non Gastronorm Shelving System - (GN1/1 Pans Can Fit On Shelves) - Anti Tilt Slides

Hi / Lo Audio Visual Temperature Alarms

Condensing Unit Safety System To Protect Compressor From Blocked Condensers

Self Closing Doors

Heavy Duty Brake & Swivel Castors

Wast Heat Recovery Condensate Vaporiser System

Options:

Extra Std Nylon Coated Shelves / Slides

Extra Shelf / Pan Slides

Fish Shelving - 7 x GN1/1 - 100mm Deep - Stainless Steel Pans & Slides per section with Slime Trays

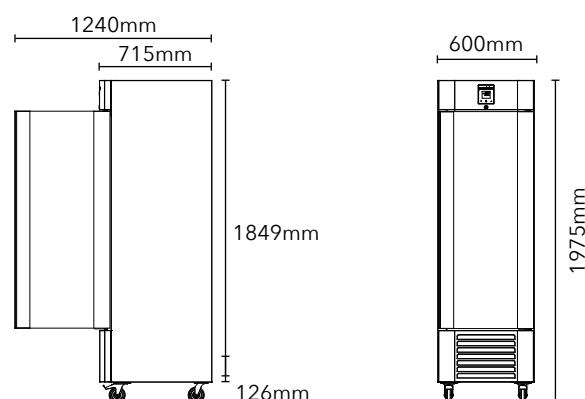
Stainless Steel Back

Left Hang Hung Door

Adjustable Legs

Remote - Excludes Condensing Unit But Includes R404A Expansion and Solenoid Valve (Fitted)

Model Specifications



Model	MPU401	LPU401
Type	Refrigerator	Freezer
Material	ST/ST Int/Ext	ST/ST Int/Ext
Shelf Size	418 x 530mm	418 x 530mm
Number of Shelves	3	3
Max Number of Shelves (100mm Spacing)	9	9
Temperature Range	-2 / +15°C	-18 / -22°C
Exterior WxDxH (mm)	600x715x1975	600x715x1975
Net Usable Volume (litres)	264	264
Weight (KG)	110	120
Refrigerant / GWP	R290 /3	R290 /3
Refrigeration Watts (+45°C Condensing)	373	449
Evaporating Temp	-10°C	-30°C
Heat Rejection Watts	287	513
Noise Output (dBa)	67	69
Power	230 / 50 / 1	230 / 50 / 1
Running Current (Amps/Watts)	1.8 / 287	3.6 / 513
Energy Consumption / 24hrs - kWh*	1.28	6.14
Energy Consumption / Year (AEC) - kWh*	467	2241
Energy Efficiency Class*	C	E

*Tested to EN16825 Climate Test Class 4 - M1 Classification Test for Refrigerators / L1 Classification Test for Freezers

We are constantly innovating and improving our products. Please always check our website for the most up-to-date version of this spec sheet



precision
refrigeration

Counters 670 and 520 Series



Precision's durable all stainless steel GN1/1 counters have been designed to provide commercial caterers with reliable, energy and cost efficient refrigerated storage solutions when space is at a premium. Proudly made in the UK, these counters are capable of meeting the highest demands of commercial kitchens all around the world.

When space is at a premium, and preparation workspace is required, a Precision refrigerated counter provides a practical, flexible and cost effective solution.

Gastronorm Counters

Slimline - GN2/3 - 223, 323 & 423

Standard - GN1/1 - 211, 311 & 411



MCU223 / MCU211



MCU 323 / MCU311



MCU423 / MCU411

REFRIGERATOR -2 / +4°C

£2,805

£3,265

£3,770

DEEP FREEZE -18 / -22°C

LCU223 / LCU211

£3,175

LCU323 / LCU311

£3,700

options and accessories

interior		2 door	3 door	4 door
shelf & slides	per set	£60	£60	£60
ST/ST shelf & slides	per set	£119	£119	£119
slides	per pair	£32	£32	£32
drawers		2 door	3 door	4 door
bank of 2 drawers - H - (200/200mm depth) - M only	per section	£485	£485	£485
bank of 3 drawers - T - (100/130/130mm depth) - M only	per section	£790	£790	£790
height options		2 door	3 door	4 door
biscuit top (height - 20mm)	per counter	£0	£0	£0
low profile castors (height - 17mm)	per counter	£0	£0	£0
levelling feet - plinth - (height -106mm)	per counter	£0	£0	£0
adjustable legs (height 860-910mm)	per counter	£0	£0	£0
900mm counter height	per counter	£184	£184	£184
worktops		2 door	3 door	4 door
raised pan holder (1/4°C)	per counter	£802	£946	£1,071
number of GN1/3 pans*		4	5	6
worksurface depth		295/445	295/445	295/445
countertop well (1/4°C)	per counter	£676	£813	£946
number of GN1/3 Pans*		4	7	9
worksurface depth		120/270	120/270	120/270
insulated well/pan lid	per counter	£429	£464	£543
splash back 55-100mm	per counter	£213	£240	£264
remote		2 door	3 door	4 door
remote - model number MCR or LCR excludes condensing unit but includes R404a expansion & solenoid valve	per counter	£0	£0	£0
condense pump - fitted	per counter	£240	£240	£240
vap tray & heater	per counter	£344	£344	£344
other		2 door	3 door	4 door
right hand condensing unit	per counter	£108	£108	£108
stainless steel back & unit housing	per counter	£184	£212	£240

Notes:

*GN pans are not included

Counters

670 - GN 1/1 Series Self Contained

Precision's durable all stainless steel GN1/1 counters have been designed to provide commercial caterers with reliable, energy and cost efficient refrigerated storage solutions when space is at a premium. Proudly made in the UK, these counters are capable of meeting the highest demands of commercial kitchens all around the world.

Key Features:

Stainless Steel Interior & Exterior

Front Breathing & Venting Refrigeration System
Designed To Operate In 43°C Ambient

GN 1/1 Shelving System

Anti-Drip Worktop

Built-In Air Duct For Even Temperature Distribution

R290 Hydrocarbon Refrigerant

Zero ODP Injected Polyurethane Insulation - 60mm

-2 / +10°C Refrigerator Temperature Range

Electronic Controller With Easy Read LCD Screen

Hot Gas Defrost

Door / Drawer Locks Fitted As Standard

Rifle Bore Coated Evaporators

Integrated Flush Door Handle

Gastronorm Shelving System - Anti Tilt Slides

Hi / Lo Audio Visual Temperature Alarms

Condensing Unit Safety System To Protect
Compressor From Blocked Condensers

Self Closing Doors

Heavy Duty Brake & Swivel Castors

Waste Heat Recovery Condensate Vaporiser System



MCU 223 UDD - 865



Front Breathing & Venting Refrigeration System - No side/rear/top/
bottom ventilation required - Perfect For Plinth Mount Applications

Options:

Bank of 2 Drawers - H - (200/200mm Depth)

Bank of 3 Drawers - T - (100/130/130mm Depth)

Remote Units - R (See Separate Spec Sheet)

Raised Pan Grid - PG / Countertop Pan Wells

Biscuit Worktop - Lowers Height By 20mm

Low Profile Castors - Lowers Height By 17mm

Levelling Feet (Plinth) - Lowers Height By 106mm

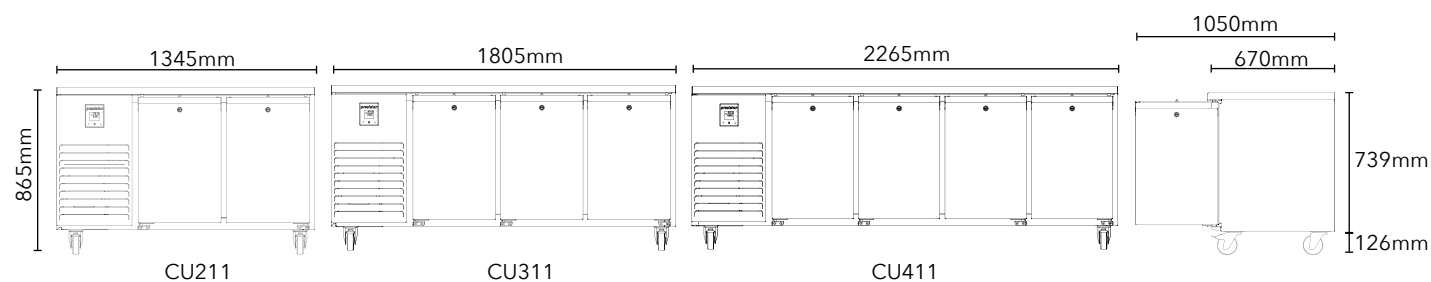
Adjustable Legs - Increases Height to 910mm Max

ST/ST Back / Splashback

Right Hand Condensing Unit

Extra Shelves / Slides

Model Specifications



Model	MCU211	LCU211	MCU311	LCU311	MCU411
Type	Refrigerator	Freezer	Refrigerator	Freezer	Refrigerator
Material	ST/ST Int/Ext	ST/ST Int/Ext	ST/ST Int/Ext	ST/ST Int/Ext	ST/ST Int/Ext
Shelf Size	GN1/1	GN1/1	GN1/1	GN1/1	GN1/1
Number of Shelves	4	4	6	6	8
Max Number of Shelves (100mm Spacing)	10	10	15	15	20
Temperature Range	-2 / +10°C	-18 / -22°C	-2 / +10°C	-18 / -22°C	-2 / +10°C
Exterior WxDxH (mm)	1345x670x865	1345x670x865	1805x670x865	1805x670x865	2265x670x865
Net Usable Volume (litres)	168	168	253	253	326.4
Weight (KG)	115	120	145	150	185
Refrigerant / GWP	R290 /3	R290 /3	R290 /3	R290 /3	R290 /3
Refrigeration Watts (+45°C Condensing)	373	449	373	449	373
Evaporating Temp	-10°C	-30°C	-10°C	-30°C	-10°C
Heat Rejection Watts	560	674	560	674	560
Noise Output (dBa)	62	63	62	63	62
Power	230 / 50 / 1	230 / 50 / 1	230 / 50 / 1	230 / 50 / 1	230 / 50 / 1
Running Amps	1.6	3.7	1.6	3.7	1.7
Energy Consumption / 24hrs - kWh*	1.25	8.49	2.85	9.43	4.34
Energy Consumption / Year (AEC) - kWh*	456	3099	1040	3442	1584
Energy Efficiency Class*	A	F	C	F	D

*Tested to EN16825 Climate Test Class 4 - M1 Classification Test for Refrigerators / L1 Classification Test for Freezers

We are constantly innovating and improving our products. Please always check our website for the most up-to-date version of this spec sheet

Counters

670 - GN 1/1 Series Remote

Precision's durable all stainless steel GN1/1 remote counters have been designed to provide commercial caterers with reliable, energy and cost efficient refrigerated storage solutions when space is at a premium.

Models using remote refrigeration systems reduce heat and noise in the kitchen and save space. A floor drain is required for the counter's condensate water, or we can supply an electric vaporiser tray if required.

Key Features:

Stainless Steel Interior & Exterior

Designed To Operate In 43°C Ambient

Convenient 150mm Wide Service Void

GN 1/1 Shelving System

Anti-Drip Worktop

Built-In Air Duct For Even Temperature Distribution

R404A Solenoid & Expansion Valves Fitted

Zero ODP Injected Polyurethane Insulation - 60mm

-2 / +10°C Refrigerator Temperature Range

Electronic Controller With Easy Read LCD Screen

Electric Defrost

Door / Drawer Locks Fitted As Standard

Rifle Bore Coated Evaporators

Integrated Flush Door Handle

Gastronorm Shelving System - Anti Tilt Slides

Hi / Lo Audio Visual Temperature Alarms

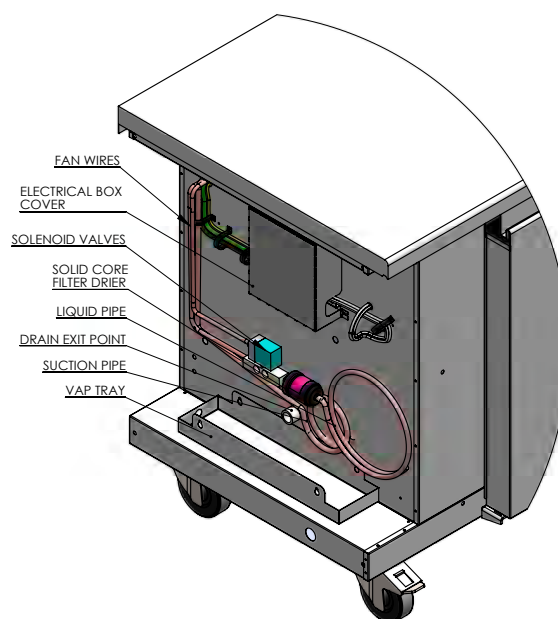
Self Closing Doors

Adjustable Legs

Drain Is Required For Condensate Water



MCR211-UDD-865



Service Void Connection Points

Options:

Bank of 2 Drawers - H - (200/200mm Depth)

Bank of 3 Drawers - T - (100/130/130mm Depth)

Self Contained Units - (See Separate Spec Sheet)

Raised Pan Grid - PG / Countertop Pan Wells

Biscuit Worktop - Lowers Height By 20mm

Low Profile Castors - Lowers Height By 17mm

Levelling Feet (Plinth) - Lowers Height By 106mm

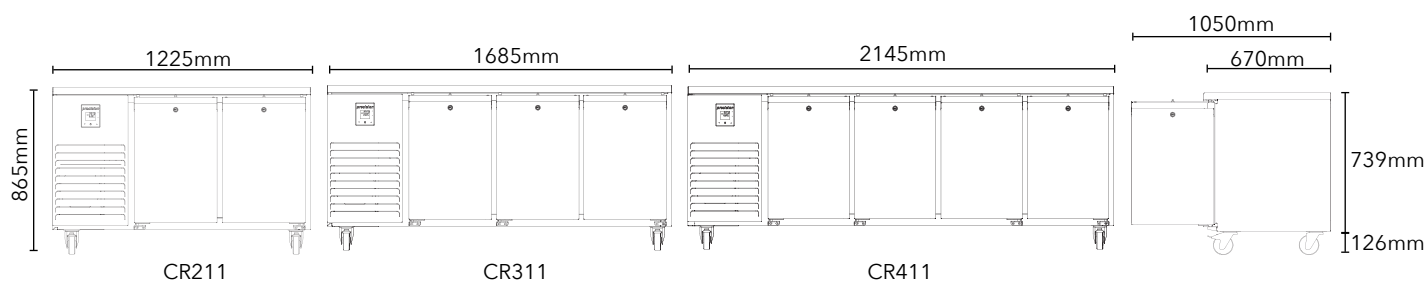
ST/ST Back / Splashback

Right Hand Condensing Unit / Services

Extra Shelves / Slides

Electric Condensate Vaporiser Tray

Model Specifications



Model	MCR211	LCR211	MCR311	LCR311	MCR411
Type	Refrigerator	Freezer	Refrigerator	Freezer	Refrigerator
Material	ST/ST Int/Ext	ST/ST Int/Ext	ST/ST Int/Ext	ST/ST Int/Ext	ST/ST Int/Ext
Shelf Size	GN1/1	GN1/1	GN1/1	GN1/1	GN1/1
Number of Shelves	4	4	6	6	8
Max Number of Shelves (100mm Spacing)	10	10	15	15	20
Temperature Range	-2 / +10°C	-18 / -22°C	-2 / +10°C	-18 / -22°C	-2 / +10°C
Exterior WxDxH (mm)	1225x670x865	1225x670x865	1685x670x865	1685x670x865	2145x670x865
Net Usable Volume (litres)	168	168	253	253	337
Weight (KG)	95	100	125	130	165
Refrigerant / GWP	R404A/3922	R404A/3922	R404A/3922	R404A/3922	R404A/3922
Refrigeration Watts (+45°C Condensing)	412	472	412	472	412
Evaporating Temp	-10°C	-30°C	-10°C	-30°C	-10°C
Heat Rejection Watts	N/A	N/A	N/A	N/A	N/A
Noise Output (dBa)	N/A	N/A	N/A	N/A	N/A
Power	230 / 50 / 1	230 / 50 / 1	230 / 50 / 1	230 / 50 / 1	230 / 50 / 1
Running Amps	1.9	4.2	1.9	4.2	1.9
Energy Consumption / 24hrs - kWh*	N/A	N/A	N/A	N/A	N/A
Energy Consumption / Year (AEC) - kWh*	N/A	N/A	N/A	N/A	N/A
Energy Efficiency Class*	N/A	N/A	N/A	N/A	N/A

*Tested to EN16825 Climate Test Class 4 - M1 Classification Test for Refrigerators / L1 Classification Test for Freezers

We are constantly innovating and improving our products. Please always check our website for the most up-to-date version of this spec sheet

Counters

520 - GN 2/3 Series Self Contained

Precision's durable all stainless steel slimline GN2/3 counters have been designed to provide commercial caterers with reliable, energy and cost efficient refrigerated storage solutions. Proudly made in the UK, these counters are capable of meeting the highest demands of commercial kitchens all around the world.

At just 520mm deep, these refrigerated counters provides a practical and flexible solution when space it at a premium.

Key Features:

Stainless Steel Interior & Exterior

Front Breathing & Venting Refrigeration System
Designed To Operate In 43°C Ambient

GN 2/3 Shelving System

Anti-Drip Worktop

Built-In Air Duct For Even Temperature Distribution

R290 Hydrocarbon Refrigerant

Zero ODP Injected Polyurethane Insulation - 60mm

-2 / +10°C Refrigerator Temperature Range

Electronic Controller With Easy Read LCD Screen

Hot Gas Defrost

Door / Drawer Locks Fitted As Standard

Rifle Bore Coated Evaporators

Integrated Flush Door Handle

Gastronorm Shelving System - Anti Tilt Slides

Hi / Lo Audio Visual Temperature Alarms

Condensing Unit Safety System To Protect
Compressor From Blocked Condensers

Self Closing Doors

Heavy Duty Brake & Swivel Castors

Waste Heat Recovery Condensate Vaporiser System



MCU 223 UDD – 865



Front Breathing & Venting Refrigeration System - No side/rear/top/
bottom ventilation required - Perfect For Plinth Mount Applications

Options:

Bank of 2 Drawers - H - (200/200mm Depth)

Bank of 3 Drawers - T - (100/130/130mm Depth)

Remote Units - R (See Separate Spec Sheet)

Raised Pan Grid - PG / Countertop Pan Wells

Biscuit Worktop - Lowers Height By 20mm

Low Profile Castors - Lowers Height By 17mm

Levelling Feet (Plinth) - Lowers Height By 106mm

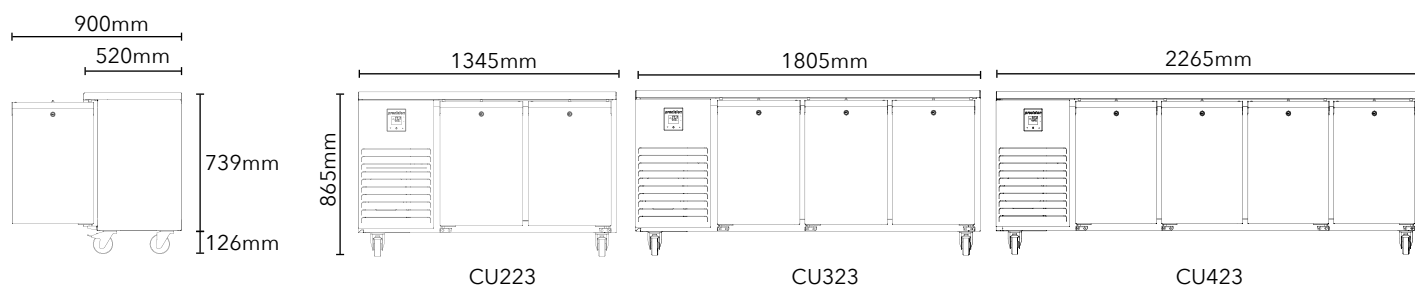
Adjustable Legs - Increases Height to 910mm Max

ST/ST Back / Splashback

Right Hand Condensing Unit

Extra Shelves / Slides

Model Specifications



Model	MCU223	LCU223	MCU323	LCU323	MCU423
Type	Refrigerator	Freezer	Refrigerator	Freezer	Refrigerator
Material	ST/ST Int/Ext	ST/ST Int/Ext	ST/ST Int/Ext	ST/ST Int/Ext	ST/ST Int/Ext
Shelf Size	GN2/3	GN2/3	GN2/3	GN2/3	GN2/3
Number of Shelves	4	4	6	6	8
Max Number of Shelves (100mm Spacing)	10	10	15	15	20
Temperature Range	-2 / +10°C	-18 / -22°C	-2 / +10°C	-18 / -22°C	-2 / +10°C
Exterior WxDxH (mm)	1345x520x865	1345x520x865	1805x520x865	1805x520x865	2265x520x865
Net Usable Volume (litres)	120	120	180	180	240
Weight (KG)	110	115	125	130	145
Refrigerant / GWP	R290 /3	R290 /3	R290 /3	R290 /3	R290 /3
Refrigeration Watts (+45°C Condensing)	373	449	373	449	373
Evaporating Temp	-10°C	-30°C	-10°C	-30°C	-10°C
Heat Rejection Watts	560	674	560	674	560
Noise Output (dBa)	62	63	62	63	62
Power	230 / 50 / 1	230 / 50 / 1	230 / 50 / 1	230 / 50 / 1	230 / 50 / 1
Running Amps	1.6	3.7	1.7	3.7	1.7
Energy Consumption / 24hrs - kWh*	1.73	6.79	2.63	8.79	4.47
Energy Consumption / Year (AEC) - kWh*	632	2479	960	3208	1632
Energy Efficiency Class*	B	E	C	F	D

*Tested to EN16825 Climate Test Class 4 - M1 Classification Test for Refrigerators / L1 Classification Test for Freezers

We are constantly innovating and improving our products. Please always check our website for the most up-to-date version of this spec sheet

Counters

520 - GN 2/3 Series Remote

Precision's durable all stainless steel slimline GN2/3 remote counters have been designed to provide commercial caterers with reliable, energy and cost efficient refrigerated storage solutions. At just 520mm deep, these refrigerated counters provides a practical and flexible solution when space it at a premium.

Models using remote refrigeration systems reduce heat and noise in the kitchen and save space. A floor drain is required for the counter's condensate water, or we can supply an electric vaporiser tray if required.

Key Features:

Stainless Steel Interior & Exterior

Designed To Operate In 43°C Ambient

Convenient 150mm Wide Service Void

GN 2/3 Shelving System

Anti-Drip Worktop

Built-In Air Duct For Even Temperature Distribution

R404A Solenoid & Expansion Valves Fitted

Zero ODP Injected Polyurethane Insulation - 60mm

-2 / +10°C Refrigerator Temperature Range

Electronic Controller With Easy Read LCD Screen

Electric Defrost

Door / Drawer Locks Fitted As Standard

Rifle Bore Coated Evaporators

Integrated Flush Door Handle

Gastronorm Shelving System - Anti Tilt Slides

Hi / Lo Audio Visual Temperature Alarms

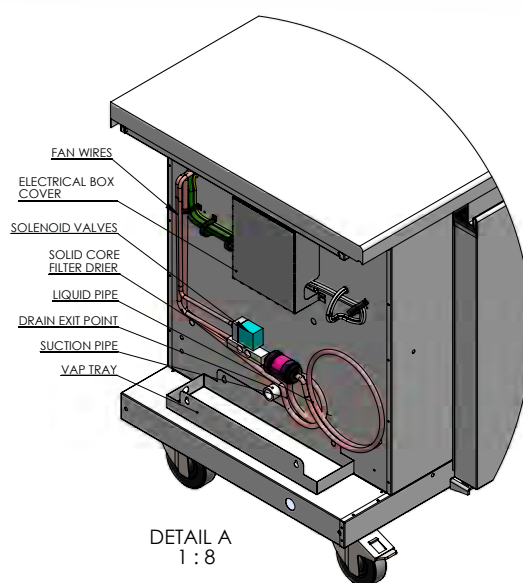
Self Closing Doors

Adjustable Legs

Drain Is Required For Condensate Water



MCR223-UDD-865



DETAIL A
1 : 8

Service Void Connection Points

Options:

Bank of 2 Drawers - H - (200/200mm Depth)

Bank of 3 Drawers - T - (100/130/130mm Depth)

Self Contained Units - (See Separate Spec Sheet)

Raised Pan Grid - PG / Countertop Pan Wells

Biscuit Worktop - Lowers Height By 20mm

Low Profile Castors - Lowers Height By 17mm

Levelling Feet (Plinth) - Lowers Height By 106mm

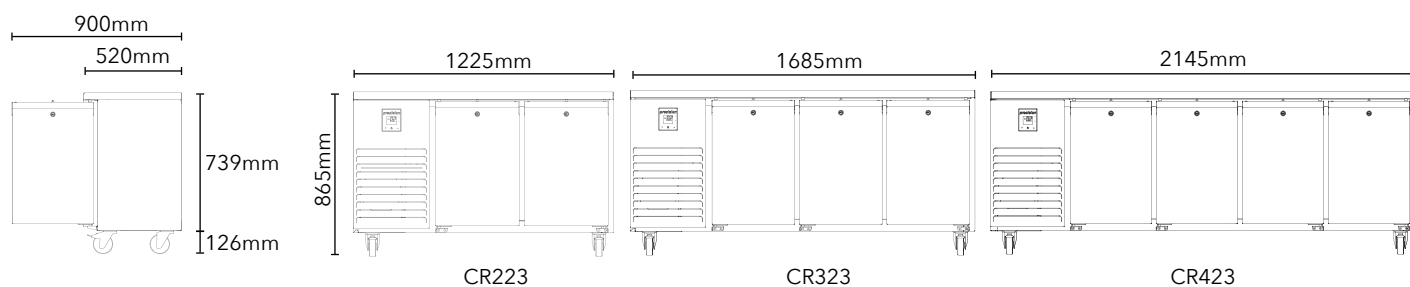
ST/ST Back / Splashback

Right Hand Condensing Unit / Services

Extra Shelves / Slides

Electric Condensate Vaporiser Tray

Model Specifications



Model	MCR223	LCR223	MCR323	LCR323	MCR423
Type	Refrigerator	Freezer	Refrigerator	Freezer	Refrigerator
Material	ST/ST Int/Ext	ST/ST Int/Ext	ST/ST Int/Ext	ST/ST Int/Ext	ST/ST Int/Ext
Shelf Size	GN2/3	GN2/3	GN2/3	GN2/3	GN2/3
Number of Shelves	4	4	6	6	8
Max Number of Shelves (100mm Spacing)	10	10	15	15	20
Temperature Range	-2 / +10°C	-18 / -22°C	-2 / +10°C	-18 / -22°C	-2 / +10°C
Exterior WxDxH (mm)	1225x520x865	1225x520x865	1685x520x865	1685x520x865	2145x520x865
Net Usable Volume (litres)	120	120	180	180	241
Weight (KG)	90	90	105	105	125
Refrigerant / GWP	R404A/3922	R404A/3922	R404A/3922	R404A/3922	R404A/3922
Refrigeration Watts (+45°C Condensing)	412	472	412	472	412
Evaporating Temp	-10°C	-30°C	-10°C	-30°C	-10°C
Heat Rejection Watts	N/A	N/A	N/A	N/A	N/A
Noise Output (dBa)	N/A	N/A	N/A	N/A	N/A
Power	230 / 50 / 1	230 / 50 / 1	230 / 50 / 1	230 / 50 / 1	230 / 50 / 1
Running Amps	1.9	4.2	1.9	4.2	1.9
Energy Consumption / 24hrs - kWh*	N/A	N/A	N/A	N/A	N/A
Energy Consumption / Year (AEC) - kWh*	N/A	N/A	N/A	N/A	N/A
Energy Efficiency Class*	N/A	N/A	N/A	N/A	N/A

*Tested to EN16825 Climate Test Class 4 - M1 Classification Test for Refrigerators / L1 Classification Test for Freezers

We are constantly innovating and improving our products. Please always check our website for the most up-to-date version of this spec sheet



precision
refrigeration

Under Counters



Proudly made in the UK, Precision's durable all stainless steel under counters have been designed to provide medium duty under counter storage solutions for commercial kitchens all a round the world.

These under counters are available in both refrigerated and deep freeze versions and are perfect for space optimisation, in even the smallest of kitchens.

Under Counters

32°C Ambient



HPU150

HPU152

HPU153

REFRIGERATOR 1 / 4°C

£1,270

£1,860

£2,110

LPU150

DEEP FREEZE -18 / -22°C

£1,270

options and accessories

shelf & clips	per set	£50	n/a	n/a
clips	per set	£31	n/a	n/a
stacking kit	per set	£117	n/a	n/a
castors	per set	£86	£86	£86
left hand hung door	per cabinet	£0	n/a	n/a

Notes:

This unit requires rear and top ventilation

Under Counters



HPU150



HPU152



HPU153

Key Features:

Stainless Steel Interior & Exterior

Front Breathing & Rear Venting Refrigeration System

32°C Ambient Rated Product

R134a Refrigerant

Zero ODP Injected Polyurethane Insulation

1 / 4°C Refrigerator Temperature Range

Electronic Controller With Easy Read LCD Screen

Off Cycle Defrost - Refrigerator

Manual Defrost - Freezer

Door / Drawer Locks Fitted As Standard

Integrated Flush Door Handle

Adjustable Pilaster Shelving System - Refrigerator

Fixed Plate Shelves - Freezer

Hi / Lo Audio Visual Temperature Alarms

Adjustable Levelling Feet At Front

Rollers At Rear For Easy Positioning

Waste Heat Recovery Condensate Vaporiser System

Requires Small Ventilation Gap Above Unit

Options:

Bank of 2 Drawers - (200/200mm) - HPU152

Bank of 3 Drawers - (150/150/150mm) - HPU153

Extra Shelves / Slides

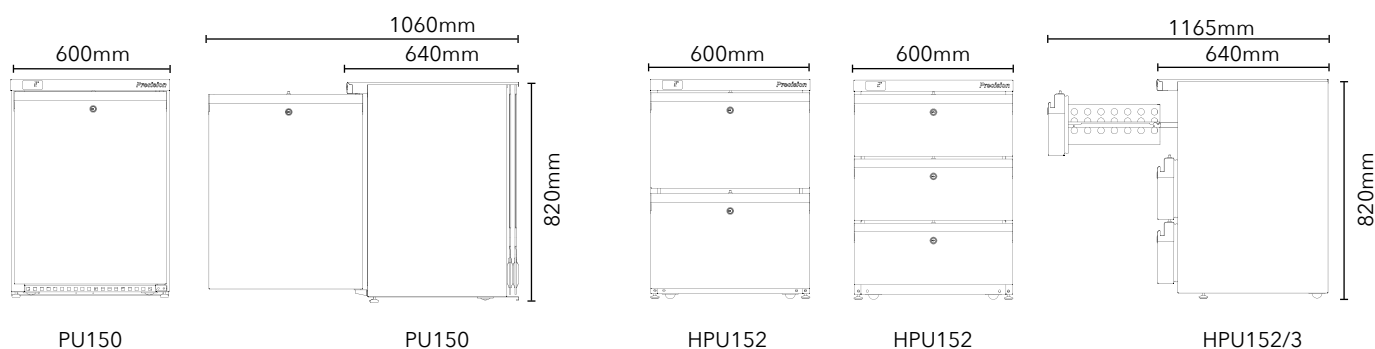
Extra Shelf Clips

Castors

Stacking Kit

Left Hand Hung Door

Model Specifications



Model	HPU150	HPU152	HPU153	LPU150
Type	Refrigerator	Refrigerator	Refrigerator	Freezer
Material	ST/ST Int/Ext	ST/ST Int/Ext	ST/ST Int/Ext	ST/ST Int/Ext
Shelf Size	482 x 370	482 x 358	482 x 358	490 x 430
Number of Shelves	2	N/A	N/A	2
Max Number of Shelves	2	N/A	N/A	2
Temperature Range	1 / 4°C	1 / 4°C	1 / 4°C	-18 / -22°C
Exterior WxDxH (mm)	600x640x820	600x640x820	600x640x820	600x640x820
Net Usable Volume (litres)	69	77	74	77.8
Weight (KG)	60	70	75	60
Refrigerant / GWP	R134a / 1430	R134a / 1430	R134a / 1430	R134a / 1430
Refrigeration Watts (+45°C Condensing)	169	307	307	110
Evaporating Temp	-10°C	-10°C	-10°C	-30°C
Heat Rejection Watts	253	460	460	165
Noise Output (dBa)	52	52	52	53
Power	230 / 50 / 1	230 / 50 / 1	230 / 50 / 1	230 / 50 / 1
Running Amps	1	1	1	0.8
Energy Consumption / 24hrs - kWh*	1	3.19	4.33	1.3
Energy Consumption / Year (AEC) - kWh*	365	1164	1580	475
Energy Efficiency Class*	A	D	E	A

*Tested to EN16825 Climate Test Class 4 - M1 Classification Test for Refrigerators / L1 Classification Test for Freezers

We are constantly innovating and improving our products. Please always check our website for the most up-to-date version of this spec sheet



precision
refrigeration

Space Savers



Proudly made in the UK, Precision's versatile all stainless steel space savers are perfect for space optimisation in commercial kitchens all around the world. This range of space saver counters and under counters offer high performance storage solutions in even the smallest of kitchens.

For example, our HSS 300 offers the same internal storage capacity as a traditional two door GN1/1 counter but with a 28% smaller footprint.

Space Saving Solutions

43°C Ambient



	HSS 150	HSS 300	HUC 150
REFRIGERATOR 1 / 4°C	£1,615	£2,335	£1,615
	LSS 150	LSS 300	LUC 150
DEEP FREEZE -18 / -22°C	£1,935	£2,845	£1,935

options and accessories

		1 door	2 door	1 door
shelf & slides GN1/1	per set	£60	£60	£60
ST/ST shelf & slides	per set	£119	£119	£119
slides	per set	£32	£32	£32
bank of 2 drawers (150/150mm depth)	per section	£485	£485	£485
bank of 2 wide drawers (150/150mm depth)	per cabinet	n/a	£885	n/a
castors (+72mm height)	per cabinet	£86	£86	£86
countertop pan well (1/4°C)	per cabinet	n/a	£657	n/a
number of GN1/3 pans*			4	
worksurface depth			340	
insulated well/pan lid	per cabinet	n/a	£417	n/a
stainless steel back	per cabinet	£184	£184	£184
left hand hung door	per cabinet	£0	n/a	£0

Notes:

*GN pans are not included

Space Savers



SS300



SS150



SS150

Key Features:

Stainless Steel Interior & Exterior

Designed To Operate In 43°C Ambient

Front Breathing & Venting Refrigeration System

GN 1/1 Shelving System

R290 Hydrocarbon Refrigerant

Zero ODP Injected Polyurethane Insulation - 60mm

1 / 4°C Refrigerator Temperature Range

Electronic Controller With Easy Read LCD Screen

Hot Gas Defrost

Door / Drawer Locks Fitted As Standard

Rifle Bore Coated Evaporators

Integrated Flush Door Handle

Gastronorm Shelving System - Anti Tilt Slides

Hi / Lo Audio Visual Temperature Alarms

Condensing Unit Safety System To Protect Compressor From Blocked Condensers

Self Closing Doors

Adjustable Levelling Feet At Front

Rollers At Rear For Easy Positioning

Waste Heat Recovery Condensate Vaporiser System

Options:

Bank of 2 Drawers (150mm Depth)

Bank of 2 Wide Drawers (150mm Depth) - SS300

Countertop Pan Well - HSS300 - 4 x GN1/3 (150mm)

Insulated Hinged Lid For Countertop Pan Well

Castors - Increases Height by 72mm

Adjustable Legs - Increases Height by 125mm

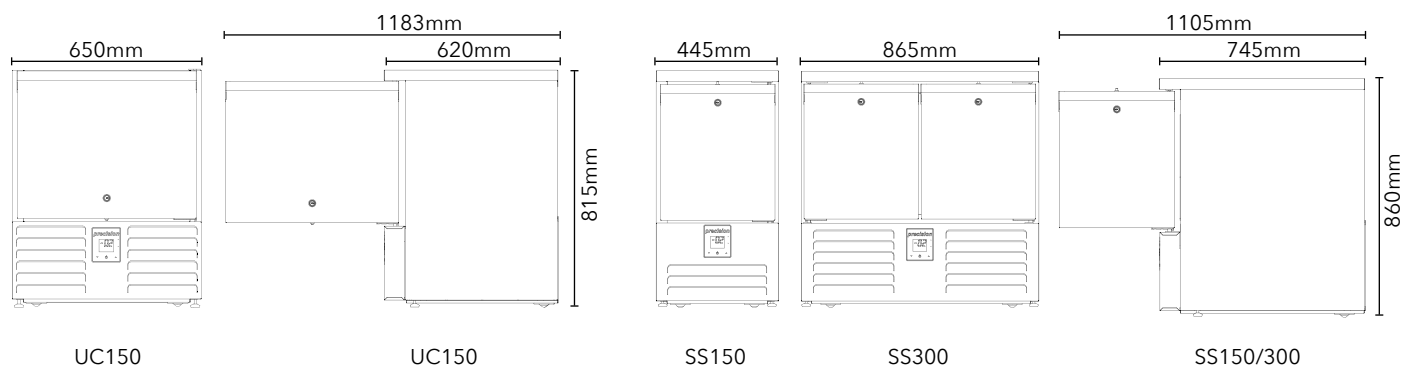
Stainless Steel Back

Extra Std Nylon Coated Shelves / Slides - GN1/1

Stainless Steel Shelves / Slides - GN1/1

Left Hang Hung Door (UC150 & SS150)

Model Specifications



Model	HUC150	LUC150	HSS150	LSS150	HSS300	LSS300
Type	Refrigerator	Freezer	Refrigerator	Freezer	Refrigerator	Freezer
Material	ST/ST Int/Ext	ST/ST Int/Ext	ST/ST Int/Ext	ST/ST Int/Ext	ST/ST Int/Ext	ST/ST Int/Ext
Shelf Size	GN1/1	GN1/1	GN1/1	GN1/1	GN1/1	GN1/1
Number of Shelves	2	2	2	2	4	4
Max Number of Shelves (100mm Spacing)	4	4	4	4	8	8
Temperature Range	1 / 4°C	-18 / -22°C	1 / 4°C	-18 / -22°C	1 / 4°C	-18 / -22°C
Exterior WxDxH (mm)	650x620x815	650x620x815	445x745x860	445x745x860	865x745x860	865x745x860
Net Usable Volume (litres)	48	48	46	46	98	98
Weight (KG)	65	70	65	70	80	85
Refrigerant / GWP	R290 /3	R290 /3	R290 /3	R290 /3	R290 /3	R290 /3
Refrigeration Watts (+45°C Condensing)	405	449	405	208	375	449
Evaporating Temp	-10°C	-30°C	-10°C	-30°C	-10°C	-30°C
Heat Rejection Watts	608	674	608	312	559	674
Noise Output (dBa)	60	59	58	58	67	68
Power	230 / 50 / 1	230 / 50 / 1	230 / 50 / 1	230 / 50 / 1	230 / 50 / 1	230 / 50 / 1
Running Amps	1.5	3.4	1.5	1.8	1.6	3.6
Energy Consumption / 24hrs - kWh*	1.06	7.64	0.77	4.41	1.3	7.45
Energy Consumption / Year (AEC) - kWh*	387	2788	280	1610	475	2720
Energy Efficiency Class*	A	G	A	D	A	F

*Tested to EN16825 Climate Test Class 4 - M1 Classification Test for Refrigerators / L1 Classification Test for Freezers

We are constantly innovating and improving our products. Please always check our website for the most up-to-date version of this spec sheet



precision
refrigeration

Under Broiler Counters



Precision Under Broiler Counters are designed to provide refrigerated storage, in an easy pull-out drawer format, under the chargrill or griddle within the cooking line. This reduces non productive time and congestion within the kitchen giving staff refrigerated storage exactly where it's needed.

Proudly made in the UK, these robust counters are capable of meeting the highest demands of commercial kitchens all around the world.

Under Broiler Counters



HUBC 411 HUBC 412 HUBC 422

REFRIGERATOR 1 / 4°C

£3,965

£4,365

£4,750

options and accessories

single deep drawer in place of 2 drawers	per counter	£0	£0	£0
drawer locks	each	£32	£32	£32
st/st back	per counter	£184	£212	£240

Notes:

Plinth mount requires ventilation to rear

Designed to carry 150kg (evenly spread)

Under Broiler Counters



HUBC411

Centrally positioned evaporator place between drawer sets for even internal temperature distribution

Key Features:

Stainless Steel Interior & Exterior

Front Breathing & Rear Venting Refrigeration System
Designed To Operate In 43°C Ambient

GN 1/1 and/or GN 2/1 Drawer System

Centrally Positioned Evaporator Between Drawers

R134a Refrigerant

Zero ODP Injected Polyurethane Insulation - 60mm

1 / 4°C Refrigerator Temperature Range

Electronic Controller With Easy Read LCD Screen

Off Cycle Defrost

Heat Resistant Worktop Designed To Carry Up To
150kg (Evenly Spread)

Rifle Bore Coated Evaporators

Integrated Flush Door Handle

Gastronorm Sized Drawers

Hi / Lo Audio Visual Temperature Alarms

Condensing Unit Safety System To Protect
Compressor From Blocked Condensers

Heavy Duty Brake & Swivel Castors

Waste Heat Recovery Condensate Vaporiser System

Options:

Single Deep Drawer In Place Of Bank Of 2 Drawers

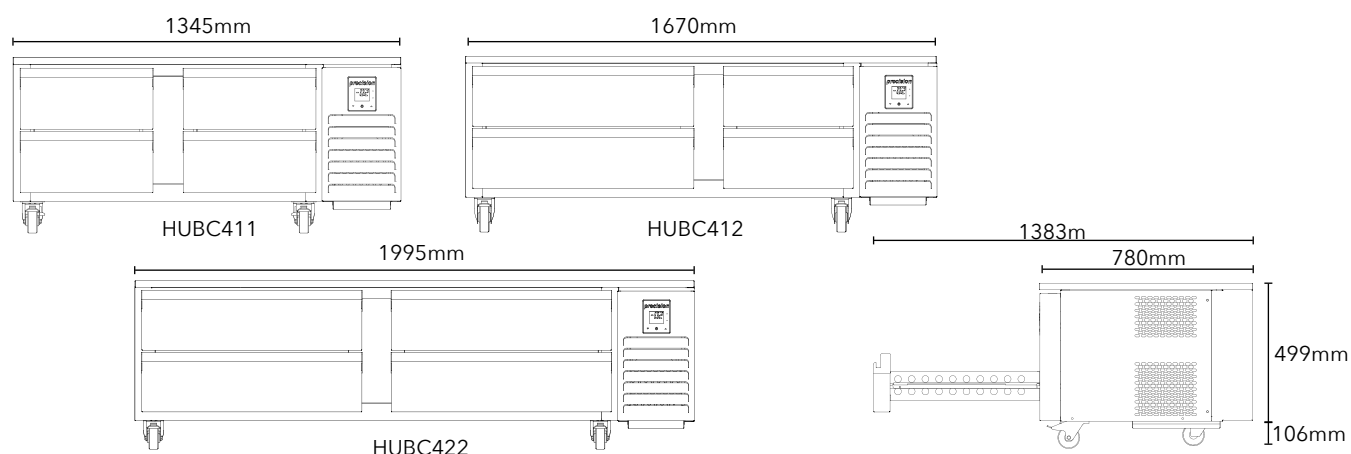
Drawer Locks

ST/ST Back

Notes:

Ventilation At Rear Required When Plinth Mounted

Model Specifications



Model	HUBC411	HUBC412	HUBC422
Type	Refrigerator	Refrigerator	Refrigerator
Material	ST/ST Int/Ext	ST/ST Int/Ext	ST/ST Int/Ext
Drawer Size	4 x GN1/1	2 x GN1/1 + 2 x GN2/1	4 x GN2/1
Maximum Pan Depth	100mm	100mm	100mm
Max Number of Shelves	N/A	N/A	N/A
Temperature Range	1 / 4°C	1 / 4°C	1 / 4°C
Exterior WxDxH (mm)	1345x780x605	1670x780x605	1995x780x605
Net Usable Volume (litres)	74	109	144
Weight (KG)	110	140	170
Refrigerant / GWP	R134a / 1430	R134a / 1430	R134a / 1430
Refrigeration Watts (+45°C Condensing)	412	412	412
Evaporating Temp	-10°C	-10°C	-10°C
Heat Rejection Watts	618	618	618
Noise Output (dBa)	62	62	62
Power	230 / 50 / 1	230 / 50 / 1	230 / 50 / 1
Running Amps	1.9	1.9	1.9
Energy Consumption / 24hrs - kWh*	2.29	3.48	4.35
Energy Consumption / Year (AEC) - kWh*	836	1270	1588
Energy Efficiency Class*	C	D	D

*Tested to EN16825 Climate Test Class 4 - M1 Classification Test for Refrigerators / L1 Classification Test for Freezers

We are constantly innovating and improving our products. Please always check our website for the most up-to-date version of this spec sheet



precision
refrigeration

Variable Temperature Drawer



Precision variable temperature drawers are designed to provide flexible refrigerated or freezer storage at the flick of a switch. The single GN2/1 drawer format is perfect when space is at a premium and provides bulk storage in the heart of the kitchen...exactly where it's needed.

Proudly made in the UK, these robust refrigerated drawers are capable of meeting the highest demands of commercial kitchens all around the world.

Variable Temperature Drawers



VUBC 121

VARIABLE -22 / +4°C

£2,705

options and accessories

castors (+72mm height)	per cabinet	£86
worktops (increase depth to 700mm)	per cabinet	£189
stacking kit	per cabinet	£0

Variable Temperature Drawer



VUBC 121

Key Features:

Stainless Steel Interior & Exterior

-22 / +4°C Variable Temperature Range

Can Be Operated As Refrigerator Or Freezer

Heavy-Duty GN 2/1 Drawer - 150mm Deep

Designed To Operate In 43°C Ambient

R290 Refrigerant

Drawer Base Insert (Removable) To Ensure Optimum Air Circulation

Zero ODP Injected Polyurethane Insulation

Electronic Controller With Easy Read LCD Screen

Hot Gas Defrost

Rifle Bore Coated Evaporators

Front Breathing, Rear & Side Venting Refrigeration System

Integrated Flush Door Handle

Hi / Lo Audio Visual Temperature Alarms

Condensing Unit Safety System To Protect Compressor From Blocked Condensers

Waste Heat Recovery Condensate Vaporiser System



VUBC121 can be stacked and with optional worktop and castors

Options:

Castors - Increases Height By 72mm

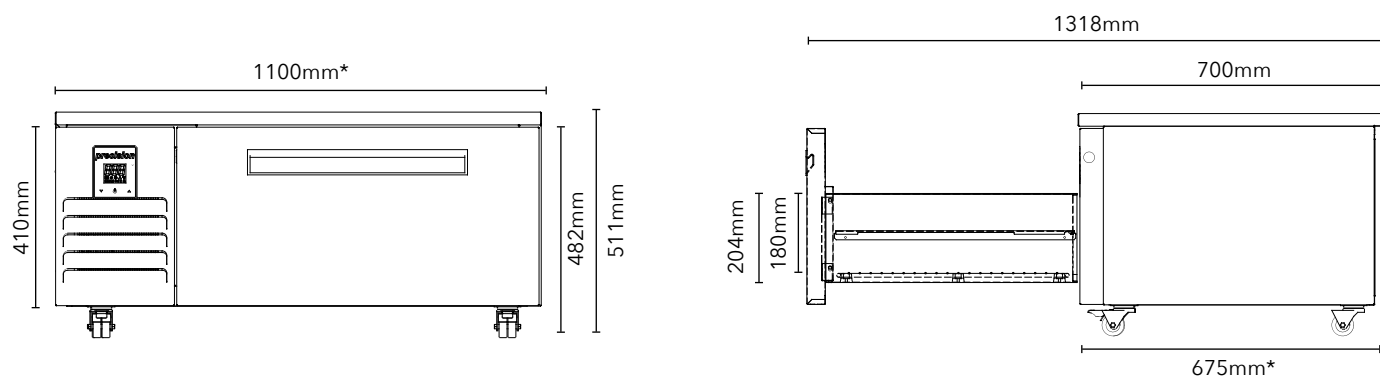
Heat Resistant Worktop - Increases Height By 29mm & Depth To 700mm

Stacking Kit

Total Height Of Two Stacked Units = 820mm (Excluding Optional Castors And/Or Worktop)

Total Height Of Two Stacked Units = 921mm (Including Optional Castors And/Or Worktop)

Model Specifications



Model	VUBC121	
Type	Multi-Use	If Tested as Refrigerator
Material	ST/ST Int/Ext	
Drawer Size	GN2/1	
Maximum Pan Depth	180mm	
Max Number of Shelves	N/A	
Temperature Range	-22 / 4°C	-2 / 4°C
Exterior WxDxH (mm)	1100* x 675* x 410	
Net Usable Volume (litres)	62	
Weight (KG)	70	
Refrigerant / GWP	R290 / 3	
Refrigeration Watts (+45°C Condensing)	208	491
Evaporating Temp	-30°C	-10°C
Heat Rejection Watts	312	736
Noise Output (dBa)	75	75
Power	230 / 50 / 1	
Running Amps	1.7	
Energy Consumption / 24hrs - kWh**	2.4	1
Energy Consumption / Year (AEC) - kWh**	875	364
Energy Efficiency Class**	B	A

* 25mm Ventilation Gap Required On Left & Rear Of Unit For Built-in Applications

** Variable Temperature Units are Tested to EN16825 Climate Test Class 4 - L1 Classification Test for Freezers

Supplementary data provided if tested to EN16825 Climate Test Class 4 - M1 Classification Test for Refrigerators for info only

We are constantly innovating and improving our products. Please always check our website for the most up-to-date version of this spec sheet



precision
refrigeration

Prep Counters



Proudly made in the UK, Precision's Prep Counters provide the best in refrigerated preparation counters for commercial kitchens all around the world.

Whether it be for salads, pizzas, sandwiches, tapas, desserts and much more, these prep counters are perfect for those who need to maintain their ingredients at safe temperatures all day long.

Prep Counters



PPC 307

PPC 410

REFRIGERATOR 1 / 4°C

£5,585

£5,930

options and accessories

3 door

4 door

door/drawer locks	each	£32	£32
bank of 2 drawers - H - (200/200mm depth)	per section	£485	£485
bank of 3 drawers - T - (100/130/130mm depth)	per section	£790	£790
GN1/3 pan set	per set	£373	£534
st/st back	per cabinet	£367	£450

Notes:

PPC's require rear and top ventilation

Prep Counters



PPC410
with optional drawers



GN Pan Layout

Key Features:

Stainless Steel Interior & Exterior

Rear Mounted 32°C Ambient Rated Refrigeration System Requires Rear & Top Ventilation

Full Width Rear Mounted Evaporator

Gentle Air Flow Over Top Of Pans

Anti-Drip Worktop

R134a Refrigerant

Zero ODP Injected Polyurethane Insulation - 60mm

1 / 4°C Refrigerator Temperature Range

Electronic Controller With Easy Read LCD Screen

Hot Gas Defrost

Retractable Night Blind When Pans Not In Service

Rifle Bore Coated Evaporators

Integrated Flush Door Handle

Gastronorm GN1/3 Sized Pan Grid

Hi / Lo Audio Visual Temperature Alarms

Condensing Unit Safety System To Protect Compressor From Blocked Condensers

Heavy Duty Brake & Swivel Castors

Waste Heat Recovery Condensate Vaporiser System

Options:

Door/Drawer Locks

Bank of 2 Drawers* - H - (200/200mm Depth)

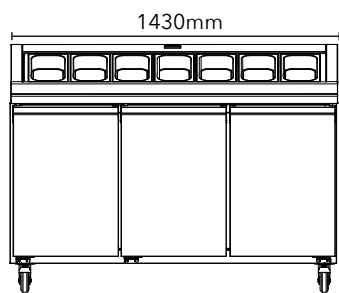
Bank of 3 Drawers* - T - (100/130/130mm Depth)

Remote Units (Contact Factory)

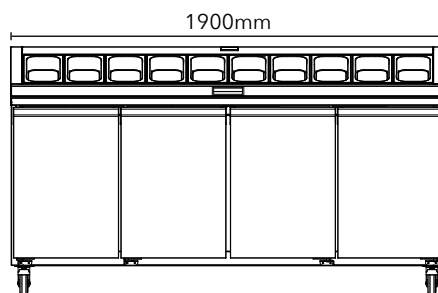
ST/ST Back

GN Pan Sets

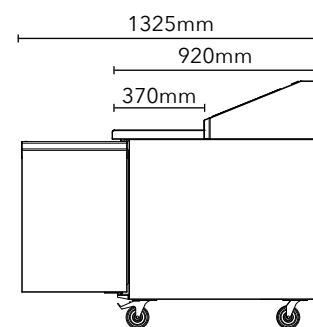
Model Specifications



PPC307



PPC410



Model	PPC307	PPC410
Type	Refrigerator	Refrigerator
Material	ST/ST Int/Ext	ST/ST Int/Ext
Shelf Size	GN1/1	GN1/1
Number of GN1/3 Pans Accepted (150mm Deep)	7	10
Number of Shelves	2	2
Temperature Range	1 / 4°C	1 / 4°C
Exterior WxDxH (mm)	1430x920x1085	1900x920x1085
Weight (KG)	150	240
Refrigerant / GWP	R134a / 1430	R134a / 1430
Refrigeration Watts (+45°C Condensing)	796	796
Evaporating Temp	-10°C	-10°C
Heat Rejection Watts	1194	1194
Noise Output (dBa)	68	69
Power	230 / 50 / 1	230 / 50 / 1
Running Amps	3.9	4
Energy Consumption / 24hrs - kWh*	N/A	N/A
Energy Consumption / Year (AEC) - kWh*	N/A	N/A
Energy Efficiency Class*	N/A	N/A

*Tested to EN16825 Climate Test Class 4 - M1 Classification Test for Refrigerators / L1 Classification Test for Freezers

We are constantly innovating and improving our products. Please always check our website for the most up-to-date version of this spec sheet



precision
refrigeration

Space Saving Prep Counter



Proudly made in the UK, Precision's Space Saver Prep Counter is perfect for smaller operations or where space is at a premium. This compact all stainless steel prep counter offers high performance cold prep and storage solutions in even the smallest of kitchens.

An insulated hinged lid is supplied as standard to reduce energy consumption and maintain safe food temperatures for longer periods.

Space Saving Prep Counter



HSS 340 PREP

REFRIGERATOR 1 / 4°C

£3,295

options and accessories

shelf & slides	per set	£58
bank of 2 drawers (150/150mm depth)	per section	£485
castors (+72mm height)	per cabinet	£86
stainless steel back	per cabinet	£184
GN1/3 pan set	per set	£319

Space Saving Prep Counter



Key Features:

Stainless Steel Interior & Exterior

Front Breathing & Venting 32°C Ambient Rated Refrigeration System

Pan Well Holds 6 X GN1/3 - 180mm Deep Pans

Insulated Lid

R134a Refrigerant

Zero ODP Injected Polyurethane Insulation - 60mm

1 / 4°C Refrigerator Temperature Range

Electronic Controller With Easy Read LCD Screen

Hot Gas Defrost

Door / Drawer Locks Fitted As Standard

Rifle Bore Coated Evaporators

Integrated Flush Door Handle

Stainless Steel Perforated Shelves - Anti Tilt Slides

Hi / Lo Audio Visual Temperature Alarms

Condensing Unit Safety System To Protect Compressor From Blocked Condensers

Self Closing Doors

Adjustable Levelling Feet At Front

Rollers At Rear For Easy Positioning

Waste Heat Recovery Condensate Vaporiser System

Options:

Bank of 2 Drawers (150/150mm Depth)

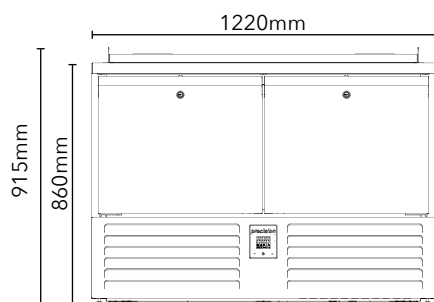
Castors - Increases Height by 72mm

Stainless Steel Back

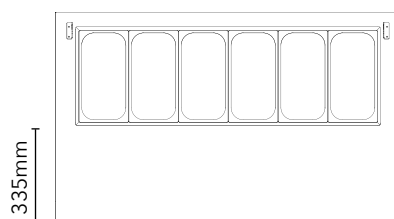
Extra Std Stainless Steel Perforated Shelves / Slides

GN 1/3 Pan Set

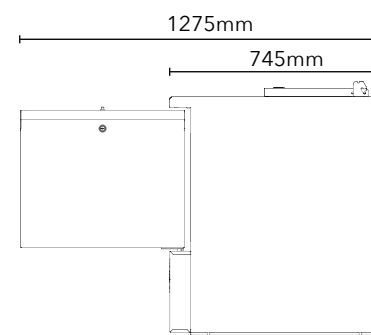
Model Specifications



340 PREP



GN1/3 Pan Layout



Model	HSS340 PREP
Type	Refrigerator
Material	ST/ST Int/Ext
Shelf Size	507 x 482
Number of GN1/3 Pans Accepted (150mm Deep)	6
Number of Shelves	4
Max Number of Shelves (100mm Spacing)	8
Temperature Range	1 / 4°C
Exterior WxDxH (mm)	1220x745x915
Weight (KG)	100
Refrigerant / GWP	R134a /1430
Refrigeration Watts (+45°C Condensing)	452
Evaporating Temp	-10°C
Heat Rejection Watts	678
Noise Output (dBa)	62
Power	230 / 50 / 1
Running Amps	1.9
Energy Consumption / 24hrs - kWh*	N/A
Energy Consumption / Year (AEC) - kWh*	N/A
Energy Efficiency Class*	N/A

*Tested to EN16825 Climate Test Class 4 - M1 Classification Test for Refrigerators / L1 Classification Test for Freezers

We are constantly innovating and improving our products. Please always check our website for the most up-to-date version of this spec sheet



precision
refrigeration

Wall Cabinets



Precision's durable all stainless steel GN1/1 wall cabinets have been designed to provide commercial caterers with reliable, energy and cost efficient refrigerated storage solutions when space is at a premium.

Proudly made in the UK, these wall cabinets provide practical and accessible refrigerated storage right where it's needed.

Heavy duty wall mounting kit is provided, however, the wall and fixings must be capable of carrying the fully loaded cabinet.

Wall Cabinets
Gastronorm GN1/1



	HWU 111	HWU 211	HWU 311
REFRIGERATOR 1 / 4°C	£2,705	£2,805	£3,265

options and accessories

door locks	each	£54	£54	£54
shelf & slides GN1/1	per set	£60	£60	£60
glass door & light	per cabinet	£338	£676	£1,015
right hand hung door	per cabinet	£0	n/a	n/a
floor mount model (+25mm)	per cabinet	£155	£155	£155
wall mounting brackets	per cabinet	incl.	incl.	incl.

Wall Cabinets



HWU211 (Glass Doors)



HWU211



Key Features:

Stainless Steel Interior & Exterior

Front Breathing & Venting Refrigeration System

Designed To Operate In 43°C Ambient

Centrally Positioned Evaporator Between Doors

R134a Refrigerant

Zero ODP Injected Polyurethane Insulation - 60mm

1 / 4°C Refrigerator Temperature Range

Electronic Controller With Easy Read LCD Screen

Automatic Off Cycle Defrost

Rifle Bore Coated Evaporators

Condensing Unit Safety System To Protect Compressor From Blocked Condensers

Integrated Flush Door Handle

Gastronorm GN1/1 Shelving System - Anti Tilt Slides

Hi / Lo Audio Visual Temperature Alarms

Wall Mounting Kit Provided

Self Closing Doors

Waste Heat Recovery Condensate Vaporiser System

Options:

Glass Doors & Interior Light

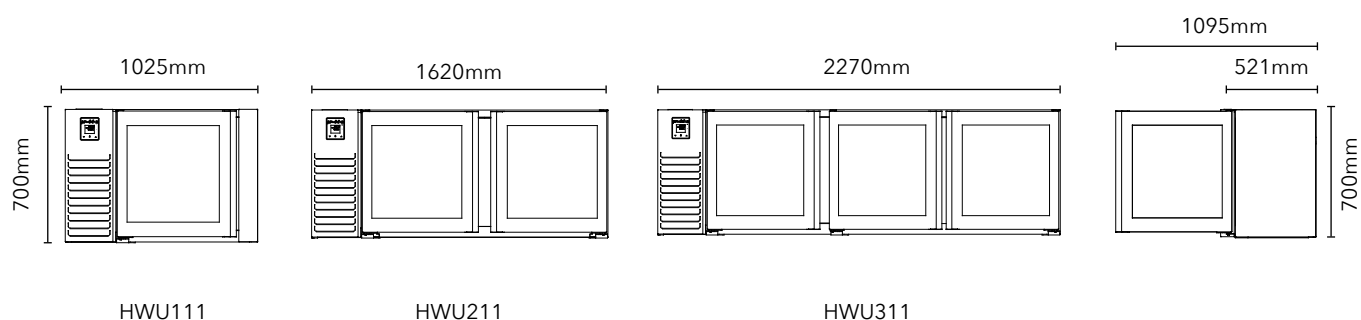
Door Locks

Extra Std Nylon Coated Shelves / Slides - GN1/1

Right Hand Hung Door (HWU111)

Floor Mount Model - On Levelling Feet +25mm

Model Specifications



Model	HWU111	HWU211	HWU311
Type	Refrigerator	Refrigerator	Refrigerator
Material	ST/ST Int/Ext	ST/ST Int/Ext	ST/ST Int/Ext
Shelf Size	GN1/1	GN1/1	GN1/1
Number of Shelves	2	4	6
Max Number of Shelves (50mm Spacing)	9	18	27
Temperature Range	1 / 4°C	1 / 4°C	1 / 4°C
Exterior WxDxH (mm)	1025x515x700	1620x515x700	2270x515x700
Net Usable Volume (litres)	67	135	202
Weight (KG)	80	110	140
Refrigerant / GWP	R134a / 1430	R134a / 1430	R134a / 1430
Refrigeration Watts (+45°C Condensing)	452	452	452
Evaporating Temp	-5°C	-5°C	-5°C
Heat Rejection Watts	678	678	678
Noise Output (dBa)	68	68	71
Power	230 / 50 / 1	230 / 50 / 1	230 / 50 / 1
Running Amps	2.2	2.2	2.2
Energy Consumption / 24hrs - kWh*	2.38	3.67	4.65
Energy Consumption / Year (AEC) - kWh*	868	1339	1697
Energy Efficiency Class*	C	D	D

*Tested to prEN16825 Ecodesign Climate Test Class 4 - M1 Classification Test for Refrigerators / L1 Classification Test for Freezers

We are constantly innovating and improving our products. Please always check our website for the most up-to-date version of this spec sheet



precision
refrigeration

Blast Chiller/Freezer



Proudly made in the UK, Precision's high performance, easy to use Blast Chiller / Freezers have been designed to provide energy efficient and reliable Chilling & Freezing solutions in commercial kitchens all around the world

Available in under counter and reach-in models with capacities ranging from 15kg to 40kg per 90 minutes chilling or 240 minute freezing cycle. All models accommodate gastronorm GN1/1 pans.

Blast Chiller / Freezer



PCF 15



PCF 40

CHILLER / FREEZER	£5,005	£7,210
-------------------	--------	--------

options and accessories

GN1/1 nylon coated shelf	each	£28	£28
GN1/1 stainless steel shelf	each	£87	£87
GN1/1 pan set (40mm deep)	per cabinet	£270	£900
left hand hung door	per cabinet	£0	£0
adjustable legs	per cabinet	£206	£378
st/st back	per cabinet	£206	£378

Notes:

supplied with tray slides only

chilling cycle = 90°C to 3°C in 90 minutes

freezing cycle = 90°C to -18°C in 240 minutes

blast chiller / freezers supplied with shelf / pan slides only

all quoted times/weights depend on food product, water content and density

Blast Chiller/Freezer



PCF40



PCF15

Key Features:

Stainless Steel Interior & Exterior

Intuitive Digital Control Panel

Blast Chill +90 To 3°C In 90 Minutes*

Chill Store 0 / +3°C

Blast Freeze +90 To -18°C in 240 Minutes*

Freeze Store -18 / -20°C

Choice Of Time Or Food Probe Control

Automatic Storage At End Of Each Blast Cycle

Automatic Defrost At End Of Each Blast Cycle

R404A Refrigerant

Zero ODP Injected Polyurethane Insulation - 60mm

Ergonomic Flush Door Handle

Gastronorm Shelving System - Anti Tilt Slides

Condensing Unit Safety System To Protect Compressor From Blocked Condensers

Self Closing Door

Heavy Duty Brake & Swivel Castors

Automatic Condensate Vaporiser System

*All Quoted Times/Weights Depend On Product, Water Content & Density

Options:

Nylon Coated Shelves - GN1/1

Stainless Steel Shelves - GN1/1

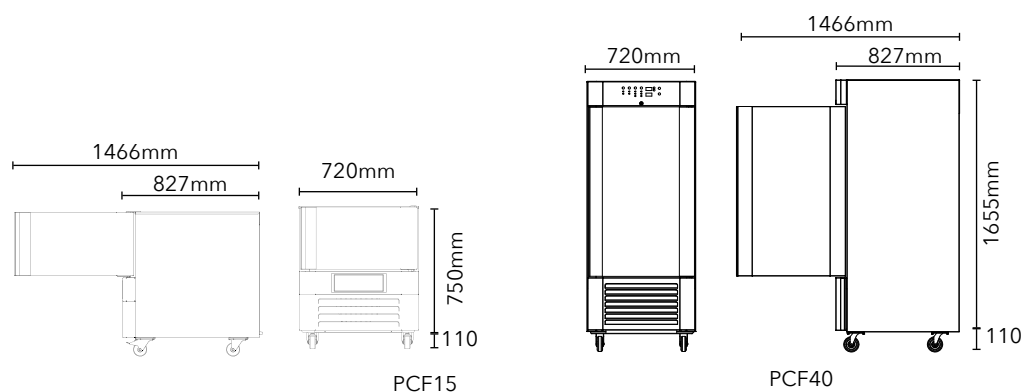
GN1/1 Pan Set - 40mm Deep

Stainless Steel Back

Adjustable Legs

Left Hand Hung Door

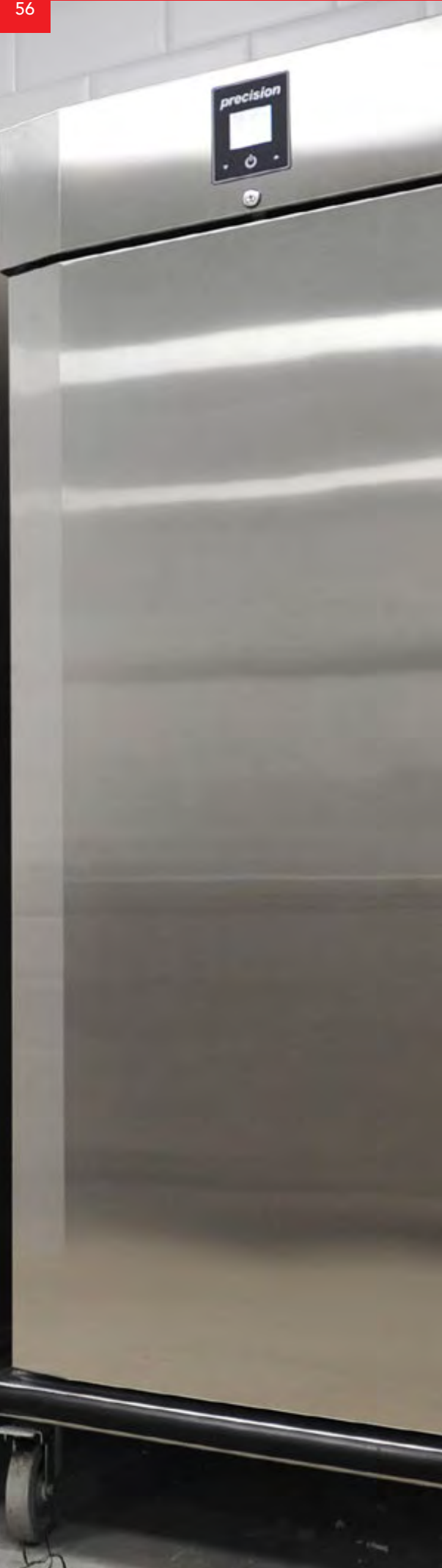
Model Specifications



Model	PCF15	PCF40
Type	Blast Chiller / Freezer	Blast Chiller / Freezer
Material	ST/ST Int/Ext	ST/ST Int/Ext
Shelf Size	GN1/1	GN1/1
Pairs of Tray Slides Supplied	3	10
Max Number of Trays/Shelves (not supplied)	3	10
Temperature Range	+90 / 3°C +90 / -18°C	+90 / 3°C +90 / -18°C
Exterior WxDxH (mm)	720x827x860	720x827x1765
Chilling / Freezing Capacity (kg)	15	40
Weight (KG)	85	180
Refrigerant / GWP	R404A / 3922	R404A / 3922
Refrigeration Watts (+45°C Condensing)	1790 / 746	2960 / 954
Evaporating Temp	-5°C / -30°C	-5°C / -30°C
Heat Rejection Watts	2685	4440
Noise Output (dBa)	85	92
Power	230 / 50 / 1	230 / 50 / 1
Running Amps	7.9 / 6.6	9.9 / 7.7
Energy Consumption / 24hrs - kWh*	N/A	N/A
Energy Consumption / Year (AEC) - kWh*	N/A	N/A
Energy Efficiency Class*	N/A	N/A

*Tested to EN16825 Climate Test Class 4 - M1 Classification Test for Refrigerators / L1 Classification Test for Freezers

We are constantly innovating and improving our products. Please always check our website for the most up-to-date version of this spec sheet



precision
refrigeration

Mobile Banquet Carts



Precision's durable all stainless steel Gastronorm mobile banquet carts have been designed to provide energy efficient and reliable mobile refrigerated and heated storage solutions for commercial kitchens all around the world.

The refrigerator model is designed to operate between -2°C and $+4^{\circ}\text{C}$ and is capable of storing 24 x GN1/1 65mm deep pans of refrigerated product.

The heated model operates between 78°C and 82°C to provide storage of 30 x GN1/1 65mm deep pans of pre-cooked food product. A humidity tray is also fitted as standard to increase the humidity within the cabinet when required.

Mobile Banquet Carts



PMR 24

£3,105



PMH 30

£2,910

REFRIGERATOR -2 / 4°C

HEATED 78 / 82°C

options and accessories

GN2/1 nylon coated shelf	each	£36	£36
GN2/1 stainless steel shelf	each	£110	£110
GN1/1 nylon coated shelf	each	£28	£28
GN1/1 stainless steel shelf	each	£87	£87

Mobile Banquet Carts



PMR24



PMH30

Key Features:

Stainless Steel Interior & Exterior

Designed To Operate In 43°C Ambient

Built-In Air Rear Duct For Even Temperature Distribution

R134a Refrigerant - Refrigerator

Zero ODP Injected Polyurethane Insulation - 60mm

-2 / +4°C Refrigerator Temperature Range

Electronic Controller With Easy Read LCD Screen

Hot Gas Defrost - Refrigerator

Door Locks Fitted As Standard

Rifle Bore Coated Evaporators - Refrigerator

Ergonomic Flush Door Handle

Gastronorm Shelving System - Anti Tilt Slides

Hi / Lo Audio Visual Temperature Alarms

Condensing Unit Safety System To Protect Compressor From Blocked Condensers

Safety Cut Out Switch On Heated Model

Heavy Duty Brake & Swivel Castors

Flush Manoeuvring Handles -Protective Bumper Bars

Options:

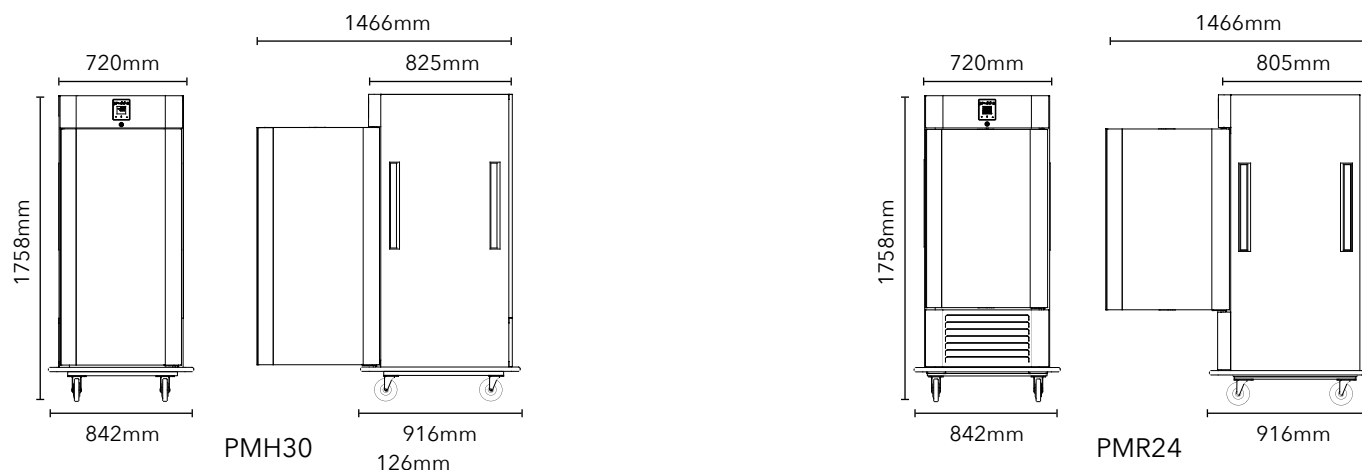
Nylon Coated Shelves - GN2/1

Stainless Steel Shelves - GN2/1

Nylon Coated Shelves - GN1/1

Stainless Steel Shelves - GN1/1

Model Specifications



Model	PMR24	PMH30
Type	Refrigerator	Heated Storage
Material	ST/ST Int/Ext	ST/ST Int/Ext
Tray Size	GN2/1	GN2/1
Pairs of Tray Slides Supplied	12	15
Max Number of Trays (80mm Spacing)	24 x GN1/1	30 x GN1/1
Temperature Range	-2 / +4°C	78 / 82°C
Exterior WxDxH (mm)	842x916x1758	842x916x1758
Net Usable Volume (litres)	282	418
Weight (KG)	155	135
Refrigerant / GWP	R134a / 1430	N/A
Refrigeration Watts (+45°C Condensing)	412	N/A
Evaporating Temp	-10°C	N/A
Heat Rejection Watts	618	N/A
Noise Output (dBa)	77	72
Power	230 / 50 / 1	230 / 50 / 1
Running Current	3.4	9.5
Energy Consumption / 24hrs - kWh*	1.42	N/A
Energy Consumption / Year (AEC) - kWh*	518	N/A
Energy Efficiency Class*	C	N/A

*Tested to prEN16825 Ecodesign Climate Test Class 4 - M1 Classification Test for Refrigerators / L1 Classification Test for Freezers

We are constantly innovating and improving our products. Please always check our website for the most up-to-date version of this spec sheet

precision
refrigeration

Back Bar Storage



Precision's Back Bar Storage cabinets combine great looks with the latest hassle free energy saving refrigeration technology. These cabinets make a stylish addition to any bar concept with numerous exterior finishes, as well as door and handle options, to compliment any interior decor.

These back bar fridges are a high impact sales tool as well as being a solid, reliable piece of equipment with robust 32°C ambient refrigeration systems. A matching 600mm wide Glass Froster is also available within this product range.

Back Bar Storage - Due For Release Late 2016

32°C Ambient



BBS 600

£1,215



BBS 900

£1,825



BBS 1350

£2,535



BBS 1850

£1,825

REFRIGERATOR 3 / 15°C

options and accessories

exterior

stainless steel (STD)	per cabinet	£0	£0	£0	£0
mirrored stainless steel	per cabinet	£84	£112	£167	£167
coloured stainless steel	per cabinet	poa	poa	poa	poa
black plastisol steel	per cabinet	£0	£0	£0	£0
painted (any RAL number)	per cabinet	£475	£670	£1,107	£1,107

height

900mm (STD)	per cabinet	£0	£0	£0	n/a
845mm	per cabinet	£0	£0	£0	n/a
800mm	per cabinet	£0	£0	£0	n/a

doors

glass (STD)	per cabinet	£0	£0	£0	£0
solid	per cabinet	£0	£0	£0	£0
sliding glass (+30mm depth)	per cabinet	n/a	£540	n/a	n/a
sliding solid (+30mm depth)	per cabinet	n/a	£540	n/a	n/a

Glass Froster



GFS 600

GLASS FROSTER -10 / -22°C

£2,035

options and accessories

As BBS 600 above - Solid doors only

Notes:

These updated models are due for release late 2016. Current BBS/GFS models are available in the meantime.

Back Bar Storage



BBS1850-GD



BBS900-GD



BBS1350-SD

Key Features:

Stainless Steel Exterior

Mirrored Stainless Steel Interior

Front Breathing & Venting Refrigeration System

Glass Doors As Standard

LED Lighting

Adjustable Perforated Stainless Steel Shelves

R134a Refrigerant

40mm Zero ODP Polyurethane Insulation

3/15°C Refrigerator Temperature Range

Electronic Controller With LED Display Discreetly Positioned Inside The Cabinet For Ease Of Access

Door Locks Fitted As Standard

Rifle Bore Coated Evaporators

Stylish "Hidden" Door Handle

Hi / Lo Audio Visual Temperature Alarms

Maintenance Free Condenser

Levelling Feet

Waste Heat Recovery Condensate Vaporiser System

Options:

Solid Doors

Sliding Glass Doors +30mm Depth

Sliding Solid Doors +30mm Depth

Mirrored Stainless Steel Exterior

Coloured Stainless Steel Exterior

Black Plastisol Steel Exterior

Painted Exterior (To Any RAL Number)

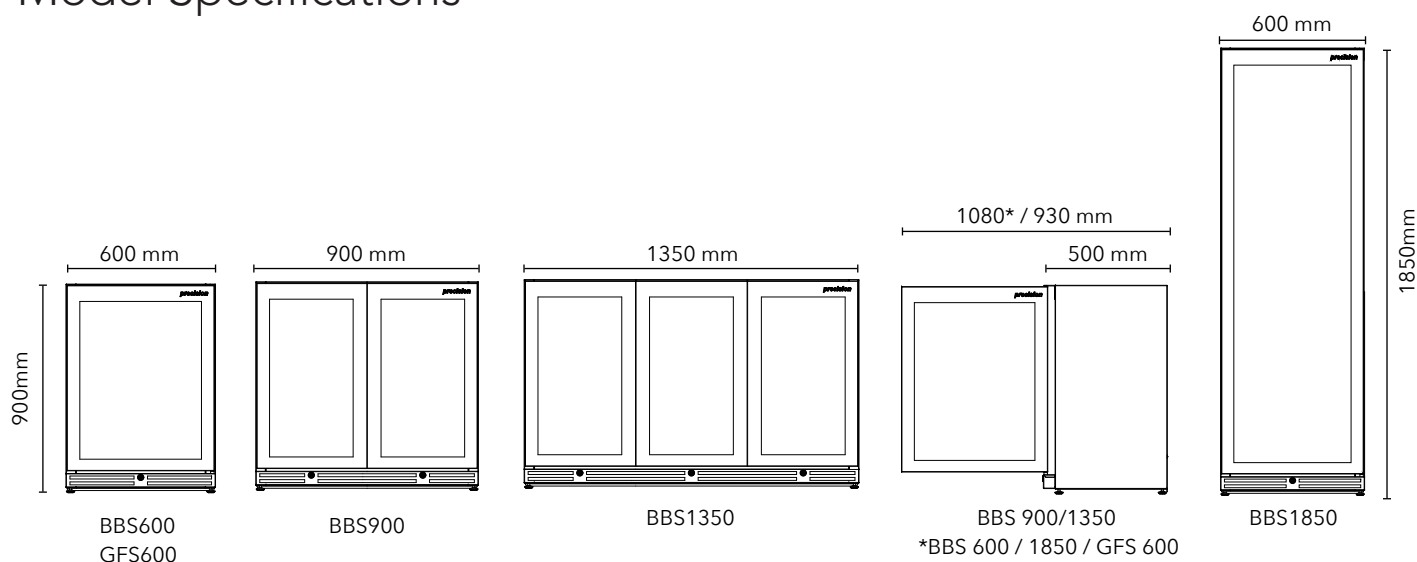
845mm Height

800mm Height

Wooden Door Options - Consult Factory

"Skinny" Door Option For Exterior Cladding - Consult Factory

Model Specifications



Model	BBS600	BBS900	BBS1350	BBS1850	GFS600
Type	Bottle Cooler	Bottle Cooler	Bottle Cooler	Bottle Cooler	Glass Froster
Material	ST/ST Int/Ext	ST/ST Int/Ext	ST/ST Int/Ext	ST/ST Int/Ext	ST/ST Int/Ext
Shelf Size (mm)	350 x 520	350 x 820	350 x 1270	350 x 520	496 x 289
Number of Shelves	2	2	2	4	2
Capacity (330cl Bottles)	126	196	296	251	N/A
Temperature Range	3 / +15°C	3 / +15°C	3 / +15°C	3 / +15°C	-10 / -22°C
Exterior WxDxH (mm)	600x500x900	900x500x900	1350x500x900	600x500x1850	600x500x900
Weight (KG)	55	71	95	95	55
Refrigerant / GWP	R134a / 1430	R134a / 1430	R134a / 1430	R134a / 1430	R404A / 3922
Refrigeration Watts (+45°C Condensing)	307	307	307	307	208
Evaporating Temp	-5°C	-5°C	-5°C	-5°C	-30°C
Heat Rejection Watts	461	461	461	461	461
Noise Output (dBa)	55	56	58	58	58
Power	230 / 50 / 1	230 / 50 / 1	230 / 50 / 1	230 / 50 / 1	230 / 50 / 1
Running Amps	1.2	1.2	1.3	1.3	1.6
Energy Consumption / 24hrs - kWh*	N/A	N/A	N/A	N/A	N/A
Energy Consumption / Year (AEC) - kWh*	N/A	N/A	N/A	N/A	N/A
Energy Efficiency Class*	N/A	N/A	N/A	N/A	N/A

*Tested to EN16825 Climate Test Class 4 - M1 Classification Test for Refrigerators / L1 Classification Test for Freezers

We are constantly innovating and improving our products. Please always check our website for the most up-to-date version of this spec sheet



precision
refrigeration

Retro Refrigeration



On the inside, a modern professional refrigerator with the latest energy-efficient features and perfect temperature control. On the outside, vintage retro styling that makes a striking focal point of any bar or kitchen. It's cutting edge technology perfectly combined with classic vintage looks.

Like every Precision product, the Retro range boasts a host of features that are either aesthetically stunning, hugely practical, or both. We've made the steel exterior even more durable and practical by giving it a clear, easy to wipe-clean coating. It makes those dirty fingerprints almost non-existent. Alternatively, give us a RAL number and we'll paint your retro refrigerator to match any colour you can dream of.

Retro Refrigeration

Retro Looks - Modern Technology



HR2U

REFRIGERATOR -2 / +4°C

£5,670

HLR2U

REFRIGERATOR / FREEZER 1/4°C & -18/-22°C

£6,750

options and accessories

clear or ribbed glass doors - 3/4 door	per door	£425
clear or ribbed glass doors - 1/2 door (not available for freezer section)	per door	£325
meat hanging rail	each	£286
painted to any RAL colour	per cabinet	£0

Retro Refrigeration



HRU2 - Solid Doors



Ribbed Glass Option



Retro Handles

Key Features:

Stainless Steel Interior & Painted Steel Exterior

Bottom Mounted Refrigeration System Designed To Work In 43°C Ambient

Built-In Air Rear Duct For Even Temperature Distribution

R134a Refrigerant - Refrigerator

Zero ODP Injected Polyurethane Insulation - 60mm

1 / +4°C Refrigerator Temperature Range

Electronic Controller With LED Display Discreetly Positioned Inside The Cabinet For Ease Of Access

Automatic Defrost

Rifle Bore Coated Evaporators

Retro Styled Ultra Heavy Duty Chrome Handles & Hinges

LED Interior Lighting

Adjustable Perforated Stainless Steel Shelves - 2 Per Door

Hi / Lo Audio Visual Temperature Alarms

Condensing Unit Safety System To Protect Compressor From Blocked Condensers

Heavy Duty Brake & Swivel Castors Covered By Colour Coded Covers To Imitate Legs

Options:

Glass Doors - Clear Glass

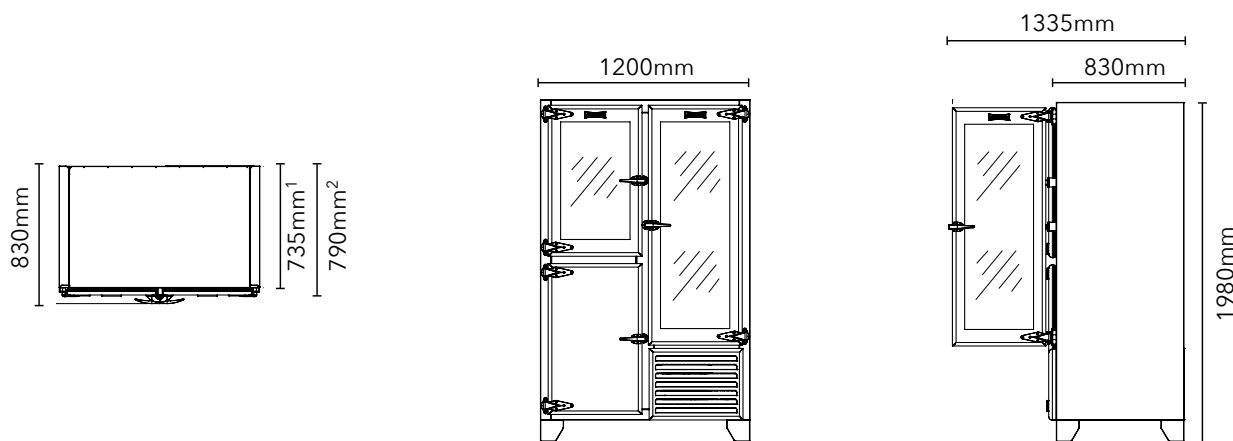
Glass Doors - Ribbed Glass

Freezer Compartment In Bottom Left Section

Exterior Painted To Any RAL Colour

Meat Hanging Rail

Model Specifications



Model	HRU2	HLRU2
Type	Refrigerator	Refrigerator / Freezer
Material	ST/ST Int/ Painted Steel Ext	ST/ST Int/ Painted Steel Ext
Shelf Size	572x525	572x525 & 572x475
Number of Shelves	6	6
Temperature Range	1/4°C	1/4°C & -18/-22°C
Exterior WxDxH (mm)	1200x830x1980	1200x830x1980
Net Usable Volume (litres)	814	797
Weight (KG)	200	215
Refrigerant / GWP	R134a / 1430	R134a/1430 & R404A/3922
Refrigeration Watts (+45°C Condensing)	632	632 / 236
Evaporating Temp	-10°C	-10°C / -30°C
Heat Rejection Watts	948	948 / 354
Noise Output (dBa)	58	77
Power	230 / 50 / 1	230 / 50 / 1
Running Current	3.2	4.8
Energy Consumption / 24hrs - kWh*	3.68	N/A
Energy Consumption / Year (AEC) - kWh*	1343	N/A
Energy Efficiency Class*	D	N/A

*Tested to prEN16825 Ecodesign Climate Test Class 4 - M1 Classification Test for Refrigerators / L1 Classification Test for Freezers

We are constantly innovating and improving our products. Please always check our website for the most up-to-date version of this spec sheet

¹ Cabinet shell depth without doors - ² Depth including doors & hinges but not handles



precision
refrigeration

Bakery Counters



Precision's durable all stainless steel bakery counters have been designed to provide bakers with reliable, energy and cost efficient refrigerated storage solutions.

Proudly made in the UK, these 600 x 400 patisserie tray format counters are capable of meeting the highest demands of commercial bakeries and patisseries all around the world.

Bakery Products

600 x 400 Bakery Racking



RBCU 264

RBCU 364

RETARDER -5 / +5°C

£3,960

£4,855

LBCU 264

LBCU 364

DEEP FREEZE -18 / -22°C

£4,525

£5,475

options and accessories

stainless steel back & unit housing	per cabinet	£213	£240
-------------------------------------	-------------	------	------

Bakery Products



RBCU264



RBCU364

Key Features:

Stainless Steel Interior & Exterior

Front Breathing & Venting Refrigeration System

Designed To Operate In 43°C Ambient

Anti-Drip Worktop

Built-In Air Duct For Even Temperature Distribution

R404A Refrigerant

Zero ODP Injected Polyurethane Insulation - 60mm

-5/ +5°C Retarder Temperature Range

Electronic Controller With Easy Read LCD Screen

Hot Gas Defrost

Door Locks Fitted As Standard

Rifle Bore Coated Evaporators

Integrated Flush Door Handle

600 x 400 Shelving System - Anti Tilt Slides

Hi / Lo Audio Visual Temperature Alarms

Condensing Unit Safety System To Protect Compressor From Blocked Condensers

Self Closing Doors

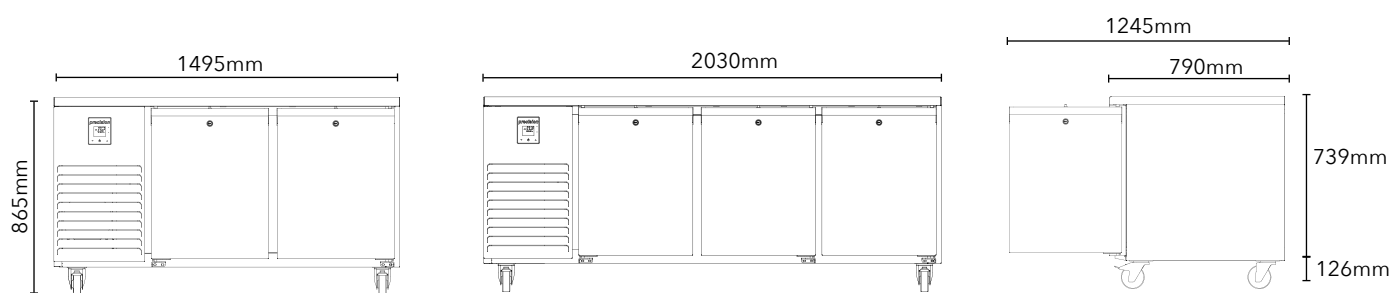
Heavy Duty Brake & Swivel Castors

Waste Heat Recovery Condensate Vaporiser System

Options:

Stainless Steel Back & Unit Housing

Model Specifications



Model	RBCU264	LBCU264	RBCU364	LBCU364
Type	Retarder	Freezer	Retarder	Freezer
Material	ST/ST Int/Ext	ST/ST Int/Ext	ST/ST Int/Ext	ST/ST Int/Ext
Tray Size	600 x 400	600 x 400	600 x 400	600 x 400
Pairs of Tray Slides Supplied	10	10	15	15
Max Number of Trays (50mm Spacing)	20	20	30	30
Temperature Range	-5 / +5°C	-18 / -22°C	-5 / +5°C	-18 / -22°C
Exterior WxDxH (mm)	1495x790x865	1495x790x865	2030x790x865	2030x790x865
Net Usable Volume (litres)	208	208	312	312
Weight (KG)	115	120	145	150
Refrigerant / GWP	R404A / 3922	R404A / 3922	R404A / 3922	R404A / 3922
Refrigeration Watts (+45°C Condensing)	1160	472	1160	472
Evaporating Temp	-10°C	-30°C	-10°C	-30°C
Heat Rejection Watts	1740	708	1740	708
Noise Output (dBa)	75	75	78	78
Power	230 / 50 / 1	230 / 50 / 1	230 / 50 / 1	230 / 50 / 1
Running Amps	3.9	4.3	3.9	4.3
Energy Consumption / 24hrs - kWh*	N/A	11.2	N/A	13.1
Energy Consumption / Year (AEC) - kWh*	N/A	4088	N/A	4782
Energy Efficiency Class*	N/A	G	N/A	G

*Tested to prEN16825 Ecodesign Climate Test Class 4 - M1 Classification Test for Refrigerators / L1 Classification Test for Freezers

We are constantly innovating and improving our products. Please always check our website for the most up-to-date version of this spec sheet

General Terms and Conditions

Your attention is drawn in particular to the provisions of clause 9.

1. INTERPRETATION

1.1 Definitions. In these Terms, the following definitions apply:

Business Day

a day (other than a Saturday, Sunday or public holiday) when banks in London are open for business.

Contract

the contract between Us and You for the sale and purchase of the Goods in accordance with these Terms.

Customer/You/Your

the person or firm who orders or agrees to purchase the Goods from Us.

Delivery Terms

Our delivery terms and conditions as amended from time to time.

Goods

the goods (or any part of them), including Spare Parts, manufactured by Precision and bearing a Precision model number and serial number.

Month

a calendar month.

Precision/We/Us/Our

Precision Refrigeration Limited of Stephenson Way, Thetford, Norfolk, IP24 3RU.

Spare Part

any replacement original part or component used to maintain or repair Our Goods.

Specification

any specification for the Goods, including any related plans and drawings, that is agreed by You and Us.

Terms and Conditions

Our terms and conditions, as amended from time to time.

UK Orders

Orders for Goods which are to be delivered to and for use in mainland United Kingdom

Warranty Terms

Our warranty terms and conditions as amended from time to time.

1.2 Construction. In these Terms, the following rules apply:

- 1.2.1 A person includes a natural person, corporate or unincorporated body (whether or not having separate legal personality).
- 1.2.2 A reference to a party includes its personal representatives, successors or permitted assigns.
- 1.2.3 A reference to a statute or statutory provision is a reference to such statute or provision as amended or re-enacted. A reference to a statute or statutory provision includes any subordinate legislation made under that statute or statutory provision, as amended or re-enacted.
- 1.2.4 Any phrase introduced by the terms including, include, in particular or any similar expression shall be construed as illustrative and shall not limit the sense of the words preceding those terms.
- 1.2.5 A reference to writing or written includes e-mails.

2. BASIS OF CONTRACT

- 2.1 Subject to the Delivery Terms and Warranty Terms, these Terms apply to the Contract to the exclusion of any other terms that You seek to impose or incorporate, or which are implied by trade, custom, practice or course of dealing.
- 2.2 The Order constitutes an offer by You to purchase the Goods in accordance with these Terms. You are responsible for ensuring that the terms of the Order and any applicable Specification are complete and accurate.
- 2.3 The Order shall only be deemed to be accepted when We issue a written acceptance of the Order, at which point the Contract shall come into existence.
- 2.4 The Contract constitutes the entire agreement between the parties. You acknowledge that You have not relied on any statement, promise, representation, assurance or warranty made or given by or on behalf of Us which is not set out in the Contract.
- 2.5 Any samples, drawings, descriptive matter, or advertising produced by Us and any descriptions or illustrations contained in Our catalogues or brochures are produced for the sole purpose of giving an approximate idea of the Goods described in them. They shall not form part of the Contract or have any contractual force.
- 2.6 A quotation for the Goods given by Us shall not constitute an offer. A quotation may be withdrawn without notice and in any event shall only be valid for a period of 30 days from its date of issue.

3. GOODS

- 3.1 The Goods are described in Our catalogue from time to time as modified by any applicable Specification.
- 3.2 You shall indemnify Us against all liabilities, costs, expenses, damages and losses (including any direct, indirect or consequential losses, loss of profit, loss of reputation and all interest, penalties and legal and other professional costs and expenses) suffered or incurred by Us in connection with any claim made against Us for actual or alleged infringement of a third party's intellectual property rights arising out of or in connection with Our use of the Specification. This clause 3.2 shall survive termination of the Contract.
- 3.3 We reserve the right to amend the specification of the Goods if required by any applicable statutory or regulatory requirements.

4. DELIVERY

- 4.1 The provisions set out in this clause 4 shall be subject to the Delivery Terms.
- 4.2 Each delivery of Goods shall be accompanied by a delivery note which shows all relevant Customer and Supplier reference numbers, the type and quantity of the Goods (including the code number of the Goods, where applicable), special storage instructions (if any) and, if the Order is being delivered by instalments, the outstanding balance of Goods remaining to be delivered.
- 4.3 We shall deliver the Goods to the location set out in the Order or such other location as the parties may agree (Delivery Location) at any time after We notify You that the Goods are ready.
- 4.4 Delivery of the Goods shall be completed on the Goods' arrival at the Delivery Location.
- 4.5 You shall be responsible for ensuring

that You have sufficient resources and manpower at the Delivery Location, at Your own risk and cost.

- 4.6 If You require notification in advance of the arrival time of the Goods, this must be stated in the Order and agreed by Us in advance in writing.
- 4.7 Any dates quoted for delivery are approximate only, and the time of delivery is not of the essence unless specified in writing. We shall not be liable for any delay in delivery of the Goods, or failure to deliver the Goods, that is caused by a Force Majeure Event or Your failure to provide Us with adequate delivery instructions or any other instructions that are relevant to the supply of the Goods, or if You fail to notify Us in writing within 6 days of receipt of an invoice.
- 4.8 Orders for Spare Parts shall be sent by same day commercial courier, provided that the Order is placed by 1pm GMT, and provided that the part is in stock.
- 4.9 If an Order for Spare Parts is placed after 1pm GMT, the Spare Part shall be sent by commercial courier on the next Business Day, provided that the part is in stock.
- 4.10 If an Order for Spare Parts is placed and the part is not in stock, You will be notified of this in writing and the part will be delivered as soon as is reasonably practicable.
- 4.11 We may deliver the Goods in separate deliveries, which shall be invoiced and paid for separately. Each individual delivery shall constitute a separate Contract. Any delay in delivery or defect in any one delivery shall not entitle You to cancel any other instalment.
- 4.12 Without prejudice to any other of Our rights hereunder, if at the quoted date of delivery all instructions reasonably required by Us and all necessary documents for the forwarding of the Goods are not available, if You shall otherwise cause or request delay, or if You are unable or unwilling to accept delivery of the Goods, You shall pay to Us on demand all storage, delivery and other relevant costs.
- 4.13 Unless otherwise agreed between the parties in writing, all costs and expenses of transportation from Our stores to the Delivery Location shall be paid for by You in accordance with Our standard delivery charges as in force at the time of delivery.
- 4.14 You are responsible for any delivery costs associated with returning the Goods to us under the Warranty Terms.
- 4.15 If Goods are being returned to Us for breach of the warranty where We are liable for the same, as set out in the Warranty Terms, We shall be responsible for any delivery costs in returning the Goods to You, if applicable.
- 4.16 We shall not be responsible for any incidental or consequential damage whatsoever.
- ## 5. QUALITY
- 5.1 Subject to the Warranty Terms, for UK Orders only, We warrant that on delivery, and for a period of 24 months from the date of delivery (warranty period), the Goods shall:
- 5.1.1 conform in all material respects with their description and any applicable Specification;
- 5.1.2 be free from material defects in design, material and workmanship; and
- 5.1.3 be of satisfactory quality (within the meaning of the Sale of Goods Act 1979).

- 5.2 Subject to clause 5.3, if:
- 5.2.1 You give notice in writing to Us during the warranty period within 10 Business Days of discovery that some or all of the Goods do not comply with the warranty set out in clause 5.1;
- 5.2.2 We are given a reasonable opportunity of examining such Goods; and
- 5.2.3 You (if asked to do so by Us) return such Goods to Our place of business at Your cost,
We shall, at Our option, repair or replace the defective Goods, or refund the price of the defective Goods in full.
- 5.3 We shall not be liable for Goods' failure to comply with the warranty set out in clause 5.1 in any of the following events:
- 5.3.1 the damage, defect or deterioration arises in respect of consumable items including, but not limited to, lights and gaskets;
- 5.3.2 You make any further use of such Goods after giving notice in accordance with clause 5.2.1;
- 5.3.3 the defect arises because You failed to follow Our oral or written instructions as to the storage, commissioning, installation, use and maintenance of the Goods or (if there are none) good trade practice regarding the same;
- 5.3.4 the defect arises as a result of Us following any drawing, design or Specification supplied by You;
- 5.3.5 You alter or repair such Goods, or authorise a third party to alter or repair such Goods, without Our written consent;
- 5.3.6 the defect arises as a result of accidental damage, fair wear and tear, wilful damage, negligence, or abnormal storage or working conditions;
- 5.3.7 the Goods differ from their description as a result of changes made to ensure they comply with applicable statutory or regulatory requirements;
- 5.3.8 the damage, defect or deterioration arises as a result of fire, lightning, flood or act of God;
- 5.3.9 the damage, defect or deterioration arises as a result of failure to maintain and service the Goods in accordance with Our operating manuals, as supplied with the Goods on delivery;
- 5.3.10 the damage, defect or deterioration arises as a result of repairs made using Spare Parts which were not manufactured by Us; or
- 5.3.11 the Goods are second hand.
- 5.4 We shall determine the cause and liability for the Goods' failure to comply with the warranty set out in clause 5.1
- 5.5 We shall at Our discretion perform a test, inspection or other examination of the Goods to be supplied under the Contract. If the Goods satisfy such test, inspection or examination they shall be deemed to be of the quality specified in the Contract.
- 5.6 We shall not be liable for defects, damage or deterioration in the Goods which are apparent on inspection unless You give written notice to Us of the alleged defects within 3 Business Days from the date of delivery of the Goods. On being so notified We shall have the right to inspect the Goods before You use or sell them in the ordinary course of Your business provided that We do so within 14 Business Days of receipt of notice from You.
- 5.7 We shall not be liable for defects in the Goods which are not apparent on inspection unless You give written notice to Us of the alleged defects within 30 days of the date of delivery of the Goods. On being so notified We shall have the right to inspect and test the Goods before You use or sell the Goods in Your ordinary course of business, provided that We do so within a reasonable time considering the nature of the defect alleged.
- 5.8 Except as provided in this clause 5, We shall have no liability to You in respect of the Goods' failure to comply with the warranty set out in clause 5.1.
- 5.9 The terms implied by sections 13 to 15 of the Sale of Goods Act 1979 are, to the fullest extent permitted by law, excluded from the Contract.
- 5.10 These Terms shall apply to any repaired or replacement Goods supplied by Us.
- 5.11 Any warranties contained herein or implied by law apply to the original Customer only and are not transferable.
- 5.12 No other warranty as to fitness for particular purpose, even if such purpose is known to Us, or of satisfactory quality shall apply to the supply of Goods by Us.
- 5.13 If You re-sell the Goods, You shall supply the buyer with a copy of Our Warranty Terms.
- 6. TITLE AND RISK**
- 6.1 The risk in the Goods shall pass to You on completion of delivery.
- 6.2 Title to the Goods shall not pass to You until We receive payment in full (in cash or cleared funds) for the Goods and any other goods that We have supplied to You in respect of which payment has become due. Title to the Goods shall pass at the time of payment of all such sums.
- 6.3 Until title to the Goods has passed to You, You shall:
- 6.3.1 store the Goods separately from all other goods held by You so that they remain readily identifiable as Our property;
- 6.3.2 not remove, deface or obscure any identifying mark or packaging on or relating to the Goods;
- 6.3.3 maintain the Goods in satisfactory condition and keep them insured against all risks for their full price from the date of delivery;
- 6.3.4 notify Us immediately if it becomes subject to any of the events listed in clause 8.3;
- 6.3.5 give Us such information relating to the Goods as We may require from time to time; and
- 6.3.6 accept liability for any loss of or damage to or deterioration of the Goods from whatever cause from the date of delivery.
- 6.4 Subject to clause 6.5, You may resell or use the Goods in the ordinary course of Your business (but not otherwise) before We receive payment for the Goods. However, if You resell the Goods before that time:
- 6.4.1 You do so as principal and not as Our agent; and
- 6.4.2 title to the Goods shall pass from Us to You immediately before the time at which resale by You occurs.
- 6.5 If before title to the Goods passes to You, You become subject to any of the events listed in clause 8.3, then, without limiting any other right or remedy We may have:
- 6.5.1 Your right to resell the Goods or use them in the ordinary course of Your business ceases immediately; and
- 6.5.2 We may at any time:
- (a) require You to deliver up all Goods in its possession which have not been resold, or irrevocably incorporated into another product; and
- (b) if You fail to do so promptly, enter any of Your premises or those premises of any third party where the Goods are stored in order to recover them.
- 7. PRICE AND PAYMENT**
- 7.1 The price of the Goods shall be the price set out in the Order, or, if no price is quoted, the price set out in Our published price list in force as at the date of delivery.
- 7.2 We may, by giving notice to You at any time before delivery, increase the price of the Goods to reflect any increase in the cost of the Goods that is due to:
- 7.2.1 any factor beyond Our control (including foreign exchange fluctuations, increases in taxes and duties, and increases in labour, materials and other manufacturing costs);
- 7.2.2 any request by You to change the delivery date(s), quantities or types of Goods ordered, or the Specification; or
- 7.2.3 any delay caused by any instructions of You or failure of You to give Us adequate or accurate information or instructions.
- 7.3 We may invoice You for the Goods on or at any time after the completion of delivery.
- 7.4 Unless otherwise agreed between You and Us, You shall pay the invoice in full and in cleared funds by the end of the month following the month the invoice was dated. Payment shall be made to the bank account nominated in writing by Us. Time of payment is of the essence.
- 7.5 If delivery of any Goods is delayed at Your request, We shall give notice in writing to You of when the Goods will be available for delivery and You shall pay for Goods at the end of the month following the month when they receive such notice and the risk of such Goods shall pass to You on the date of the giving of such notice by Us. You shall pay Our storage costs for such Goods.
- 7.6 If You fail to make any payment due to Us under the Contract by the due date for payment, then You shall pay interest on the overdue amount at the rate of 2.5% per month. Such interest shall accrue on a daily basis from the due date until actual payment of the overdue amount, whether before or after judgment. You shall pay the interest together with the overdue amount.
- 7.7 You shall pay all amounts due under the Contract in full without any set-off, counterclaim, deduction or withholding (except for any deduction or withholding required by law). We may at any time, without limiting any other rights or remedies it may have, set off any amount owing to it by You against any amount payable by Us to You.
- 8. TERMINATION AND SUSPENSION**
- 8.1 We may terminate the Contract by giving 7 days writing in notice to You.
- 8.2 If You become subject to any of the events listed in clause 8.3, We may terminate the Contract with immediate effect by giving written notice to You.
- 8.3 For the purposes of clause 8.2, the relevant events are:
- 8.3.1 You suspend, or threaten to suspend, payment of Your debts, or are unable to pay Your debts as they fall due or admit inability to pay Your debts, or (being a company or limited liability partnership) are deemed unable to pay Your debts within the meaning of section 123 of the Insolvency Act 1986, or (being a partnership) has any partner to whom any of the foregoing apply;
- 8.3.2 You commence negotiations with all or any class of Your creditors with a view to rescheduling any of its debts, or make a proposal for or enters into any compromise or arrangement with Your creditors;

- 8.3.3 (being a company) a petition is filed, a notice is given, a resolution is passed, or an order is made, for or in connection with the winding up of You;
- 8.3.4 (being a company) an application is made to court, or an order is made, for the appointment of an administrator or if a notice of intention to appoint an administrator is given or if an administrator is appointed over You;
- 8.3.5 (being a company) the holder of a qualifying floating charge over Your assets has become entitled to appoint or has appointed an administrative receiver;
- 8.3.6 a person becomes entitled to appoint a receiver over Your assets or a receiver is appointed over Your assets;
- 8.3.7 a creditor or encumbrancer of You attaches or takes possession of, or a distress, execution, sequestration or other such process is levied or enforced on or sued against, the whole or any part of its assets and such attachment or process is not discharged within 14 days;
- 8.3.8 any event occurs, or proceeding is taken, with respect to You in any jurisdiction to which You are the subject that has an effect equivalent or similar to any of the events mentioned in clause 8.3.1 to clause 8.3.6 (inclusive);
- 8.3.9 You suspend, threaten to suspend, cease or threaten to cease to carry on all or a substantial part of Your business; and
- 8.3.10 Your financial position deteriorates to such an extent that in Our opinion Your capability to adequately fulfil Your obligations under the Contract has been placed in jeopardy.
- 8.4 Without limiting Our other rights or remedies, We may suspend provision of the Goods, re-take possession of the Goods and may demand prepayment of the price of the Goods under the Contract or any other contract between You and Us if You become subject to any of the events listed in clause 8.3.1 to clause 8.3.10, or We reasonably believe that You are about to become subject to any of them, or if You fail to pay any amount due under this Contract on the due date for payment.
- 8.5 On termination of the Contract for any reason You shall immediately pay to Us all of Our outstanding unpaid invoices and interest.
- 8.6 Termination of the Contract, however arising, shall not affect any of the parties' rights, remedies, obligations and liabilities that have accrued as at termination.
- 8.7 In addition to Our statutory rights, if any of the events set out in clause 8.3 occur We shall be entitled to a general lien on all Goods of Yours in Our possession for the unpaid price of any Goods sold and delivered to You by Us, and payment in respect of any Goods in Your possession shall become immediately due and payable notwithstanding any previous agreement or arrangement to the contrary.
- 8.8 Clauses which expressly or by implication survive termination of the Contract shall continue in full force and effect.
- 9. CANCELLATION**
- 9.1 You may cancel the Order in whole or in part by giving written notice to Us. We may in Our discretion accept the notice of cancellation.
- 9.2 Should We accept the notice of cancellation in accordance with clause 9.1 You shall indemnify Us in respect of any and all losses, costs and expenses incurred by Us from the date of the Order to the date upon which We accept the notice of cancellation.
- 9.3 We reserve the right to charge on demand a reasonable cancellation charge. The cancellation charge shall not exceed 20% of the invoice value of the Goods.
- 9.4 Cancellation of non-standard Goods will be non-refundable.
- 10. RETURNS**
- 10.1 Subject to the Warranty Terms:
- 10.1.1 the return of Goods will be at Our absolute discretion;
- 10.1.2 should We accept the return of the Goods we will notify You in writing and issue You with a return number;
- 10.1.3 should We accept the return of the Goods, You will be responsible for the costs of returning the Goods to Us;
- 10.1.4 subject to the provisions of this clause 10, should We accept the return of the Goods We will refund You the price You paid for the Goods, provided that they are returned in the same condition as they were delivered to You.
- 11. LIMITATION OF LIABILITY**
- 11.1 Nothing in these Terms shall limit or exclude Our liability for:
- 11.1.1 death or personal injury caused by Our negligence, or the negligence of Our employees, agents or subcontractors (as applicable);
- 11.1.2 fraud or fraudulent misrepresentation;
- 11.1.3 breach of the terms implied by section 12 of the Sale of Goods Act 1979;
- 11.1.4 defective products under the Consumer Protection Act 1987; or
- 11.1.5 any matter in respect of which it would be unlawful for Us to exclude or restrict liability.
- 11.2 Subject to clause 11.1:
- 11.2.1 We shall under no circumstances whatever be liable to You, whether in contract, tort (including negligence), breach of statutory duty, or otherwise, for any loss of profit, or any indirect or consequential loss arising under or in connection with the Contract; and
- 11.2.2 Our total liability to You in respect of all other losses arising under or in connection with the Contract, whether in contract, tort (including negligence), breach of statutory duty, or otherwise, shall in no circumstances exceed 100% of the price of the Goods.
- 12. FORCE MAJEURE**
- We shall not be liable for any failure or delay in performing Our obligations under the Contract to the extent that such failure or delay is caused by a Force Majeure Event. A Force Majeure Event means any event beyond a party's reasonable control, which by its nature could not have been foreseen, or, if it could have been foreseen, was unavoidable, including strikes, lock-outs or other industrial disputes (whether involving its own workforce or a third party's), failure of energy sources or transport network, acts of God, war, terrorism, riot, civil commotion, interference by civil or military authorities, national or international calamity, armed conflict, malicious damage, breakdown of plant or machinery, nuclear, chemical or biological contamination, sonic boom, explosions, collapse of building structures, fires, floods, storms, earthquakes, loss at sea, epidemics or similar events, natural disasters or extreme adverse weather conditions, or default of suppliers or subcontractors.
- 13. INFORMATION**
- 13.1 All information, relating to the construction, assembly, use, storage or disposal of the Goods made available to You at any point (Information) shall be supplied by You to any person to whom
- You resell the Goods to, or any product in which the Goods are incorporated and You shall require that person to do the same in the event that they resell the Goods or any product in which the Goods are incorporated.
- 13.2 You shall indemnify Us in full against any and all liabilities, costs, expenses and claims arising out of any failure by any person other than Us to make such Information available to any other person.
- 14. DISPUTE RESOLUTION**
- 14.1 If a dispute arises out of or in connection with this agreement or the performance, validity or enforceability of it (Dispute) then the parties shall follow the procedure set out in this clause:
- 14.1.1 Either party shall give to the other written notice of the Dispute, setting out its nature and full particulars (Dispute Notice) together with relevant supporting documents. On service of the Dispute Notice the parties shall attempt in good faith to resolve the Dispute;
- 14.1.2 If the parties are for any reason unable to resolve the Dispute within 30 days of service of the Dispute Notice, the parties will attempt to settle it by mediation in accordance with the CEDR Model Mediation Procedure. Unless otherwise agreed between the parties, the mediator shall be nominated by CEDR Solve. To initiate the mediation a party must serve notice in writing (ADR Notice) to the other party to the Dispute, requesting a mediation. A copy of the ADR Notice should be sent to CEDR Solve. The mediation will start no later than 30 days after the date of the ADR Notice.
- 14.2 The Dispute shall be finally resolved by arbitration proceedings in accordance with this agreement. No party may commence any arbitration proceedings under clause 14 in relation to the whole or part of the Dispute until 60 days after service of the ADR Notice, or if either party fails to participate or to continue to participate in the mediation before the expiration of the said period of 60 days, or the mediation terminates before the expiration of the said period of 60 days.
- 15. GENERAL**
- 15.1 Assignment and other dealings.
- 15.1.1 We may at any time assign, transfer, mortgage, charge, subcontract or deal in any other manner with all or any of Our rights or obligations under the Contract.
- 15.1.2 You may not assign, transfer, mortgage, charge, subcontract, declare a trust over or deal in any other manner with any or all of Your rights or obligations under the Contract without Our prior written consent.
- 15.2 Notices.
- 15.2.1 Any notice or other communication given to a party under or in connection with the Contract shall be in writing, addressed to that party at its registered office (if it is a company) or its principal place of business (in any other case) or such other address as that party may have specified to the other party in writing in accordance with this clause, and shall be delivered personally, sent by pre-paid first class post or other next working day delivery service, commercial courier, or e-mail.
- 15.2.2 A notice or other communication shall be deemed to have been received: if delivered personally, when left at the address referred to in clause 15.2.1; if sent by pre-paid first class post or other next working day delivery service, at 9.00 am GMT on the second Business Day after posting; if delivered by commercial courier, on the date and at the time that

the courier's delivery receipt is signed; or e-mail, one Business Day after transmission.

15.2.3 The provisions of this clause shall not apply to the service of any proceedings or other documents in any legal action.

15.3 Severance.

15.3.1 If any provision or part-provision of the Contract is or becomes invalid, illegal or unenforceable, it shall be deemed modified to the minimum extent necessary to make it valid, legal and enforceable. If such modification is not possible, the relevant provision or part-provision shall be deemed deleted. Any modification to or deletion of a provision or part-provision under this clause shall not affect the validity and enforceability of the rest of the Contract.

15.3.2 If any provision or part-provision of this Contract is invalid, illegal or unenforceable, the parties shall negotiate in good faith to amend such provision so that, as amended, it is legal, valid and enforceable, and, to the greatest extent possible, achieves the intended commercial result of the original provision.

15.4 Waiver. A waiver of any right or remedy under the Contract or law is only effective if given in writing and shall not be deemed a waiver of any subsequent breach or default. No failure or delay by a party to exercise any right or remedy provided under the Contract or by law shall constitute a waiver of that or any other right or remedy, nor shall it prevent or restrict the further exercise of that or any other right or remedy. No single or partial exercise of such right or remedy shall prevent or restrict the further exercise of that or any other right or remedy.

15.5 Third party rights. A person who is not a party to the Contract shall not have any rights to enforce its terms.

15.6 Variation. Except as set out in these Terms, no variation of the Contract, including the introduction of any additional terms and conditions, shall be effective unless it is in writing and signed by Us.

15.7 Governing law. The Contract, and any dispute or claim arising out of or in connection with it or its subject matter or formation (including non-contractual disputes or claims), shall be governed by, and construed in accordance with the law of England and Wales.

Warranty Terms

1. INTERPRETATION

1.1 Definitions. In these Warranty Terms, the following definitions apply:

Business Day

a day (other than a Saturday, Sunday or public holiday) when banks in London are open for business.

Delivery Terms

Our delivery terms and conditions as amended from time to time.

Goods

the goods (or any part of them), including Spare Parts, manufactured by Precision and bearing a Precision model number and serial number.

Month

a calendar month.

Precision/We/Us/Our

Precision Refrigeration Limited of Stephenson Way, Thetford, Norfolk, IP24 3RU.

Spare Part

any replacement original part or component used to maintain or repair Our Goods.

Specification

any specification for the Goods, including any related plans and drawings, that is agreed by You and Us.

Terms and Conditions

Our terms and conditions, as amended from time to time.

UK Orders

Orders for Goods which are to be delivered to and for use in mainland United Kingdom

You/Your

the person or firm who purchases the Goods from Us or an authorised third party distributor.

Warranty Terms

the warranty terms and conditions set out in this document as amended from time to time.

1.2 Unless overridden within these Warranty Terms, all terms contained in the Terms and Conditions and Delivery Terms shall apply.

2. WARRANTY

2.1 Our warranty applies to Our Goods, unless otherwise specified in writing.

2.2 Subject to clause 3, for UK Orders only, We warrant that on delivery, and for a period of 24 months from the date of delivery (warranty period), the Goods shall:

2.2.1 conform in all material respects with their description and any applicable Specification;

2.2.2 be free from material defects in design, material and workmanship; and

2.2.3 be of satisfactory quality (within the meaning of the Sale of Goods Act 1979).

2.3 Subject to the provisions set out in clause 3, if:

2.3.1 You give notice in writing to Us during the warranty period within the time scales set out in clause 3.3 that some or all of the Goods do not comply with the warranty set out in clause 2.2

2.3.2 We are given a reasonable opportunity of examining such Goods; and

2.3.3 You (if asked to do so by Us) return such Goods to Our place of business at Your cost;

We shall, at Our option, repair or replace the defective Goods, or refund the price of the defective Goods in full.

2.4 We shall determine the cause and liability for the Goods' failure to comply with the warranty set out in clause 2.2.

2.5 We shall at Our discretion perform a test, inspection or other examination of the Goods. If the Goods satisfy such test, inspection or examination they shall be deemed to be of the quality as set out in clause 2.2.

2.6 These Warranty Terms shall apply to any repaired or replacement Goods supplied by Us.

2.7 No other warranty as to fitness for particular purpose, even if such purpose is known to Us, or of satisfactory quality shall apply to the supply of Goods by Us.

3. EXCEPTIONS

3.1 Except as provided in clause 2 We shall have no liability to You in respect of the Goods' failure to comply with the warranty set out in clause 2.2.

3.2 These Warranty Terms apply solely to Goods located in mainland United Kingdom.

3.3 We shall not be liable for defects, damage or deterioration in the Goods unless You give written notice to Us of the alleged defects within 10 Business Days from the date of discovery. On being so notified We shall have the right to inspect the Goods before You use or sell them in the ordinary course of Your business provided that We do so within 14 Business Days of receipt of notice from You.

3.4 We shall not be liable for Goods' failure to comply with the warranty set out in clause 2.2 in any of the following events:

3.4.1 the damage, defect or deterioration arises in respect of consumable items including, but not limited to, lights and gaskets;

3.4.2 You make any further use of such Goods after giving notice in accordance with clause 3.3;

3.4.3 the defect arises because You failed to follow Our oral or written instructions as to the storage, commissioning, installation, use and maintenance of the Goods or (if there are none) good trade practice regarding the same;

3.4.4 the defect arises as a result of Us following any drawing, design or Specification supplied by You;

3.4.5 You alter or repair such Goods, or authorise a third party to alter or repair such Goods, without Our written consent;

3.4.6 the defect arises as a result of accidental damage, fair wear and tear, wilful damage, negligence, or abnormal storage or working conditions;

3.4.7 the Goods differ from their description as a result of changes made to ensure they comply with applicable statutory or regulatory requirements;

3.4.8 the damage, defect or deterioration arises as a result of fire, lightning, flood or act of God;

3.4.9 the damage, defect or deterioration arises as a result of failure to maintain and service the Goods in accordance with Our operating manuals, as supplied with the Goods on delivery;

3.4.10 the damage, defect or deterioration arises as a result of repairs made using Spare Parts which were not manufactured by Us; or

3.4.11 the Goods are second hand.

3.5 The terms implied by sections 13 to 15 of the Sale of Goods Act 1979 are, to the fullest extent permitted by law, excluded from the Warranty Terms.

3.6 We are not responsible for any loss relating to food or other contents stored in Our Goods.

4. WARRANTY CLAIM

4.1 If You wish to make a warranty claim You must:

4.1.1 Contact Us on +44 (0)1842753994;

4.1.2 Provide Us with the equipment model and serial number;

4.1.3 Provide Us with the location of the machine and site contact details;

4.1.4 Provide Us with a description of the fault.

5. GENERAL

5.1 We aim to respond to all warranty claims on the next Business Day or as soon as is reasonably practicable.

5.2 Warranty work will be carried out by Us during Our normal business hours (8.30am - 5pm, Monday - Friday). Work carried out outside of these times is chargeable to You, subject to quotation and order.

5.3 Contents risk and insurance remains Your responsibility at all times.

5.4 An extended warranty period may be agreed in writing between You and Us at additional cost to You.

6. DELIVERY

6.1 You are responsible for any delivery costs associated with returning the Goods to us.

6.2 If Goods are being returned to Us for breach of the warranty in clause 2.2 where We are liable for the same, We shall be responsible for any delivery costs in returning the Goods to You, if applicable.

6.3 We shall not be responsible for any incidental or consequential damage whatsoever.

Delivery Terms

1. INTERPRETATION

1.1 Definitions. In these Delivery Terms, the following definitions apply:

Business Day

a day (other than a Saturday, Sunday or public holiday) when banks in London are open for business.

Contract

the contract between Us and You for the sale and purchase of the Goods in accordance with the Terms and Conditions.

Customer/You/Your

the person or firm who orders or agrees to purchase the Goods from Us.

Delivery Terms

the delivery terms and conditions set out in this document as amended from time to time.

Force Majeure Event

has the meaning given in clause 4.

Goods

the goods (or any part of them), including Spare Parts, as set out in the Order.

Kerbside

external areas with clear access and no parking or other restrictions.

Month

a calendar month.

Order

Your order for the Goods, as set out in Your purchase order form, or Your written acceptance of Our quotation, as the case may be.

Precision/We/Us/Our

Precision Refrigeration Limited of Stephenson Way, Thetford, Norfolk, IP24 3RU.

Product

each individual item which comprises the Goods.

Spare Part

any replacement original part or component used to maintain or repair Our Goods.

Specific Day Delivery

has the meaning given in clause 2.3.

Specific Timed Delivery

has the meaning given in clause 2.2.

Standard Delivery

has the meaning given in clause 2.1

UK Orders

Orders for Goods which are to be delivered to and for use in mainland United Kingdom.

Terms and Conditions

Our terms and conditions, as amended from time to time.

Warranty Terms

Our warranty terms and conditions as amended from time to time.

1.2 Unless overridden within these Delivery Terms, all terms contained in the Terms and Conditions and Warranty Terms shall apply.

2. DELIVERY OPTIONS

2.1 Standard Delivery (3-5 Business Days)

2.1.1 Subject to clause 2.1.7, Orders placed for Standard Delivery will be delivered within 3-5 Business Days of the date of the Order.

2.1.2 Subject to clauses 2.1.3 - 2.1.6, Standard

Delivery for UK Orders shall be free of charge.

2.1.3 Standard Delivery applies only to ground floor sites.

2.1.4 Standard Delivery applies only to deliveries to Kerbside and does not include installation or positioning on site.

2.1.5 Standard Delivery shall exclude the following locations:

(a) locations north of Edinburgh and Glasgow;

(b) locations west of Glasgow;

(c) locations west of Chester;

(d) locations west of Torquay.

2.1.6 Delivery to the locations set out in clause

2.1.5, as amended from time to time, shall be subject to quotation by Us and shall be agreed by Us in writing.

2.1.7 Standard Delivery shall be subject to availability of Products and transport. Time shall not be of the essence.

2.2 Specific Timed Delivery

2.2.1 Specific Timed Delivery applies only within 3-5 Business Days of the date of the Order.

2.2.2 Subject to clauses 2.2.3 - 2.2.6, Specific Timed Delivery shall cost £80 +VAT per Delivery.

2.2.3 Specific Timed Delivery applies only to ground floor sites.

2.2.4 Specific Timed Delivery applies only to deliveries to Kerbside and does not include installation or positioning on site.

2.2.5 Specific Timed Delivery shall exclude the following locations:

(a) locations north of Edinburgh and Glasgow;

(b) locations west of Glasgow;

(c) locations west of Chester;

(d) locations west of Torquay.

2.2.6 Delivery to the locations set out in clause

2.2.5, as amended from time to time, shall be subject to quotation by Us and shall be agreed by Us in writing.

2.2.7 Specific Timed Delivery shall be subject to availability of Products and transport. Time shall not be of the essence.

2.3 Specific Day Delivery

2.3.1 Specific Day Delivery shall be subject to quotation by Us and agreed by Us in writing.

2.3.2 Specific Day Delivery applies only to ground floor sites.

2.3.3 Specific Day Delivery applies only to deliveries to Kerbside and does not include installation or positioning on site.

2.3.4 Specific Day Delivery shall be subject to availability of Products and transport. Time shall not be of the essence.

2.4 Spare Parts

2.4.1 UK Orders for Spare Parts shall be sent by same day commercial courier, provided that the Order is placed by 1pm GMT, and provided that the part is in stock.

2.4.2 If an Order for Spare Parts is placed after 1pm GMT, the Spare Part shall be sent by commercial courier on the next Business Day, provided that the part is in stock.

2.4.3 If an Order for Spare Parts is placed and the part is not in stock, You will be notified of this in writing and the part will be delivered as soon as is reasonably practicable.

2.4.4 Costs for delivery of Spare Parts shall be subject to quotation.

2.5 Unpacking and installation of the Goods shall be charged at £125 +VAT per Product.

2.6 Kerbside collection of a like for like

existing Product upon delivery of a Product shall be charged at £55 +VAT.

2.7 If You postpone or cancel Your delivery, You may incur a penalty subject to a minimum fee of the costs of delivery and subject to a maximum fee of 20% of the value of the Order, at Our discretion.

3. GENERAL DELIVERY TERMS

3.1 Each delivery of Goods shall be accompanied by a delivery note which shows all relevant Customer and Supplier reference numbers, the type and quantity of the Goods (including the code number of the Goods, where applicable), special storage instructions (if any) and, if the Order is being delivered by instalments, the outstanding balance of Goods remaining to be delivered.

3.2 We shall deliver the Goods to the location set out in the Order or such other location as the parties may agree (Delivery Location) at any time after We notify You that the Goods are ready.

3.3 Delivery of the Goods shall be completed on the Goods' arrival at the Delivery Location.

3.4 You shall be responsible for ensuring that You have sufficient resources and manpower at the Delivery Location, at Your own risk and cost.

3.5 If You require notification in advance of the arrival time of the Goods, this must be stated in the Order and agreed by Us in advance in writing.

3.6 Any dates quoted for delivery are approximate only, and the time of delivery is not of the essence unless specified in writing. We shall not be liable for any delay in delivery of the Goods, or failure to deliver the Goods, that is caused by a Force Majeure Event or Your failure to provide Us with adequate delivery instructions or any other instructions that are relevant to the supply of the Goods, or if You fail to notify Us in writing within 6 days of receipt of an invoice.

3.7 We may deliver the Goods in separate deliveries, which shall be invoiced and paid for separately. Each individual delivery shall constitute a separate Contract. Any delay in delivery or defect in any one delivery shall not entitle You to cancel any other instalment.

3.8 Without prejudice to any other of Our rights hereunder, if at the quoted date of delivery all instructions reasonably required by Us and all necessary documents for the forwarding of the Goods are not available, if You shall otherwise cause or request delay, or if You are unable or unwilling to accept delivery of the Goods, You shall pay to Us on demand all storage, delivery and other relevant costs.

3.9 Unless otherwise agreed between the parties in writing, all costs and expenses of transportation from Our stores to the Delivery Location shall be paid for by You in accordance with Our standard delivery charges as in force at the time of delivery.

3.10 You are responsible for any delivery costs associated with returning the Goods to us under the Warranty Terms.

3.11 If Goods are being returned to Us for breach of the warranty where We are liable for the same, as set out in the Warranty Terms, We shall be responsible for any delivery costs in returning the Goods to You, if applicable.

3.12 We shall not be responsible for any incidental or consequential damage whatsoever.

4. FORCE MAJEURE

We shall not be liable for any failure or delay in performing Our obligations under the Contract to the extent that such failure or delay is caused by a Force Majeure Event. A Force Majeure Event means any event beyond a party's reasonable control, which by its nature could not have been foreseen, or, if it could have been foreseen, was unavoidable, including strikes, lock-outs or other industrial disputes (whether involving its own workforce or a third party's), failure of energy sources or transport network, acts of God, war, terrorism, riot, civil commotion, interference by civil or military authorities, national or international calamity, armed conflict, malicious damage, breakdown of plant or machinery, nuclear, chemical or biological contamination, sonic boom, explosions, collapse of building structures, fires, floods, storms, earthquakes, loss at sea, epidemics or similar events, natural disasters or extreme adverse weather conditions, or default of suppliers or subcontractors.





precision r e f r i g e r a t i o n



Precision Refrigeration Limited
Stephenson Way
Thetford
Norfolk IP24 3RU
United Kingdom

p +44 (0)1842 753 994
f +44 (0)1842 766 636
e sales@precision-refrigeration.co.uk

precision-refrigeration.co.uk