



CONTEMPORARY

3-INCH NARROW STILE TERRACE DOOR

Are you looking for a solution for your contemporary design challenges? Look no further. Loewen has the perfect product option for you. We have created 3" Narrow Stile Door options that are available for Terrace Doors, French Terrace Doors and BiFold Doors. The standard panel thickness of the new Contemporary Narrow Stile Door is 1 3/4". It comes with 3" stiles, a 3" top rail and a 4 5/16" bottom rail. (optional 7 7/8" bottom rails)

These doors are designed to give maximum views with minimal sash framework. The Narrow Stile Door options have slim profiles on all four sides of the door, which creates a less obstructive door that frames exterior views beautifully. By using square interior glazing stops, trending clad colors and one of our many contemporary handle sets, this narrow stile option is the perfect complement for modern architecture.



LOEWEN NARROW STILE TERRACE DOOR

FEATURES

- Narrower stiles and rails compared to standard Terrace Door panels
- Incorporates standard Terrace Door frame and sill
- Available as inswing, outswing, and fixed Terrace Doors
- Available for BiFold
- Metal Clad only in all current finishes with the exception of Cyprium
- Not available in shaped units, rectangle only



SIZES

- Maximum sizes for a single Terrace Door (TD1) is a width of 36 $\frac{3}{8}$ " (924mm) and a height of 106 $\frac{5}{16}$ " (2700mm) or a width of 40 $\frac{5}{16}$ " (1024mm) and a height of 94 $\frac{1}{2}$ " (2400mm)
 - Rough Opening and OSM remains the same as a standard Terrace Door, refer to TD1-0927 and TD1-1024 in the Loewen Technical Guide
- Maximum sizes for a French Door (FD2) is a width of 72" (1829mm) and a height of 106 $\frac{5}{16}$ " (2700mm) or a width of 79 $\frac{7}{8}$ " (2029mm) and a height of 94 $\frac{1}{2}$ " (2400mm)
 - Rough Opening and OSM remains the same as a standard Terrace Door, refer to FD2-1827 and FD2-2024 in the Loewen Technical Guide



Out-Swing

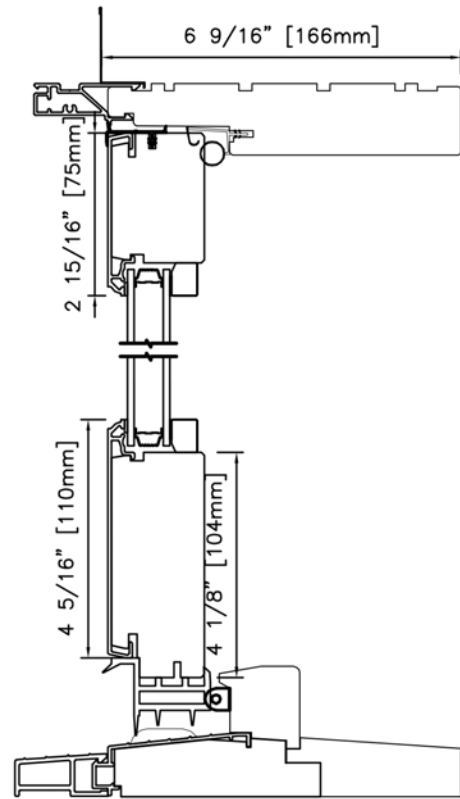
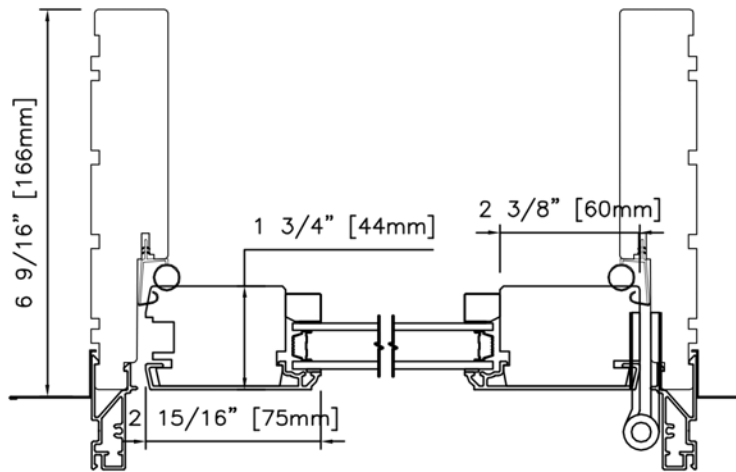


In-Swing

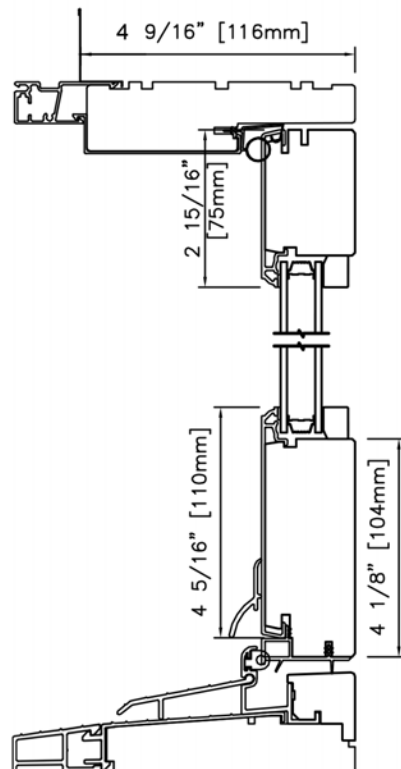
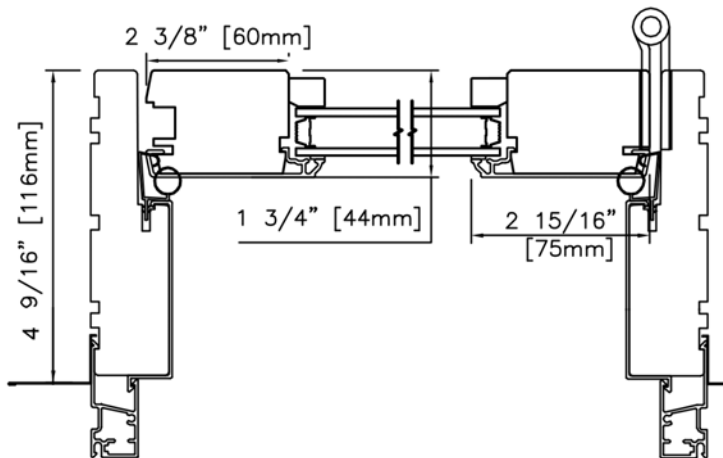
OPTIONS

- Optional 7 $\frac{7}{8}$ " bottom rail to align with other Terrace Door / French Door units on the job
- Ogee, Putty, Square interior glazing stops are all available along with complementary SDL bars
- All current Terrace Door handle sets are available, including the new Dallas handle set

LOEWEN NARROW STILE TERRACE DOOR



3-in Generic Out-Swing



3-in Generic In-Swing

TO FIND YOUR NEAREST LOEWEN DEALER GO TO WWW.LOEWEN.COM

Information subject to change without notice.

Distributed by Loewen Inc. in the USA and C.P. Loewen Enterprises Ltd. in Canada and internationally.
Trade Marks owned by C.P. Loewen Enterprises Ltd. Used under license. © C.P. Loewen Enterprises Ltd.
All rights reserved.



Recycled Paper
Printed in Canada
112015

Loewen