

## DURWEN HEADQUARTER



## DURWEN SUPPORT WORLDWIDE



- Made in Germany
- Broad product range
- Worldwide support network
- Worldwide shipping



More than 60 years experience

# DURWEN ROTATORS

## INNOVATIVE – VERSATILE – DURABLE

## DSP-TECHNOLOGY IS THE DURWEN SERVICEPLUS PERFORMANCE

DSP gives maximum utilisation with a minimum of maintenance and repair cost.

DSP-Technology allows quick and easy parts replacement by means of bolted modular key components.

### DSP-Technology means:

- many common parts
- reduced maintenance costs
- excellent product service life
- extended maintenance intervals
- wear parts with a first rate service life
- reduced maintenance work
- maximum efficiency



The Durwen ServicePlus package is based upon decades of Expertise - Know How that benefits customers because DSP-Technology is extra profit without extra costs.

DSP-Technology means short, managed maintenance intervals and reasonably priced replacement spare parts.

DSP-Technology is enhanced profit technology.



More than 60 years experience

Durwen Maschinenbau GmbH  
August-Horch-Straße 5  
56637 Plaidt - Germany

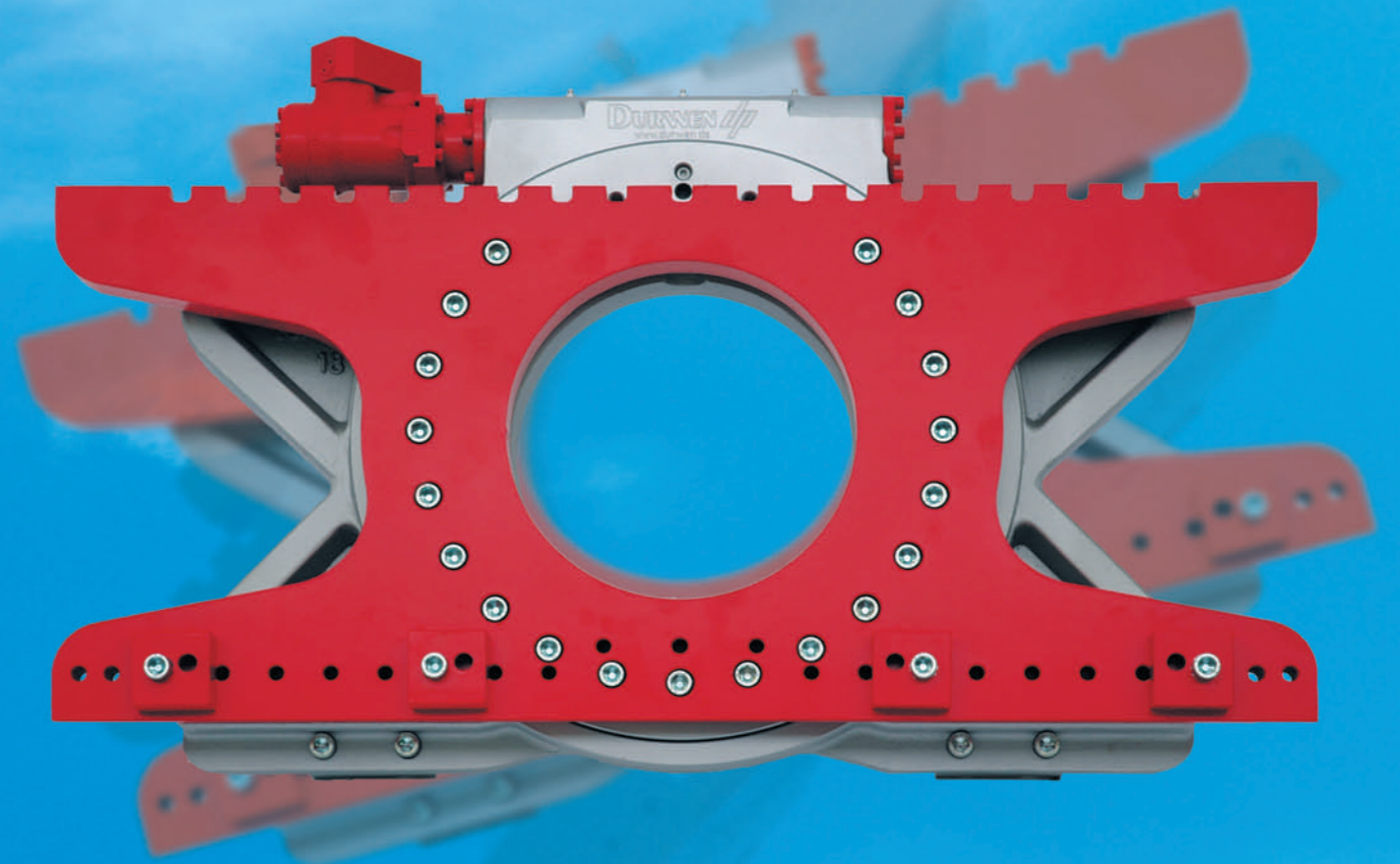
Phone: +49 26 32-70 00-0  
Fax: +49 26 32-70 00-31

export@durwen.de  
www.durwen.de



your partner

DG\_4S\_ENG\_03/2015



Management System  
ISO 9001:2008  
www.tuv.com  
ID 1100001000





## DURWEN 360° ROTATORS

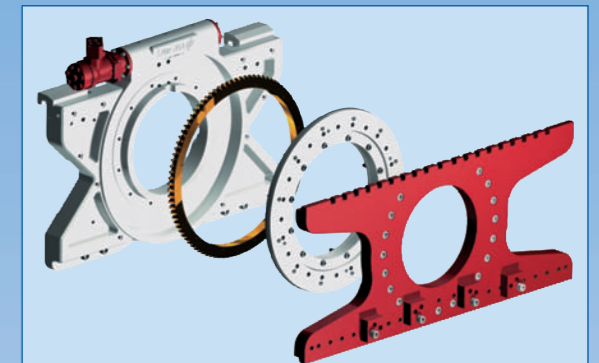
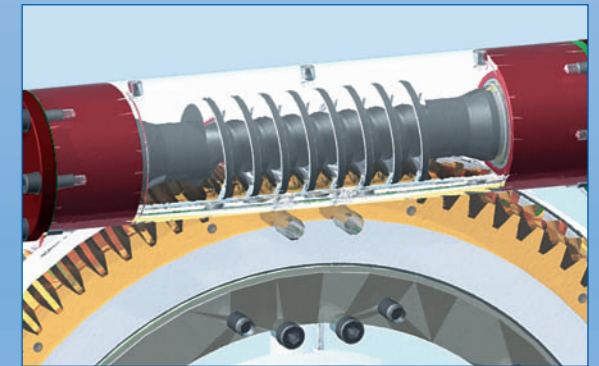
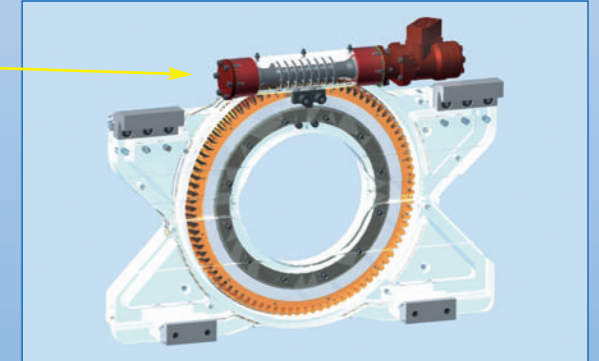
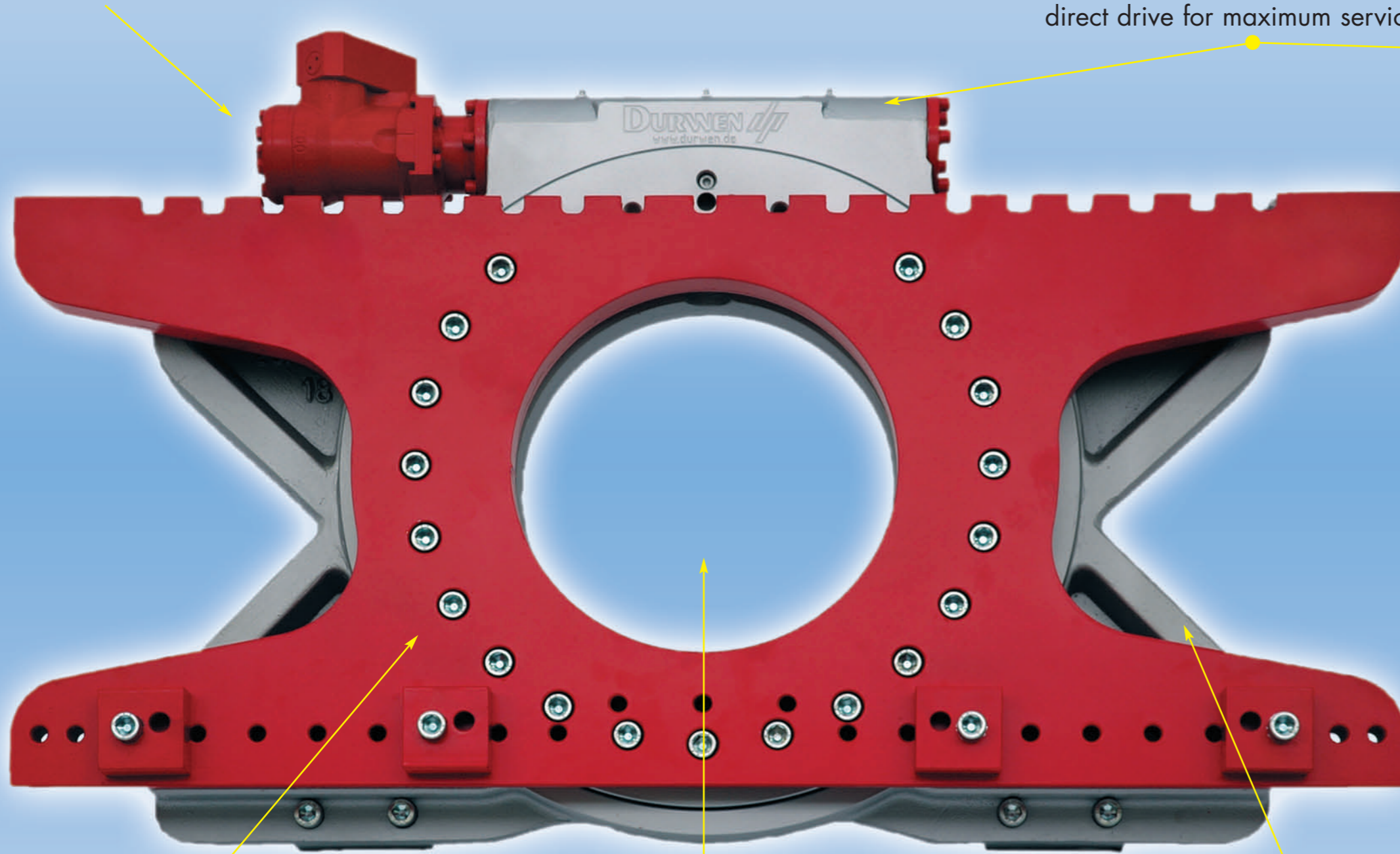
Durwen rotators can be installed on any kind of forklift truck or telehandler. With a rotator you can empty containers or boxes to the side of your forklift truck.

high grade motor with safety valve

## OUR EXPERIENCE - YOUR ADVANTAGE

Due to its durable and reliable design the Durwen rotators are found in all kind of industrial heavy duty use. ISO/FEM reinforced hook-on forks or bolt-on forks are available, just ask.

direct drive for maximum service life



bolted ISO face plate

excellent visibility

stable cast steel frame

**DURWEN**   
Forklift Attachments  
*More than 60 years experience*

- Durwen provides special designs for foundry work and the fishing and food industries.
- The Durwen design is ideal for a long service life and requires very little maintenance.

- The rotators available with ISO / FEM mounting as standard as well as special mountings or integral design.
- The small lost load centre allows for high residual capacities.

- The 360° rotation can be controlled very accurately to give precise rotational movement.
- The Durwen rotators are made in a modern factory process using highly precise CNC machine tooling, quality materials and components.