

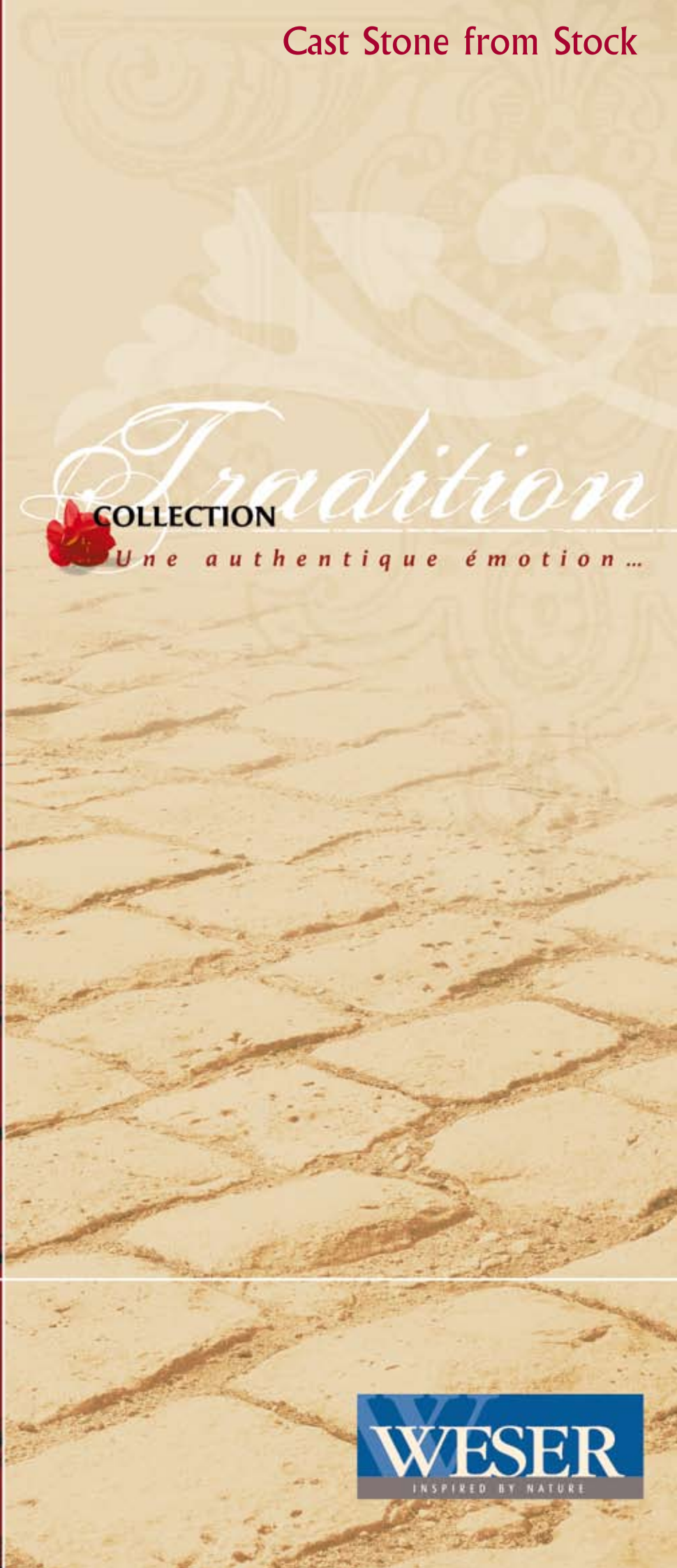
Cast Stone from Stock

*Tradition*  
COLLECTION

Balustrades ● Pool copings ● Paving ● Walling ● Architectural Masonry



*Tradition*  
COLLECTION  
*Une authentique émotion...*



**WESER**  
INSPIRED BY NATURE



# Edito

## Un art de Vivre...

*The Weser Collection Tradition is a beautiful range of STOCK cast stone products available for "off-the-Shelf" delivery from our base in Staffordshire.*

*Imagine transforming your garden into an oasis of warm Mediterranean colours, vibrant shapes and rustic textures using our balustrade & paving or creating your very own dream self-build property enlivened with our cills, heads, quoins and columns. The possibilities are endless.*

*By browsing this brochure you will re-discover the possibilities of stonework that brings charm and sophistication in a subtle and refined approach, an authentic emotion with the potential to create "un art de vivre".*





*Atlantic Balustrade* ..... p. 3-4

*Paving & Cobbles* ..... p. 5-6

*Pool copings & Paving* ..... p. 7-8

*Pillars, Pier Caps & Walling Copings* ..... p. 9-10

*Cills & Chamfered Quoins* ..... p. 11-12

*Heads, Keystones & Columns* ..... p. 13-14

*Corbels, Gable Vents, String & Bullseyes* .p. 15-16

*Laying instructions* ..... p. 17-18





# Atlantic Balustrade

*Atlantic Balustrades provide a majestic solution that will bring classical styling to your patio and garden.*

*Five elegant designs are available in Bathstone and Portland stone colours.*

*The ingenious modular design of this beautiful balustrade facilitates easy assembly and enables any experienced DIY enthusiast to install them.*



• *Royan baluster in Bathstone colour*



**Atlantic balustrades**

- Royan baluster 590mm x 160 x 160
- Soulac baluster 730mm x 160 x 160
- Arcachon baluster 360mm x 140 x 140
  
- Atlantic coping/plinth 80mm x 495 x 245
- Flat top pillar cap 80mm x 325 x 325
- Pilar block 167mm x 250 x 250
- Stair cube 200mm x 160 x 160
- Fixings dowels -
- Jointing Mix  
Weser-Mix JM 15kg





# Bergerac paving

*The soft texture and warm Champagne shades of Bergerac paving is reminiscent of weathered French limestone.*

*A detailed frieze border is available to frame the terrace area and also create sections within the patio itself.*

- Bergerac paving in Champagne colour



## Bergerac paving

- Size : 495 x 495mm
- Thickness : 35mm

## Frise Bergerac

- Straight element : 495 Long x 185mm
- Corners : 185 x 185mm

## Bergerac pool copings

- Straight element : 495 Long x 310 mm
- Internal corner element : 495 x 495mm
- Internal radius R1500 : 480 x 310mm
- Roman end starters : 400 x 400mm



# Chinon paving

With its antique cobble appearance, Chinon brings a charming traditional paving effect within reach of the DIY enthusiast. Chinon is supplied in strips of 6 cobbles and provides an easy way to create cobbled paving without the need to align each individual stone.



- Chinon paving in Champagne colour



## Chinon cobble paving

- Strip dimensions : 1020 x 120 x 20mm

Chinon paving is sold in strips of 6 cobbles covering 0.13 sq.m including 10mm joints.





# Pool Copings and Paving

With their non-slip textures and golden Mediterranean colours, the Weser range of pool copings bring a stylish surround to any swimming pool.

The attractive matching non-slip paving enables landscapers to create stunning pool surrounds that are both safe and spectacular.

- Aquitaine pool copings



- Deco pool copings



- Perigord pool copings



- Aquitaine pool paving



- Sennen pool copings (wet-cast)



- Colours : Bathstone  
Portland
- Sennen : Smooth White only



● **Aquitaine pool copings**

	Size (mm)
Straights 500mm Long	500 x 330
Internal corners	500 x 500 x 330
External corners	330 x 330
Internal radius R610	480 x 330
Internal radius R1220	470 x 330
Internal radius R1500	490 x 330
Internal radius R2000	500 x 330
Internal radius R2500	500 x 330
External radius R610	480 x 330
Roman end starters	400 x 400

● **Deco pool copings**

Straights 500mm Long	500 x 290
Internal corners	430 x 430 x 290
Internal radius R1500	480 x 290
Roman end starters	330 x 330

● **Perigord pool copings**

Straights 500mm Long	500 x 225 x 40
Internal corners	400 x 400 x 225
Internal radius R1500	480 x 225
Roman end starters	265 x 265

● **Sennen pool copings**

Straights 500mm Long	500 x 305
Internal corners	500 x 500 x 305
Roman end starters	330 x 330
Internal radius R1500	400 x 305



● **Aquitaine paving**

Smooth paving 500 x 500mm      500 x 500 x 35 thick

Colour-matched jointing mortar  
Weser-Mix JL      25kg

# Chambord pillars



- Colour : White

*Reminiscent of antique French limestone, Weser Chambord pillars are produced in an off-white colour that has all the detail and indentations of a traditional stone product. Matching Tradition copings and Cheverny claddings present landscapers with a wealth of opportunities to recreate classic Mediterranean surroundings.*

## Chambord pillars

● Pillar complete*	400 x 400 x 1930
● Intermediate element	400 x 400 x 230
● Hight element	400 x 400 x 230
● Low element	400 x 400 x 230
● Cap	400 x 400 x 80
● Capital	580 x 580 x 130
● Base	450 x 450 x 340

\* Complete pillar includes 1 right or left plinth, 1 base element, 4 intermediate elements, 1 top element, 1 moulding and 1 cap.





# Pier caps



- Pier caps in Bathstone colour

Designed to suit square pillars, either a 1½ brick (328mm pillar) or 2 brick (440mm pillar), these elegant pier caps offer a convenient solution with ex.stock availability.

## Pier caps

- Maximum Dimensions : 420mm x 420 x 100/80  
570mm x 570 x 110/88

## Wall copings



- Colour : Bathstone

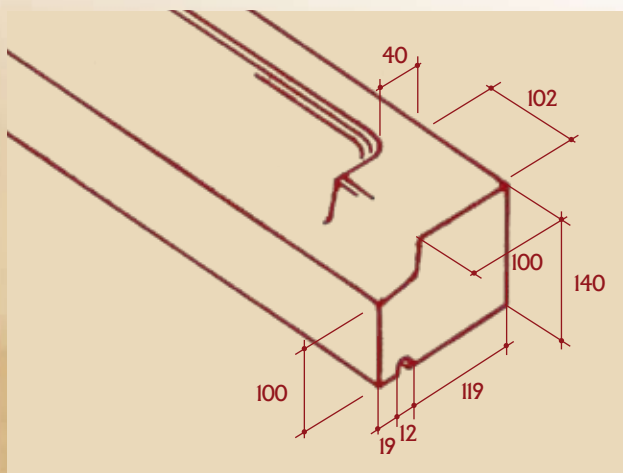
• Stock Copings	Length	Width	Depth
	490mm	180	49/40
	990mm	300	75/40
	490mm	450	62/40



# Cills

Available from stock, these traditional Cills in Bathstone colour come in a variety of lengths.

- Cills in Bathstone colour



• CillsOverall	Length	Opening Width
	693	488
	835	630
	1120	915
	1405	1200
	1547 *	1342
	1975 *	1770
	2545 *	2340

\* Units over 1405mm supplied in 2 pieces with 10mm joint





# Plain heads and Clip Keystones

These Plain Heads can be used on their own or together with the matching clip keystones. All heads are non-loadbearing and must be used in conjunction with a suitable supporting steel lintel.

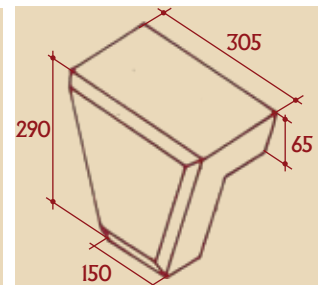
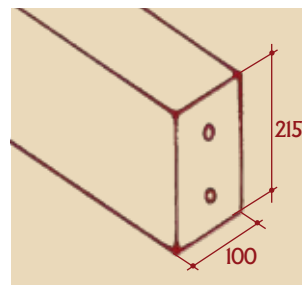


- Plain heads and Clip keystones in Bathstone colour



• Heads	Overall Length	Opening Width
	693	488
	835	630
	1120	915
	1405	1200
	1547 *	1342
	1975 *	1770
	2545 *	2340

\* Units over 1405mm supplied in 2 pieces with 10mm joint



# Chamfered Quoins

*These Bathstone coloured 3-course quoins add a traditional, imposing style to new developments. They are a stock item which facilitates short lead times.*

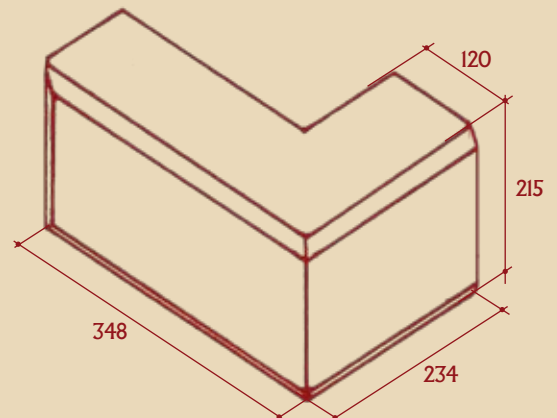


- Chamfered Quoins in Bathstone colour



## Chamfered Quoins

- Dimensions : 348/235 x 120 x 215 (20mm chamfer)



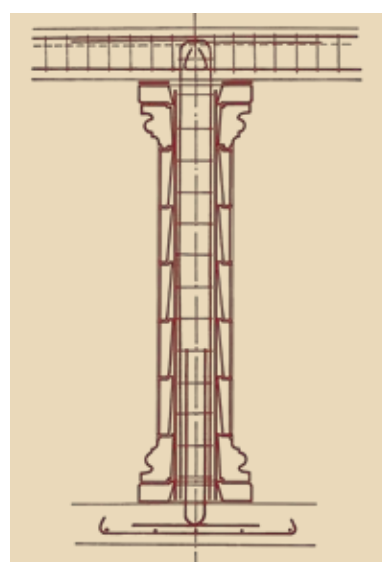


Une authentique émotion ...

# Columns



The Weser column is an ingenious modular element for both internal or external decorative use. Fluted and smooth shafts are available in either Bathstone or Portland colours and units can be used structurally when installed in accordance with Weser technical details.



Columns	350mm dia.	260 dia.
• Shaft element dia.	350 dia. x 250mm	260 dia. x 250mm
• Round base dia.	350 dia. x 200mm 500 dia. x 200mm	260 dia. x 170mm 380 dia. x 170mm
• Capital dia.	350 dia. x 200mm 500 dia. x 200mm	260 dia. x 170mm 380 dia. x 170mm
• Square base	520 x 520 x 85mm	400 x 400 x 80mm

Columns are available with a smooth finish or a fluted shaft.

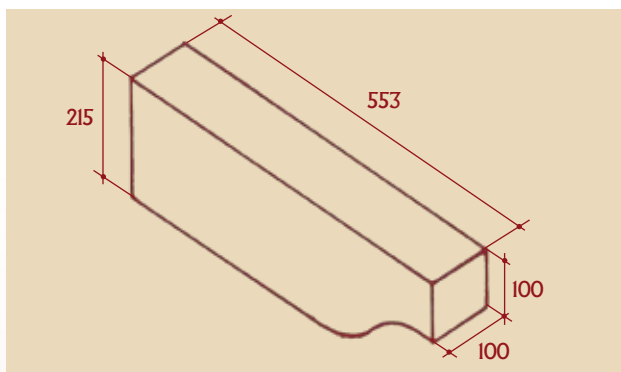
• Colours : Bathstone or Portland

# Corbels



- Corbel in Bathstone colour

Used together with our elegant Gable Vents, these 3-course corbels add an attractive detail to the gable of a property.



## Corbels

- Dimensions : 553 x 100 x 215mm

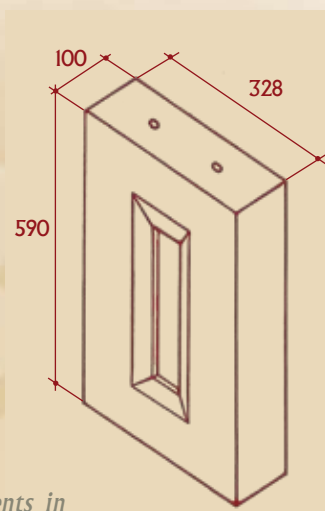


# Gable vent

Our stock Gable Vents insert detail into gable walls and help to add interest to large expanses of brickwork.

## Gable vents

- Dimensions : 590 x 328 x 100mm



- Gable vents in Bathstone colour

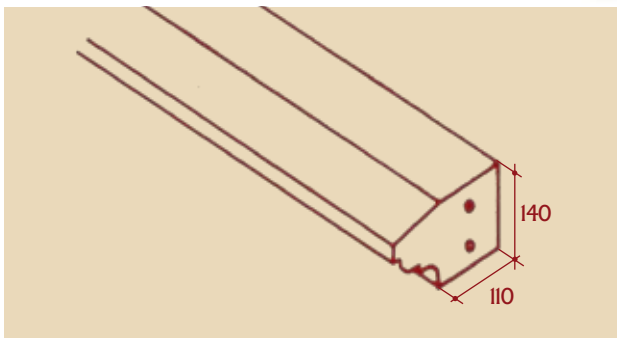


# String



2-course String Course available from stock in 665mm lengths in Bathstone colour.

- String in Bathstone colour



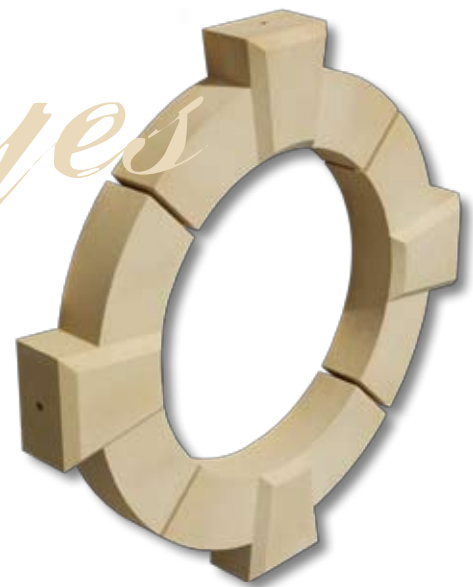
### String

- Dimensions : 665 x 180 x 140mm



# Bullseyes

Suitable for use as a focal point in a garage gable or as a feature window surround in a dwelling house, these attractive Bullseye surrounds have a chamfered detail to match our quoins and keystones.



### Bullseyes

- Internal dimensions : dia 610mm
- Supplied in 4 No. sections

## General information

For good results, we recommend that you mix stones from several pallets. As the paving and coping are made from natural materials, some slight colour variations are possible, depending on the batches of raw materials we receive.

The lime contained in hydraulic cement may under certain circumstances give rise to some efflorescence during hardening (usually whitish rings and marks of calcium carbonate and lime). This natural phenomenon fades or even disappears completely with time, especially in the presence of rainwater.

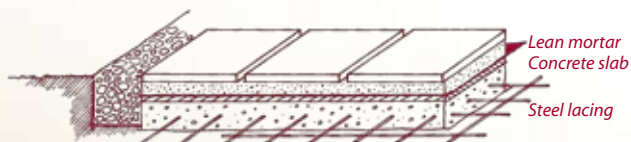
In all cases, any complaints concerning the aspect of any products must be made before the paving or pool copings are laid. Moreover, the guarantee is limited to the replacement of products found to be defective; it excludes all costs of removing or laying.

### Laying paving

There are several techniques for laying paving. To be in accordance with building regulations, however, paving must be laid on a concrete screed with lean mortar.

The ground must be cleared of topsoil, leveled and consolidated and drained if necessary before being compacted. If necessary, lay and compact crushed stone. Never lay paving on a recent or uncompacted backfill.

Pour a concrete screed 8 to 12 cm thick on firm ground, using 300 kg of cement per cu. m, with steel lacing reinforcement.



- The concrete screed must have a 1:100 to 1:50 slope to evacuate rainwater in the desired direction.
- Leave expansion joints between the slabs, and alongside the pool and all buildings.
- Wait until the screed has fully hardened before laying the paving.
- Lay Weser paving on at least 3 cm of lean mortar, using 250 kg of OPC cement per cu. m of 0/5 mm dry sand (do not use other types of cement or products containing lime). The mortar must be leveled with a straight-edge between reference points to give it a regular surface, and then sprinkled with fixing cement.
- Dampen slightly the underside of the paving before laying, but do not soak it. Work from the paving already laid.
- Tamp the paving into place with a wooden block. The paving must have a slope of 1:100 to 1:50 to evacuate rainwater.

### Laying pool copings

- Coping elements must be laid and fixed on an underlying base wide enough for stability.
- They must be laid on lean mortar sprinkled with fixing cement, like the paving.

### Joints

- We do not recommend laying paving to touch edge to edge.
- To be in accordance with technical recommendations, the paving should be laid with 10 mm joints filled with firm mortar. The best solution is to use Weser-Mix JL mortar available in Bathstone and Portland, giving joints a similar colour to the paving and the coping.
- The joints must be filled very carefully using a small trowel or cartridge gun, at least 24 hours after laying the paving. Never grout the joints. To avoid staining the paving, clean off any excess mortar with clean water and a sponge.

### Mortar

Available in 2 different colours, this ready-mixed jointing mortar includes all ingredients, except water, to effortlessly produce magnificent colour-matched joints.



Bathstone



Portland

Weser Mix-JM  
15 kgWeser Mix-JL  
25 kg



### Laying balustrades

The Atlantic balustrade system can either be used as a guardrail or simply for decorative purposes. However, it should be noted that where the product is used for guardrail purposes specific heights and baluster spacings must be adhered to in order to comply with current building regulations. For this particular case you must refer to the specific technical sheet.

For stability the balustrade must be laid on a solid base e.g. frost protected foundation or reinforced concrete terrace. In all cases, four 8mm dia. steel reinforcing bars must be securely anchored into the base and used to reinforce the pillars. For strength and stability, pillars must not be laid more than 3m apart.

For best results when jointing the components use Weser-Mix JM mortar which has been specially developed for laying balustrades. Usage is generally 5 kg per metre of balustrade length.

Lay the elements very carefully to avoid staining them. It is recommended that masking tape be used to protect edges from excess mortar during jointing. All elements such as balusters, copings and plinths are fixed together with a 5mm joint of Weser-Mix JM mortar. Do not remove the excess of mortar immediately. After the mortar has just become dry, scrape off the excess of mortar with the edge of a pointing trowel.



- Anchor the 8 mm dia. steel reinforcing bars into the foundation or floor slab.  
Lay the pillar blocks and fill them with concrete.  
Fix the pier cap on a thin layer of traditional mortar.
- Plinth must be laid on a layer of traditional mortar (minimum thickness 20mm).  
Cut the plinths to length using stone cutting discs. Allow 5mm joints between elements.  
(Fix pairs of dowels in the holes to the ends of these elements using Weser-Mix JM mortar).  
(Drill holes to piers and into ends of trimmed coping/plinths as necessary).  
Press a layer of Weser-Mix mortar between the elements to obtain a 5mm joint.
- Arrange balusters on plinths at correct spacing (see drawing) and bed them on 5mm Weser-Mix mortar.
- Lay copings on top of the balusters, again on 5 mm of Weser-Mix mortar. Fix dowels (again in pairs) at the ends of these elements. Drill holes where necessary, in particular to the piers in order to connect copings to the piers. Furthermore, any copings trimmed to length must have dowel holes re-drilled to provide continuity of the fixing detail.

### Cleaning and protection

Weser have developed and tested a range of products to clean and protect paving. For further details, please consult the technical instructions of each product. Just like natural stone, paving and pool copings made of reconstructed stone need to be cleaned regularly to keep their original appearance. However, as they are made with natural materials, some weathering is normal with time.

Our products are mass-treated with water-repellent, so they are frost protected. To avoid subsequent weathering, we recommend the use of Weser-Pro HY to protect the balustrades



Weser PRO-HY  
5 litres



*Tradition*  
**COLLECTION**  
*Une authentique émotion...*

UK distributor :  
**Addstone (UK) Limited**  
Tel : 01785 878 402  
www.addstone.co.uk  
sales@addstone.co.uk

**WESER S.A.**  
F. 37130 Mazières-de-Touraine  
Tél. +33 247 962 323  
Fax +33 247 964 469  
Internet : www.weser.fr

