

ORDERING INFORMATION

FH 3406 K E 28 -21 P W

CONNECTOR SERIES

FC = FLIGHT STANDARD CONNECTOR SERIES

FH = PLUG WITH "HERCULOC" SELF LOCKING COUPLING NUT

STYLE

- 3400 = RECEPTACLE
- 3406 = PLUG
- 3408 = PLUG, RIGHT ANGLE
- 0 = RECEPTACLE WITH GROMMET COMPRESSION FERRULE
- 6 = PLUG WITH GROMMET COMPRESSION FERRULE

CLASS

- K = FIREWALL
- R = ENVIRONMENT RESISTANT WITH GROMMET SEAL
- D = SAME AS CLASS "R" EXCEPT WITH HI TEMP SEALING

BACKSHELL ACCESSORIES

NOTE

STANDARD CONNECTORS ARE SUPPLIED LESS BACKSHELL ACCESSORIES.

- A = CONDUIT ADAPTER (ALUM.)
- E = CABLE CLAMP - STRAIGHT (ALUM.)
- G = GROMMET NUT (ALUM.)
- L = 90° ENDBELL (WITH CABLE CLAMP)
- T = CONDUIT ADAPTER (steel)

MODIFICATIONS

- 1 CONNECTOR WITH 2 NO. 16 ALUMEL AND 2 NO. 16 CHROMEL CONTACTS (BALANCE, INCLUDING SPARES TO BE NO. 16-16)
 - 4 RECEPTACLES WITH NUTPLATES FOR REAR PANEL MOUNTING
 - 8 CONNECTOR WITH NO. 16-20 TYPE CONTACTS
 - 11 CONNECTOR LESS CONTACTS
- CONSULT FACTORY FOR OTHER MODIFICATIONS

ALTERNATE INSERT POS. W, X, Y, & Z (NORMAL-NONE)

CONTACT STYLE

- P = PIN
- S = SOCKET

INSERT CONTACT ARRANGEMENT

CONTACT ARRANGEMENTS CONFORM TO MS33680 THRU MS33690

BARREL SIZES

CONFORM TO MIL-C-005015E

COMMERCIAL

THIS CATALOG CONTAINS THE MOST POPULAR AND WIDELY USED CONNECTOR TYPES AND ACCESSORIES. FLIGHT CONNECTOR WELCOMES YOUR INQUIRIES FOR OTHER CONNECTOR TYPES, ACCESSORIES, MODIFICATIONS OR SPECIAL CONNECTOR REQUIREMENTS. YOUR INQUIRIES WILL RECEIVE OUR IMMEDIATE ATTENTION AND RESPONSE.

ALL CONNECTORS MAY BE ORDERED BY CALLING OR WRITING THE FACTORY.

ORDERING INFORMATION

FZ SERIES CONNECTORS FOR USE ON DC-8, DC-9 & DC-10

COMMERCIAL

FZH 6 K E 28 -21 P W

CONNECTOR SERIES

FZC= FLIGHT STANDARD
CONNECTOR SERIES

FZH= PLUG WITH
"HERCULOC"
SELF LOCKING
COUPLING NUT

STYLE

- 0 = RECEPTACLE WITH GROMMET
COMPRESSION FERRULE
- 6 = PLUG WITH GROMMET
COMPRESSION FERRULE

CLASS

K = FIREWALL-WITH GROMMET SEAL AND
STEEL HARDWARE

D = ENVIRONMENT RESISTANT WITH
GROMMET SEAL AND ALUMINUM
HARDWARE

NOTE: BOTH K & D CONNECTORS HAVE
SILICONE RUBBER GROMMETS
AND INTERFACIAL SEALS

BACKSHELL ACCESSORIES

NOTE

STANDARD CONNECTORS
ARE SUPPLIED LESS
BACKSHELL ACCESSORIES.

A = CONDUIT ADAPTER (ALUM.)

E = CABLE CLAMP - STRAIGHT (ALUM.)

G = GROMMET NUT (ALUM.)

L = 90° ENDBELL
(WITH CABLE CLAMP)

T = CONDUIT ADAPTER (steel)

MODIFICATIONS

- 1 CONNECTOR WITH
2 NO. 16 ALUMEL AND 2
NO. 16 CHROMEL CONTACTS
(BALANCE, INCLUDING
SPARES TO BE NO. 16-16 STANDARD)
- 3 CONNECTOR LESS CONTACTS
- 4 RECEPTACLES WITH
NUTPLATES FOR REAR
PANEL MOUNTING
- 8 CONNECTOR WITH
NO. 16-20 TYPE
CONTACTS

CONSULT FACTORY FOR
OTHER MODIFICATIONS

ALTERNATE INSERT POS.
W, X, Y, & Z (NORMAL-NONE)

CONTACT STYLE

- P = PIN
- S = SOCKET

**INSERT CONTACT
ARRANGEMENT**

CONTACT ARRANGEMENTS CONFORM
TO MS33680 THRU MS33690

BARREL SIZES

CONFORM TO MIL-C-005015E

FINISH: FZ Series - Clear Cadmium Plate

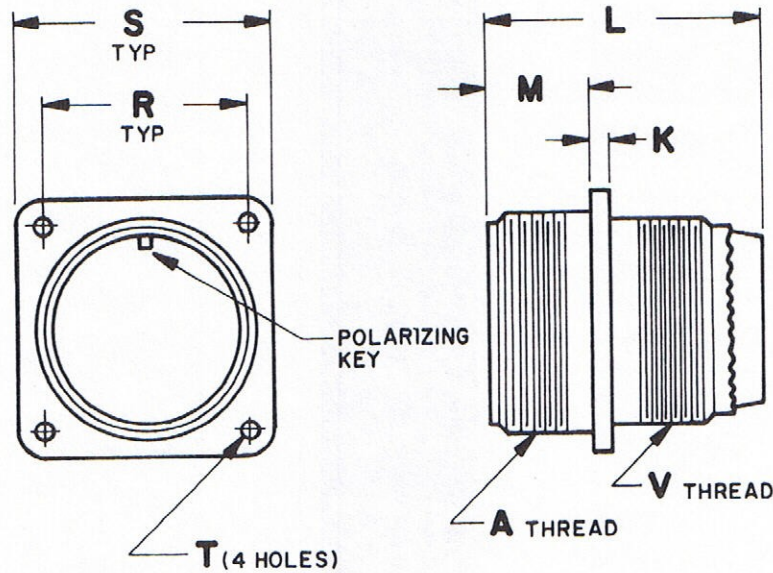
FZ SERIES CONNECTORS
FOR USE ON DC-8, DC-9 & DC-10

DIMENSIONS

FZ SERIES PART NUMBER	ORIGINAL DC-10 PART NUMBER	DIMENSIONS SAME AS FLIGHT PART NUMBER	FOR DIMENSIONS SEE PAGE
FZC0K	FC0K	FC3400KG	45
FZC0KA	FC0KA	FC3400KT	48
FZC0KE	FC0KE	FC3400KE	46
FZC0KL	FC0KL	FC3400KL	47
FZC0KT	FC0KT	FC3400KT	48
FZC6K	FC6K	FC3406KG	50
FZC6KA	FC6KA	FC3406KT	53
FZC6KE	FC6KE	FC3406KE	51
FZC6KL	FC6KL	FC3406KL	52
FZC6KT	FC6KT	FC3406KT	53
FZH6K	FH6K	FH3406KG	50 & 54
FZH6KA	FH6KA	FH3406KT	53 & 54
FZH6KE	FH6KE	FH3406KE	51 & 54
FZH6KL	FH6KL	FH3406KL	52 & 54
FZH6KT	FH6KT	FH3406KT	53 & 54
FZH8KE	FH8KE	FH3406KL	52 & 54
FZC0D	FC0D	FC3400RG	56
FZC0DA	FC0DA	FC3400RA	59
FZC0DE	FC0DE	FC3400RE	57
FZC0DL	FC0DL	FC3400RL	58
FZC6D	FC6D	FC3406RG	61
FZC6DA	FC6DA	FC3406RA	64
FZC6DE	FC6DE	FC3406RE	62
FZC6DL	FC6DL	FC3406RL	63
FZC8DE	FC8DE	FC3406RL	63
FZH6D	FH6D	FH3406RG	61 & 65
FZH6DA	FH6DA	FH3406RA	64 & 65
FZH6DE	FH6DE	FH3406RE	62 & 65
FZH6DL	FH6DL	FH3406RL	63 & 65

COMMERCIAL

NOTE: FZ SERIES CONNECTORS ARE COMPLETELY INTERCHANGEABLE AND INTERMATEABLE WITH ALL EXISTING MIL-C-5015 CONNECTORS NOW IN USE ON DC-8, DC-9 AND DC-10 SERIES AIRCRAFT.



COMMERCIAL

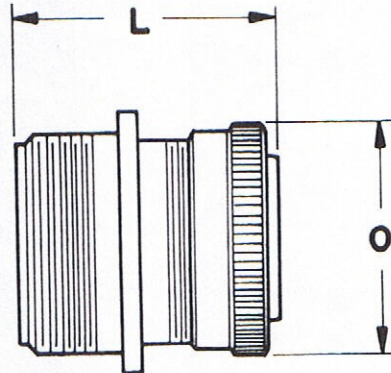
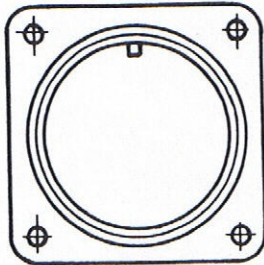
ORDER NUMBER BY SHELL SIZE	A COUPLING THD	K		L MAX	M +.031 -.000	R T.P. ¢ — ¢	S ± .031	T +.010 -.005	V ACCESSORY THD
		MAX	MIN						
FC3400K8S—*	$\frac{1}{2}$ —28 UNEF	.098	.068	2.031	.562	.594	.875	.150	$\frac{3}{8}$ —32 UNEF
10S—	$\frac{5}{8}$ —24			2.031	.562	.719	1.000		$\frac{1}{2}$ —28
10SL—	$\frac{5}{8}$ —24			2.031	.562	.719	1.000		$\frac{5}{8}$ —24
12S—	$\frac{3}{4}$ —20			2.031	.562	.812	1.094		$\frac{5}{8}$ —24
12—	$\frac{3}{4}$ —20			2.125	.750	.812	1.094		$\frac{5}{8}$ —24
14S—	$\frac{7}{8}$ —20			2.031	.562	.906	1.188		$\frac{3}{4}$ —20
14—	$\frac{7}{8}$ —20			2.125	.750	.906	1.188		$\frac{3}{4}$ —20
16S—	1—20			2.031	.562	.969	1.281		$\frac{7}{8}$ —20
16—	1—20			2.125	.750	.969	1.281	.150	$\frac{7}{8}$ —20
18—	$1\frac{1}{8}$ —18	.098	.068		.750	1.062	1.375	.177	1—20
20—	$1\frac{1}{4}$ —18	.125	.078		.750	1.156	1.500		$1\frac{1}{8}$ —18
22—	$1\frac{3}{8}$ —18				.750	1.250	1.625		$1\frac{1}{4}$ —18
24—	$1\frac{1}{2}$ —18 UNEF				.812	1.375	1.750		$1\frac{3}{8}$ —18
28—	$1\frac{3}{4}$ —18 UNS				.812	1.562	2.000	.177	$1\frac{5}{8}$ —18 UNEF
32—	2—18 UNS	.125	.078		.875	1.750	2.250	.209	$1\frac{7}{8}$ —16 UN
36—	$2\frac{1}{4}$ —16 UN	.140	.125		.875	1.938	2.500	.209	$2\frac{1}{8}$ —16 UN
FC3400K40—*	$2\frac{1}{2}$ —16 UN	.140	.125	2.125	.875	2.188	2.750	.209	$2\frac{3}{8}$ —16 UN

NOTE

1. For connectors with size 8, 4 or 0 contacts, add .325 to given overall length.

FIREWALL RECEPTACLE WITH GROMMET NUT

FC3400KG



ORDER NUMBER BY SHELL SIZE	L MAX	O MAX
FC3400KG8S — *	2.031	.625
10S —	2.031	.687
10SL —	2.031	.812
12S —	2.031	.812
12 —	2.125	.812
14S —	2.031	.937
14 —	2.125	.937
16S —	2.031	1.062
16 —	2.125	1.062
18 —		1.187
20 —		1.312
22 —		1.437
24 —		1.562
28 —		1.812
32 —		2.062
36 —		2.312
FC3400KG 40 — *	2.125	2.562

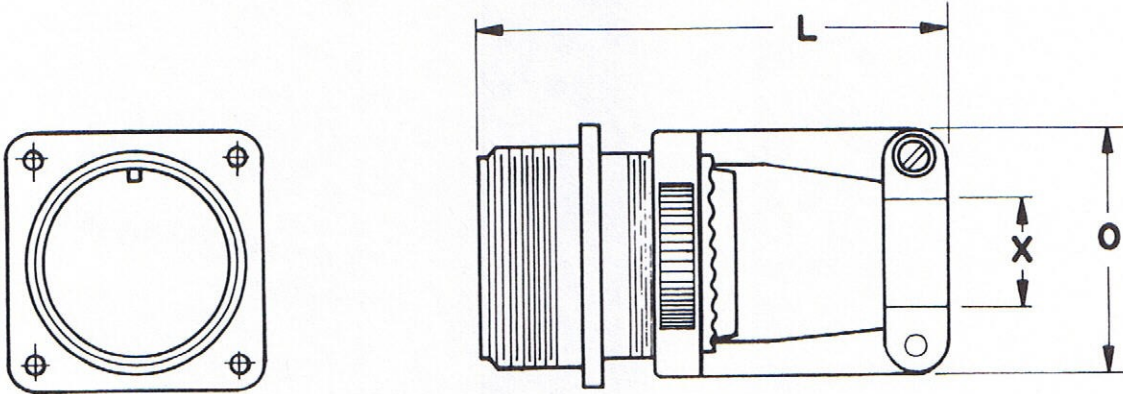
NOTES

1. For connectors with size 8, 4 or 0 contacts, add .325 to given overall length.
2. See page 44 for dimensions not shown.

COMMERCIAL

FC3400KE

FIREWALL RECEPTACLE
WITH CABLE CLAMP



COMMERCIAL

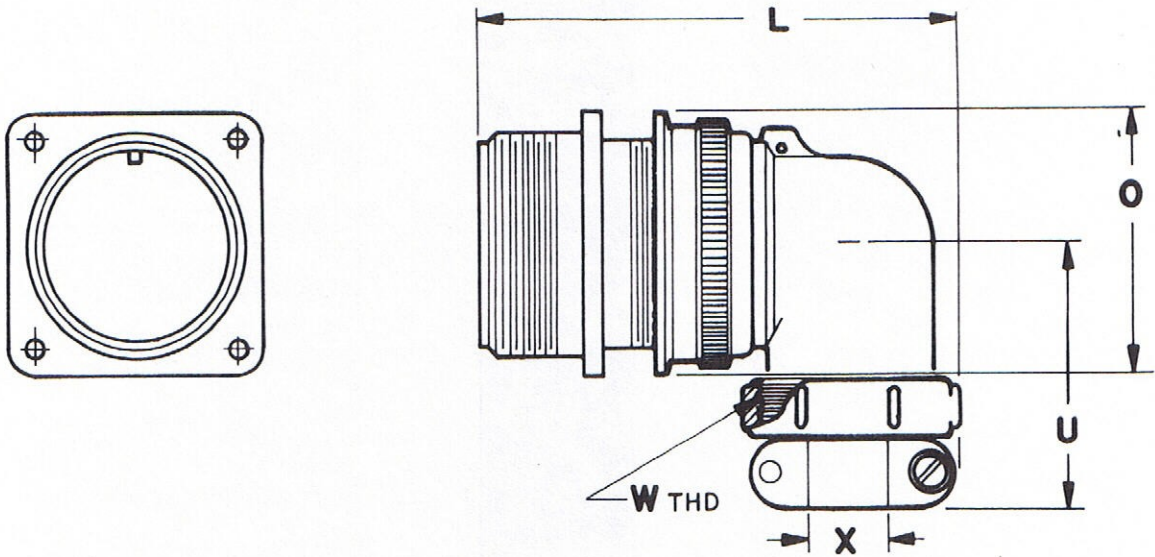
ORDER NUMBER BY SHELL SIZE	L MAX	O MAX	X MAX DIA CABLE
FC3400KE10SL-*	2.894	.906	.312
12S —	2.894	.906	.312
12 —	3.073	.906	.312
14S —	3.058	1.093	.438
14 —	3.173	1.093	.438
16S —	3.373	1.187	.562
16 —	3.452	1.187	.562
18 —	3.452	1.281	.625
20 —	3.524	1.500	.750
22 —	3.524	1.594	.750
24 —	3.869	1.719	.937
28 —	3.869	2.015	1.187
32 —	4.384	2.270	1.250
FC3400KE 36 — *	4.634	2.500	1.375

NOTES

1. For connectors with size 8, 4 or 0 contacts, add .325 to given overall length.
2. See page 44 for dimensions not shown.

FIREWALL RECEPTACLE WITH 90° CABLE CLAMP

FC3400KL



ORDER NUMBER BY SHELL SIZE	L MAX	O MAX	U MAX	W ACCESSORY THD	X MAX DIA CABLE
FC3400KL8S —*	3.324	.844	2.175	$\frac{1}{2}$ — 28 UNEF	.250
10S —	3.324	.969	2.219	$\frac{1}{2}$ — 28	.250
10SL —	3.573	.969	2.281	$\frac{5}{8}$ — 24	.312
12S —	3.573	1.062	2.281	$\frac{5}{8}$ — 24	.312
12 —	3.652	1.062	2.281	$\frac{5}{8}$ — 24	.312
14S —	3.830	1.156	2.344	$\frac{3}{4}$ — 20	.438
14 —	3.909	1.156	2.344	$\frac{3}{4}$ — 20	.438
16S —	4.064	1.250	2.403	$\frac{7}{8}$ — 20	.562
16 —	4.143	1.250	2.403	$\frac{7}{8}$ — 20	.562
18 —	4.307	1.344	2.593	1 — 20	.625
20 —	4.588	1.469	2.656	$1\frac{3}{16}$ — 18	.750
22 —	4.588	1.594	2.656	$1\frac{3}{16}$ — 18	.750
24 —	4.973	1.719	2.968	$1\frac{7}{16}$ — 18	.938
28 —	4.937	1.969	2.968	$1\frac{7}{16}$ — 18 UNEF	.938
32 —	5.347	2.219	3.531	$1\frac{3}{4}$ — 18 UNS	1.250
36 —	5.534	2.469	3.968	2 — 18 UNS	1.375
FC3400KL40 —*	5.926	2.719	4.031	$2\frac{1}{4}$ — 16 UN	1.625

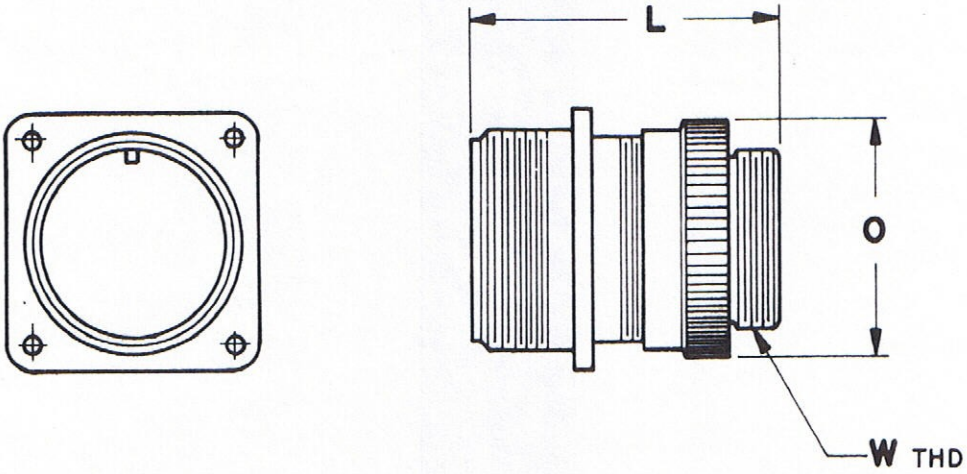
NOTES

- 1 For connectors with size 8, 4 or 0 contacts, add .325 to given overall length
- 2 See page 44 for dimensions not shown

COMMERCIAL

FC3400KT

FIREWALL RECEPTACLE WITH CONDUIT ADAPTER



ORDER NUMBER BY SHELL SIZE	L MAX	O MAX	W ACCESSORY THD
FC3400KT10SL-*	2.437	.812	$\frac{5}{8}$ — 24 NEF
12S —	2.437	.812	$\frac{5}{8}$ — 24 NEF
12 —	2.515	.812	$\frac{5}{8}$ — 24 NEF
14S —	2.437	.937	$\frac{3}{4}$ — 20 UNEF
14 —	2.515	.937	$\frac{3}{4}$ — 20
16S —	2.437	1.062	$\frac{7}{8}$ — 20
16 —	2.515	1.062	$\frac{7}{8}$ — 20
18 —	2.515	1.187	1 — 20 UNEF
20 —	2.562	1.312	$1\frac{3}{16}$ — 18 NEF
22 —		1.437	$1\frac{3}{16}$ — 18 NEF
24 —		1.562	$1\frac{7}{16}$ — 18 NEF
28 —		1.812	$1\frac{7}{16}$ — 18 NEF
32 —		2.062	$1\frac{3}{4}$ — 18 NS
36 —		2.312	2 — 18 NS
FC3400KT 40-*	2.562	2.562	$2\frac{1}{4}$ — 16 UN

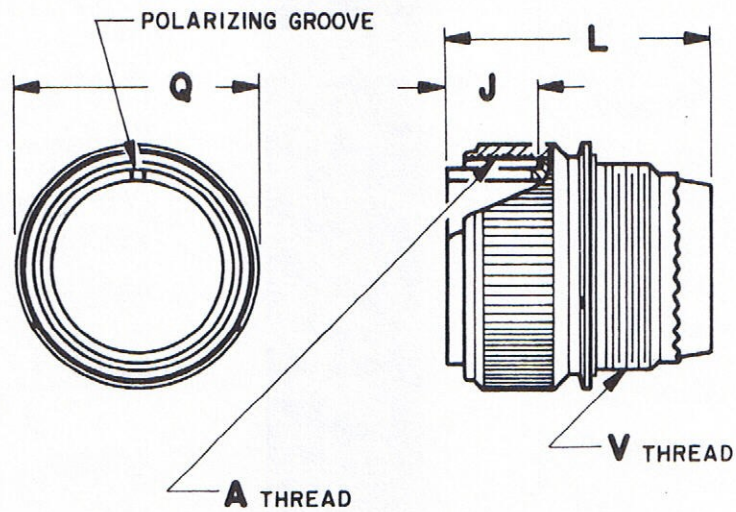
NOTES

1. For connectors with size 8, 4 or 0 contacts, add .325 to given overall length.
2. See page 44 for dimensions not shown.

COMMERCIAL

FIREWALL PLUG

FC3406K



ORDER NUMBER BY SHELL SIZE	A COUPLING THD	J ±.005	L MAX	Q MAX	V ACCESSORY THD
FC3406K 8S — *	$\frac{1}{2}$ - 28 UNEF	.531	2.031	.715	$\frac{3}{8}$ - 32 UNEF
10S —	$\frac{5}{8}$ - 24	.531	2.031	.871	$\frac{1}{2}$ - 28
10SL —	$\frac{5}{8}$ - 24	.531	2.031	.871	$\frac{5}{8}$ - 24
12S —	$\frac{3}{4}$ - 20	.531	2.031	1.092	$\frac{5}{8}$ - 24
12 —	$\frac{3}{4}$ - 20	.719	2.125	1.092	$\frac{5}{8}$ - 24
14S —	$\frac{7}{8}$ - 20	.531	2.031	1.164	$\frac{3}{4}$ - 20
14 —	$\frac{7}{8}$ - 20	.719	2.125	1.164	$\frac{3}{4}$ - 20
16S —	1 - 20	.531	2.031	1.309	$\frac{7}{8}$ - 20
16 —	1 - 20	.719	2.125	1.309	$\frac{7}{8}$ - 20
18 —	$1\frac{1}{8}$ - 18			1.453	1 - 20
20 —	$1\frac{1}{4}$ - 18			1.598	$1\frac{1}{8}$ - 18
22 —	$1\frac{3}{8}$ - 18			1.742	$1\frac{1}{4}$ - 18
24 —	$1\frac{1}{2}$ - 18 UNEF			1.886	$1\frac{3}{8}$ - 18
28 —	$1\frac{3}{4}$ - 18 UNS			2.175	$1\frac{5}{8}$ - 18 UNEF
32 —	2 - 18 UNS			2.464	$1\frac{7}{8}$ - 16 UN
36 —	$2\frac{1}{4}$ - 16 UN			2.752	$2\frac{1}{8}$ - 16 UN
FC3406K 40 — *	$2\frac{1}{2}$ - 16 UN	.719	2.125	2.846	$2\frac{3}{8}$ - 16 UN

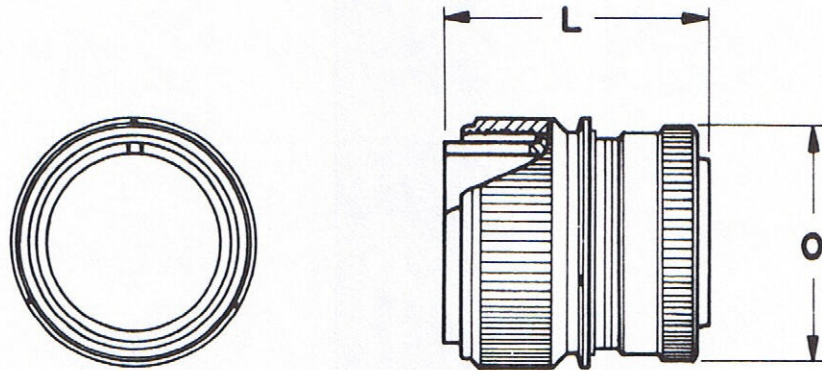
NOTE

1. For connectors with size 8, 4 or 0 contacts, add .325 to given overall length.

COMMERCIAL

FC3406KG

FIREWALL PLUG WITH GROMMET NUT



COMMERCIAL

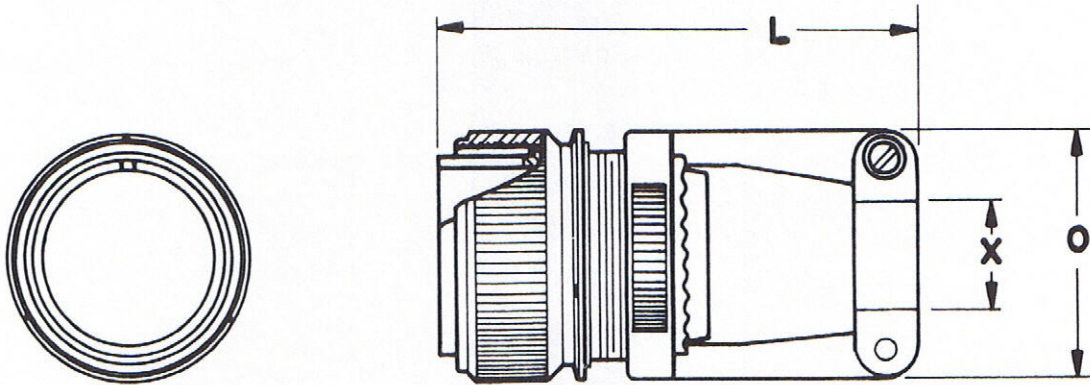
ORDER NUMBER BY SHELL SIZE	L MAX	O MAX
FC3406KG 8S — *	2.031	.625
10S —	2.031	.687
10SL —	2.031	.812
12S —	2.031	.812
12 —	2.125	.812
14S —	2.031	.937
14 —	2.125	.937
16S —	2.031	1.062
16 —	2.125	1.062
18 —		1.187
20 —		1.312
22 —		1.437
24 —		1.562
28 —		1.812
32 —		2.062
36 —		2.312
FC3406KG 40 — *	2.125	2.562

NOTES

1. For connectors with size 8, 4 or 0 contacts, add .325 to given overall length.
2. See page 49 for dimensions not shown.

FIREWALL PLUG WITH CABLE CLAMP

FC3406KE



ORDER NUMBER BY SHELL SIZE	L MAX	O MAX	X MAX DIA CABLE
FC3406KEIOSL-*	2.894	.906	.312
12S —	2.894	.906	.312
12 —	3.073	.906	.312
14S —	3.058	1.093	.438
14 —	3.173	1.093	.438
16S —	3.373	1.187	.562
16 —	3.452	1.187	.562
18 —	3.452	1.281	.625
20 —	3.524	1.500	.750
22 —	3.524	1.594	.750
24 —	3.869	1.719	.937
28 —	3.869	2.015	1.187
32 —	4.384	2.270	1.250
FC3406KE 36 —*	4.634	2.500	1.375

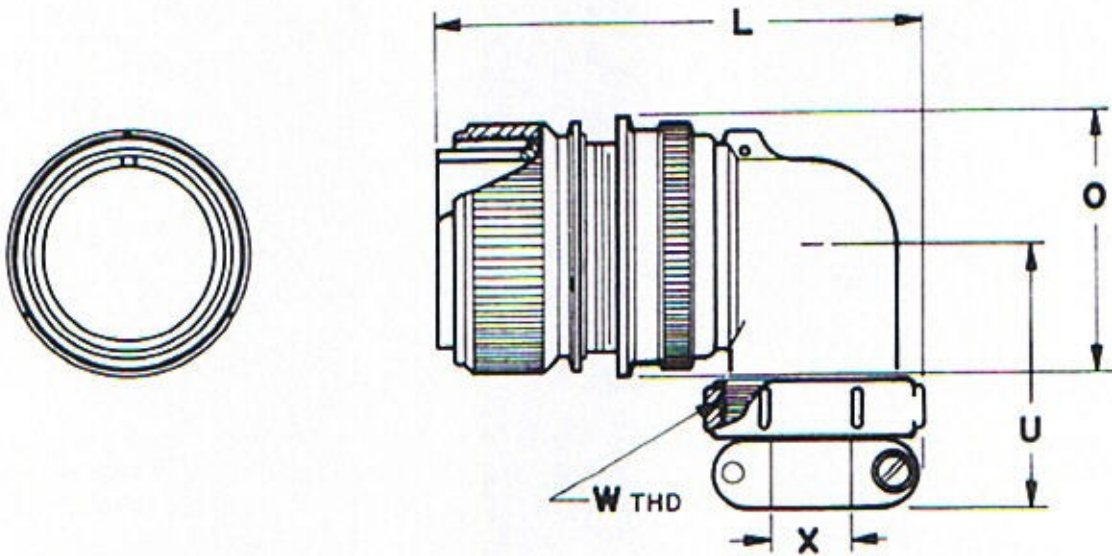
NOTES

1. For connectors with size 8, 4 or 0 contacts, add .325 to given overall length.
2. See page 49 for dimensions not shown.

COMMERCIAL

FC3406KL

FIREWALL PLUG
WITH 90° CABLE CLAMP



ORDER NUMBER BY SHELL SIZE	L MAX	O MAX	U MAX	W ACCESSORY THD	X MAX DIA CABLE
FC3406KL8S—*	3.324	.844	2.175	$\frac{1}{2}$ —28 UNEF	.250
10S—	3.324	.969	2.219	$\frac{1}{2}$ —28	.250
10SL—	3.573	.969	2.281	$\frac{5}{8}$ —24	.312
12S—	3.573	1.062	2.281	$\frac{5}{8}$ —24	.312
12—	3.652	1.062	2.281	$\frac{5}{8}$ —24	.312
14S—	3.830	1.156	2.344	$\frac{3}{4}$ —20	.438
14—	3.909	1.156	2.344	$\frac{3}{4}$ —20	.438
16S—	4.064	1.250	2.403	$\frac{7}{8}$ —20	.562
16—	4.143	1.250	2.403	$\frac{7}{8}$ —20	.562
18—	4.307	1.344	2.593	1—20	.625
20—	4.588	1.469	2.656	$1\frac{3}{16}$ —18	.750
22—	4.588	1.594	2.656	$1\frac{3}{16}$ —18	.750
24—	4.973	1.719	2.968	$1\frac{7}{16}$ —18	.938
28—	4.937	1.969	2.968	$1\frac{7}{16}$ —18 UNEF	.938
32—	5.347	2.219	3.531	$1\frac{3}{4}$ —18 UNS	1.250
36—	5.534	2.469	3.968	2—18 UNS	1.375
FC3406KL40—*	5.926	2.719	4.031	$2\frac{1}{4}$ —16 UN	1.625

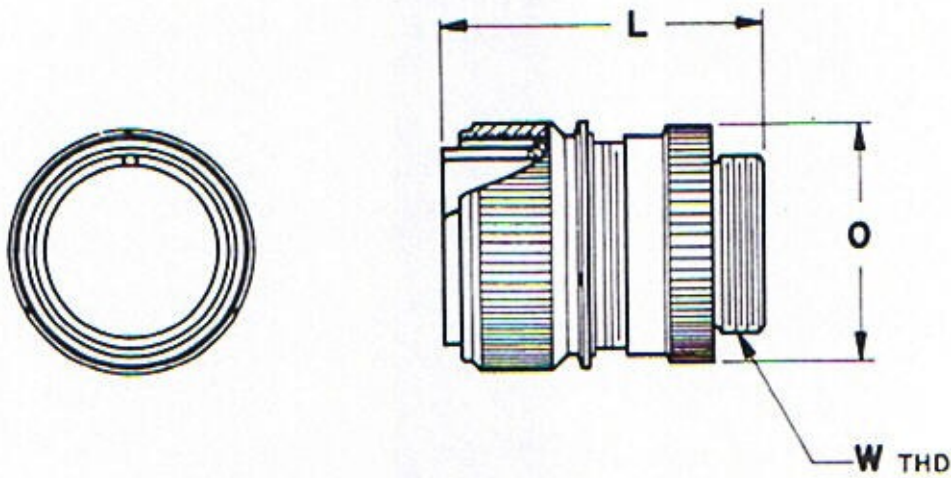
NOTES

1. For connectors with size 8, 4 or 0 contacts, add .325 to given overall length
2. See page 49 for dimensions not shown

COMMERCIAL

FIREWALL PLUG WITH CONDUIT ADAPTER

FC3406KT



ORDER NUMBER BY SHELL SIZE	L MAX	O MAX	W ACCESSORY THD
FC3406KTIOSL—*	2.437	.812	$\frac{5}{8}$ —24 NEF
12S—	2.437	.812	$\frac{5}{8}$ —24 NEF
12—	2.515	.812	$\frac{5}{8}$ —24 NEF
14S—	2.437	.937	$\frac{3}{4}$ —20 UNEF
14—	2.515	.937	$\frac{3}{4}$ —20
16S—	2.437	1.062	$\frac{7}{8}$ —20
16—	2.515	1.062	$\frac{7}{8}$ —20
18—	2.515	1.187	1—20 UNEF
20—	2.562	1.312	$1\frac{3}{16}$ —18 NEF
22—		1.437	$1\frac{3}{16}$ —18 NEF
24—		1.562	$1\frac{7}{16}$ —18 NEF
28—		1.812	$1\frac{7}{16}$ —18 NEF
32—		2.062	$1\frac{3}{4}$ —18 NS
36—		2.312	2—18 NS
FC3406KT40—*	2.562	2.562	$2\frac{1}{4}$ —16 UN

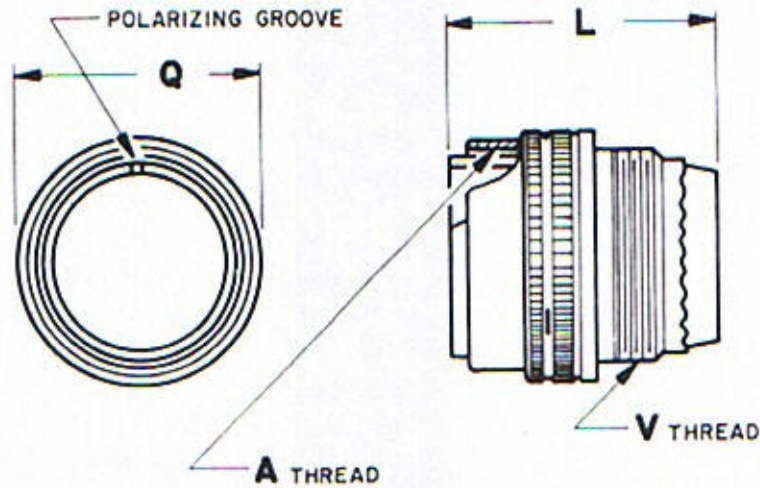
NOTES

1. For connectors with size 8, 4 or 0 contacts, add .325 to given overall length.
2. See page 49 for dimensions not shown.

COMMERCIAL

FH3406K

FIREWALL HERCULOC PLUG
SELF LOCKING CONNECTOR



NOTE: FOR REAR HARDWARE CONFIGURATIONS SEE FC3406K*

COMMERCIAL

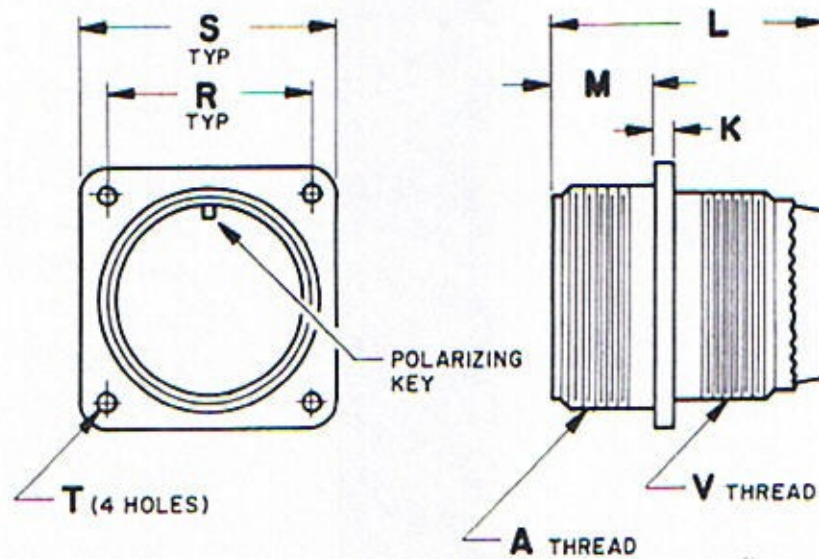
ORDER NUMBER BY SHELL SIZE	A COUPLING THD	L MAX	Q MAX	V ACCESSORY THD
FH3406K*8S-*				
10S-	$\frac{5}{8}$ -24 UNEF	2.031	.969	$\frac{1}{2}$ -28 UNEF
10SL-	$\frac{5}{8}$ -24	2.031	.969	$\frac{5}{8}$ -24
12S-	$\frac{3}{4}$ -20	2.031	.985	$\frac{5}{8}$ -24
12-	$\frac{3}{4}$ -20	2.125	.985	$\frac{5}{8}$ -24
14S-	$\frac{7}{8}$ -20	2.031	1.125	$\frac{3}{4}$ -20
14-	$\frac{7}{8}$ -20	2.125	1.125	$\frac{3}{4}$ -20
16S-	1-20	2.031	1.250	$\frac{7}{8}$ -20
16-	1-20	2.125	1.250	$\frac{7}{8}$ -20
18-	$1\frac{1}{8}$ -18		1.344	1-20
20-	$1\frac{1}{4}$ -18		1.469	$1\frac{1}{8}$ -18
22-	$1\frac{3}{8}$ -18		1.594	$1\frac{1}{4}$ -18
24-	$1\frac{1}{2}$ -18 UNEF		1.719	$1\frac{3}{8}$ -18
28-	$1\frac{3}{4}$ -18 UNS		1.969	$1\frac{1}{2}$ -18 UNEF
32-	2-18 UNS		2.219	$1\frac{7}{8}$ -16 UN
36-	$2\frac{1}{4}$ -16 UN	2.125	2.469	$2\frac{1}{8}$ -16 UN
FH3406K*40-*				

NOTE

1. For connectors with size 8, 4 or 0 contacts, add .325 to given overall length.

GENERAL PURPOSE RECEPTACLE

FC3400R



ORDER NUMBER BY SHELL SIZE	A COUPLING THD	K		L MAX	M + .031 - .000	R T.P. ± .001	S ± .031	T + .010 - .005	V ACCESSORY THD
		MAX	MIN						
FC3400R8S — *	1/2 — 28 UNEF	.098	.068	2.031	.562	.594	.875	.120	3/8 — 32 UNEF
10S —	5/16 — 24			2.031	.562	.719	1.000		1/2 — 28
10SL —	5/16 — 24			2.031	.562	.719	1.000		5/8 — 24
12S —	3/4 — 20			2.031	.562	.812	1.094		5/8 — 24
12 —	3/4 — 20			2.125	.750	.812	1.094		5/8 — 24
14S —	7/8 — 20			2.031	.562	.906	1.188		3/4 — 20
14 —	7/8 — 20			2.125	.750	.906	1.188		3/4 — 20
16S —	1 — 20			2.031	.562	.969	1.281		7/8 — 20
16 —	1 — 20	.098	.068	2.125	.750	.969	1.281		7/8 — 20
18 —	1 1/8 — 18	.140	.110		.750	1.062	1.375		1 — 20
20 —	1 1/4 — 18				.750	1.156	1.500		1 1/8 — 18
22 —	1 3/8 — 18				.750	1.250	1.625	.120	1 1/4 — 18
24 —	1 1/2 — 18 UNEF				.812	1.375	1.750	.147	1 3/8 — 18
28 —	1 3/4 — 18 UNS				.812	1.562	2.000	.147	1 5/8 — 18 UNEF
32 —	2 — 18 UNS				.875	1.750	2.250	.173	1 7/8 — 16 UN
36 —	2 1/4 — 16 UN				.875	1.938	2.500	.173	2 1/8 — 16 UN
FC3400R40 — *	2 1/2 — 16 UN	.140	.110	2.125	.875	2.188	2.750	.173	2 3/8 — 16 UN

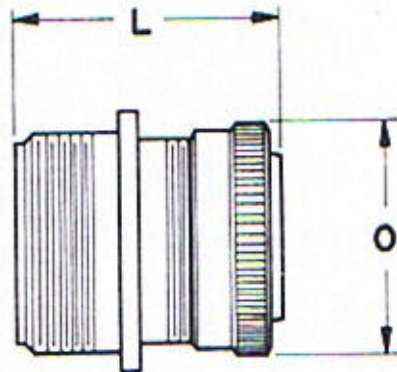
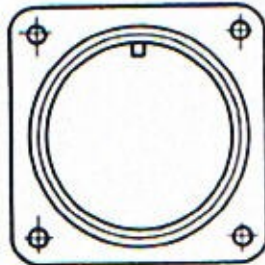
NOTE

1. For connectors with size 8, 4 or 0 contacts, add .325 to given overall length.

COMMERCIAL

FC3400RG

GENERAL PURPOSE RECEPTACLE
WITH GROMMET NUT



COMMERCIAL

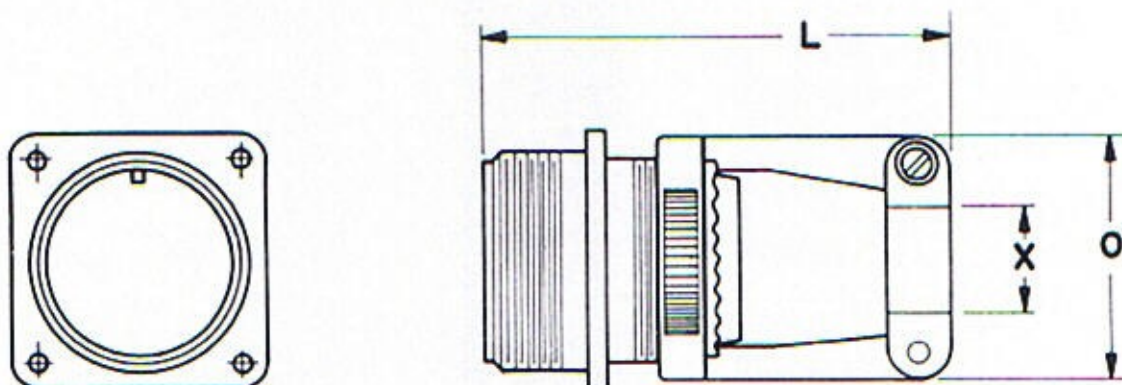
ORDER NUMBER BY SHELL SIZE	L MAX	O MAX
FC3400RG8S—*	2.031	.625
10S—	2.031	.687
10SL—	2.031	.812
12S—	2.031	.812
12—	2.125	.812
14S—	2.031	.937
14—	2.125	.937
16S—	2.031	1.062
16—	2.125	1.062
18—		1.187
20—		1.312
22—		1.437
24—		1.562
28—		1.812
32—		2.062
36—		2.312
FC3400RG 40—*	2.125	2.562

NOTES

1. For connectors with size 8, 4 or 0 contacts, add .325 to given overall length.
2. See page 55 for dimensions not shown.

GENERAL PURPOSE RECEPTACLE WITH CABLE CLAMP

FC3400RE



ORDER NUMBER BY SHELL SIZE	L MAX	O MAX	X MAX DIA CABLE
FC3400RE10SL-*	2.894	.906	.312
125-	2.894	.906	.312
12-	3.073	.906	.312
14S-	3.058	1.093	.438
14-	3.173	1.093	.438
16S-	3.373	1.187	.562
16-	3.452	1.187	.562
18-	3.452	1.281	.625
20-	3.524	1.500	.750
22-	3.524	1.594	.750
24-	3.869	1.719	.937
28-	3.869	2.015	1.187
32-	4.384	2.270	1.250
FC3400RE 36-*	4.634	2.500	1.375

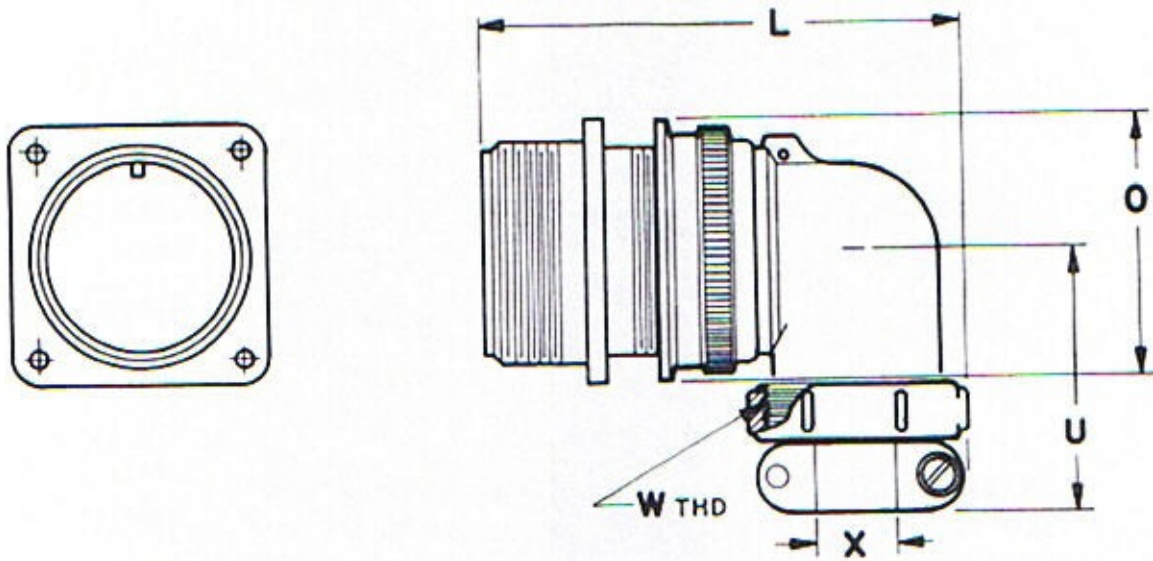
NOTES

1. For connectors with size B, 4 or 0 contacts, add .325 to given overall length.
2. See page 55 for dimensions not shown.

COMMERCIAL

FC3400RL

GENERAL PURPOSE RECEPTACLE
WITH 90° CABLE CLAMP



COMMERCIAL

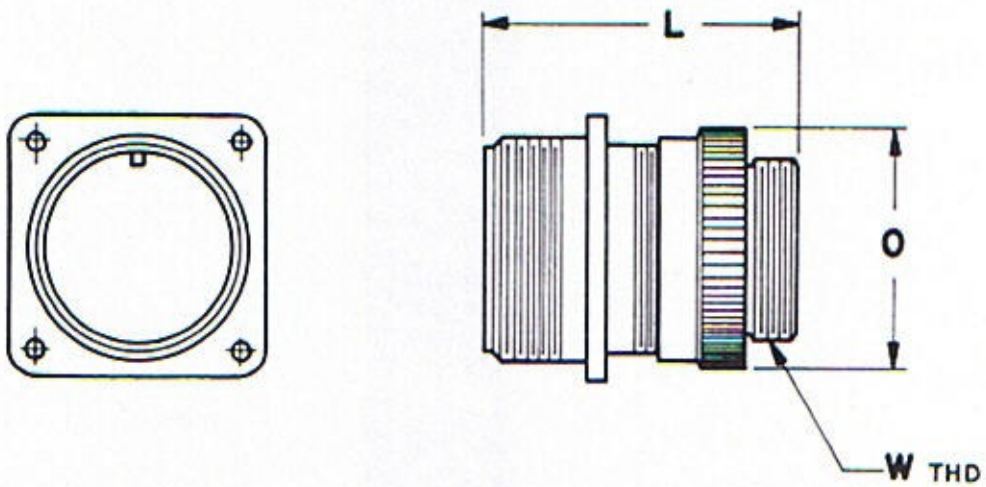
ORDER NUMBER BY SHELL SIZE	L MAX	O MAX	U MAX	W ACCESSORY THD	X MAX DIA CABLE
FC3400RL8S — *	3.324	.844	2.175	$\frac{1}{2}$ — 28 UNEF	.250
10S —	3.324	.969	2.219	$\frac{1}{2}$ — 28	.250
10SL —	3.573	.969	2.281	$\frac{5}{8}$ — 24	.312
12S —	3.573	1.062	2.281	$\frac{5}{8}$ — 24	.312
12 —	3.652	1.062	2.281	$\frac{5}{8}$ — 24	.312
14S —	3.830	1.156	2.344	$\frac{3}{4}$ — 20	.438
14 —	3.909	1.156	2.344	$\frac{3}{4}$ — 20	.438
16S —	4.064	1.250	2.403	$\frac{7}{8}$ — 20	.562
16 —	4.143	1.250	2.403	$\frac{7}{8}$ — 20	.562
18 —	4.307	1.344	2.593	1 — 20	.625
20 —	4.588	1.469	2.656	$1\frac{3}{16}$ — 18	.750
22 —	4.588	1.594	2.656	$1\frac{3}{16}$ — 18	.750
24 —	4.973	1.719	2.968	$1\frac{7}{16}$ — 18	.938
28 —	4.937	1.969	2.968	$1\frac{7}{16}$ — 18 UNEF	.938
32 —	5.347	2.219	3.531	$1\frac{3}{4}$ — 18 UNS	1.250
36 —	5.534	2.469	3.968	2 — 18 UNS	1.375
FC3400RL 40 — *	5.926	2.719	4.031	$2\frac{1}{4}$ — 16 UN	1.625

NOTES

1. For connectors with size 8, 4 or 0 contacts, add .325 to given overall length.
2. See page 55 for dimensions not shown.

GENERAL PURPOSE RECEPTACLE WITH CONDUIT ADAPTER

FC3400RA

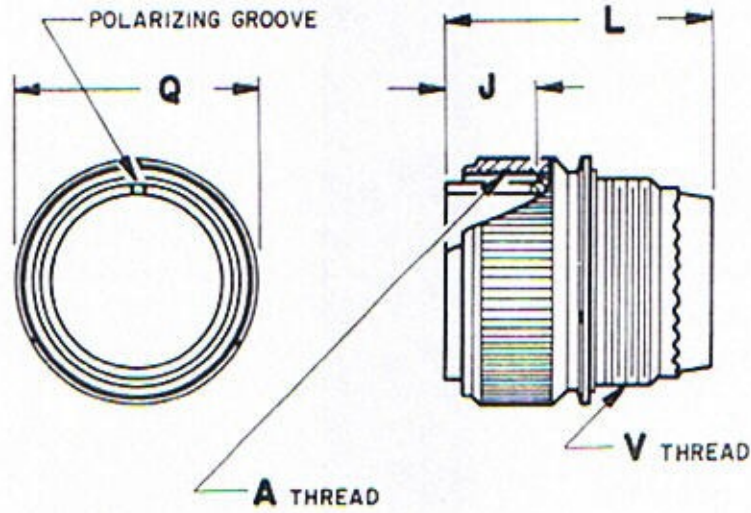


ORDER NUMBER BY SHELL SIZE	L MAX	O MAX	W ACCESSORY THD
FC3400RAIOSL-*	2.437	.812	5 — 24 NEF
12S —	2.437	.812	5 — 24 NEF
12 —	2.515	.812	5 — 24 NEF
14S —	2.437	.937	4 — 20 UNEF
14 —	2.515	.937	4 — 20
16S —	2.437	1.062	7 — 20
16 —	2.515	1.062	7 — 20
18 —	2.515	1.187	1 — 20 UNEF
20 —	2.562	1.312	3 — 18 NEF
22 —		1.437	3 — 18 NEF
24 —		1.562	7 — 18 NEF
28 —		1.812	7 — 18 NEF
32 —		2.062	3 — 18 NS
36 —		2.312	2 — 18 NS
FC3400RA40-*	2.562	2.562	1/4 — 16 UN

NOTES

1. For connectors with size 8, 4 or 0 contacts, add .325 to given overall length
2. See page 55 for dimensions not shown

COMMERCIAL



COMMERCIAL

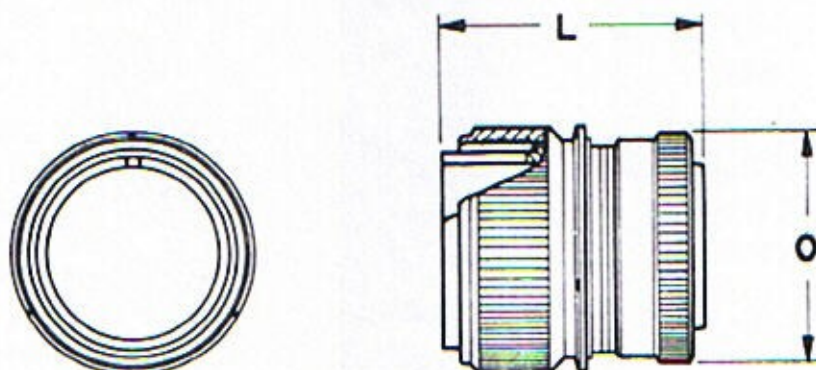
ORDER NUMBER BY SHELL SIZE	A COUPLING THD	J ±.005	L MAX	Q MAX	V ACCESSORY THD
FC3406R8S — *	1/2 — 28 UNEF	.531	2.031	.844	3/8 — 32 UNEF
ICS —	5/8 — 24	.531	2.031	.969	1/2 — 28
10SL —	5/8 — 24	.531	2.031	.969	5/8 — 24
12S —	3/4 — 20	.531	2.031	1.062	5/8 — 24
12 —	3/4 — 20	.719	2.125	1.062	5/8 — 24
14S —	7/8 — 20	.531	2.031	1.156	3/4 — 20
14 —	7/8 — 20	.719	2.125	1.156	3/4 — 20
16S —	1 — 20	.531	2.031	1.250	7/8 — 20
16 —	1 — 20	.719	2.125	1.250	7/8 — 20
18 —	1 1/8 — 18			1.344	1 — 20
20 —	1 1/4 — 18			1.469	1 1/8 — 18
22 —	1 3/8 — 18			1.594	1 1/4 — 18
24 —	1 1/2 — 18 UNEF			1.719	1 3/8 — 18
28 —	1 3/4 — 18 UNS			1.969	1 5/8 — 18 UNEF
32 —	2 — 18 UNS			2.219	1 7/8 — 16 UN
36 —	2 1/4 — 16 UN			2.469	2 1/8 — 16 UN
FC3406R40 — *	2 1/2 — 16 UN	.719	2.125	2.719	2 3/8 — 16 UN

NOTE

1. For connectors with size 8, 4 or 0 contacts, add .325 to given overall length

GENERAL PURPOSE PLUG WITH GROMMET NUT

FC3406RG



ORDER NUMBER BY SHELL SIZE	L MAX	O MAX
FC3406RG8S — * 10S —	2.031	.625
10SL —	2.031	.687
12S —	2.031	.812
12 —	2.125	.812
14S —	2.031	.937
14 —	2.125	.937
16S —	2.031	1.062
16 —	2.125	1.062
18 —		1.187
20 —		1.312
22 —		1.437
24 —		1.562
28 —		1.812
32 —		2.062
36 —		2.312
FC3406RG40 — * 	2.125	2.562

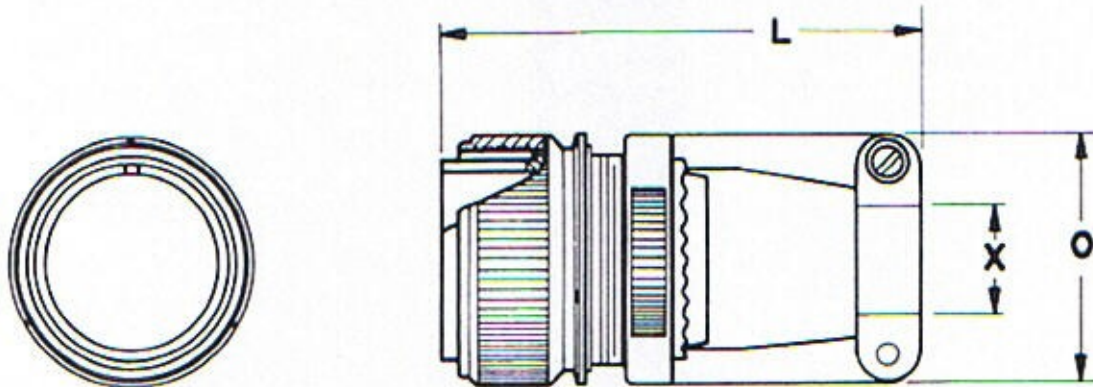
NOTES

1. For connectors with size 6, 4 or 0 contacts, add .325 to given overall length
2. See page 60 for dimensions not shown.

COMMERCIAL

FC3406RE

GENERAL PURPOSE PLUG
WITH CABLE CLAMP



COMMERCIAL

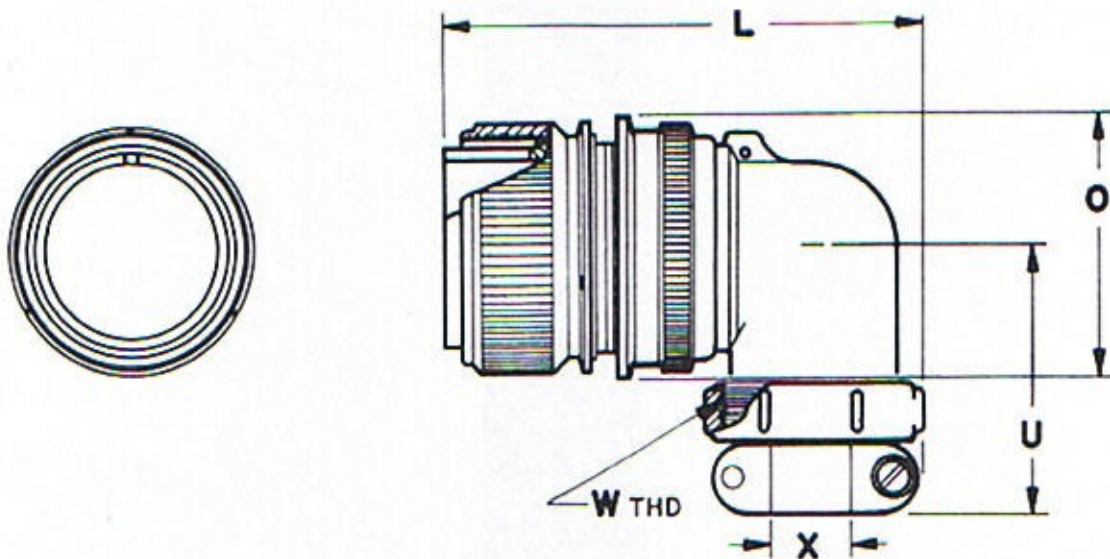
ORDER NUMBER BY SHELL SIZE	L MAX	O MAX	X MAX DIA CABLE
FC3406RE10SL-*	2.894	.906	.312
12S-	2.894	.906	.312
12-	3.073	.906	.312
14S-	3.058	1.093	.438
14-	3.173	1.093	.438
16S-	3.373	1.187	.562
16-	3.452	1.187	.562
18-	3.452	1.281	.625
20-	3.524	1.500	.750
22-	3.524	1.594	.750
24-	3.869	1.719	.937
*28-	3.869	2.015	1.187
32-	4.384	2.270	1.250
FC3406RE 36-*	4.634	2.500	1.375

NOTES

1. For connectors with size 8, 4 or 0 contacts, add .325 to given overall length.
2. See page 60 for dimensions not shown.

GENERAL PURPOSE PLUG WITH 90° CABLE CLAMP

FC3406RL



ORDER NUMBER BY SHELL SIZE	L MAX	O MAX	U MAX	W ACCESSORY THD	X MAX DIA CABLE
FC3406RL8S—*	3.324	.844	2.175	$\frac{1}{2}$ —28 UNEF	.250
10S—	3.324	.969	2.219	$\frac{1}{2}$ —28	.250
10SL—	3.573	.969	2.281	$\frac{5}{8}$ —24	.312
12S—	3.573	1.062	2.281	$\frac{5}{8}$ —24	.312
12—	3.652	1.062	2.281	$\frac{5}{8}$ —24	.312
14S—	3.830	1.156	2.344	$\frac{3}{4}$ —20	.438
14—	3.909	1.156	2.344	$\frac{3}{4}$ —20	.438
16S—	4.064	1.250	2.403	$\frac{7}{8}$ —20	.562
16—	4.143	1.250	2.403	$\frac{7}{8}$ —20	.562
18—	4.307	1.344	2.593	1—20	.625
20—	4.588	1.469	2.656	1 $\frac{3}{16}$ —18	.750
22—	4.588	1.594	2.656	1 $\frac{3}{16}$ —18	.750
24—	4.973	1.719	2.968	1 $\frac{7}{16}$ —18	.938
28—	4.937	1.969	2.968	1 $\frac{7}{16}$ —18 UNEF	.938
32—	5.347	2.219	3.531	1 $\frac{3}{4}$ —18 UNS	1.250
36—	5.534	2.469	3.968	2—18 UNS	1.375
FC3406RL 40—*	5.926	2.719	4.031	2 $\frac{1}{4}$ —16 UN	1.625

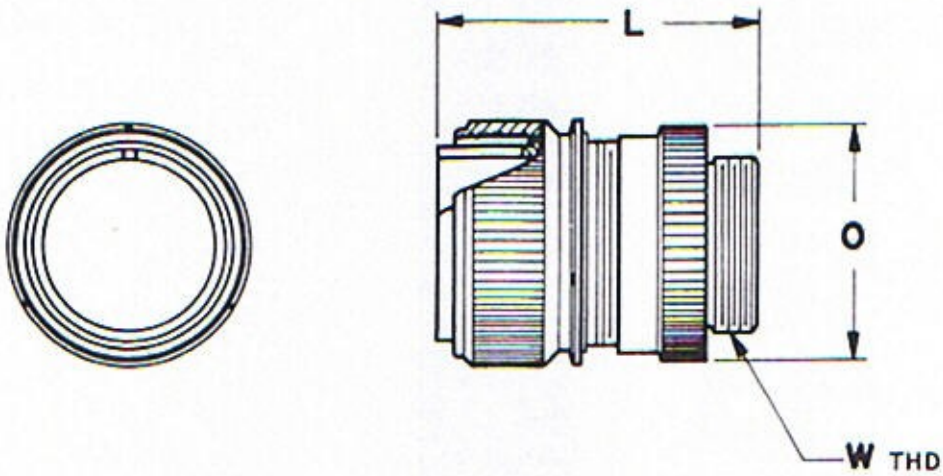
NOTES

1. For connectors with size 6, 4 or 0 contacts, add .325 to given overall length.
2. See page 60 for dimensions not shown.

COMMERCIAL

FC3406RA

GENERAL PURPOSE PLUG WITH CONDUIT ADAPTER



COMMERCIAL

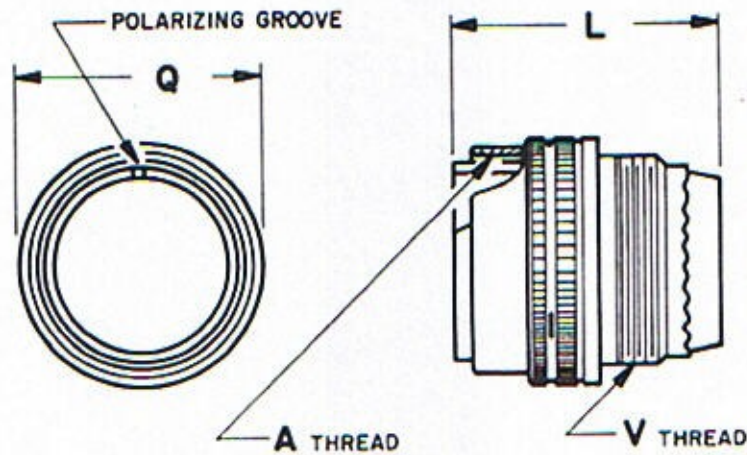
ORDER NUMBER BY SHELL SIZE	L MAX	O MAX	W ACCESSORY THD
FC3406RA10SL-*	2.437	.812	1/8-24 NEF
12S-	2.437	.812	1/8-24 NEF
12-	2.515	.812	1/8-24 NEF
14S-	2.437	.937	1/4-20 UNEF
14-	2.515	.937	1/4-20
16S-	2.437	1.062	1/2-20
16-	2.515	1.062	1/2-20
18-	2.515	1.187	1-20 UNEF
20-	2.562	1.312	1 3/16-18 NEF
22-		1.437	1 3/16-18 NEF
24-		1.562	1 7/16-18 NEF
28-		1.812	1 7/16-18 NEF
32-		2.062	1 3/4-18 NS
36-		2.312	2-18 NS
FC3406RA40-*	2.562	2.562	2 1/4-16 UN

NOTES

1. For connectors with size 8, 4 or 0 contacts, add .325 to given overall length.
2. See page 60 for dimensions not shown.

GENERAL PURPOSE HERCULOC PLUG SELF LOCKING CONNECTOR

FH3406R



NOTE: FOR REAR HARDWARE CONFIGURATIONS SEE FC3406R*

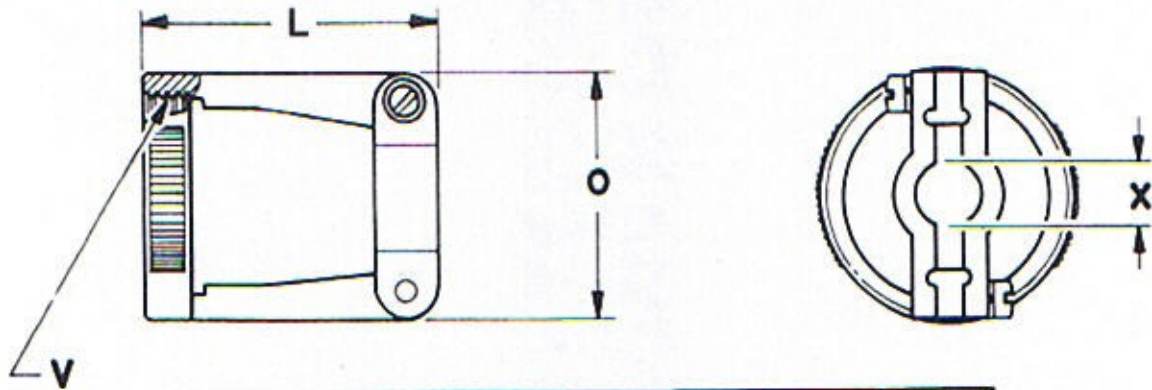
ORDER NUMBER BY SHELL SIZE	A COUPLING THD	L MAX	Q MAX	V ACCESSORY THD
FH3406R*8S — *				
10S—	$\frac{5}{8}$ —24 UNEF	2.031	.969	$\frac{1}{2}$ —28 UNEF
10SL—	$\frac{5}{8}$ —24	2.031	.969	$\frac{5}{8}$ —24
12S—	$\frac{3}{4}$ —20	2.031	.985	$\frac{5}{8}$ —24
12—	$\frac{3}{4}$ —20	2.125	.985	$\frac{5}{8}$ —24
14S—	$\frac{7}{8}$ —20	2.031	1.125	$\frac{3}{4}$ —20
14—	$\frac{7}{8}$ —20	2.125	1.125	$\frac{3}{4}$ —20
16S—	1—20	2.031	1.250	$\frac{7}{8}$ —20
16—	1—20	2.125	1.250	$\frac{7}{8}$ —20
18—	$1\frac{1}{8}$ —18		1.344	1—20
20—	$1\frac{1}{4}$ —18		1.469	$1\frac{1}{8}$ —18
22—	$1\frac{3}{8}$ —18		1.594	$1\frac{1}{4}$ —18
24—	$1\frac{1}{2}$ —18 UNEF		1.719	$1\frac{3}{8}$ —18
28—	$1\frac{3}{4}$ —18 UNS		1.969	$1\frac{5}{8}$ —18 UNEF
32—	2—18 UNS		2.219	$1\frac{7}{8}$ —16 UN
36—	$2\frac{1}{4}$ —16 UN	2.125	2.469	$2\frac{1}{8}$ —16 UN
FH3406R*40 — *				

NOTES

1. For connectors with size 8, 4 or 0 contacts, add .325 to given overall length.
2. See page 60 for dimensions not shown.

COMMERCIAL

MS3410 CLAMP TYPE D



COMMERCIAL

CONN. SIZE	FLIGHT PART NO.	L MAX	O MAX	V ACCESSORY THD	X MAX DIA CABLE
8S					
10S					
10SL					
12S 12	612-1170-000	1.570	.906	$\frac{5}{8}$ -24 UNEF	.312
14S 14	614-1171-000	1.700	1.093	$\frac{3}{4}$ -20	.438
16S 16	616-1172-000	2.010	1.187	$\frac{7}{8}$ -20	.562
18	618-1173-000	2.010	1.281	1-20	.625
20	620-1174-000	2.010	1.500	$1\frac{1}{8}$ -18	.750
22	622-1175-000	2.010	1.594	$1\frac{1}{4}$ -18	.750
24	624-1176-000	2.350	1.719	$1\frac{3}{8}$ -18	.937
28	628-1177-000	2.350	2.015	$1\frac{5}{8}$ -18 UNEF	1.187
32	632-1178-000	2.885	2.270	$1\frac{7}{8}$ -16 UN	1.250
36	636-1179-000	3.100	2.500	$2\frac{1}{8}$ -16 UN	1.375
40					
44					
48					

SEALING PLUGS

FLIGHT PART NO.	MS PART NO.	CONTACT SIZE	COLOR
716-0291-000	MS27187-1	16	BLUE
712-0292-000	MS27187-2	12	YELLOW
708-0293-000	NONE	8	NATURAL
704-0294-000	NONE	4	NATURAL
700-0295-000	NONE	0	NATURAL

CONTACTS

STANDARD

FLIGHT PART NUMBER		SIZE		ACCEPTS WIRE SIZE	COLOR STRIPE
PIN	SOCKET	BODY	BARREL		
016-0007-102	016-1007-202	16	16	16, 18, 20	BLUE/BLUE
016-0011-101	016-1011-201	16	20	20, 22, 24	BLUE/RED
016-0011-102	016-1011-202	16	20	20, 22, 24	BLUE/RED
016-0009-102	016-1009-202	16	22	22, 24, 26	BLUE/GREEN
012-0008-102	012-1008-202	12	12	12, 14	YELLOW/YELLOW
012-0012-102	012-1012-202	12	16	16, 18, 20	YELLOW/BLUE
008-0004-104	008-1004-204	8	8	8	RED/RED
004-0005-104	004-1005-204	4	4	4	BLUE/BLUE
000-0006-104	000-1006-204	0	0	0	YELLOW/YELLOW

FINISH: GOLD PLATED .000050 IN. MIN.

THERMOCOUPLE

FLIGHT PART NUMBER		SIZE		ACCEPTS WIRE SIZE	MATERIAL	COLOR STRIPE
PIN	SOCKET	BODY	BARREL			
016-0007-106	016-1007-206	16	16	16, 18, 20	ALUMEL	BLUE/BLUE/GREEN
016-0007-107	016-1007-207	16	16	16, 18, 20	CHROMEL	BLUE/BLUE/WHITE
016-0011-106	016-1011-206	16	20	20, 22, 24	ALUMEL	BLUE/RED/GREEN
016-0011-107	016-1011-207	16	20	20, 22, 24	CHROMEL	BLUE/RED/WHITE
012-0008-106	012-0008-206	12	12	12, 14	ALUMEL	YELLOW/YELLOW/GREEN
012-0008-107	012-0008-207	12	12	12, 14	CHROMEL	YELLOW/YELLOW/WHITE

CRIMP ADAPTERS

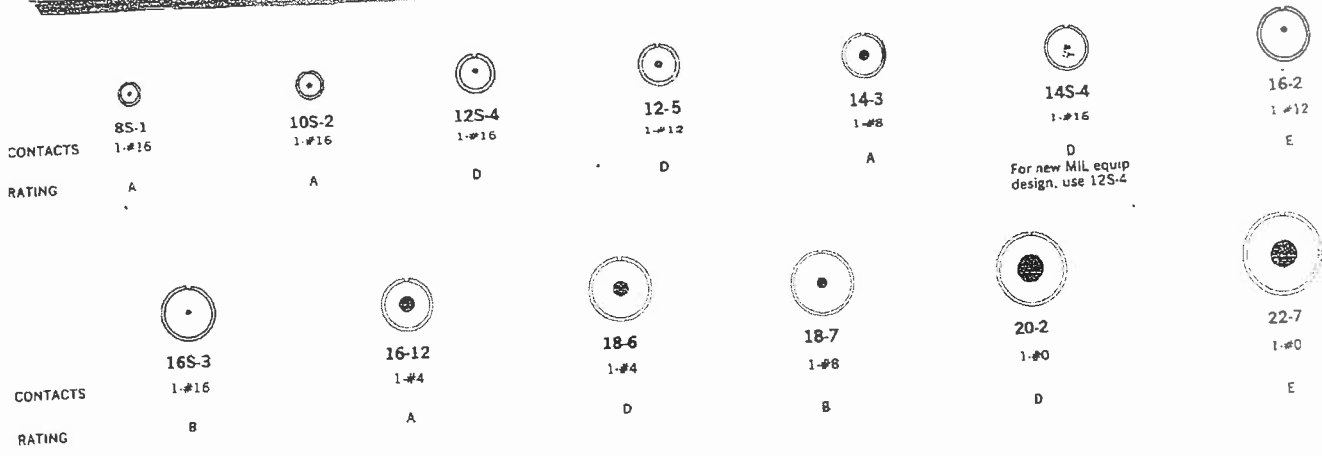
CONTACT SIZE	FLIGHT PART NO.	ACCEPTS WIRE SIZE	DASH NO.
8	708-0003-013	10	-8 -10
4	704-0002-013	6	-4 -6
0	700-0001-013	2	-0 -2
0	700-0004-013	4	—

FINISH: GOLD PLATED .000050 IN. MIN.

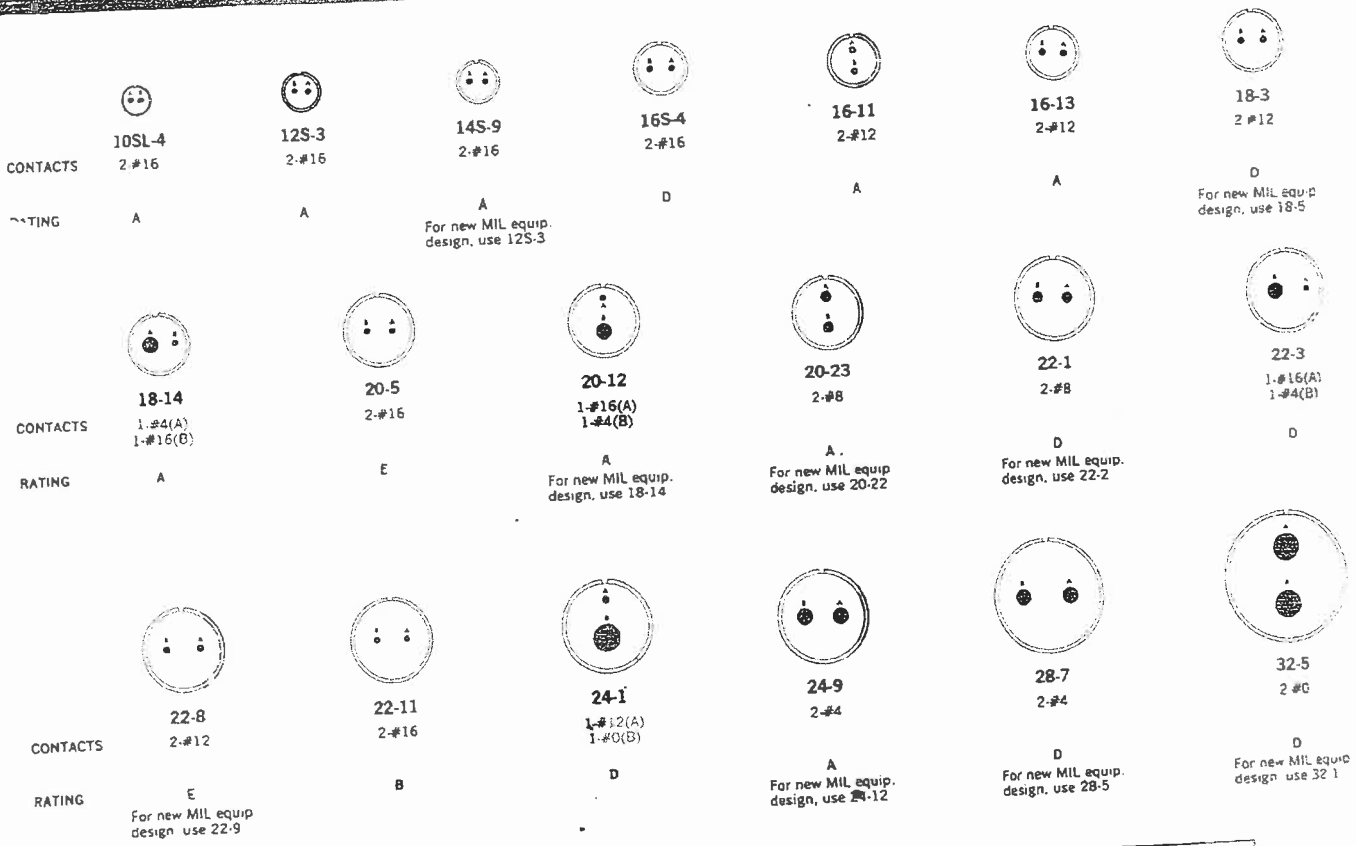
COMMERCIAL

MIL-C-5015 INSERT CONFIGURATIONS

1 CONTACT



2 CONTACTS



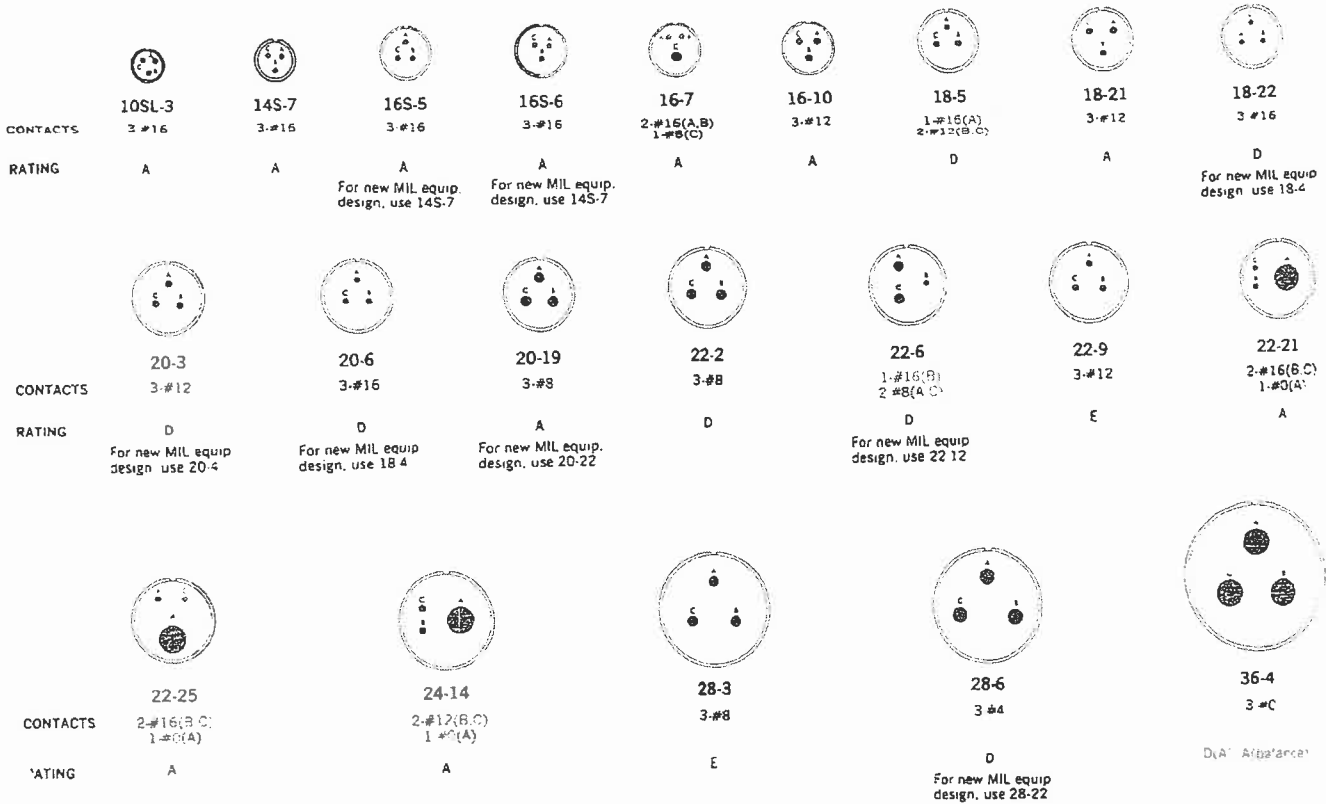
WIRING SERVICE DATA			
Contact Size	Wire Size (MIL-W-5086)	Insulation OD Limit inches	Max. Current Rating (amps)
16	16 thru 22	.064 min. to .130 max.	22
12	12 thru 14	.114 min. to .170 max.	41
8	8 thru 10	.159 min. to .255 max.	73
4	4 thru 6	.280 min. to .370 max.	135
D	0 thru 2	.400 min. to .550 max.	245

HIGH POTENTIAL TEST VOLTAGE				
MS Service Rating	Suggested Operating Voltage DC	Operating Voltages AC(ms)	Air Spacing nom. inches	Creepage Distance nom. inches
INST.	250	200	1/8	1/8
A	700	500	1/4	1/4
D	1250	900	3/8	3/8
E	1750	1250	1/2	1/2
B	2450	1750	3/4	3/4
C	4200	3000	1	1

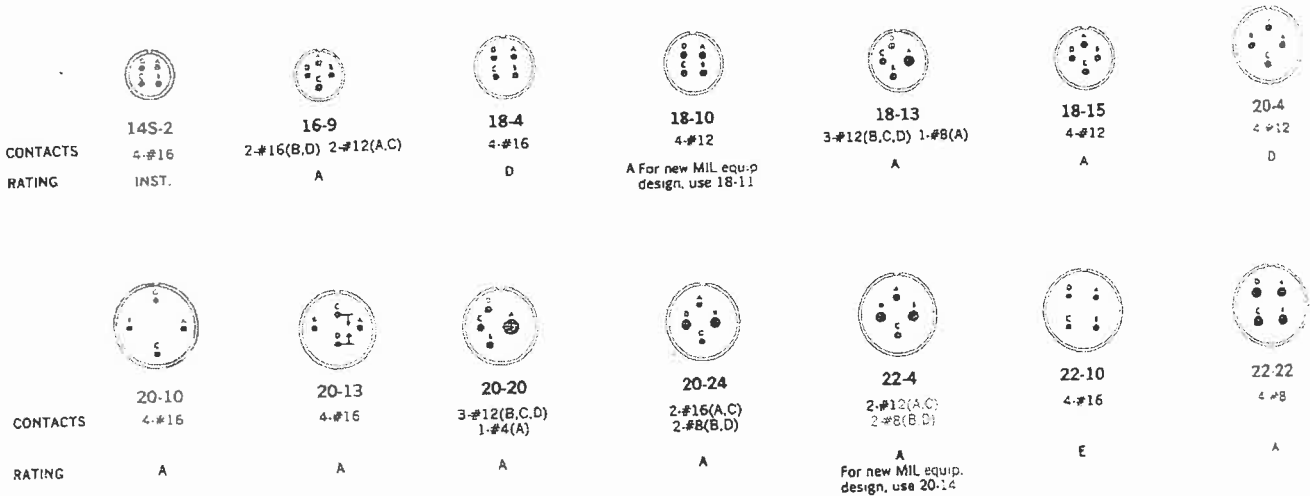
Handwritten signature

MIL-C-5015 INSERT CONFIGURATIONS

3 CONTACTS



4 CONTACTS

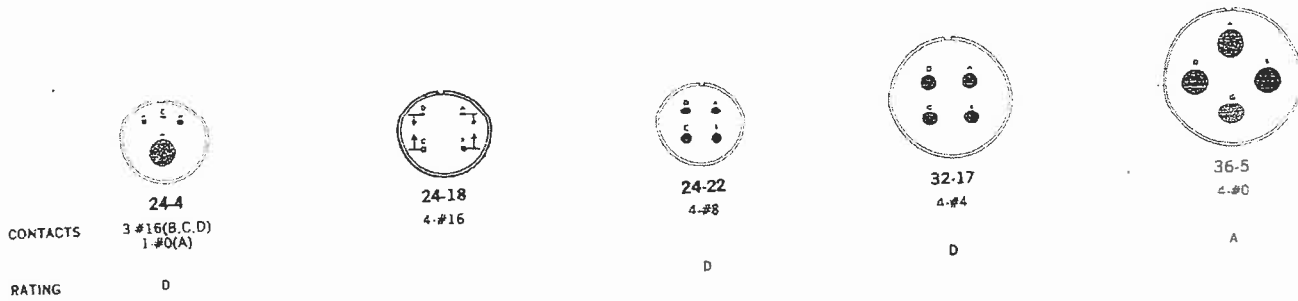


WIRING SERVICE DATA			
Contact Size	Wire Size (MIL-W-5086)	Insulation OD Limit inches	Max. Current Rating (amps)
16	16 thru 22	.064 min. to .130 max.	22
12	12 thru 14	.114 min. to .170 max.	41
8	8 thru 10	.159 min. to .255 max.	73
4	4 thru 6	.280 min. to .370 max.	135
0	0 thru 2	.400 min. to .550 max.	245

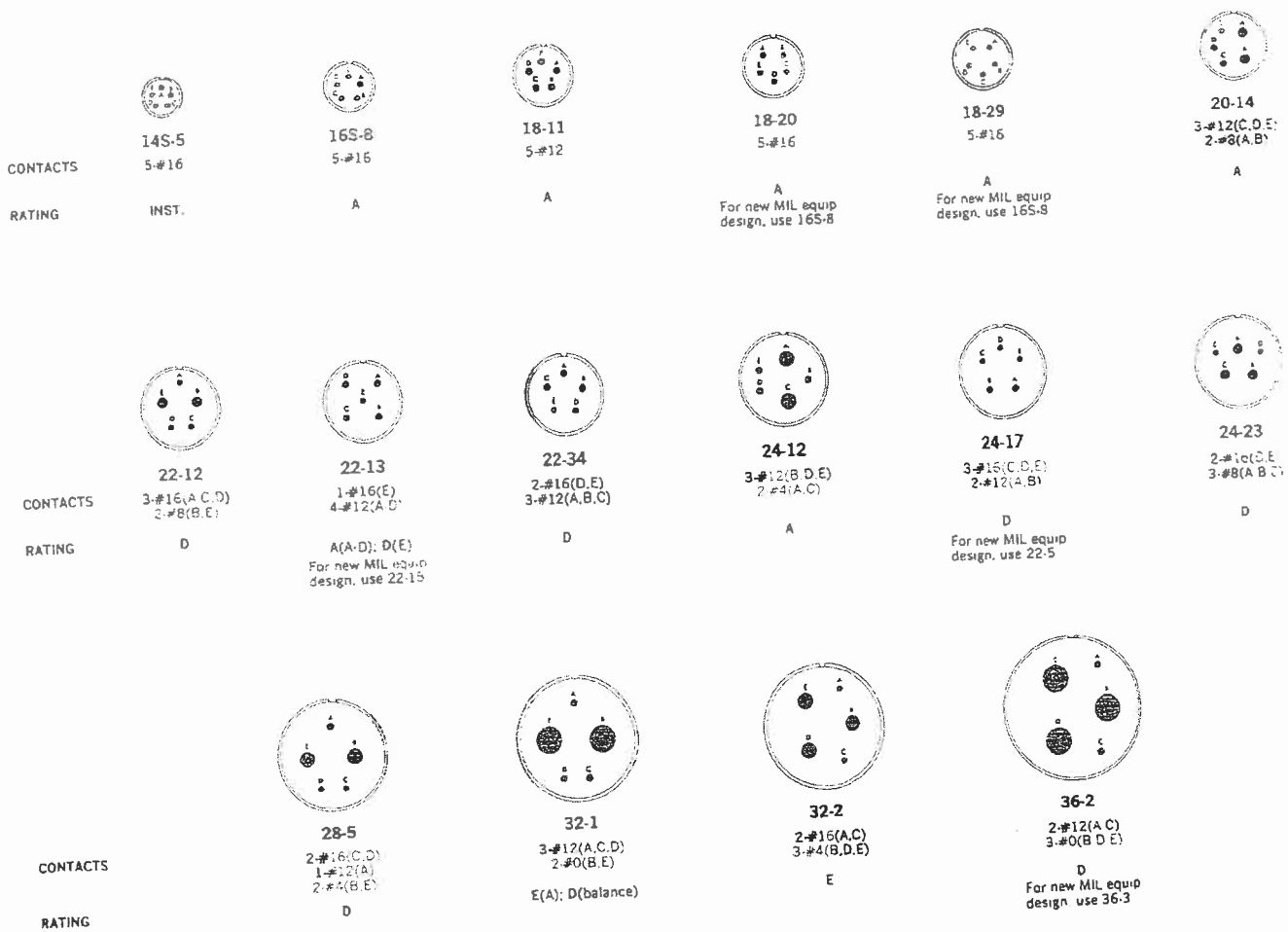
HIGH POTENTIAL TEST VOLTAGE			
MS Service Rating	Suggested Operating Voltages DC	Air Spacing nom. inches	Creepage Distance nom. inches
INST.	250	200	1/4
A	700	500	1/2
D	1250	900	3/4
E	1750	1250	1
B	2450	1750	3/4
C	4200	3000	1

MIL-C-5015 INSERT CONFIGURATIONS

4 CONTACTS (Cont.)



5 CONTACTS

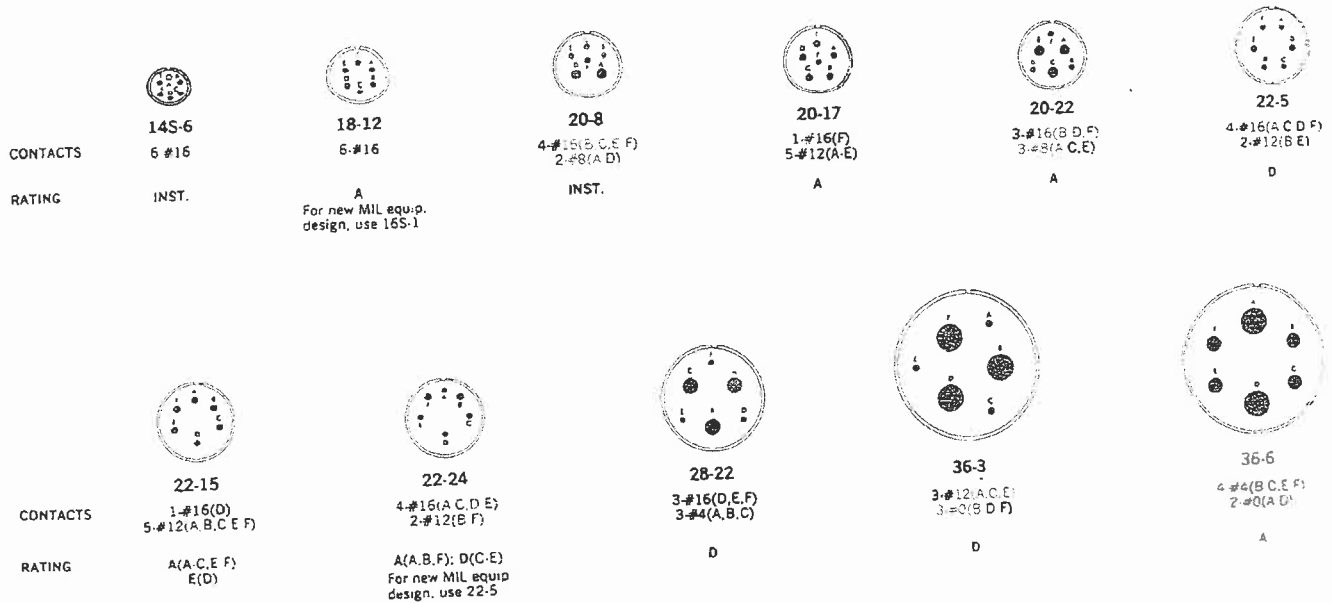


WIRING SERVICE DATA			
Contact Size	Wire Size (MIL W-5086)	Insulation OD Limit inches	Max. Current Rating (amps)
16	16 thru 22	.064 min. to .130 max.	22
12	12 thru 14	.114 min. to .170 max.	41
8	8 thru 10	.159 min. to .255 max.	73
4	4 thru 6	.280 min. to .370 max.	135
0	0 thru 2	.400 min. to .550 max.	245

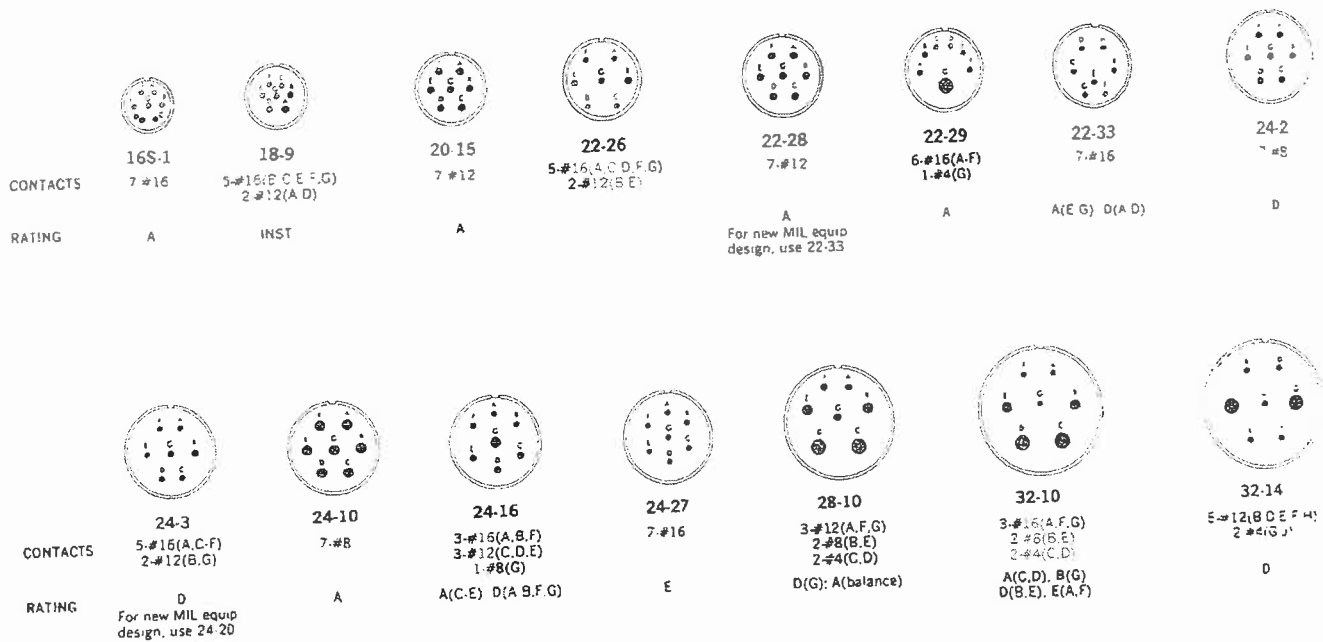
HIGH POTENTIAL TEST VOLTAGE			
MS Service Rating	Suggested Operating DC Voltages	Air Spacing nom. inches	Creepage Distance nom. inches
INST.	250	200	1/16
A	700	500	1/8
D	1250	900	3/16
E	1750	1250	1/4
B	2450	1750	3/8
C	4200	3000	1

MIL-C-5015 INSERT CONFIGURATIONS

6 CONTACTS



7 CONTACTS



WIRING SERVICE DATA			
Contact Size	Wire Size (MIL W 5086)	Insulation OD Limit inches	Max. Current Rating (amps)
16	16 thru 22	.064 min. to .130 max	22
12	12 thru 14	.114 min. to .170 max.	41
8	8 thru 10	.159 min. to .255 max.	73
4	4 thru 6	.280 min. to .370 max.	135
0	0 thru 2	.400 min. to .550 max	245

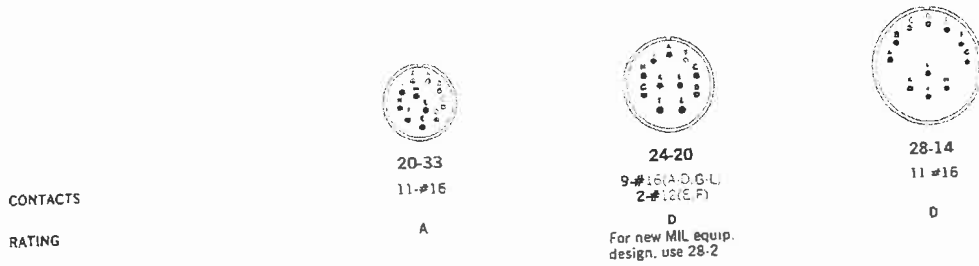
HIGH POTENTIAL TEST VOLTAGE				
MS Service Rating	Suggested Operating DC	Voltages AC(rms)	Air Spacing nom. inches	Creepage Distance nom. inches
INST.	250	200	1/8	1/8
A	700	500	1/8	1/8
D	1250	900	3/16	3/16
E	1750	1250	1/4	1/4
B	2450	1750	3/8	3/8
C	4200	3000	1	1

MIL-C-5015 INSERT CONFIGURATIONS

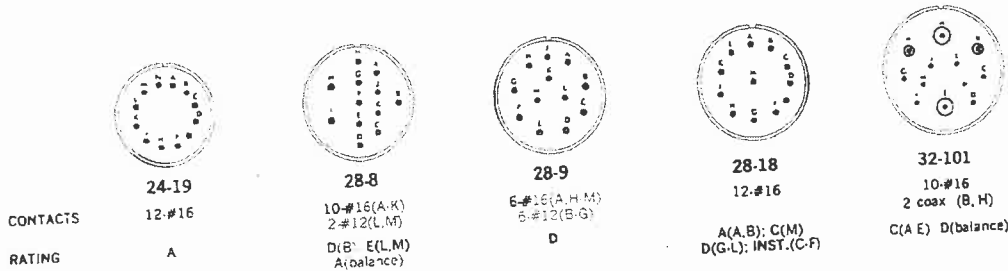
10 CONTACTS



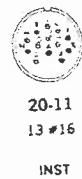
11 CONTACTS



12 CONTACTS



13 CONTACTS



WIRING SERVICE DATA			
Contact Size	Wire Size (MIL-W-5086)	Insulation OD Limit inches	Max. Current Rating (amps)
16	16 thru 22	.064 min. to .130 max	22
12	12 thru 14	.114 min. to .170 max	41
8	8 thru 10	.159 min. to .255 max	73
4	4 thru 6	.280 min. to .370 max	135
0	0 thru 2	400 min. to 550 max	245

HIGH POTENTIAL TEST VOLTAGE				
MS Service Rating	Suggested Operating Voltage DC	Suggested Voltages AC(rms)	Air Spacing nom inches	Creepage Distance nom inches
INST.	250	200	1/16	1/16
A	700	500	1/8	1/8
D	1250	900	1/16	1/16
E	1750	1250	1/8	1/8
B	2450	1750	1/16	1/16
C	4200	3000		1

MIL-C-5015 INSERT CONFIGURATIONS

14 CONTACTS

CONTACTS	14-#16	14-#16	12-#16(A,L,N) 2-#12(M,P)	4-#16(K,N) 10-#12(A,J,P)	12-#16(A,F,J,O) 2-#12(G,H)	12-#16(C,N) 2-#4(A,B)	13-#16 1 coax (O)
RATING	A	A	D	A	A(F,J,K,N) D(balance)	D For new MIL equip. design, use 28-2	A(C,G,H,J,M,N); D(balance)

15 CONTACTS

CONTACTS	15-#16	10-#16(A,D,F,G,L,N-P) 5-#12(E,H,J,R,M)	6-#12(A,C,D,H,I,K) 4-#8(B,J,M,O) 2-#4(L,N), 3-#0(E,F,G)	6-#12(A,C,M,O) 4-#8(L), 2-#4(D,E) 2-#0(F,H)
RATING	A(A,L) B(R) D(M,P)	A(C,G); D(balance) For new MIL equip. design, use 32-13	A	E(B,N); D(balance)

16 CONTACTS

CONTACTS	16-#16	14-#16(A-M,O) 2-#12(N,P)	6-#16(K,Q) 5-#12(B,D,F,H,J) 5-#8(A,C,E,G,I)
RATING	A For new MIL equip. design, use 22-14	A	D

17 CONTACTS

CONTACTS	17-#16	15-#16(A,K,N,S) 2-#12(L,M)	10-#16(H,Q) 5-#12(B,D,F,G) 1-#4(A) 1-#0(E)
RATING	A	E(N,Q); A(balance)	D

19 CONTACTS

22-14 19-#16
A

20 CONTACTS

28-16 20-#16
A For new MIL equip. design, use 28-12

WIRING SERVICE DATA			
Contact Size	Wire Size (MIL-W-5086)	Insulation OD Limit inches	Max. Current Rating (amps)
16	16 thru 22	.064 min. to .130 max.	22
12	12 thru 14	.114 min. to .170 max.	41
8	8 thru 10	.159 min. to .255 max.	73
4	4 thru 6	.280 min. to .370 max.	135
0	0 thru 2	.400 min. to .550 max.	245

MS Service Rating	HIGH POTENTIAL TEST VOLTAGE			Creepage Distance nom. inches
	Suggested Operating DC	Voltages AC(rms)	Air Spacing nom. inches	
INST.	250	200	1/16	1/16
A	700	500	1/8	1/8
D	1250	900	1/4	1/4
E	1750	1250	3/8	3/8
B	2450	1750	1/2	1/2
C	4200	3000	3/4	1

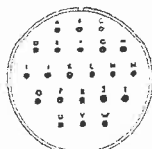
MIL-C-5015 INSERT CONFIGURATIONS

22 CONTACTS



28-11
18-#16(A-L,N-X)
4-#12(J,M)

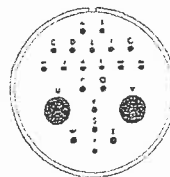
A



36-1
18-#16(A-F,I-R,U-W)
4-#12(G,H,S,T)

D

For new MIL equip design, use 32-13



40-7
18-#16(A-T) 2-#12(W,X)
2-#0(U,V)

A(P,Q,U,X) D(balance)

CONTACTS

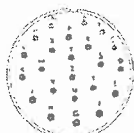
RATING

23 CONTACTS



24-80
23-#16

INST



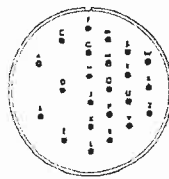
32-6
16-#16(A,O,S) 2-#12(U,V)
3-#8(P,T) 2-#0(W,X)

A



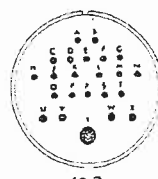
32-13
18-#16(A-D,K-Z)
5-#12(E,J)

D



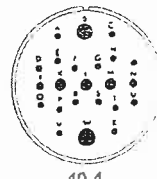
40-2
23-#16

B(A-E); D(balance)



40-3
18-#16(A-T);
4-#12(U-X); 1-#4(Y)

D



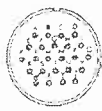
40-4
16-#16(A,C,I,O,V,X)
2-#12(U,X) 3-#8(K,L,N) 2-#0(B,A)

D

CONTACTS

RATING

24 CONTACTS



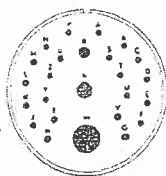
24-28
24-#16

INST.

CONTACTS

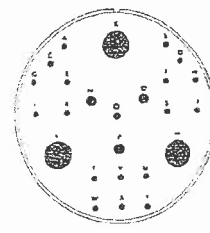
RATING

25 CONTACTS



40-11
18-#16(A,F,J,P,S-U,Y,Z,a)
4-#12(G,H,V,X)
1-#8(R) 1-#4(b) 1-#0(W)

D



48-3
18-#16(A-J,R-Y)
1-#12(Q) 3-#8(N-P)
3-#0(M)


D

WIRING SERVICE DATA			
Contact Size	Wire Size (MIL-W-5086)	Insulation OD Limit inches	Max. Current Rating (amps)
16	16 thru 22	.064 min. to .130 max.	22
12	12 thru 14	.114 min. to .170 max.	41
8	8 thru 10	.159 min. to .255 max.	73
4	4 thru 6	.280 min. to .370 max.	135
0	0 thru 2	.400 min. to .550 max.	245

HIGH POTENTIAL TEST VOLTAGE			
MS Service Rating	Suggested Operating Voltages DC	Air Spacing nom. inches AC(rms)	Creepage Distance nom. inches
INST.	250	200	1/16
A	700	500	1/8
D	1250	900	3/16
E	1750	1250	1/4
B	2450	1750	3/8
C	4200	3000	1

MIL-C-5015 INSERT CONFIGURATIONS

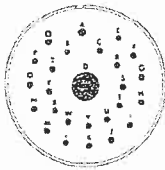
26 CONTACTS **29 CONTACTS**



28-12
26-#16

CONTACTS

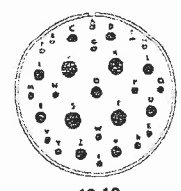
RATING A



40-6
24-#16(B,C,E-Z)
1-#12(A) 1-#0(D)

CONTACTS

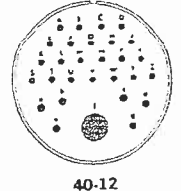
RATING D



40-10
16-#16(A,B,E-H,M,N,P,Q,V,Y,b,c)
9-#8(c,d,l,l,o,r,u,z,a)
4-#4(j,k,s,t)

CONTACTS

RATING A

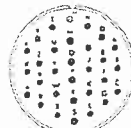


40-12
22-#16(A-Z)
6-#12(a-e,g), 1-#0(f)

CONTACTS

RATING D

30 CONTACTS **31 CONTACTS**

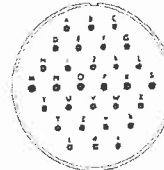


32-8
24-#16(A,L,T,Z,a-e)
6-#12(M,S)

CONTACTS

RATING A

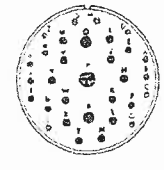
For new MIL equip design, use 32-7



40-1
24-#16(A,L,T,e)
6-#12(M,S)

CONTACTS

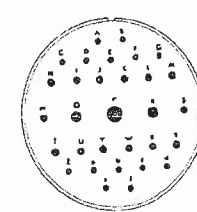
RATING D



36-9
14-#16(A,G,Z,t)
14-#12(H,N,S,Y)
2-#8(O,R) 1-#4(P)

CONTACTS

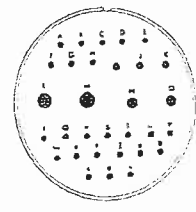
RATING A



44-2
14-#16(A,G,Z,t)
14-#12(H,N,S,Y)
2-#8(O,R) 1-#4(P)

CONTACTS

RATING D

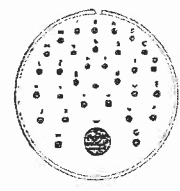


44-3
24-#16(A,H,P,e)
3-#12(i,j,k)
2-#8(N,O) 2-#4(L,M)

CONTACTS

RATING D

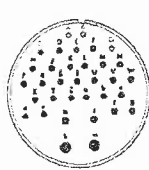
32 CONTACTS **34 CONTACTS** **35 CONTACTS**



40-14
21-#16(A,D,L,U,Y,e,g,h,i)
10-#12(E,K,V,X,e,f)
1-#0(W)

CONTACTS

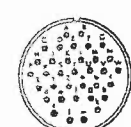
RATING D



36-20
30-#16(A,g)
2-#12(h,i)
2-#8(k,m)

CONTACTS

RATING A

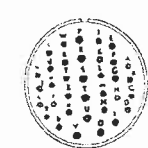


28-15
35-#16

CONTACTS

RATING A

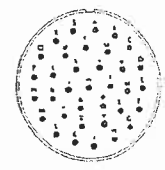
For new MIL equip design, use 28-21



32-7
28-#16(A-N,W-Z,a-k)
7-#12(O-V)

CONTACTS

RATING INST.(A,B,h,i)
A(balance)



36-15
35-#16

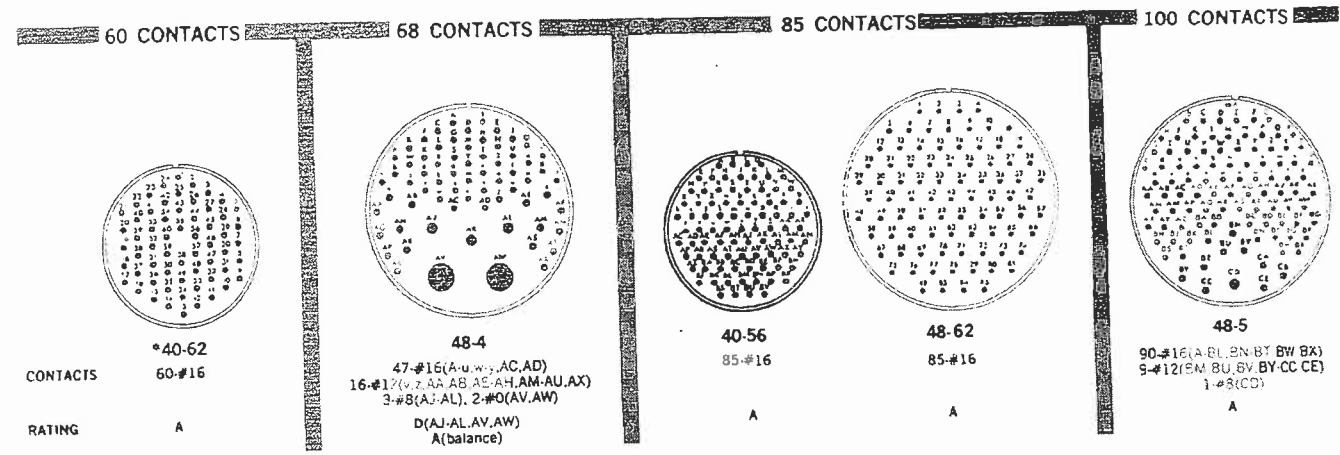
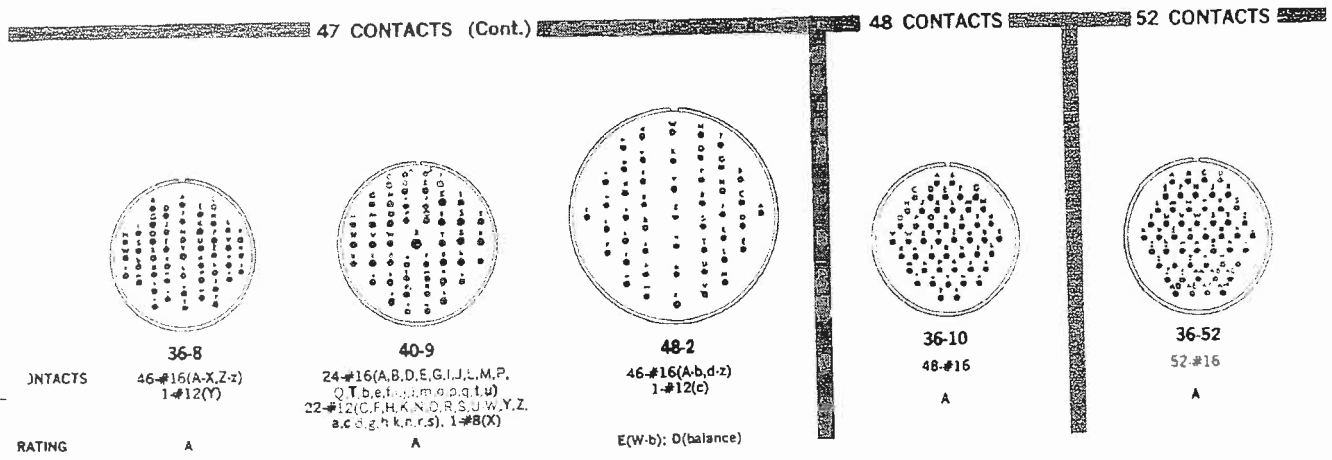
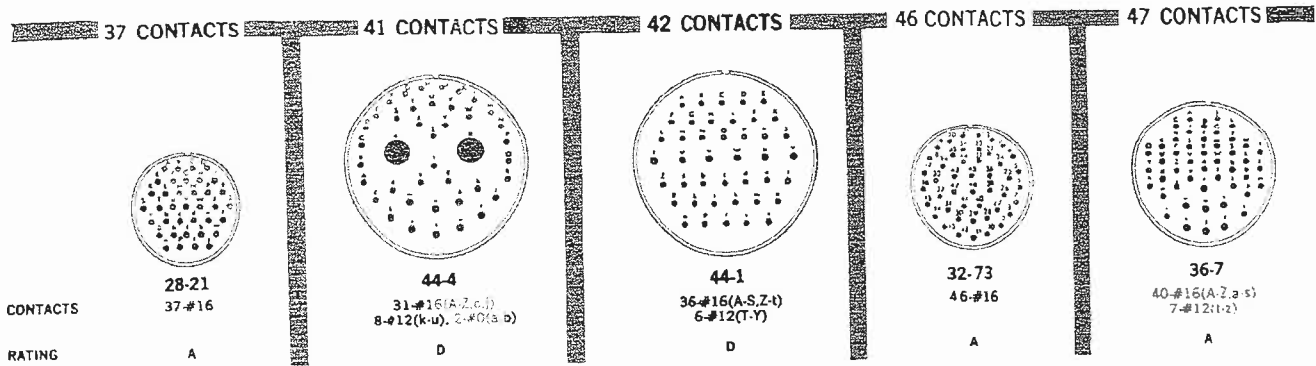
CONTACTS

RATING D(m), A(balance)

WIRING SERVICE DATA			
Contact Size	Wire Size (MIL-W-5085)	Insulation OD Limit inches	Max. Current Rating (amps)
16	16 thru 22	.064 min. to .130 max.	22
12	12 thru 14	.114 min. to .170 max.	41
8	8 thru 10	.159 min. to .255 max.	73
4	4 thru 6	.280 min. to .370 max.	135
0	0 thru 2	.400 min. to .550 max.	245

MS Service Rating	Suggested Operating Voltages		Air Spacing nom. inches	Crospage Distance nom. inches
	DC	AC(rms)		
INST.	250	200	1/8	1/8
A	700	500	1/8	1/8
D	1250	900	1/8	1/8
E	1750	1250	1/8	1/8
B	2450	1750	3/16	3/16
C	4200	3000	1/2	1

MIL-C-5015 INSERT CONFIGURATIONS



WIRING SERVICE DATA			
Contact Size	Wire Size (MIL W-5086)	Insulation OD Limit inches	Max. Current Rating (amps)
16	16 thru 22	.064 min. to 130 max.	22
12	12 thru 14	.114 min. to 170 max.	41
8	8 thru 10	.159 min. to 255 max.	73
4	4 thru 6	.280 min. to 370 max.	135
0	0 thru 2	.400 min. to 550 max.	245

MS Service Rating	HIGH POTENTIAL TEST VOLTAGE Suggested Operating Voltages		Air Spacing nom. inches	Creepage Distance nom. inches
	DC	AC(rms)		
INST.	250	200	1/16	1/16
A	700	500	1/8	1/8
D	1250	900	1/4	3/16
E	1750	1250	1/2	1/2
B	2450	1750	3/8	3/8
C	4200	3000	1	1

III-C 5015 INSERT ARRANGEMENTS BY CONNECTOR SIZE

AN/MS INSERTS	CONTACTS					ALTERNATE INSERT POSITIONS (DEGREES)				AN/MS INSERTS	CONTACTS					ALTERNATE INSERT POSITIONS (DEGREES)					
	TOTAL	SIZE					W	X	Y		Z	TOTAL	SIZE					W	X	Y	Z
		16	12	8	4	0							16	12	8	4	0				
8S-1	1	1								16-11	2	2					35	110	250	325	
10S-2	1	1								16-12	1				1						
10SL-3*	3	3								16-13	2	2					Thermocouple				
10SL-4	2	2								16S-14	3						Position #3 of 16S-5				
12S-1	2								Position #12 of 12S-3	16S-15	2						Position #12 of 16S-4				
12S-2	2								Position #13 of 12S-3	16S-16	2						Position #13 of 16S-4				
12S-3*	2	2							70 145 215 290	16S-17	3						Position #13 of 16S-5				
12S-4	1	1								18-1*	10	10					70	145	215	290	
12-5	1		1							18-3	2		2				35	110	250	325	
14S-1	3	3							Same as 14S-7	18-4	4	4					35	110	250	325	
14S-2*	4	4							120 240	18-5	3	1	2				80	110	250	280	
14-3	1			1						18-6	1				1						
14S-4	1	1								18-7	1			1							
14S-5	5	5							110	18-8	8	7	1				70			290	
14S-6*	6	6								18-9	7	5	2				80	110	250	280	
14S-7*	3	3							90 180 270	18-10	4		4				120	240			
14S-9	2	2							70 145 215 290	18-11*	5		5					170	265		
14S-10	4								Position #12 of 14S-2	18-12	6	6					80			280	
14S-11	4								Position #13 of 14S-2	18-13	4		3	1			80	110	250	280	
14S-12	3								Position #12 of 14S-1	18-14	2	1			1		80	110	250	280	
14S-13	3								Position #2 of 14S-1	18-15	4		4				Thermocouple				
14S-14	4								Position #12 of 14S-2	18-16	1		1	All high voltage contacts							
16S-1*	7	7							80 280	18-17	7			100° rotation to right of 18-9							
16-2	1		1							18-18	7			250° rotation to right of 18-9							
16S-3	1	1								18-19	10	10						120	240		
16S-4	2	2							35 110 250 325	18-20	5	5					90	180	270		
16S-5	3	3							70 145 215 290	18-21	3		3				70	145	215	290	
16S-6	3	3							90 180 270	18-22	3	3					70	145	215	290	
16-7	3	2		1					80 110 250 280	18-23	10						Position #12 of 18-1				
16S-8	5	5							170 265	18-24	10						Position #13 of 18-1				
16-9*	4	2	2						35 110 250 325	18-25	2						Position #12 of 18-3				
16-10*	3		3						90 180 270	18-26	2						Position #13 of 18-3				

* ABC INSERT ARRANGEMENTS PER 13 APRIL 1966 AGREEMENT BETWEEN AMERICAN, BRITISH AND CANADIAN INDUSTRIES TO USE THESE CONNECTORS ON NEW EQUIPMENT.

MIL-C-5015 INSERT ARRANGEMENTS BY CONNECTOR SIZE

AN/MS INSERTS	CONTACTS					ALTERNATE INSERT POSITIONS (DEGREES)				AN/MS INSERTS	CONTACTS					ALTERNATE INSERT POSITIONS (DEGREES)					
	TOTAL	SIZE					W	X	Y		Z	TOTAL	SIZE					W	X	Y	Z
		16	12	8	4	0							16	12	8	4	0				
18-27	3					Position #12 of 18-5				20-30	13					Position #13 of 20-11					
18-28	3					Position #13 of 18-5				20-32	8					Position #2 of 20-7					
18-29	5	5				90	180	270		20-33	11	11									
18-30	5					Position #3 of 18-20				22-1	2			2			35	110	250	325	
18-31	5					Position #2 of 18-20				22-2	3			3			70	145	215	290	
20-1	14	14				Same as 20-27				22-3	2	1			1		80	110	250	280	
20-2	1				1					22-4	4		2	2			35	110	250	325	
20-3	3		3			70	145	215	290	22-5	6	4	2				35	110	250	325	
20-4	4		4			45	110	250		22-6	3	1		2			80	110	250	280	
20-5	2	2				35	110	250	325	22-7	1				1						
20-6	3	3				70	145	215	290	22-8	2		2				35	110	250	325	
20-7	8	8				80	110	250	280	22-9	3		3				70	145	215	290	
20-8	6	4		2		80	110	250	280	22-10	4	4					35	110	250	325	
20-9	8	7	1			80	110	250	280	22-11	2	2					35	110	250	325	
20-10	4	4								22-12	5	3		2			80	110	250	280	
20-11	13	13								22-13	5	1	4				35	110	250	325	
20-12	2	1			1	80	110	250	280	22-14*	19	19					80			280	
20-13	4	4								22-15	6	1	5				80	110	250	280	
20-14*	5		3	2		80	110	250	280	22-16	9	6	3				80	110	250	280	
20-15*	7		7			80			280	22-17	9	8	1				80	110	250	280	
20-16	9	7	2			80	110	250	280	22-18	8	8					80	110	250	280	
20-17	6	1	5			80	180	270		22-19	14	14					80	110	250	280	
20-18*	9	6	3			35	110	250	325	22-20	9	9					35	110	250	325	
20-19	3			3		90	180	270		22-21	3	2			1		80	110	250	280	
20-20	4		3		1	80	110	250	280	22-22*	4			4				110	250		
20-21	9	8	1			35	110	250	325	22-23*	8		8				35		250		
20-22*	6	3		3		80	110	250	280	22-24	6	4	2				80	110	250	280	
20-23	2			2		35	110	250	325	22-25	3	2				1					
20-24	4	2		2		35	110	250	325	22-26	7	5	2								
20-25	13					Position #12 of 20-11				22-27	9	8		1			80		250	280	
20-27	14	14				35	110	250	325	22-28	7		7				80			280	
20-29*	17	17				80			280	22-29	7	6			1		80	110	250	280	

* ABC INSERT ARRANGEMENTS PER 13 APRIL 1966 AGREEMENT BETWEEN AMERICAN, BRITISH AND CANADIAN INDUSTRIES TO USE THESE CONNECTORS ON NEW EQUIPMENT.

III C-5015 INSERT ARRANGEMENTS BY CONNECTOR SIZE

AN/MS INSERTS	CONTACTS					ALTERNATE INSERT POSITIONS (DEGREES)				AN/MS INSERTS	CONTACTS					ALTERNATE INSERT POSITIONS (DEGREES)					
	TOTAL	SIZE					W	X	Y		Z	TOTAL	SIZE					W	X	Y	Z
		16	12	8	4	0							16	12	8	4	0				
22-30	19					Position #12 of 22-14				24-80	23	23				35	145	240	300		
22-31	2					Position #12 of 22-11				28-1	9		6	3		80	110	250	280		
22-32	6					Position #2 of 22-5				28-2	14	12	2			35	110	250	325		
22-33	7	7				80	110	250	280	28-3	3			3		70	145	215	290		
22-34	5	2	3			80	110	250	280	28-4	9	7	2		80	110	250	280			
22-36	8		8			90		270		28-5	5	2	1	2	35	110	250	325			
24-1	2	1			1	80	110	250	280	28-6	3			3	70	145	215	290			
24-2	7		7			80			280	28-7	2			2	35	110	250	325			
24-3	7	5	2			80	110	250	280	28-8	12	10	2		80	110	250	280			
24-4	4	3			1	80	110	250	280	28-9	12	6	6		80	110	250	280			
24-5	16	16				80	110	250	280	28-10	7		3	2	80	110	250	280			
24-6	8		8			80	110	250	280	28-11*	22	18	4		80	110	250	280			
24-7*	16	14	2			80	110	250	280	28-12	26	26			90	180	270				
24-9	2				2	35	110	250	325	28-13	26				Position #12 of 28-12						
24-10	7			7		80			280	28-14	11	11			80	110	250	280			
24-11*	9		6	3		35	110	250	325	28-15	35	35			80	110	250	280			
24-12	5		3		2	80	110	250	280	28-16	20	20			80	110	250	280			
24-14	3		2			80	110	250	280	28-17	15	15			80	110	250	280			
24-15	16					Position #12 of 24-5				28-18	12	12			70	145	215	290			
24-16	7	3	3	1		80	110	250	280	28-19	10	6	4		80	110	250	280			
24-17	5	3	2			80	110	250	280	28-20*	14	4	10		80	110	250	280			
24-18	4	4								28-21*	37	37			80	110	250	280			
24-19	12	12								28-22*	6	3		3	70	145	215	290			
24-20	11	9	2			80	110	250	280	28C9-16	9	5		4							
24-21	10	9		1		80	110	250	280	32-1	5		3		2	80	110	250	280		
24-22	4			4		45	110	250		32-2	5	2		3	70	145	215	290			
24-23	5	2		3		80	110	250	280	32-3	9	4	2	2	1	80	110	250	280		
24-24	16					Position #13 of 24-5				32-4	14	12	2		80	110	250	280			
24-25	8					Position #12 of 24-6				32-5	2				2	35	110	250	325		
24-26	8					Position #13 of 24-6				32-6*	23	16	2	3	2	80	110	250	280		
24-27	7	7				80			280	32-7*	35	28	7		80	110	250	280			
24-28	24	24				80	110	250	280	32-8	30	24	6		80	110	250	280			

* ABC INSERT ARRANGEMENTS PER 13 APRIL 1966 AGREEMENT BETWEEN AMERICAN, BRITISH AND CANADIAN INDUSTRIES TO USE THESE CONNECTORS ON NEW EQUIPMENT.

MIL-C-5015 INSERT ARRANGEMENTS BY CONNECTOR SIZE

AN/MS INSERTS	CONTACTS					ALTERNATE INSERT POSITIONS (DEGREES)				AN/MS INSERTS	CONTACTS					ALTERNATE INSERT POSITIONS (DEGREES)					
	TOTAL	SIZE					W	X	Y		Z	TOTAL	SIZE					W	X	Y	Z
		16	12	8	4	0							16	12	8	4	0				
32-9	14	12			4		80	110	250	280	36-19	17	10	5		1	1	80	110	250	280
32-10	7	3		2	2		80	110	250	280	36-20	34	30	2	2						
32-12	15	10	5				80	110	250	280	36-21	31						Position #2 of 36-9			
32-13	23	18	5				80	110	250	280	36-52	52	52					72	144	216	288
32-14	7		5		2		35	110	250	325	40-1	30	24	6				65	130	235	300
32-15	8		6			2	35	110	250	280	40-2	23	23					80	110	250	280
32-16	23						Position #12 of 32-6				40-3	23	18	4		1		80	110	250	280
32-17	4				4		45	110	250		40-4	23	16	2	3	2		35	110	250	325
32-18	14						Position #12 of 32-4				40-5	15		6	4	2	3	80	110	250	280
32-19	5						Position #12 of 32-1				40-6	26	24	1		1		80	110	250	280
32-20	23						Position #2 of 32-6				40-7	22	18	2		2		80	110	250	280
32-22	54	54					80	110	250	280	40-9	47	24	22	1			65	125	225	310
32-73	46						36				40-10	29	16		9	4		65	125	225	310
32-101	12	10	2 coax				65	125	225	310	40-11	25	18	4	1	1	1	80	110	250	280
32-102	14	13	1 coax				65	125	225	310	40-12	29	22	6		1					
36-1	22	18	4				80	110	250	280	40-13	23						Position #12 of 40-2			
36-2	5		2			3					40-14	32	21	10		1					
36-3	6		3			3	70	145	215	290	40-56	85	85					72	144	216	288
36-4	3					3	70	145	215	290	40-62	60	60					30	130	220	290
36-5	4					4	120	240			44-1	42	36	6				65	125	225	310
36-6	6				4	2	35	110	250	235	44-2	31	14	14	2	1		65	125	225	310
36-7*	47	40	7				80	110	250	280	44-3	31	24	3	2	2		65	125	225	310
36-8	47	46	1				80	110	250	280	44-4	41	31	8				65	125	225	310
36-9	31	14	14	2	1		80	125	235	280	44-5	42						Position #12 of 44-1			
36-10	48	48					80	125	235	280	44-6	42						Position #13 of 44-1			
36-11	48						Position #12 of 36-10				44-52	104	104					72	135	225	288
36-12	48						Position #13 of 36-10				48-1	15		6	4	2	3	65	125	225	310
36-13	17	15	2				80	110	250	280	48-2	47	46	1				65	125	225	310
36-14	16	6	5	5			90	180	270		48-3	25	18	1	3		3	65	125	225	310
36-15	35	35					60	125	245	305	48-4	68	47	16		3	2	65	125	225	310
36-16	47						Position #12 of 36-7				48-5	100	90	9	1			65	125	225	310
36-17	47						Position #13 of 36-7				48-35	4	All 4/0 contacts								
36-18	31						Position #12 of 36-9				48-62	85	85					72	144	216	288

* ABC INSERT ARRANGEMENTS PER 13 APRIL 1966 AGREEMENT BETWEEN AMERICAN, BRITISH AND CANADIAN INDUSTRIES TO USE THESE CONNECTORS ON NEW EQUIPMENT.