

# LOGIC COMBI.

24 30 35

## HIGH EFFICIENCY COMBINATION BOILERS



### RELIABLE

- Energy Saving Trust endorsed product
- 2 year parts and labour warranty
- Boiler frost protection
- Built-in, easy to use filling loop
- Simple diverter valve design
- Two stage flame sensing for greater reliability
- Latest generation Honeywell gas valve
- Fully modulating operation to low outputs
- Automatic bypass
- ErP compliant

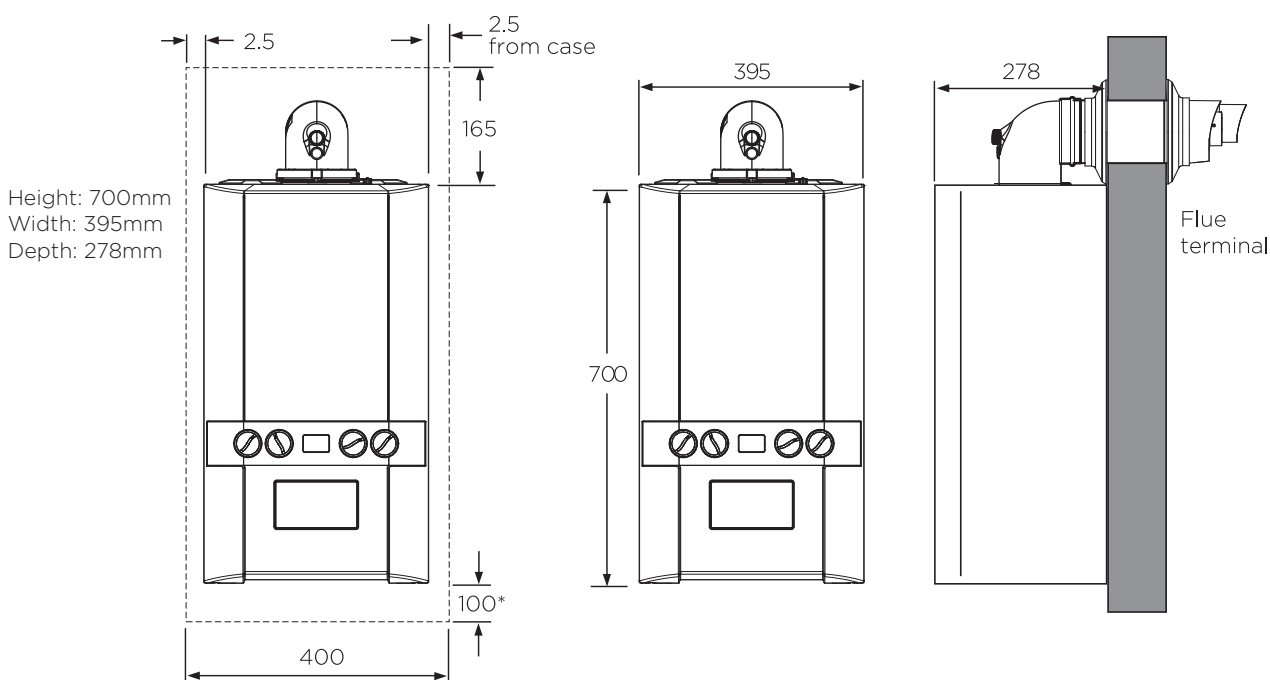
### EASY TO INSTALL

- Compact cupboard fit
- Low lift weight (32kg)
- Wide range of additional flueing options
- Four optional language user instructions\*
- Visually impaired user fascia option
- Preformed copper tails and pre-wired mains lead
- Universal condensate connection
- Compatible with a range of additional controls inc. weather compensation
- LPG conversion kit available for 24 kW & 30 kW boilers
- Plain text operation and diagnostics display



\* Available to download from [www.idealboilers.com](http://www.idealboilers.com)

# CLEARANCES & DIMENSIONS.



**Note:** The minimum front clearance when built in to a cupboard is 5mm from the cupboard door but 450mm overall clearance with the cupboard door open is required for servicing. \*Bottom clearance after installation can be reduced to 5mm. However, 100mm is required for servicing.

# TECHNICAL SPECIFICATIONS.

	COMBI 24	COMBI 30	COMBI 35
Weight (packaged) kg	36.3	36.5	36.5
Max installation weight kg	31.8	32.0	32.0
CH output (kW) min/max @ 70°C	4.8 - 24.2	6.1 - 24.2	7.1 - 24.2
CH output (kW) min/max @ 40°C	5.1 - 25.6	6.4 - 25.6	7.5 - 25.6
DHW output (kW) max	24.2	30.3	35.3
DHW flow rate l/min. 35°C rise	9.9	12.4	14.5
SEDBUK rating (2005) %	91	91.1	91
SEDBUK rating (2009) %	89.0	89.0	88.9
NOx classification	CLASS 5	CLASS 5	CLASS 5
Adjustable to LPG	Yes	Yes	No
Max horizontal flue*	9m	8m	6m
Max vertical flue*	7.5m	7.5m	7.5m
Powered vertical flue†	22m	22m	22m
Condensing boiler	Yes	Yes	Yes
Seasonal space heating efficiency class	A	A	A
Rated heat output kW	24	24	24
Seasonal space heating energy efficiency $\eta_{son}$ %	93	93	93
Sound power level, indoors L <sub>WA</sub> dB	45	45	44
Water heating energy efficiency class	A	A	A

**Available** Flue Extensions 0.5m, 1m and 2m. Multiple flue kits available.

\* Each 90° elbow used is at the expense of 1000mm of straight flue run, and each 45° elbow is used at the expense of 600mm of straight flue run.

† Typical combined primary and secondary length. See installation instructions for more details. Note: The Flue Deflector Kit is used at the expense of 1000mm of straight flue run.