



eran industrial.

# THE **DUSK TO DAWN.** LED AREA LIGHT



## DTD SERIES



THE **DUSK TO DAWN.**  
LED AREA LIGHT

	20W	<b>DTD430</b>
	40W	<b>DTD440</b>
	70W	<b>DTD450</b>

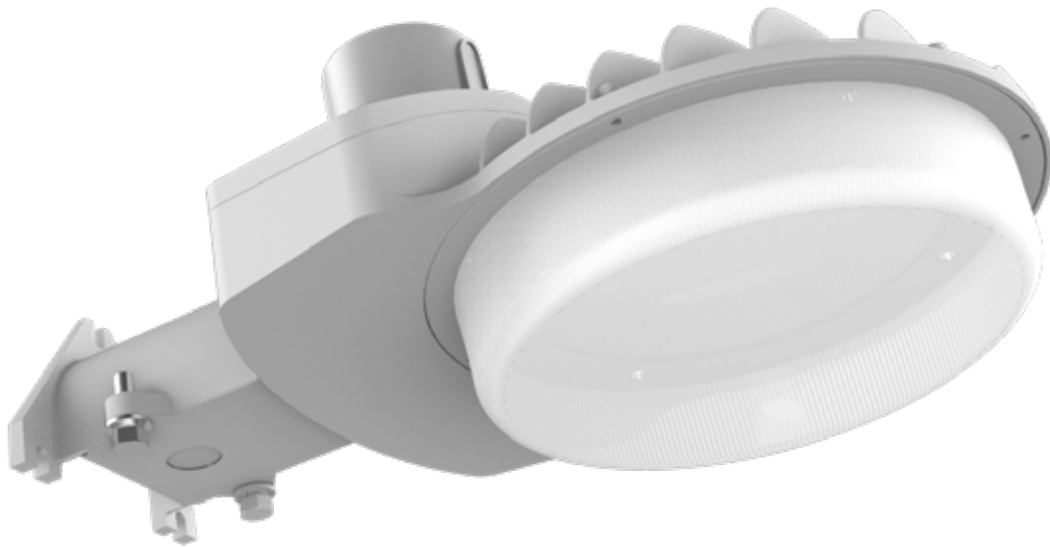
A wide-angle photograph of a modern city street at night. The street is paved with asphalt and features white crosswalk lines and a yellow center line. On the left, a tall building with a facade of vertical blue light strips stands prominently. To the right, another building with a glass facade is illuminated with blue light. Streetlights with multiple lamps are visible along the road, casting a warm glow. The sky is a deep blue, and the overall atmosphere is futuristic and high-tech.

**WE CONTINUE TO  
BRING ADVANCED  
LED TECHNOLOGY  
TO THE LIGHTING  
INDUSTRY.**

# THE **DUSK TO DAWN.**

## PRODUCT OVERVIEW

UL wet listed die-cast aluminum construction with impact resistant UV Stabilized polycarbonate linear prismatic lens complete with stainless steel hardware. Can mount direct to wall or pole or 24" arm extension arm mount an optional. Alternate junction box mounting possible via universal mounting ring. Ingress resistant gasket included.



### **LIGHT SENSOR**

Automatic Night time ON / Day time OFF  
Photocell with included twist-on cap  
to deactivate dusk-to-dawn functionality

### **STRONG HOUSING**

Die cast aluminum construction

### **GLARE-FREE**

Frosted vandal-resistant  
Polycarbonate lens

### **VERSATILE MOUNTING OPTIONS**

Included hardware for wall mount,  
Wood pole mount, and pipe arm mount

### **MAINTENANCE-FREE**

Premium LEDs lasting over 50,000 hours



# THE **DUSK TO DAWN.**

PRODUCT PICTURES

**DTD430**  
**20W**



**DTD440**  
**40W**



**DTD450**  
**70W**

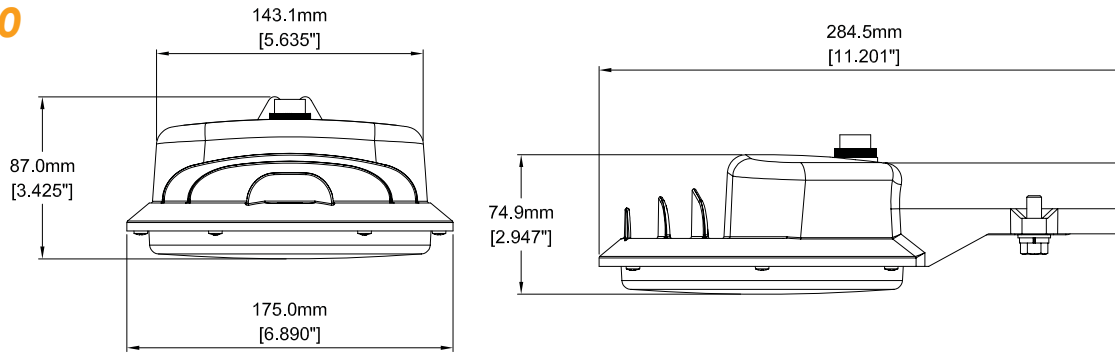


# THE DUSK TO DAWN.

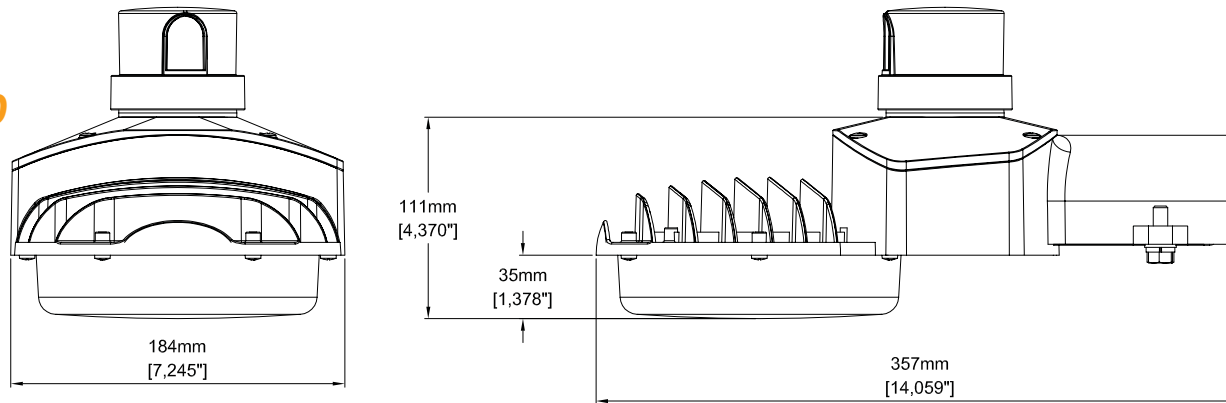
PRODUCT LINE DRAWING



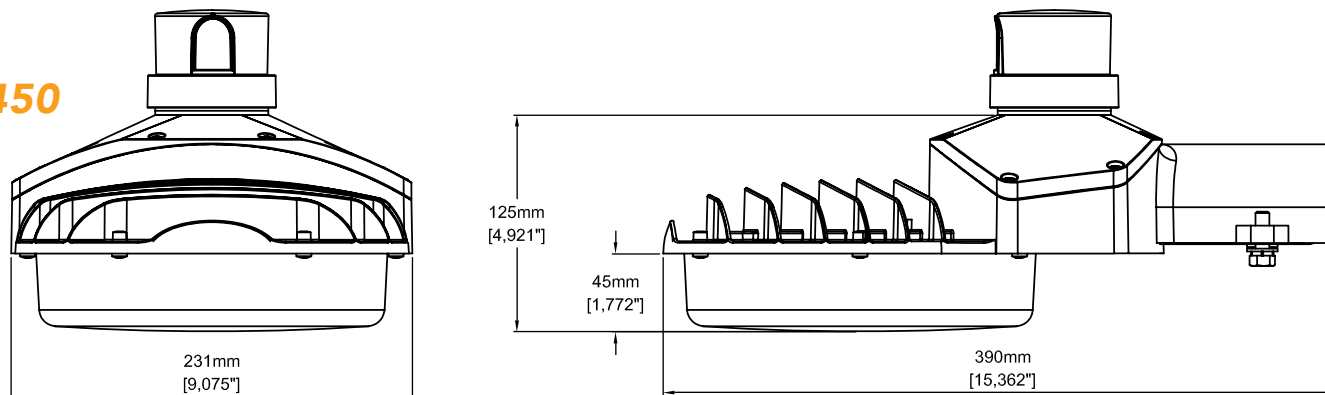
## DTD430 20W



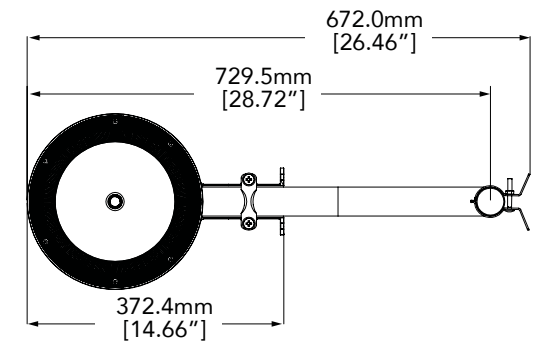
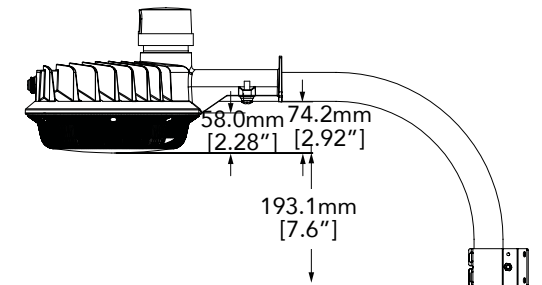
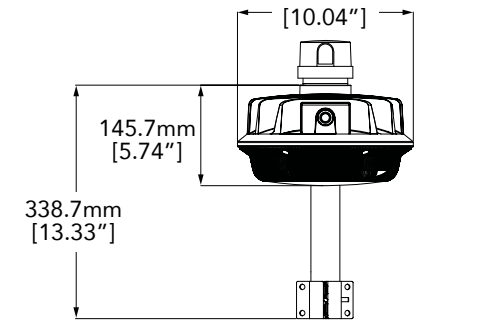
## DTD440 40W



## DTD450 70W



## MOUNTING OPTIONS



# THE **DUSK TO DAWN.**

## PRODUCT SPECIFICATIONS



**DTD430**  
20W



**DTD440**  
40W



**DTD450**  
70W

## SPECIFICATION & VARIATIONS

Sample

DTD430-20W-40K-V8-P1-S1-BZ-24

BODY TYPE	SYSTEM WATTAGE	CCT	VOLTAGE	ELECTRICAL (PHOTOCELL)	SURGE PROTECTOR	HOUSING FINISH	MOUNTING
<b>DTD430-</b>	<b>20W -</b>	<b>40K -</b>	<b>V8 -</b>	<b>P1 -</b>	<b>S1 -</b>	<b>BZ -</b>	<b>24 -</b>
DTD430	20W	40K = 4000K	V1 = 120V	P1 = 120V Swivel	NA = None	BZ = Bronze	24 = 24" Arm
DTD440	40W	50K = 5000K	V2 = 208V	P2 = 277V Swivel	S1 = Surge	WH = White	NA = None
DTD450	70W		V3 = 220V	P3 = 120-277V Swivel	Protector	BK = Black	
			V4 = 240V			SL = Silver	
			V5 = 277V			GY = Gray	
			V6 = 347V				
			V8 = 120-277V				

**BUILD YOUR ORDER SKU NUMBER** - If you don't see a specific feature listed above, please contact your regional sales representative for details about custom made to order (MTO) luminaires.





## PRODUCT SUMMARY

LED Chip:	Philips® Lumileds LED's and YG® driver technology
CRI:	≥70
Warranty:	Warranty: 5 Years (terms and conditions apply).
Ambient Operating Range:	-30°C to 40°C
Rated Life:	More than 100K hours per L70 TM-21 @ 70 °C
Dimensions:	DTD430: 12.87"x8.58"x4.92", DTD440: 15.90"x10.51"x6.38", DTD450: 17.24"x11.73"x6.85"
Weight:	DTD430: 2.20 lbs, DTD440: 3.85 lbs, DTD450: 5.28 lbs
Electrical:	120-277V operation, 50/60Hz, Single Driver RoHS and IP65
Application:	Ideal for Warehouses, Residential Complex, Highway



# THE **DUSK TO DAWN.**

## PRODUCT SPECIFICATIONS



**DTD430**  
20W



**DTD440**  
40W



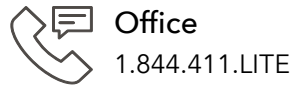
**DTD450**  
70W

THE DUSK TO DAWN	CCT	SYSTEM WATTAGE	LED WATTAGE	LUMENS (LMS)	LUMENS PER WATT	REPLACES (MH)	CRI	VOLTAGE
	40K	20W	18W	2200	110	70W	≥70	120-277
		40W	36W	4400	110	120W		
		70W	63W	8050	115	120W		



## Ready to Order or have any questions?

Contact us for any additional information, such as IES documentation and lighting specification Sheets, or please visit us online at: [www.eranindustrial.com](http://www.eranindustrial.com)



Office

1.844.411.LITE



Sales

[sales@eranindustrial.com](mailto:sales@eranindustrial.com)

### Office Location.



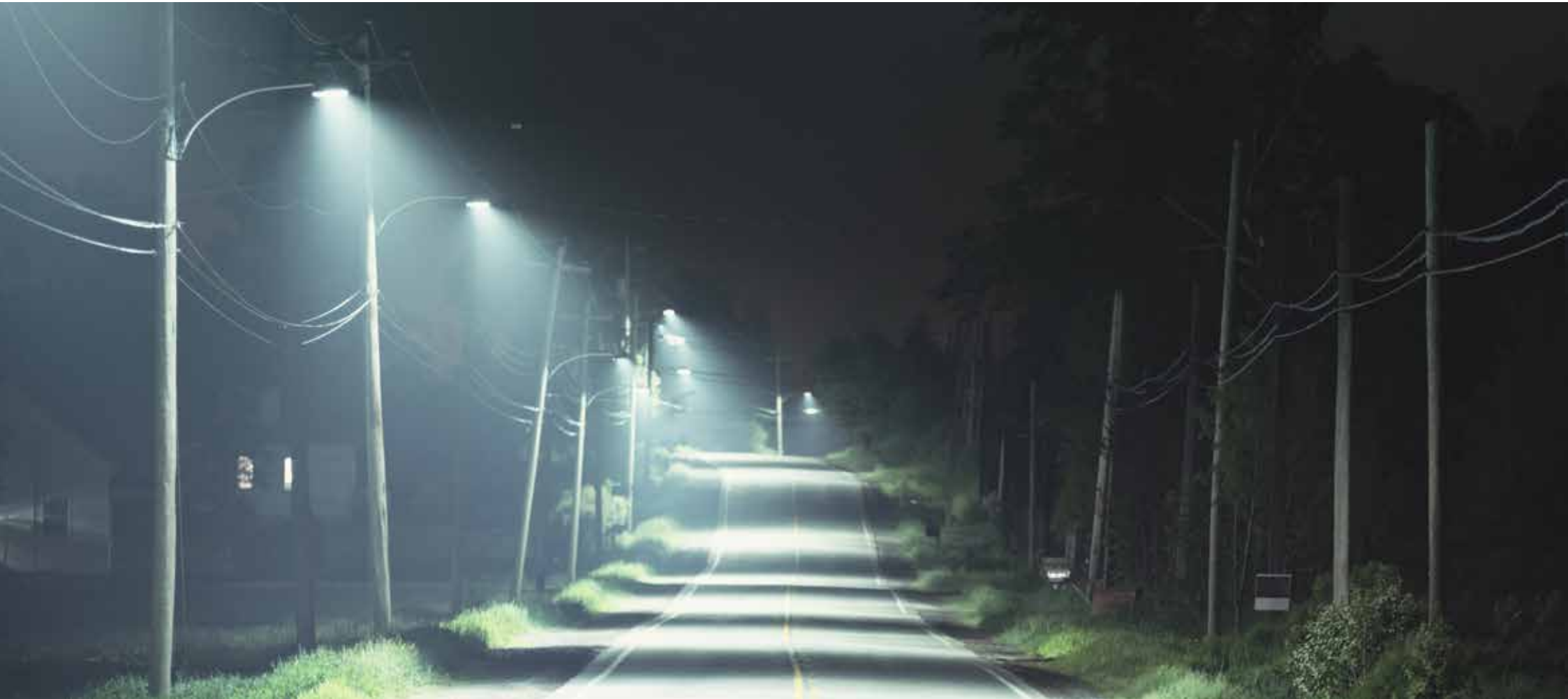
USA Office

3500 NW 2nd Avenue,  
Ste 717 Boca Raton,  
Florida 33431



CHINA Headquarters

17/F Guangbo Mansion  
#1357 Yinxian Avenue  
Yinzhou District  
Ningbo, China 315100





**eran** industrial.