



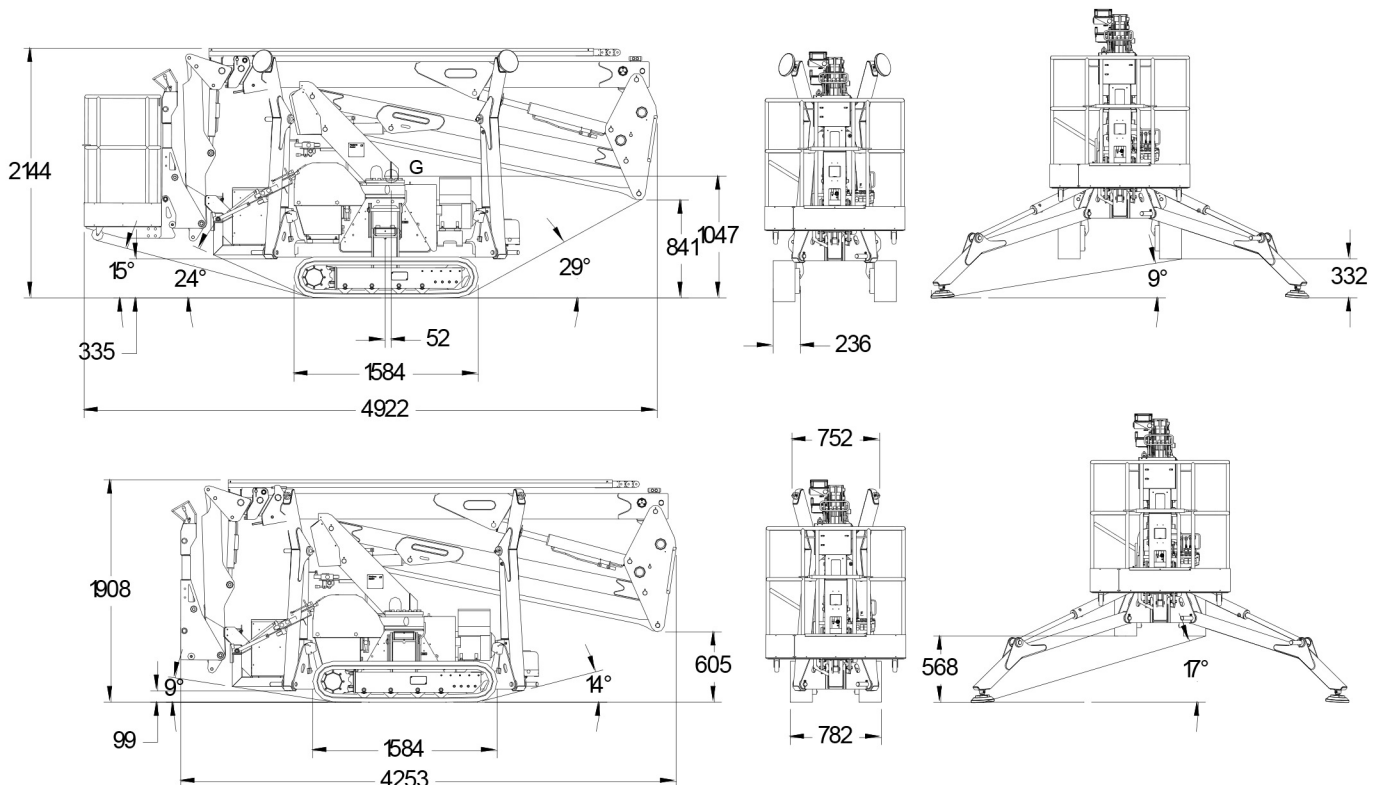
Technical Data Spider 18.75 Tracked Access Platform

Tel: 01274 666 676 Fax: 01274 669 000 Email:sales@trackedaccessplatforms.com Web:www.trackedaccessplatforms.com

Working Height	17.80m
Basket floor Height	15.80m
Max outreach	7,50m
Turret Rotation	360°
Basket dimensions	1200mm x 660mm x 1100mm
Max working load	200kg
Length in stowed position	4253 mm without cage, 4922 mm with cage
Min. Stowed width	782mm
Min. stowed height	1910mm
Outriggers footprint	3000mm x 3650mm
Driving speed	2,0 KMH
Petrol Engine (Honda)	13hp
Diesel Engine (Yanmar—Hatz)	10hp
Max gradeability	24° (44%)
Max lateral gradeability	18° (30%)
Total weight	2050kg
Ground tracks load	4.26 N/cm2
Max pressure on ground (Working condition)	1400 daN

OPTIONS

Electric power pack	240v AC, 110v AC, 415v 3phase
---------------------	-------------------------------





Spider 18.75 Working Envelope

