A circular logo with a dark background. The outer ring contains the text "SO PURE BEVERAGE TECH SOLUTIONS" at the top and "PERFECTION THROUGH PASSION" at the bottom. In the center is a gear-like shape with a stylized letter "P" inside.

S O P U R E<sup>®</sup>  
BEVERAGE TECHNOLOGY

OUT OF THE DARKNESS COMES PURE PERFECTION  
DRINKS CENTER COLLECTION



OUT OF THE DARKNESS COMES PURE PERFECTION



The So Pure Drinks Centres and Base Units epitomises the So Pure ethos, perfection through passion. With the drinks centre defining the new generation of walk-up beverage technology. Its cutting edge design, durable materials and robust construction will ensure that the So Pure Drinks Centre will be a beverage destination for any business.

The So Pure Base Units capture an alternative beverage focal point location, created with the same passion and attention to detail, offering you that prestigious drinking journey no matter the space. Unit styles are designed to be compatible with the So Pure range of beverage machines, creating a central destination point for drinks.

## THE QUALITY IS IN THE FINISH

The So Pure Drinks Centre includes a choice of Borg & Overstrom Boste counter top water dispensers which can dispense instant ambient, cold or sparkling water, while our base units include optional USB & wireless mobile charge points. Externally captured within a high grade Egger Dark Olive Wood finish, creating that contemporary look only So Pure can provide.

**To find out more about the So Pure Drinks Centre visit  
[So-PureCoffee.co.uk](http://So-PureCoffee.co.uk)**

S O P U R E  
BEVERAGE TECHNOLOGY



SO PURE DRINKS CENTRE

Out Of The Darkness Comes Pure Perfection

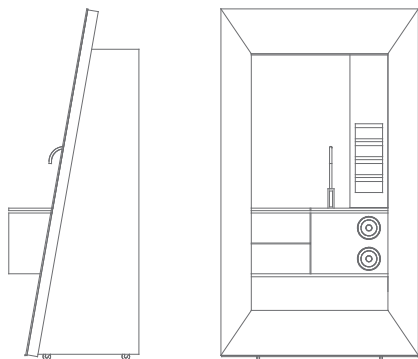
---

# SO PURE DRINKS CENTRE

## Out Of The Darkness Comes Pure Perfection

Sculpted using only the finest durable materials and robust construction will ensure that the So Pure Drinks Centre will be a beverage destination for any business.

Designed to be compatible with the So Pure range of beverage units, the Drinks Centre is a central destination point for hot and cold drinks.



## FEATURES

### General:

---

- Black MFC frame, black gloss acrylic bonded to face
- Cupboard finished all sides in Egger Dark Olive wood laminate
- Push catch doors
- Concealed bin
- Cup dispensers
- Concealed LED lighting
- Mounted on 4 swivel castors
- 18mm black MFC carcass with access at back to services

### Borg & Overstrom, Boste Tap choice of:

- Boste BK5, chilled and still water
- Boste BK9, chilled and sparkling water

### Options:

---

- With or without chilled water
- Acrylic frame available in different colours\*
- Customer branding available
- Black Corian worktop
- Cup warmer unit\*\*

### Dimensions:

---

Front elevation: W1300mm H2316mm

Side elevation: Carcass height 2010mm

Acrylic frame height 2318mm set on a 10° angle  
(actual height 2316mm)

Depth: 746mm (857mm deepest point)

\* Dependant on quantity

\*\* Available instead of chilled water feature

Drinks Center showing Platinum Instant (not included)





# SO PURE NARROW DRINKS CENTRE

From Perfection Came Purification

---

# SO PURE NARROW DRINKS CENTRE

## From Perfection Came Purification

Created from the So Pure Drinks Centre, the narrow option provides function and form to suit alternative sized environmental locations.

Still defined by the So Pure ethos of finest materials and craftsmanship, using Egger Dark Olive wood laminate and elegant concealed LED lighting, set within a full bodied construction.

Harmonious styled to work alongside the So Pure range of beverage units. Day or night the Narrow Drinks Centre provides a distinguished drinking portal.

## FEATURES

### General:

---

- Black MFC frame, black gloss acrylic bonded to face
- Cupboard finished all sides in Egger Dark Olive wood laminate
- Cup dispensers
- Concealed LED lighting
- Mounted on 4 swivel castors
- 18mm black MFC carcass with access at back to services

### Options:

---

- Acrylic frame available in different colours\*
- Customer branding available
- Black Corian worktop

### Dimensions:

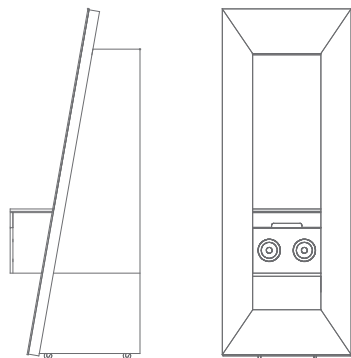
---

Front elevation: W850mm H2316mm

Side elevation: Carcass height 2010mm

Acrylic frame height 2318mm set on a 10° angle  
(actual height 2316mm)

Depth: 746mm (857mm deepest point)



\* Dependant on quantity  
Drinks Center showing Platinum Instant Touch (not included)



The decadence of a sip  
can only be created by the  
aroma of quality and craftsmanship





# SO PURE MEDIUM CURVE BASE UNIT

a seamlessly fit of inspiration,  
within a every changing world

## FEATURES

### General:

---

- Base unit finished all sides in Egger Dark Olive wood laminate
- Soft closing condiments draw
- Concealed bin
- Cup dispensers
- Rear storage area
- Mounted on 4 swivel castors
- 18mm black MFC carcass with access at back to services

### Options:

---

- Wireless/Bluetooth mobile phone charging points
- Customer branding available
- Black Corian worktop

### Dimensions:

---

Base unit height 950mm  
(actual height including back panel 1800mm)

Width: 720mm

Depth: 800mm



# SO PURE LED BASE UNIT

enlighten the aroma to  
experience the flavour

## FEATURES

### General:

---

- Cupboard finished all sides in Egger Dark Olive wood laminate
- Soft closing condiments draw
- Cup dispensers
- Concealed LED base lighting
- Adjustable feet
- 18mm black MFC carcass with access at back to services

### Options:

---

- Customer branding available
- Custom colour LED lighting
- Wireless/Bluetooth mobile phone charging points
- Black Corian worktop

### Dimensions:

---

Height: 960mm

Width: 450mm

Depth: 690mm



# SO PURE NARROW BASE UNIT

when space is a premium  
never fulture on location

## FEATURES

### General:

---

- Cupboard finished all sides in Egger Dark Olive wood laminate
- Soft closing condiments draw
- Cup dispensers
- Adjustable feet
- 18mm black MFC carcass with access at back to services

### Options:

---

- Customer branding available
- Black Corian worktop
- Wireless/Bluetooth mobile phone charging points

### Dimensions:

---

Height: 960mm

Width: 450mm

Depth: 690mm

# S O P U R E<sup>®</sup>

BEVERAGE TECHNOLOGY

From design through to manufacture we are committed to creating the perfect product for your business, and when coffee is your business you shouldn't settle for anything less than pure brewing perfection. Which is why we think there is only So Pure.

[WWW.SO-PURECOFFEE.CO.UK](http://WWW.SO-PURECOFFEE.CO.UK)



borg &  
overström

Unit 30, Calibre Ind. Park, Laches close, Off Enterprise Drive, Four Ashes, Wolverhampton, WV10 7DZ  
Phone: +44 (0)1902 - 79 86 06 [sales@so-purecoffee.co.uk](mailto:sales@so-purecoffee.co.uk)