



CANOPYPRODUCTS
QUALITY IS OUR TRADITION



The mark of
responsible forestry



**METAL BASED
PRODUCTS**
PRODUCT CATALOGUE
2017



Metal Based Products

Canopy Products produce stock products to the building industry on a contract and next day basis. With a 7 day turnaround on bespoke joinery products, we can help bring the finishing touches to your building projects.



Paul Taylor

Sales Director

The Canopy Products principle of becoming the first-choice supplier to fully satisfy customer requirements has enabled us to offer a range of building products to a growing number of customers including blue-chip organisations, major house builders right through to start-ups and one man businesses.

We now offer a comprehensive nationwide service of over 200+ stocked building products delivered next day.

Paul Taylor

STANDARD CANOPY PRODUCTS

STOCK PRODUCTS DISPATCHED THE SAME DAY.

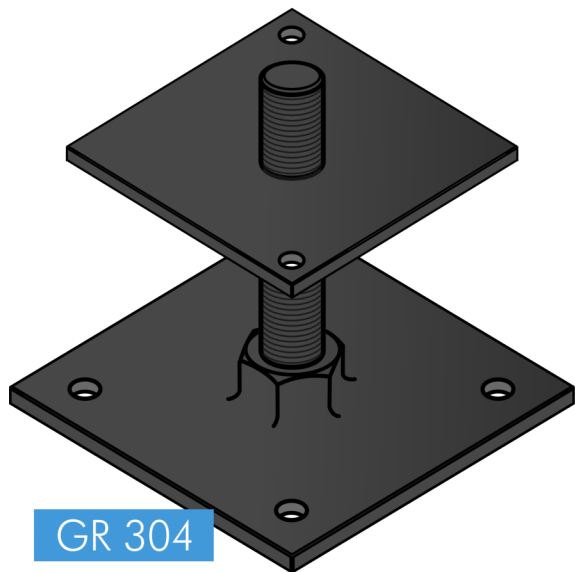
- DISCOUNTS APPLY FOR BULK ORDERS/TRADE.
- TERMS, PRO FORMA INVOICE, CHEQUE WITH ORDER, PAY PAL OR CREDIT CARD.
- THE GOODS AND A V.A.T. INVOICE WILL BE DISPATCHED ON RECEIPT OF PAYMENT.
- ALL OUR WOOD PRODUCTS ARE NOW TREATED WITH AN INDUSTRIAL WOOD PRESERVATIVE AS DEFINED IN BS/EN 335-1:1994. THE PRODUCT PROTECTS THE WOOD SURFACE AGAINST WOOD DESTROYING AND WOOD DISCOLOURING FUNGI AND SATISFIES THE PERFORMANCE REQUIREMENTS OF EN599-1. THIS ALLOWS THE PRODUCT TO BE STAINED/PAINTED ON SITE.
- S.W.L. IS THE SAFE WORKING LOAD FOR EACH PRODUCT
- PRICES ARE EXCLUDING PACKING, CARRIAGE AND V. A. T. PLEASE TELEPHONE FOR CARRIAGE COSTS. IF THE PRODUCT YOU NEED IS NOT LISTED, WE CAN MAKE IT TO YOUR SPECIFICATION
- OUT OF STOCK ITEMS SEVEN-DAY DISPATCH.
- CANOPY PRODUCTS HAS BEEN ABLE TO MAKE AND SELL FSC® CERTIFIED PRODUCTS SINCE 2010. TIMBER PRODUCTS PRE-FIXED "F" ARE FSC CERTIFIED (FSC® C005564).

WE ACCEPT

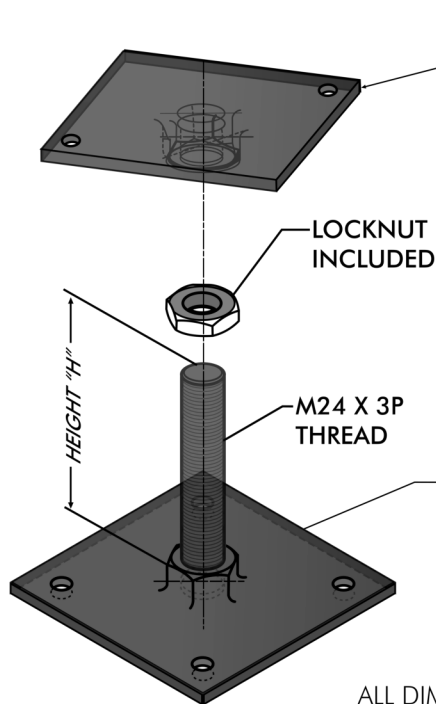


GR 304 STAINLESS STEEL PLATE POST BASES - HEIGHT ADJUSTABLE

SEE OUR FIXING KITS ON PAGE 9



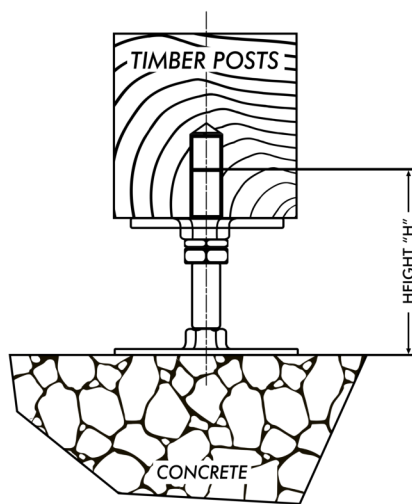
GR 304



CODE	PLATE SIZE	HOLES	WEIGHT
P1	80 X 80 X 6	2 OFF-DIA6	0.4 KG
P2	123 X 123 X 6	2 OFF-DIA6	0.8 KG
P3	150 X 150 X 6	2 OFF-DIA6	1.2 KG

CODE	HEIGHT "H"	PLATE SIZE	HOLES	WEIGHT	SWL
SSB1	150	150 X 150 6	4 OFF - DIA 12	1.7 KG	306 KG
SSB2	250	150 X 150 6	4 OFF - DIA 12	2.1 KG	165 KG
SSB3	330	150 X 150 6	4 OFF - DIA 12	2.4 KG	110 KG
SSB4	500	150 X 150 6	4 OFF - DIA 12	3.0 KG	52 KG

FOR PRICES REFER TO THE POST BASE PRICE ON PAGE 9



ALL DIMENSIONS IN mm

SWL ARE CALCULATED USING A FACTOR OF SAFETY OF SIX

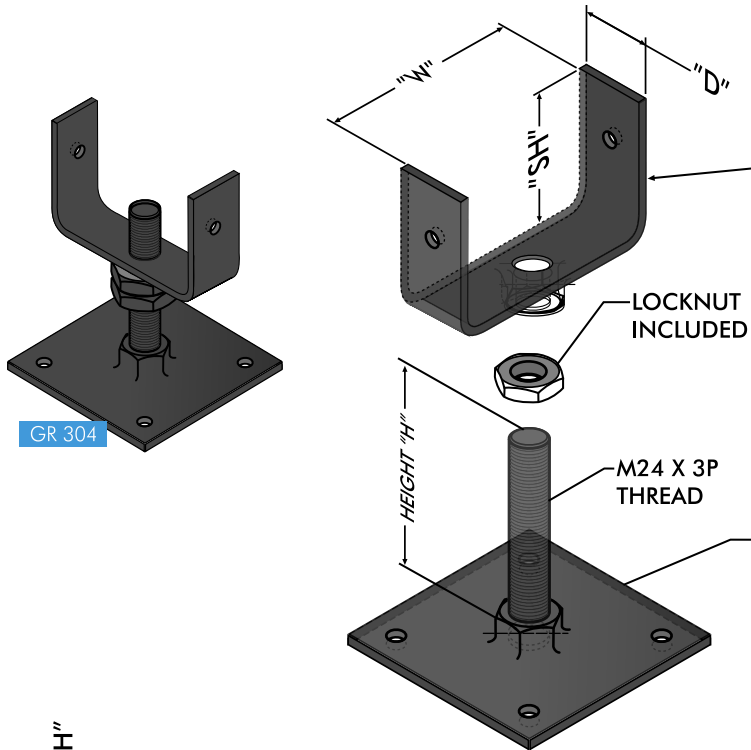
"MIX & MATCH" BASEPLATES (SSB) AND TOP PLATE TO SUIT YOUR REQUIREMENTS

USE CODES FROM THE TABLES ABOVE TO COMPOSE YOUR REQUIRED ORDER CODE
TYPICAL ORDER CODE:- SSB1S1 (M24 LOCKNUT IS INCLUDED)

When fixing please ensure the final height position is achieved prior to locking up the the M24 locknut as stainless steel threads have a tendency to "pick up" when undone after tightening. A small amount of "copper slip" or similar anti seize lubricant on the threads withing the nut would help prevent threads "pick up".

GR 304 STAINLESS STEEL PLATE STIRRUP BASES - HEIGHT ADJUSTABLE

SEE OUR FIXING KITS ON PAGE 7



CODE	"SH"	"W"	"D"	HOLES	WEIGHT
S1	80	94	50	2 OFF-DIA11	0.7 KG
S2	120	144	50	2 OFF-DIA11	0.9 KG
S3	120	194	70	2 OFF-DIA11	1.4 KG

CODE	HEIGHT "H"	PLATE SIZE	HOLES	WEIGHT	SWL
SSB1	150	150 X 150 X 6	4 OFF - DIA 12	1.7 KG	306 KG
SSB2	250	150 X 150 X 6	4 OFF - DIA 12	2.1 KG	165 KG
SSB3	330	150 X 150 X 6	4 OFF - DIA 12	2.4 KG	110 KG
SSB4	500	150 X 150 X 6	4 OFF - DIA 12	3.0 KG	52 KG

FOR PRICES REFER TO THE POST BASE PRICE LIST AT THE END OF THIS SECTION

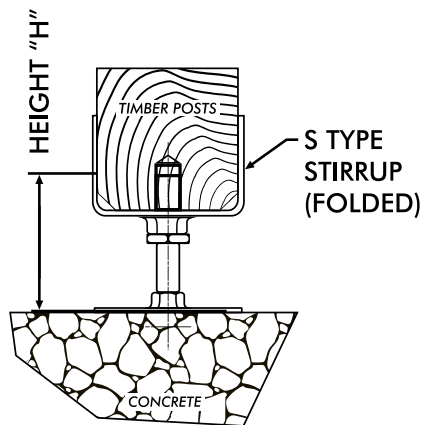
ALL DIMENSIONS IN mm

SWL ARE CALCULATED USING A FACTOR OF SAFETY OF SIX

"MIX & MATCH" BASEPLATES (SSB) AND STIRRUP (S) TO SUIT YOUR REQUIREMENTS

USE CODES FROM THE TABLES ABOVE TO COMPOSE YOUR REQUIRED ORDER CODE
TYPICAL ORDER CODE:- SSB1S1 (M24 LOCKNUT IS INCLUDED)

When fixing please ensure the final height position is achieved prior to locking up the the M24 locknut as stainless steel threads have a tendency to "pick up" when undone after tightening. A small amount of "copper slip" or similar anti seize lubricant on the threads withing the nut would help prevent threads "pick up".

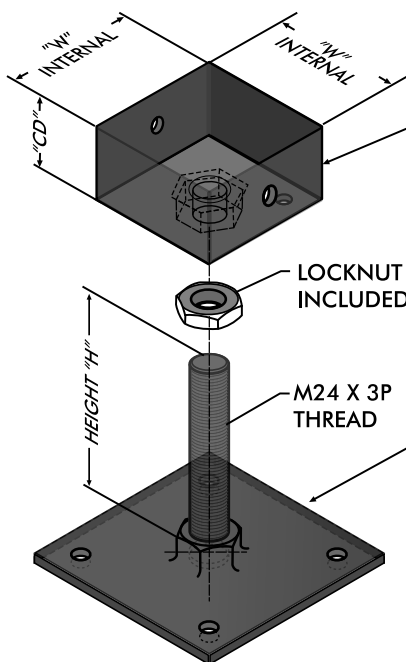
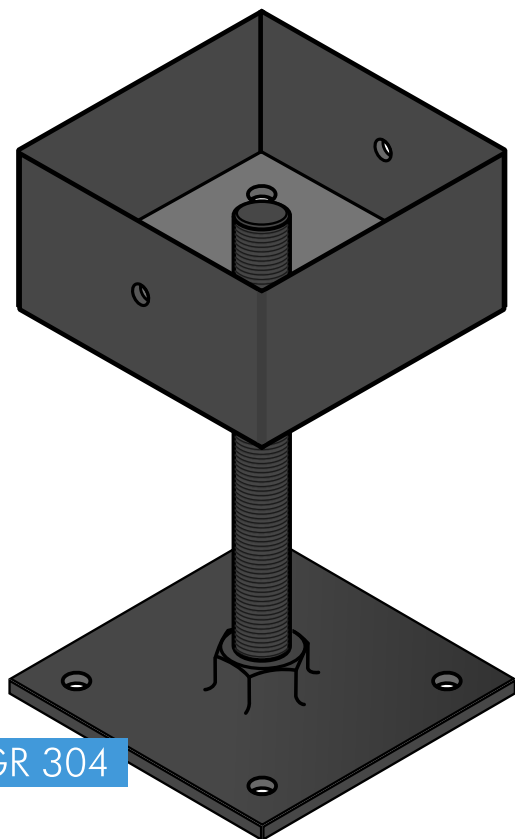


SCAN QR CODE
TO VISIT OUR
METAL BASES
RANGE



GR 304 STAINLESS STEEL PLATE CUP POST BASES - HEIGHT ADJUSTABLE

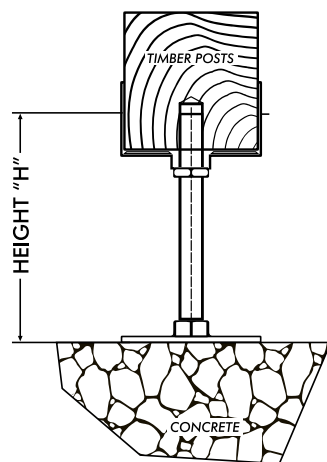
SEE OUR FIXING KITS ON PAGE 7



CODE	"CD"	"W"	HOLES	WEIGHT
C1	60	94	2 OFF DIA 7	0.7KG
C2	80	144	2 OFF DIA 11	1.6KG

CODE	HEIGHT "H"	PLATE SIZE	HOLES	WEIGHT	SWL
SSB1	150	150 X 150 X 6	4 OFF - DIA 12	1.7 KG	306 KG
SSB2	250	150 X 150 X 6	4 OFF - DIA 12	2.1 KG	165 KG
SSB3	330	150 X 150 X 6	4 OFF - DIA 12	2.4 KG	110 KG
SSB4	500	150 X 150 X 6	4 OFF - DIA 12	3.0 KG	52 KG

FOR PRICES REFER TO THE POST BASE PRICE LIST AT THE END OF THIS SECTION



ALL DIMENSIONS IN mm

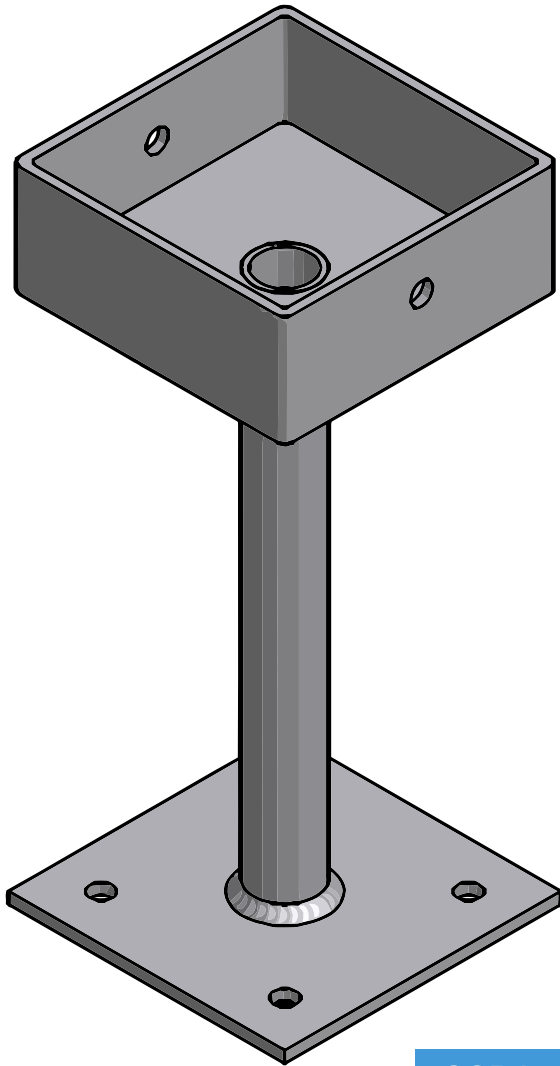
SWL ARE CALCULATED USING A FACTOR OF SAFETY OF SIX

"MIX & MATCH" BASEPLATES (SSB) AND CUPS TO SUIT YOUR REQUIREMENTS

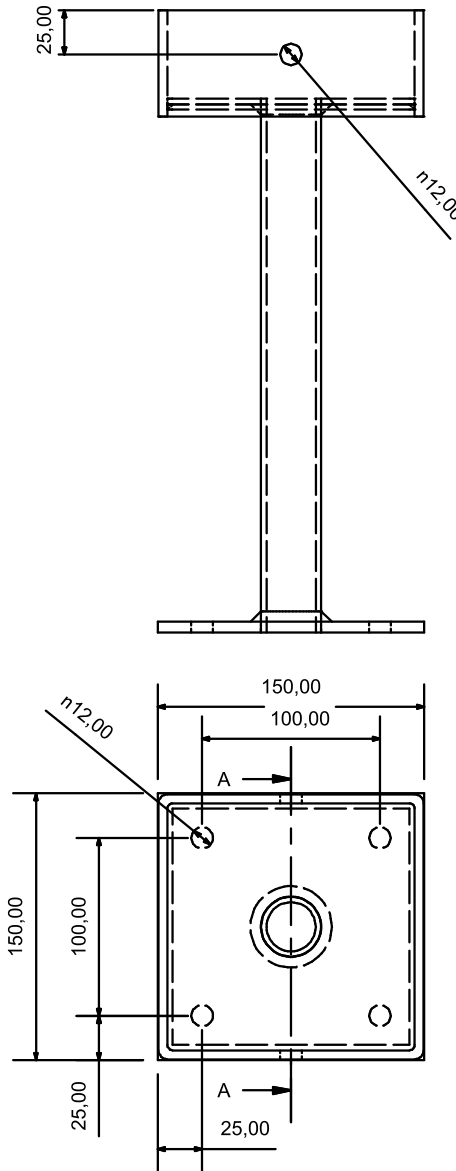
USE CODES FROM THE TABLES ABOVE TO COMPOSE YOUR REQUIRED ORDER CODE
TYPICAL ORDER CODE:- SSB1S1 (M24 LOCKNUT IS INCLUDED)

When fixing please ensure the final height position is achieved prior to locking up the the M24 locknut as stainless steel threads have a tendency to "pick up" when undone after tightening. A small amount of "copper slip" or similar anti seize lubricant on the threads withing the nut would help prevent threads "pick up".

SSBA STAINLESS STEEL PLATE CUP POST BASES - HEIGHT ADJUSTABLE



SSBA



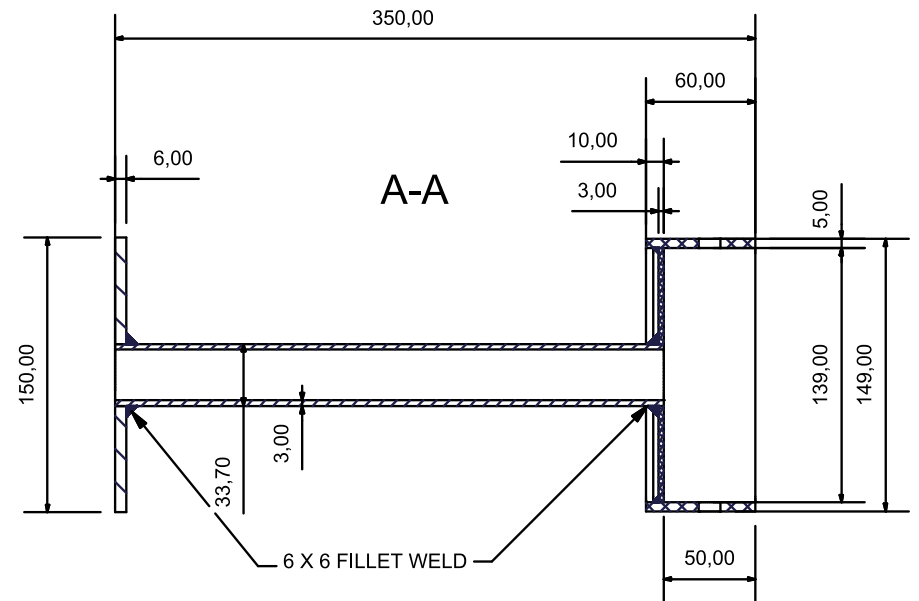
SSBA STAINLESS STEEL PLATE CUP POST BASES (TO TAKE A 139MM X 139MM POST ACCOYA)

OUR RANGE OF STAINLESS STEEL POST BASES ARE DESIGNED TO BE RESISTANT TO EXTREME EXPOSURE TO THE ELEMENTS. BY KEEPING THE TIMBER POST ABOVE THE GROUND LEVEL OUT OF THE DAMP AREAS AND ALLOWING THE POST FOOT TO DRY OUT AFTER RAIN IT HELPS PREVENT DECAY AND PROLONG THE LIFE OF THE POST.

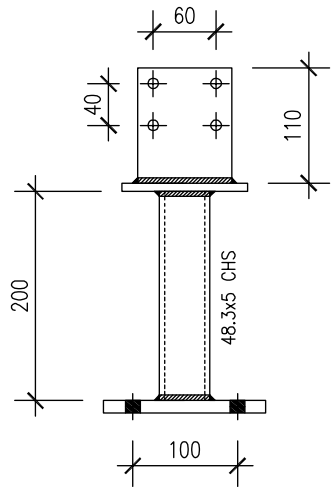
BOTTOM PLATE 150MM X 150MM, CUP 60MM HIGH, POST CUP INTERNAL 139MM X 139MM, SWL , WEIGHT 2.5KG-SSBA

FOR PRICES REFER TO THE POST BASE PRICE LIST AT THE END OF THIS SECTION

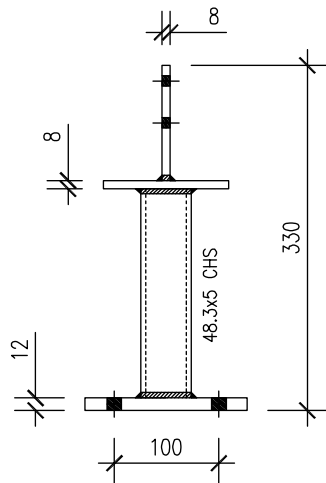
Notes:
To be a Welded Construction.



GR 304 STAINLESS STEEL PLATE CUP POST BASES - HEIGHT ADJUSTABLE



SIDE ELEVATION



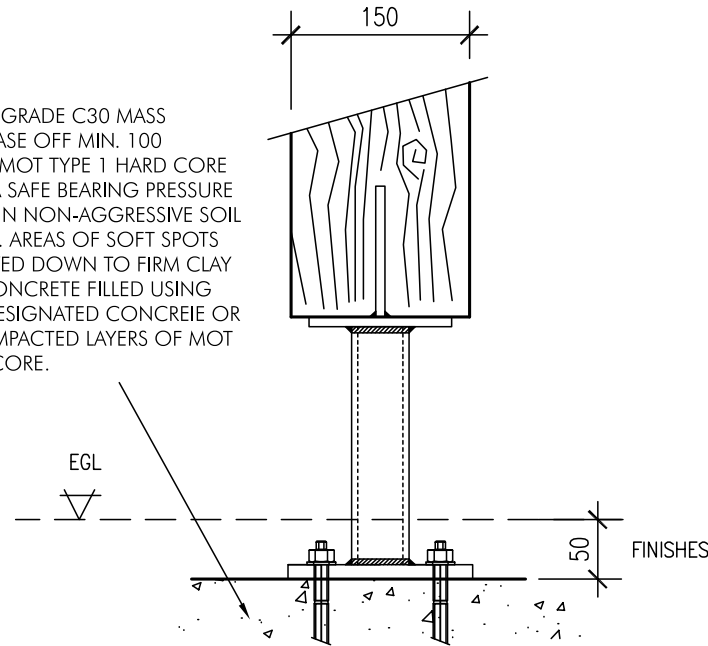
FRONT ELEVATION

650x650x300 GRADE C30 MASS CONCRETE BASE OFF MIN. 100 COMPACTED MOT TYPE 1 HARD CORE TO ACHIEVE A SAFE BEARING PRESSURE OF 30kN/m² IN NON-AGGRESSIVE SOIL CONDITIONS. AREAS OF SOFT SPOTS TO BE REMOVED DOWN TO FIRM CLAY AND MASS CONCRETE FILLED USING MIN. GEN1 DESIGNATED CONCRETE OR MAX 150 COMPACTED LAYERS OF MOT TYPE 1 HARD CORE.

FIN PLT.
90X110X8 THK.
5CFW
4 NO 10Ø HOLES
15 EDGE DISTANCE

48.3x5 CHS BASE PLT.
120X120X8 THK.
5CFW

48.3x5 CHS BASE PLT.
155x155x12 THK.
5CFW
4 NO. 14Ø HOLES AT 100 C/C's
28 EDGE DISTANCE
FOR 4 NO. M12 STAINLESS STEEL STUD ANCHORS INSTALLED IN STRICT ACCORDANCE WITH MANUFACTURERS INSTRUCTIONS.



FOUNDATION DETAIL

SCAN THE QR CODE TO VISIT MORE METAL PRODUCTS ONLINE



GENERAL NOTES

1. ALL DIMENSIONS ARE IN MILLIMETRES UNLESS NOTED OTHERWISE.
2. DRAWINGS ARE NOT TO BE SCALED.
3. ALL MATERIAL TO BE GRADE 1.4301 (304) STAINLESS STEEL TO BS EN 10088-2.
4. CHS TO BE BRUSHED POLISHED FINISH.
5. ALL FIXINGS TO BE STAINLESS STEEL TO PREVENT 81—METALLIC CORROSION.
6. THE BASE PLATE AND FOUNDATION DESIGN HAS BEEN BASED ON THE FOLLOWING DESIGN PARAMETERS OUTLINED BELOW. FOR PARAMETERS OUTSIDE THESE MAXIMUMS SEEK THE ADVICE OF A STRUCTURAL ENGINEER:

a) CANOPY ROOF DIMENSIONS 2.2x1.2m ON PLAN OUT OF TIMBER TRUSSES WITH PLYWOOD DIAPHRAGM WITH CONCRETE/SLATE TILES OVER FIXED SECURELY TO BUILDING WALL.

b) 2 NUMBER 150x150x2.4m MAX. EUROPEAN OAK CANOPY POSTS.

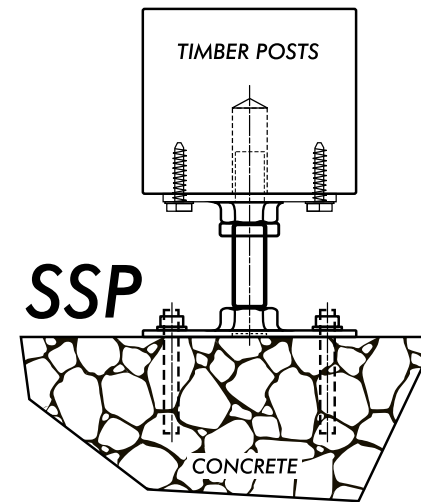
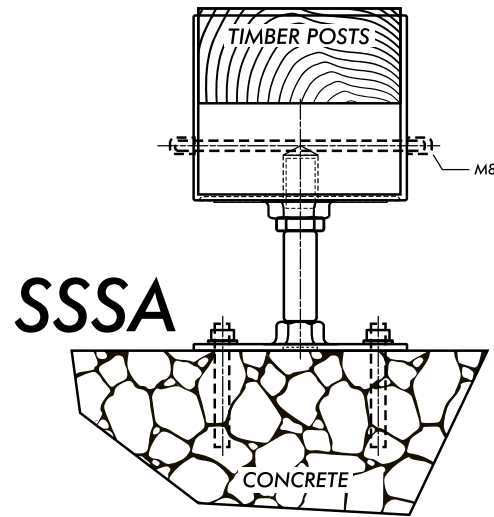
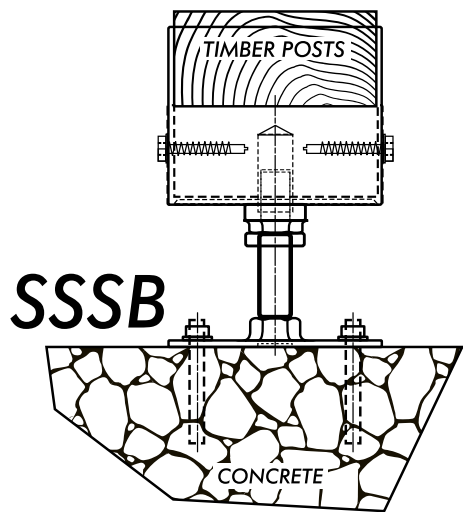
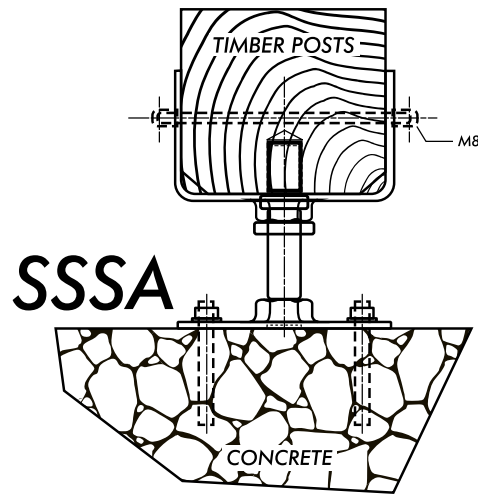
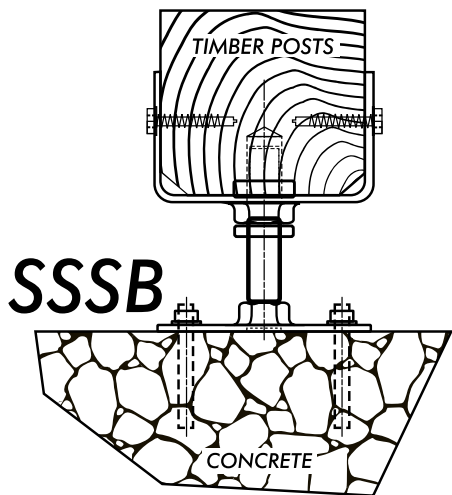
c) SITE WIND SPEED OF 29m/s (DYNAMIC PRESSURE = 0.8kN/m²) WITH NO SIGNIFICANT SITE TOPOGRAPHY.

d) MAXIMUM COMBINED UNFACTORED CHARACTERISTIC FORCES APPLIED TO BASE POST:

AXIAL LOAD OF 2.36kN (240kg)

LATERAL LOAD OF 3.4kN (346kg)

GR 304 STAINLESS STEEL PLATE POST BASES - HEIGHT ADJUSTABLE



RECOMMENDED FASTENERS FOR POST BASE RETENTION

CODE	DESCRIPTION
SSSB	STIRRUP FIXING PACK
SSSA	STIRRUP FIXING PACK
SSSB	CUP FIXING PACK
SSSA	CUP FIXING PACK
SSP	PLATE FIXING PACK

WHEN FIXING PLEASE ENSURE THE FINAL HEIGHT POSITION IS ACHIEVED PRIOR TO LOCKING UP THE THE M24 LOCKNUT AS STAINLESS STEEL THREADS HAVE A TENDANCY TO "PICK UP" WHEN UNDONE AFTER TIGHTENING. A SMALL AMOUNT OF "COPPER SLIP" OR SIMILAR ANTI SEIZE LUBRICANT ON THE THREADS WITHING THE NUT WOULD HELP PREVENT THREADS "PICK UP".

FOR
PRICES
SEE
PAGE 9

STAINLESS STEEL POST BASE PRICE LIST

PRODUCT CODE	PRICE (£)
SSB1P1	37.54
SSB1P2	40.99
SSB1P3	43.06
SSB2P1	40.47
SSB2P2	43.92
SSB2P3	45.99
SSB3P1	43.04
SSB3P2	46.85
SSB3P3	48.99
SSB4P1	49.27
SSB4P2	52.72
SSB4P3	54.78

FIXING KIT SSP	7.95
-----------------------	-------------

X 4 SS M10 THRU-BOLTS, X 2 SS POZI FLANGE
M4 WOOD SCREW

PRODUCT CODE	PRICE (£)
SSB1S1	57.98
SSB1S2	58.98
SSB1S3	64.07
SSB2S1	60.95
SSB2S2	61.93
SSB2S3	67.03
SSB3S1	63.12
SSB3S2	64.30
SSB3S3	69.20
SSB4S1	68.37
SSB4S2	69.35
SSB4S3	74.45

FIXING KIT SSSA	9.95
------------------------	-------------

X 2 M8 SS DOMED NUTS + M8 THREADED
BAR TO SUIT STIRRUP WIDTH + X4 NO M10
80MM SS THRU-BOLT

FIXING KIT SSSB	9.95
------------------------	-------------

X 2 SS COACH SCREWS, M10 X 30MM OR
50MM DEPENDENT ON STIRRUP WIDTH + 4
X M10 80MM SS THRU-BOLT

PRODUCT CODE	PRICE (£)
SSB1C1	57.09
SSB1C2	67.00
SSB2C2	73.45
SSB2C1	70.45
SSB3C1	71.44
SSB3C2	75.82
SSB4C1	76.87
SSB4C2	80.50

FIXING KIT SSSA	9.95
------------------------	-------------

X 2 M8 SS DOMED NUTS + M8 THREADED
BAR TO SUIT STIRRUP WIDTH + X4 NO M10
80MM SS THRU-BOLT




FIXING KIT SSSB	9.95
------------------------	-------------

X 2 SS COACH SCREWS, M10 X 30MM OR
50MM DEPENDENT ON STIRRUP WIDTH + 4
X M10 80MM SS THRU-BOLT




PRODUCT CODE	PRICE (£)
SSBFHO	67.00
SSBA	59.34

IMPORTANT Please note on all our range of stainless steel post bases the maximum safe height above the finished floor level



GALVANISED MILD STEEL POST BASE

PRODUCT IMAGE	CODE	PRODUCT DESCRIPTION	WEIGHT KG	S.W.L. Kn.	EX WORKS PRICE (£)
	GMS PIN.	200mm x 19 DIAMETER GALVANISED BAR. TO FIX TO BASE ANY SIZE OF POST.	0.5	N/a	4.20
	GSS_A	350mm HIGH x 150mm x 3mm BASE PLATES, TO RECEIVE A SQUARE POST 94mm X 94mm x 60mm DEEP x 3mm, WITH A 34mm DIAMETER x 3mm WALL STEEL TUBE AND A SQUARE CUP DRILLED WITH 10mm DRAIN AND COACH SCREW HOLES. THE BASE IS NOW DRILLED WITH 2 No 12mm DIA BOLT HOLES.	2.5	25	39.50
	GSF/PIN	210mm HIGH x 19mm DIAMETER BAR WITH A 90mm x 6mm SQUARE FLANGE FROM THE BASE 90mm x 6mm SQUARE. TO CARRY 94mm SQUARE POSTS.	1.5	39	29.95

GALVANISED MILD STEEL POST BASE

PRODUCT IMAGE	CODE	PRODUCT DESCRIPTION	WEIGHT KG	S.W.L. Kn.	EX WORKS PRICE (£)
	GSF/PIN0	150mm HIGH x 25mm DIAMETER BAR WITH A 90mm x 90mm x 6mm FLANGE 100mm HIGH ABOVE THE BASE, THE FLANGE HAS TWO 7mm HOLES FOR A LOCATING WOODSCREW. THE BASE IS 150mm x 150mm x 6mm SQUARE DRILLED WITH FOUR 12mm HOLES FOR FIXINGS, THE BASE IS DESIGNED TO BE FIXED TO A CONCRETE SLAB, TO CARRY 100mm SQUARE POSTS.	2.0	188	31.75
	GSF/PIN1	150mm HIGH x 25mm DIAMETER BAR WITH A 130mm x 130mm x 6mm FLANGE 10mm HIGH ABOVE THE BASE, THE FLANGE HAS TWO 7mm HOLES FOR A LOCATING WOODSCREW. THE BASE IS 150mm x 150mm x 6mm SQUARE DRILLED WITH FOUR 12mm HOLES FOR FIXINGS, THE BASE IS DESIGNED TO BE FIXED TO A CONCRETE SLAB, TO CARRY 145mm SQUARE POSTS.	2.5	188	33.50
	GSF/PIN2	200mm HIGH x 25mm DIAMETER BAR WITH A 130mm x 130mm x 6mm FLANGE 146mm HIGH ABOVE THE BASE, THE FLANGE HAS TWO 7mm HOLES FOR LOCATING WOODSCREWS. THE BASE IS 150mm x 150mm x 6mm SQUARE DRILLED FOUR 12mm HOLES FOR FIXINGS, THE BASE IS DESIGNED TO BE FIXED TO THE CONCRETE SLAB, DESIGNED TO CARRY 144mm SQUARE POSTS.	2.5	63	35.92

GALVANISED MILD STEEL POST BASE

PRODUCT IMAGE	CODE	PRODUCT DESCRIPTION	WEIGHT KG	S.W.L. Kn.	EX WORKS PRICE (£)
	GSF/PIN4	420mm HIGH x 25mm DIAMETER BAR WITH A 130mm x 130mm x 6mm FLANGE 354mm HIGH ABOVE THE BASE, THE FLANGE IS DRILLED WITH 4 12MM HOLES DRILLED IN TO THE BASE TO RECEIVE 10 MM SLEEVE BOLTS. THE BASE IS 150mm x 150mm x 6mm, THE BASE CAN BE CONCRETED INTO THE GROUND OR BUILT INTO THE MASONRY. DESIGNED TO CARRY 144mm SQUARE POSTS.	3.75	19	39.48
	GSF/PIN5	360mm HIGH x 25mm DIAMETER BAR WITH A 130mm x 130mm x 6mm FLANGE 300mm HIGH ABOVE THE BASE, THE FLANGE IS DRILLED FOR ONE 7mm HOLE TO RECEIVE A LOCATING WOODSCREW. THE BASE IS 150mm X 150mm x 6mm, THE BASE CAN BE CONCRETED INTO THE GROUND OR BUILT INTO THE MASONRY. DESIGN TO CARRY 144mm SQUARE POSTS.	3.65	19	36.00
GSA - FIXING KIT FOR GSS_A. 2 No 120mm x M10 PLATED THRU BOLTS No 30mm x M8 COACH SCREWS					5.80
GS - FIXING KIT FOR USE WITH GDF/PIN0, GSF/PIN1, GSF/PIN2 & GSF/PIN4. 4No 120mm x M10 PLATED THRU BOLTS 2 No S/S POZI FLANGE WOOD SCREWS					5.80

IMPORTANT. PLEASE NOTE ON ALL OUR RANGE OF GALVANIZED STEEL POST BASES THE MAXIMUM SAFE HEIGHT ABOVE THE FINISHED FLOOR LEVEL FOR ANY OF THE POST SUPPORTS IS. 100 MM. THE GSF/PIN0 AND GSF/PIN1 BASES MAY BE BOLTED TO THE FINISHED FLOOR SURFACE, ALL THE OTHER PRODUCTS IN THE RANGE OF POST BASES MUST BE CONCRETED INTO THE GROUND.

STANDARD DESIGN CANOPY PRODUCTS SPECIFICATION

MATERIAL

ALL WOOD PRODUCTS CONSTRUCTED FROM VthS GRADE SWEDISH RED DEAL UNLESS OTHRWISE STATED.

JOINTS

STOPPED MORTISE AND TENON GLUE & PINNED.

FINISH

PLANED ALL ROUND TIMBER. ALL CURVED SURFACES BANDSAWN AND SPINDLE MOULDER PLANNED TO PROFILE. BEVELS 10mm AND 12mm ACROSS THE FLATS. ALL SEEN SURFACES ARE TWICE SANDED (80s GRIT AND 100s GRIT) SANDPAPERS.

ASSEMBLY

GLUED COMPONENTS HAND ASSEMBLED, PNEUMATICALLY CLAMPED. ALL JOINTS SECURED WITH HEADLESS ALUMINIUM PINS.

TREATMENT AND PREPERATION

OUR TIMBER PRODUCTS ARE INSPECTED FOR FAULTS, DEAD KNOTS AND SHAKES ARE FILLED USING POLYESTER TWO PACK RESIN FILLER. ALL OUR WOOD PRODUCTS ARE NOW TREATED WITH AN INDUSTRIAL WOOD PRESERVATIVE AS DEFINED IN BS/EN 335-1:1994. THE PRODUCT PROTECTS THE WOOD SURFACE AGAINST WOOD DESTROYING AND WOOD DISCOLOURING FUNGI AND SATISFIES THE PERFORMANCE REQUIREMENTS OF EN599-1. THIS ALLOWS THE PRODUCT TO BE STAINED/PAINTED ON SITE.

PACKAGING

PRODUCTS BANDED, CORNER PROTECTED AND CLING FILM WRAPPED.

DELIVERY

NEXT DAY DISPATCH ON ALL STOCK PRODUCTS USING A NATIONAL CARRIER, WITHIN 30 WORKING DAYS FOR LARGE AND SPECIAL PRODUCTS.

STRUCTURAL SUITABILITY

SAFE WORKING LOADS ARE STATED AND STENCELED ONTO MOST OF OUR STUCTURAL PRODUCTS, CALCULATIONS SHOULD BE OBTAINED TO CHECK THE SUITABILITY OF THE PRODUCT FOR YOUR APPLICATION.



Howard Smith

Operations Director

We are extremely proud of the team spirit here at Canopy, and we extend this approach to our relationships with clients. Excellent customer service has been rewarded by exceptional customer loyalty. Customer satisfaction is the key to our success and we are proud of our ability to deliver a wide range of building solutions on time and on budget to the highest standards. We take pride in that all our products are manufactured in the UK ensuring we monitor the quality.



STANDARD CANOPY PRODUCTS

STOCK PRODUCTS DISPATCHED THE SAME DAY.

- WE RESERVE THE RIGHT TO ALTER WITHOUT NOTICE, THE DIMENSIONS, SECTION, DESIGN OR CONFIGURATION OF ANY OF THE PRODUCTS LISTED IN THIS BROCHURE, IN THE INTEREST OF PRODUCT IMPROVEMENT.
- FOR A FULL RANGE OF PRODUCTS THAT ARE AVAILABLE, CONTACT US FOR A BROCHURE OR DOWNLOAD THEM ONLINE.

Address:
Canopy Products Ltd
Paradise Works
Paradise Street
Ramsbottom
Lancashire
BLO 9BS

Email:
sales@canopyproducts.co.uk

Website:
www.canopyproducts.co.uk

Contact:
Tel: 01706 82 26 65
Fax: 01706 82 33 33



WWW.CANOPYPRODUCTS.CO.UK

