

MERIDIAN MAPPING SYSTEM



PARTS MANUAL



PARTS INFORMATION

If it becomes necessary to order replacement parts or accessories for your Meridian Mapping System, or contact a service representative, call the Chief Automotive Technologies toll-free telephone number (800-445-9262). If located outside the United States, contact an authorized Chief Automotive Technologies representative.

When contacting Chief Automotive Technologies by telephone or mail, provide the following information: name, name of shop, shop telephone number, shop address, a description of the part and the part number, if available. In addition, note the method of payment and shipping charges.

Refer to Users Manual for warranty information.

WORKSTATION



REF.	PART NO.	DESCRIPTION
1	**	Monitor, LCD
2	**	Keyboard, enhanced
3	788956	Workstation, Complete
4	NP1318	Decal, Laser Caution
5	CK720225	Scanner Assembly
6	CK130091	Scanner Power Cable
7	CK110048	Power Supply Cable, 110V
8	CK110049	Power Supply Cable, 220V
*	788289	Nylon Hinges (pair)

* Not shown.

** Contact Chief Automotive Technologies for current model(s) available. Note brand name and model number of existing equipment when making inquiry.

NOTE: Decals available in some foreign languages. Order by description.

BODY SCANNER



Scanner Cable 6



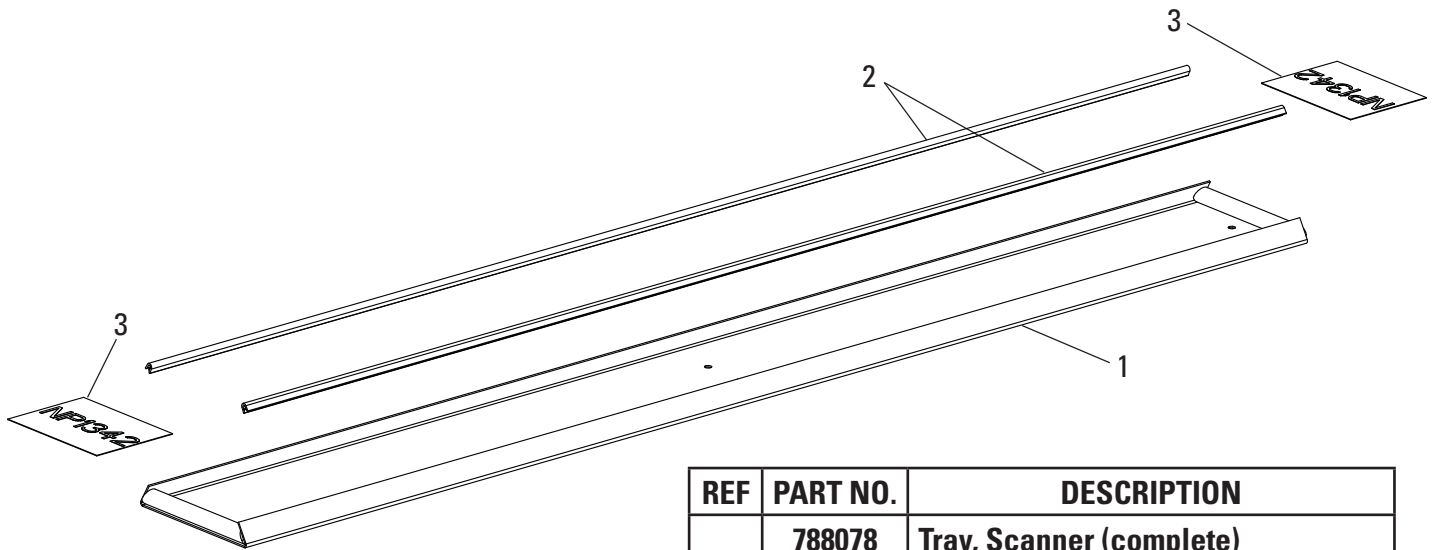
Power Supply Cable, 110V 7



Power Supply Cable, 220V 8

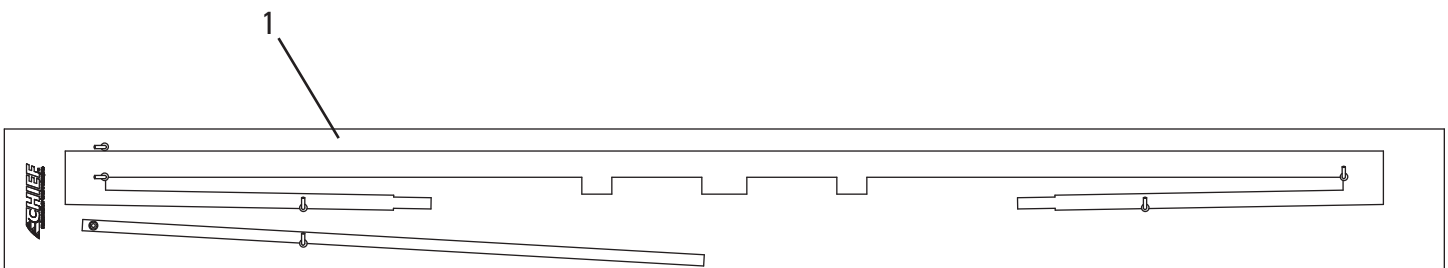


BODY SCANNER TRAY

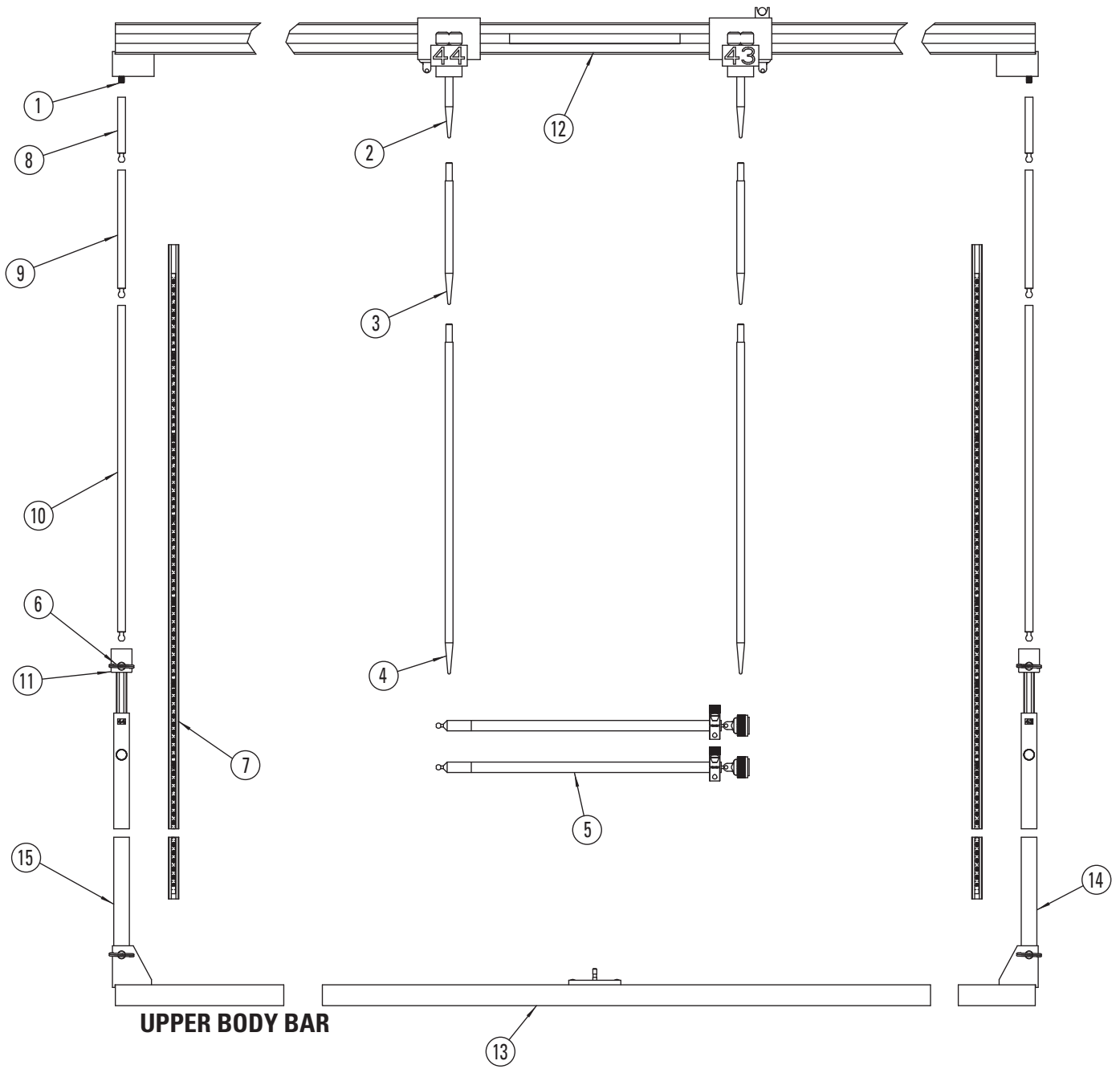


REF	PART NO.	DESCRIPTION
	788078	Tray, Scanner (complete)
1	788076	Tray, Scanner
2	795624	Trim, 1/16" wide, raw, R100 B3 x 1/16
3	NP1342	Nameplate

STORAGE BOARD



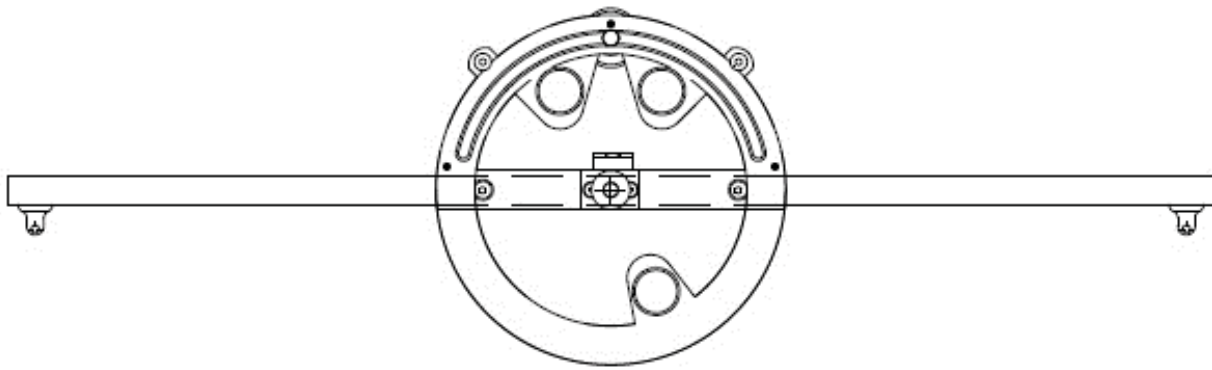
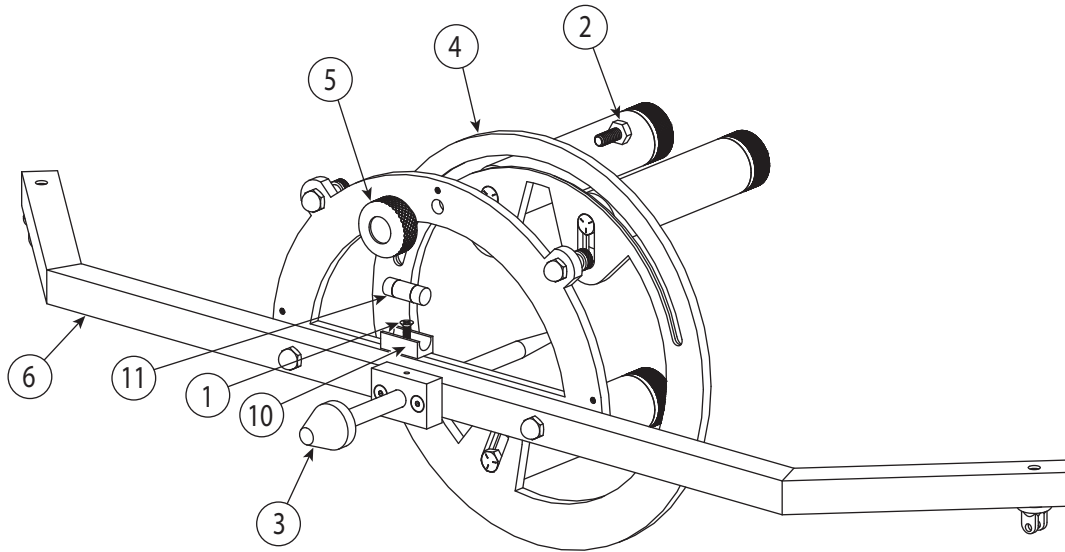
REF.	PART NO.	DESCRIPTION
1	799158	Board Assembly, Wall Storage



ITEM	QTY	PART NO.	DESCRIPTION
1	2	010074	SOCKET HEAD SET SCREW 1/4-20 x 3/4
2	2	620947	UNI-STRUT 4" POINTER
3	2	620955	UNI-STRUT 7" POINTER
4	2	620956	UNI-STRUT 17" POINTER
5	2	790331	UBB STABILIZER ASSEMBLY
6	4	792781	PIN, UPPER BODY BAR
7	2	797786	BAR-TAPE ASSEMBLY, UPPER BODY SCALE
8	2	799005	SHORT UBB EXTENSION -
9	2	799007	MEDIUM UBB EXTENSION -
10	2	799011	LONG UBB EXTENSION -
11	2	799012	UBB EXTENSION ATTACHMENT
12	1	799014	UPPER BAR ASSEMBLY UPPER BODY BAR
13	1	799481	LOWER BAR ASSEMBLY UPPER BODY BAR
14	1	799489	VERTICAL SCALE ASSEMBLY UPPER BODY BAR, LEFT
15	1	799490	VERTICAL SCALE ASSEMBLY UPPER BODY BAR, RIGHT

TRACKING ATTACHMENT (Optional)

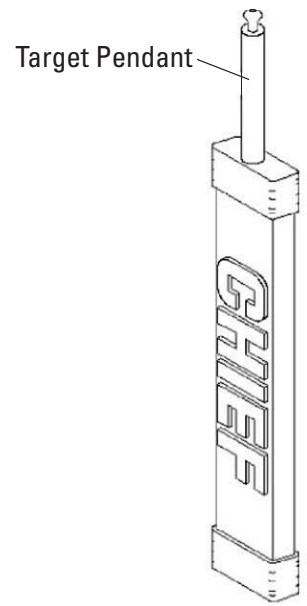
REF.	PART NO.	DESCRIPTION
	702200	Tracking Attachment
1	40185	#6-32 x 3/8" PFHMS McMastercarr #91771A146
2	621026	Screw Cap, 1/4"-20 x 5/8" HHCS
3	702177	Alignment Pointer Assembly, 8-1/2" Lg.
4	702180	Align Inner Disk Assembly
5	702182	Plastic Knurled-Rim Clamping Knob
6	702190	Align Outer Disk Assembly
7	702201	Tracking Attachment Box 32" x 12" x 9" (Not Shown)
8	702202	Tracking Attachment Package Foam Top/Bottom (Not Shown)
9	702203	Tracking Attachment Package Foam Middle (Not Shown)
10	787955	Level Mount
11	787957	Level



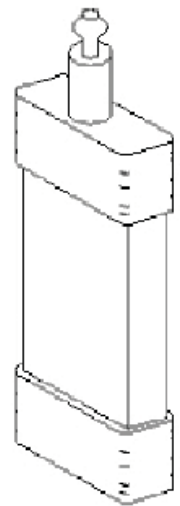
Target Assemblies - No. 1-45

Target No.	Target Asm PN	Step Only PN	Stem Length (mm)	Cap No. Bottom	Cap No. Top
1	M789001	788260	12	M788301	M788801
2	M789002	788260	12	M788302	M788802
3	M789003	788260	12	M788303	M788803
4	M789004	788260	12	M788304	M788804
5	M789005	788261	20	M788305	M788805
6	M789006	788261	20	M788306	M788806
7	M789007	788261	20	M788307	M788807
8	M789008	788261	20	M788308	M788808
9	M789009	788262	40	M788309	M788809
10	M789010	788262	40	M788310	M788810
11	M789011	788262	40	M788311	M788811
12	M789012	788262	40	M788312	M788812
13	M789013	788263	80	M788313	M788813
14	M789014	788263	80	M788314	M788814
15	M789015	788263	80	M788315	M788815
16	M789016	788263	80	M788316	M788816
17	M789017	788264	120	M788317	M788817
18	M789018	788264	120	M788318	M788818
19	M789019	788264	120	M788319	M788819
20	M789020	788264	120	M788320	M788820
21	M789021	788265	160	M788321	M788821
22	M789022	788265	160	M788322	M788822
23	M789023	788266	200	M788323	M788823
24	M789024	788266	200	M788324	M788824
25	M789025	788267	240	M788325	M788825
26	M789026	788267	240	M788326	M788826
27	M789027	788268	280	M788327	M788827
28	M789028	788268	280	M788328	M788828
29	M789029	788269	320	M788329	M788829
30	M789030	788269	320	M788330	M788830
31	M789031	788269	320	M788331	M788831
32	M789032	788269	320	M788332	M788832
33	M789033	788270	360	M788333	M788833
34	M789034	788270	360	M788334	M788834
35	M789035	788270	360	M788335	M788835
36	M789036	788270	360	M788336	M788836
37	M789037	788271	410	M788337	M788837
38	M789038	788271	410	M788338	M788838
39	M789039	788272	460	M788339	M788839
40	M789040	788272	460	M788340	M788840
41	M789041	788261	20	M788341	M788841
42	M789042	788261	20	M788342	M788842
43	M789043				
44	M789044				
45	M789045				

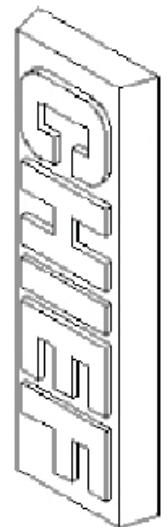
Target No. 1-40



Target No. 41-42



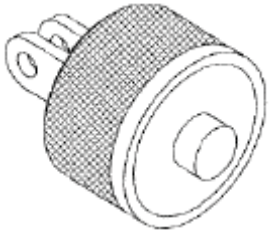
Target No. 43-45



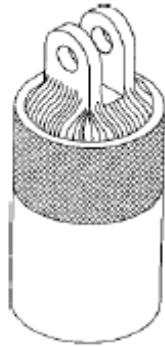
8-32 x .625 lg set screw for Pendant Mount 796223

8-32 x .50 lg set screw for Pendant Mount 796222

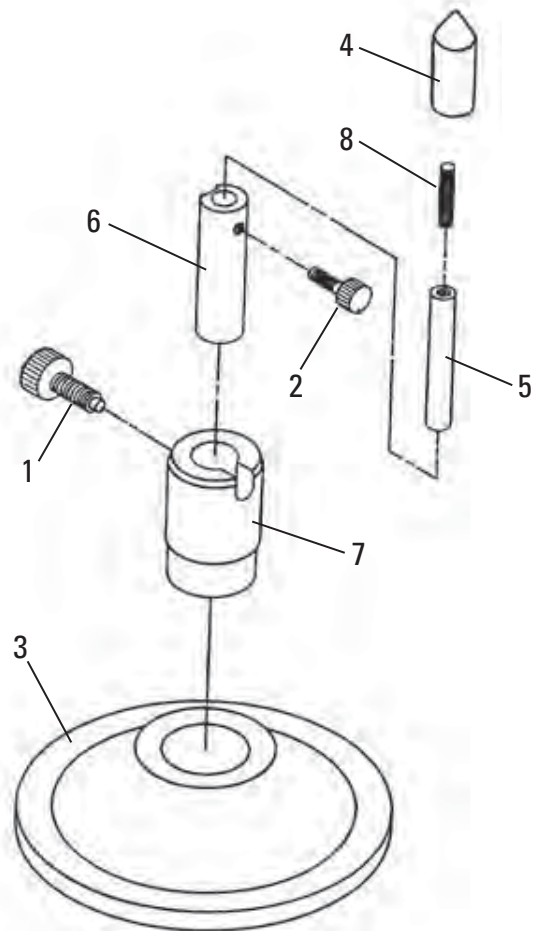
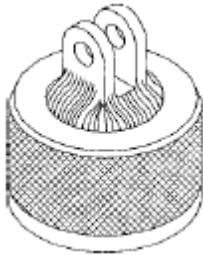
Magnetic Hole Attachment



Threaded Bolt Attachment



Magnetic Bolt Attachment

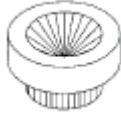


REF.	PART NO.	DESCRIPTION
		Magnetic Hole Attachment
	791980	Hole Attachment, Magnetic, 10mm
	791981	Hole Attachment, Magnetic, 11mm
	791982	Hole Attachment, Magnetic, 12mm
	791983	Hole Attachment, Magnetic, 13mm
	791984	Hole Attachment, Magnetic, 14mm
	791985	Hole Attachment, Magnetic, 15mm
	791986	Hole Attachment, Magnetic, 16mm
	791987	Hole Attachment, Magnetic, 17mm
	791988	Hole Attachment, Magnetic, 18mm
	791989	Hole Attachment, Magnetic, 19mm
	791991	Hole Attachment, Magnetic, 20mm
	791992	Hole Attachment, Magnetic, 22mm
	791993	Hole Attachment, Magnetic, 24mm
	791994	Hole Attachment, Magnetic, 25mm
		Magnetic Bolt Attachment
	780100	Bolt Attachment, Magnetic, 10mm
	780101	Bolt Attachment, Magnetic, 13mm
	780102	Bolt Attachment, Magnetic, 14mm
	780103	Bolt Attachment, Magnetic, 15mm
	780104	Bolt Attachment, Magnetic, 16mm
	780105	Bolt Attachment, Magnetic, 17mm
	780106	Bolt Attachment, Magnetic, 18mm
	780107	Bolt Attachment, Magnetic, 19mm
	780108	Bolt Attachment, Magnetic, 21mm
	780109	Bolt Attachment, Magnetic, 24mm
		Threaded Bolt Attachment
	780112	Bolt Attachment, Threaded, 13mm
	780113	Bolt Attachment, Threaded, 14mm
	780114	Bolt Attachment, Threaded, 15mm
	780115	Bolt Attachment, Threaded, 18mm
	780116	Bolt Attachment, Threaded, 21mm
	780117	Bolt Attachment, Threaded, 24mm
	799060	Target Base (complete)
1	621835	Thumb Screw, Padded, 1/4"-20NC x 1/2"
2	632227	Screw, 6-32 x 1/2", SHCS
3	635612	Base
4	790209	Point, 25mm
5	790217	Extension, Inner, 6mm x 50mm
6	790225	Extension, Center, 13mm x 50mm
7	790233	Cylinder, Outer, 25mm x 45mm
8	796221	Set Screw, Hex Socket, 8-32NC x .75 Lb.

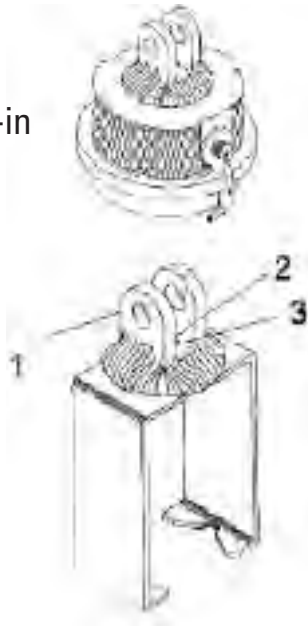
Bottom Hole Clip



Bolt Hole Cap



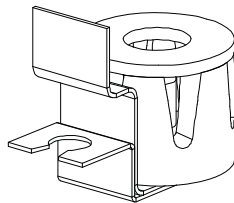
Stud Hole Cap
(Same Exterior Appearance as Bolt Hole Cap)



Aluminum Snap-in

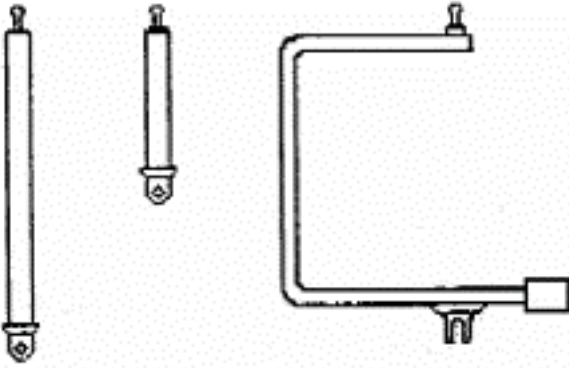
Nylon Bolt Clip

Magnetic Attachment
(Assembly Only)

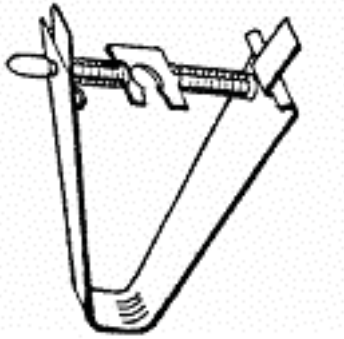


Ref.	Part No.	Description
		Bottom Hole Clip
	792271	Clip, Bottom Hole, 5-10mm
		Bolt Hole Cap
	780060	Cap, Bolt Hole, 5mm
	780061	Cap, Bolt Hole, 7mm
	780062	Cap, Bolt Hole, 9mm
	780063	Cap, Bolt Hole, 11mm
	780064	Cap, Bolt Hole, 13mm
	780065	Cap, Bolt Hole, 15mm
	780066	Cap, Bolt Hole, 17mm
		Stud Hole Cap
	792025	Cap, Stud/Hole 6mm
	792026	Cap, Stud/Hole 8mm
	792027	Cap, Stud/Hole 9mm
	792028	Cap, Stud/Hole 10mm
	792029	Cap, Stud/Hole 12mm
	792030	Cap, Stud/Hole 13mm
	792031	Cap, Stud/Hole 14mm
	792032	Cap, Stud/Hole 15mm
	792033	Cap, Stud/Hole 18mm
	799548	Aluminum Snap-In Attachment set
	780046	Attachment, Snap-In, 26mm
	780048	Attachment, Snap-In, 28mm
	780050	Attachment, Snap-In, 30mm
		Nylon Bolt Clip
	780057	Bolt Clip, Nylon, 10-20mm
	780058	Bolt Clip, Nylon, 15-25mm
	780059	Bolt Clip, Nylon, 25-35mm
1	790277	Ball Socket, Target
2	780001	Shoulder Screw, .18 x .313 Long
3	780028	Cap Screw, 2-56 x 3/16 Lg.,BH
	798972	Magnetic Attachment (complete)

Target Extension Rod Assemblies



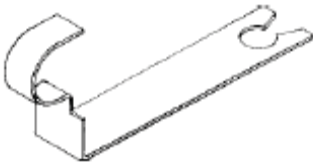
Extruded Hole Attachment - Metal



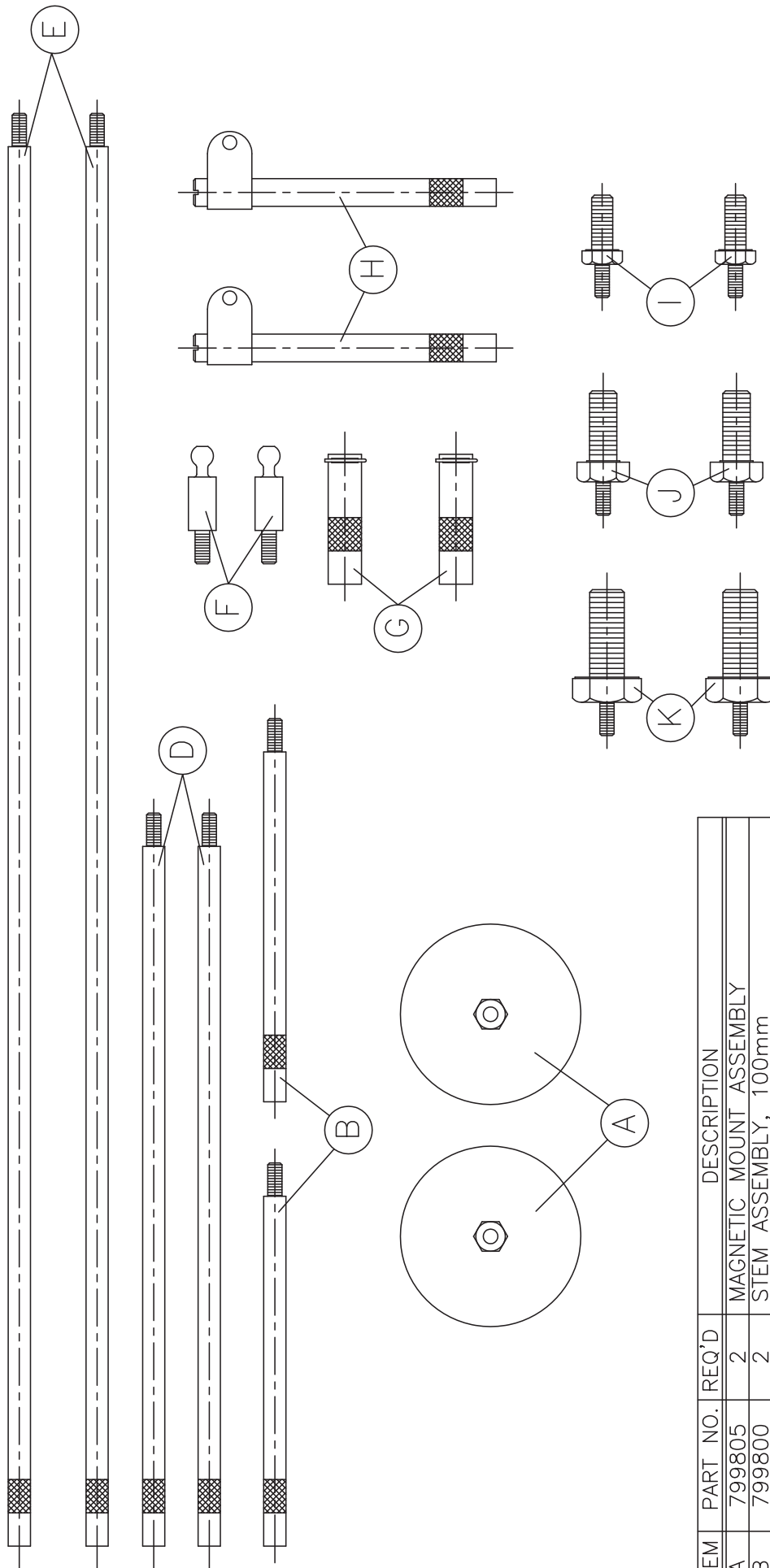
Side Hole Clip - Metal



Extended Side Hole Clip - Metal



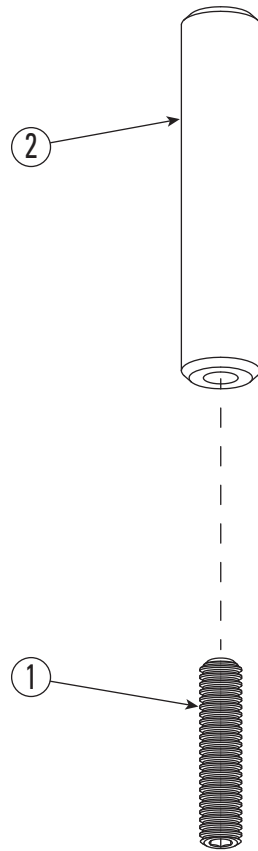
Part No.	Description
798440	Target Extension Rod Assemblies Set
798431	Target Extension Rod Ass'y, 256mm, red
798412	Target Extension Rod Ass'y, 156mm, blue
798421	4C Extension, C - Shape
	Extruded Hole Attachment
799019	Att., Extruded Hole, 9 - 25mm (Orange)
799027	Att., Extruded Hole, 20 - 45mm (White)
	Side Hole Clip
790188	Clip, Side Hole, 23mm
790196	Clip, Side Hole, 35mm
	Side Hole Clip, Extended
790330	Clip, Side Hole, Extended, 23 x 50mm
790372	Clip, Side Hole, Extended, 35 x 50mm



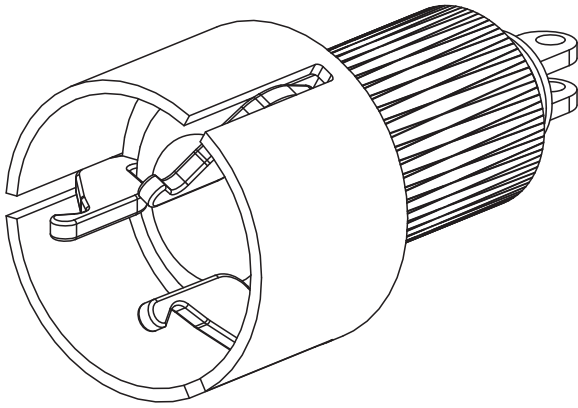
ITEM	PART NO.	REQ'D	DESCRIPTION
A	799805	2	MAGNETIC MOUNT ASSEMBLY
B	799800	2	STEM ASSEMBLY, 100mm
C			
D	799801	2	STEM ASSEMBLY, 200mm
E	799802	2	STEM ASSEMBLY, 400mm
F	799810	2	PENDANT-SET SCREW ASSEMBLY
G	799804	2	BALL-SOCKET, CLIP ASSEMBLY
H	799803	2	STEM-BALL SOCKET ASSEMBLY
I	799807	2	BOLT-SET SCREW ASSEMBLY, METRIC M6
J	799808	2	BOLT-SET SCREW ASSEMBLY, METRIC M8
K	799809	2	BOLT-SET SCREW ASSEMBLY, METRIC M10
L	790699	1	INSTRUCTION MANUAL

VERIFICATION KIT (CK140041)

ITEM	QTY	PART NO.	DESCRIPTION
1	2	796221	SCREW 8-32NC X .75 LG
2	2	CK130088	TARGET STEM

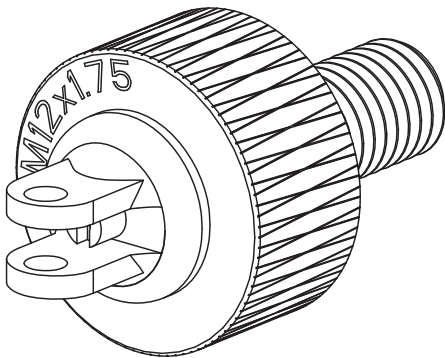


OPTIONAL COLLET KIT (640200)



ITEM	QTY	PART NO.	DESCRIPTION
1	4	640078	COLLET ASSMEBLY LARGE
2	8	640079	COLLET ASSMEBLY , MEDIUM
3	6	640080	COLLET ASSMEBLY , SMALL
4	1	640122	COLLET DRAWER PAD

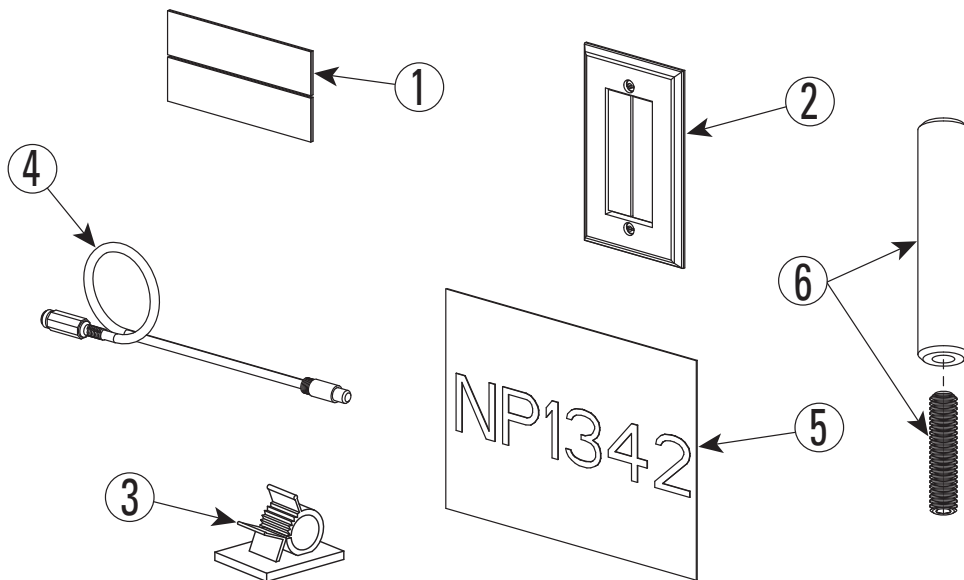
OPTIONAL THREADED ATTACHMENT KIT (CK140006)



ITEM	QTY	PART NO.	DESCRIPTION
1	4	502089	THREAD IN TARGET ATTACH. M8x1.25
2	4	502093	THREAD IN TARGET ATTACH M10 x 1.50
3	4	502095	THREAD IN TARGET ATTACH M10 x 1.25
4	4	502099	THREAD IN TARGET ATTACH. M12 x 1.50
5	4	502101	THREAD IN TARGET ATTACH. M12 x 1.75
6	4	502149	THREAD IN TARGET ATTACH. M12 x 1.25
7	4	502153	THREAD IN TARGET ATTACH. M14 x 2.00
8	4	502155	THREAD IN TARGET ATTACH. M16 x 1.50
9	4	502157	THREAD IN TARGET ATTACH. M16 x 2.00
10	1	CK130006	FOAM PAD THREADED ATTACHMENTS

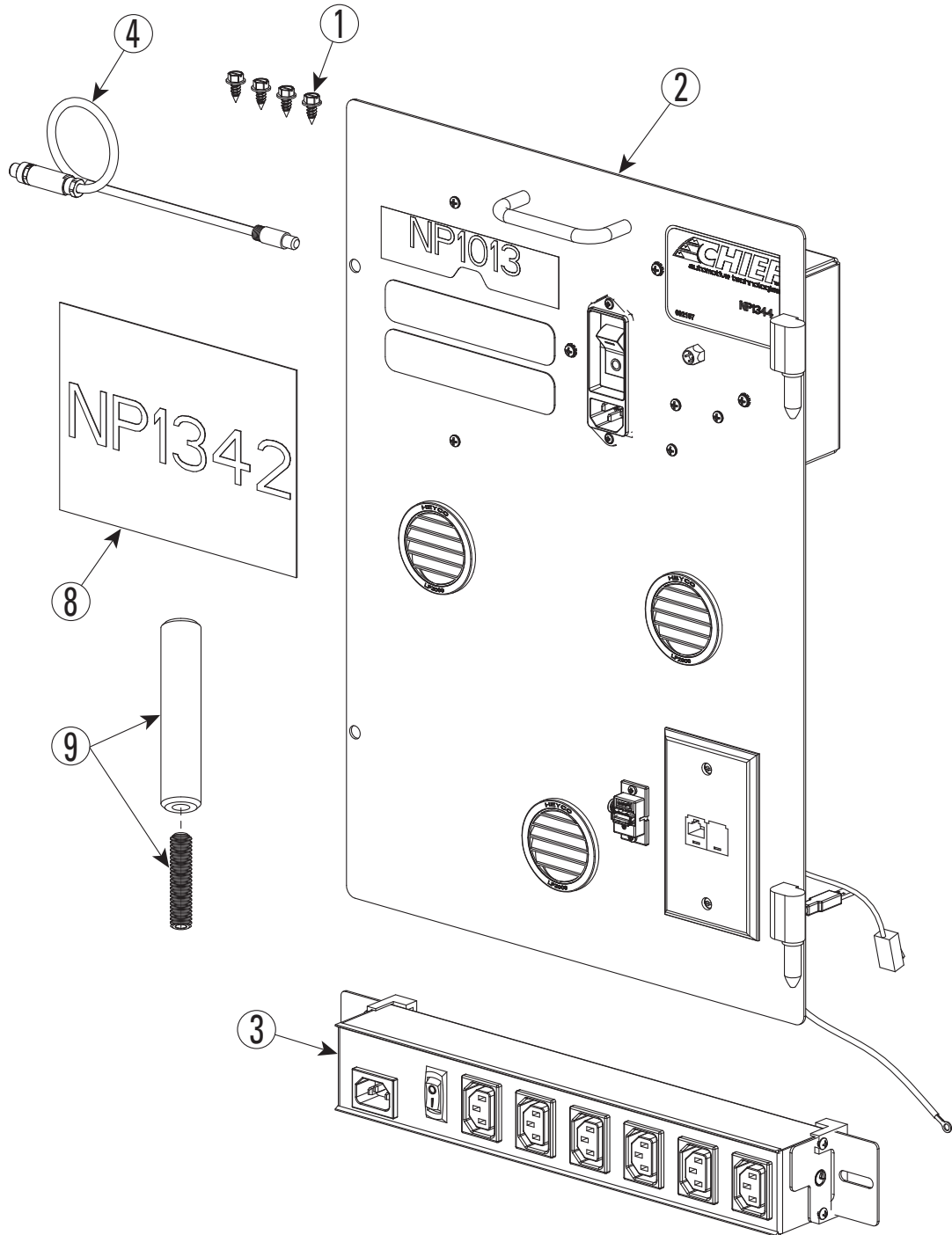
LASER LOCK GALILEO PLATE RETROFIT KIT (CK140034)

ITEM	QTY	PART NO.	DESCRIPTION
1	2	CK110140	POWER SUPPLY, TAPE ASSEMBLY
2	1	CK130081	WALL PLATE WITH BRISTLES, BLACK
3	1	CK130093	CABLE CLIP
4	1	CK130090	SCANNER BARREL CABLE ASSEMBLY
5	2	NP1342	NAMEPLATE
6	1	CK140041	VERIFICATION KIT



LASER LOCK GALILEO BACK PANEL RETROFIT KIT (CK140019)

ITEM	QTY	PART NO.	DESCRIPTION
1	4	796556	#12x1/2" SELF TAPPING SCREW
2	1	CK110039	BACK PANEL ASSEMBLY, CSHS
3	1	CK110040	POWERSTRIP BRACKET ASSEMBLY
4	1	CK130091	SCANNER PIN CABLE ASSEMBLY
5	2	CK130041	C14/C13 POWER CORD, 98 INCHES (NOT SHOWN)
6	1	CK130044	C7/C18 POWER CORD, 3 FEET (NOT SHOWN)
7	1	CK720331	C14/C13 POWER CORD, 1000MM (NOT SHOWN)
8	2	NP1342	NAMEPLATE
9	1	CK140041	VERIFICATION KIT





996 Industrial Dr.
Madison, IN 47250
Phone: 800.445.9262
Fax: 866.275.0173

www.chiefautomotive.com