

catalogue

series SLIM



HARDWARE
SOLUTIONS



915 - 917 - 918 - 919 - 921

www.hardwareolutions.it

SLIM 915



System

- CPU	Intel® 7th & 6th Gen Core™ i processor (LGA1151) i7-6700TE/i5-6500TE/Pentium 4400TE
- Chipset	Intel Q170
- Memory type	Dual Channel DDR4 2133MHz SDRAM MAX 32GB
- Ethernet	GbE LAN1: Intel i219LM; LAN2: Intel i211AT

I/O

- Serial ports	1 x RS232, 1 x RS232/422/485
- USB ports	4 USB 3.0 + 2 USB 2.0 (optional)
- Audio	3 (Mic-in, Line-out, Line-in)
- Video input	1 VGA - 1 HDMI - 1 DP
- Ethernet	2 x RJ45
- Power connection	1 x 4 pin DC terminal block 1 x 2 pin remote power switch 2 x LED light for power and HDD indication

Storage Space

- HDD	2 x 2,5" SATA3 (Support RAID 0,1) easily accessible design
- Mini-PCIe	1 x mSATA slot (full-size)
- M2	B key for SSD and 3G supported (type: 2242 ,2280mm)

Expansion Slot

-Mini-PCIe	1, F/S Mini-PCIe slot (with mSATA supported)
-PCIe	2 PCIe 8X or 3 PCI (optional)

Environment

Operating temperature	0 __ 50 °C
Storage temperature	-30 __ 70 °C
Storage humidity	10 to 90% @ 40 °C - non condensing
Certification	CE

Display

- Display type	15" TFT-LCD
- Max. resolution	1024 x 768
- Max. color	16,7 M
- Luminance (cd/m2)	500
- View angle (H°/V°)	85 __ 85 (H) 85 __ 85 (V)
- Contrast	1500 : 1

Touch Screen

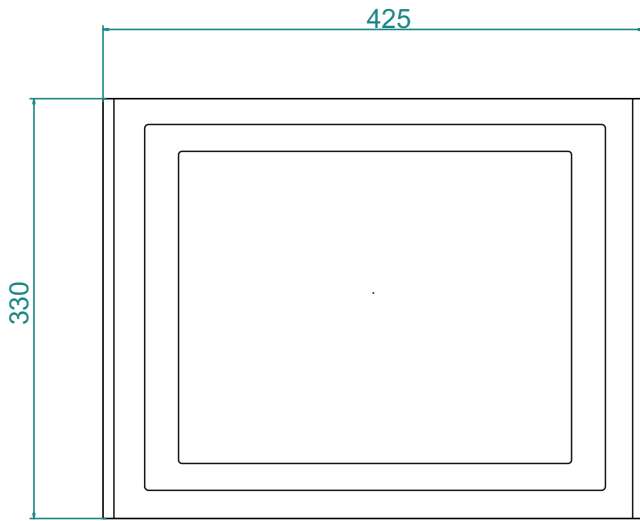
- Type	Project capacitive optional resistive
- Interface	USB
- Light transmission	Project capacitive: 90% resistive: 80%

Mechanical

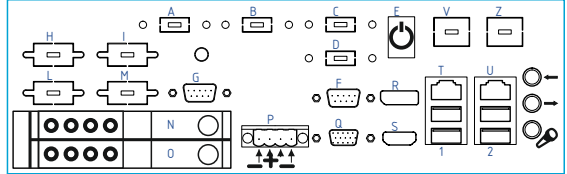
- Construction	Aluminum front bezel optional INOX 316
- IP Rating	Front bezel IP66
- Mounting	Panel mounting
- Dimension (mm)	425 x 330 x 116
- Net weight	-

Supported Operating System

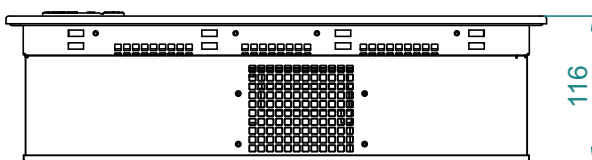
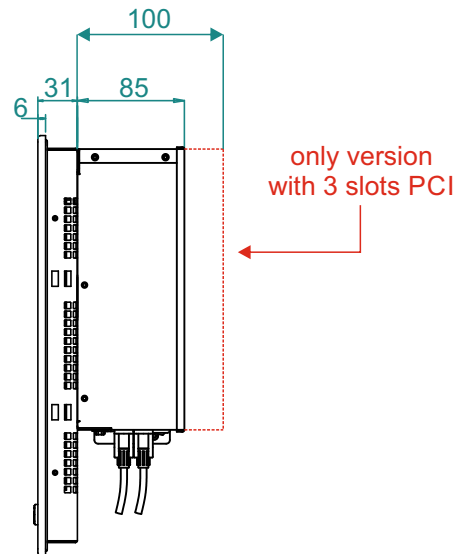
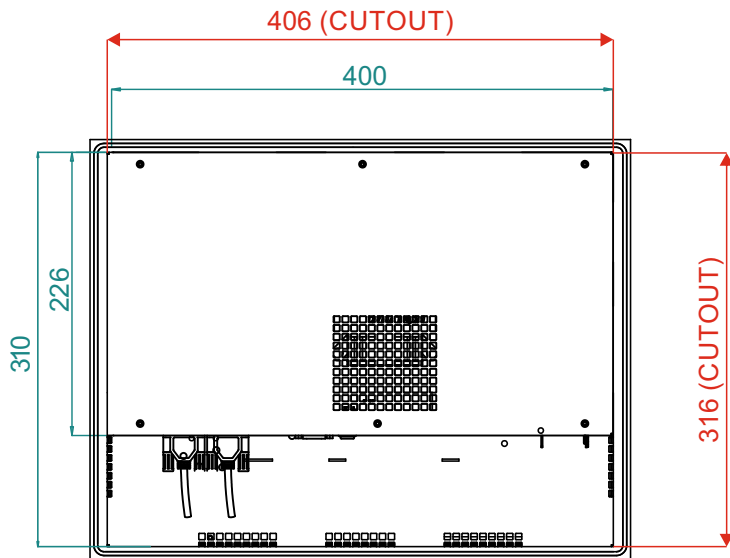
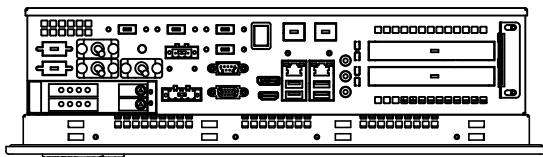
- Windows 7 Professional (32/64bit)
- Windows 7 Ultimate (32/64bit)
- Windows 7 Embedded (32/64bit)
- Windows 10 IoT Enterprise (32/64bit)
- Linux



Legenda



- A/B/C/D: USB 2.0 (opt)
- E: POWER BUTTON
- F: COM 1
- G: COM 2
- H: COM 3 (opt)
- I: COM 4 (opt)
- L: COM 5 (opt)
- M: COM 6 (opt)
- N: HD 1
- O: HD 2
- P: DC INPUT 12-24V
- Q: VGA
- R: DP1++
- S: HDMI
- T: ETH 1
- U: ETH 2
- V: ETH 3
- Z: ETH 4
- 1: USB 3.0 1-2
- 2: USB 3.0 3-4



unit: mm

SLIM 917



System

- CPU	Intel® 7th & 6th Gen Core™ i processor (LGA1151) i7-6700TE/i5-6500TE/Pentium 4400TE
- Chipset	Intel Q170
- Memory type	Dual Channel DDR4 2133MHz SDRAM MAX 32GB
- Ethernet	GbE LAN1: Intel i219LM; LAN2: Intel i211AT

I/O

- Serial ports	1 x RS232, 1 x RS232/422/485
- USB ports	4 USB 3.0 + 2 USB 2.0 (optional)
- Audio	3 (Mic-in, Line-out, Line-in)
- Video input	1 VGA - 1 HDMI - 1 DP
- Ethernet	2 x RJ45
- Power connection	1 x 4 pin DC terminal block 1 x 2 pin remote power switch 2 x LED light for power and HDD indication

Storage Space

- HDD	2 x 2,5" SATA3 (Support RAID 0,1) easily accessible design
- Mini-PCIe	1 x mSATA slot (full-size)
- M2	B key for SSD and 3G supported (type: 2242 ,2280mm)

Expansion Slot

-Mini-PCIe	1, F/S Mini-PCIe slot (with mSATA supported)
-PCIe	2 PCIe 8X or 3 PCI (optional)

Environment

Operating temperature	0 __ 50 °C
Storage temperature	-30 __ 70 °C
Storage humidity	10 to 90% @ 40 °C - non condensing
Certification	CE

Display

- Display type	17" TFT-LCD
- Max. resolution	1280 x 1024
- Max. color	16,7 M
- Luminance (cd/m2)	350
- View angle (H°/V°)	80 __ 80 (H) 60 __ 80 (V)
- Contrast	800 : 1

Touch Screen

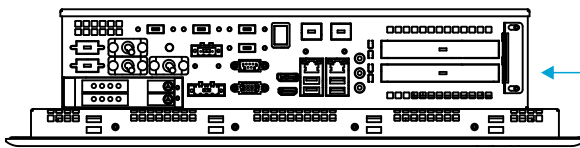
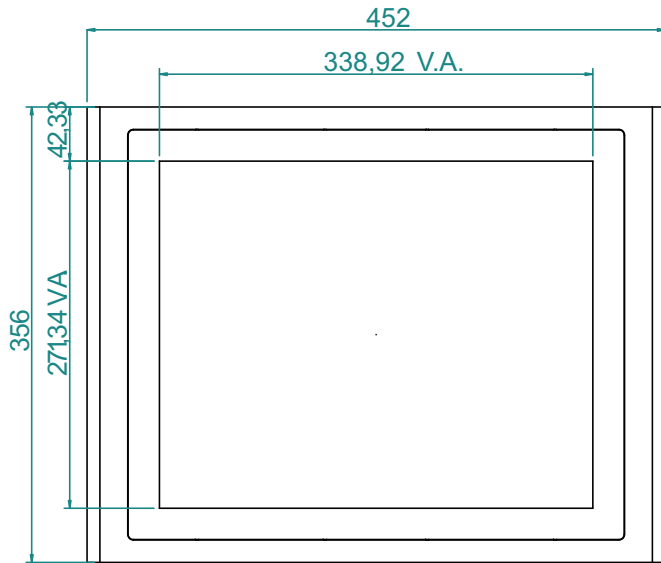
- Type	Project capacitive optional resistive
- Interface	USB
- Light transmission	Project capacitive: 90% resistive: 80%

Mechanical

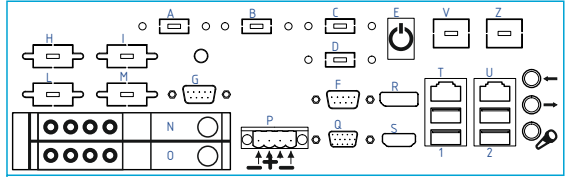
- Construction	Aluminum front bezel optional INOX 316
- IP Rating	Front bezel IP66
- Mounting	Panel mounting
- Dimension (mm)	452 x 356 x 116
- Net weight	-

Supported Operating System

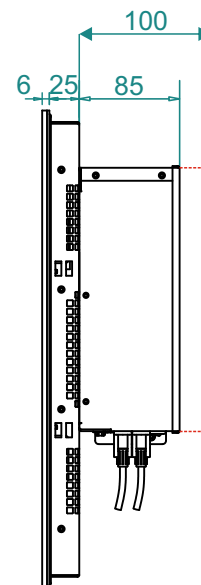
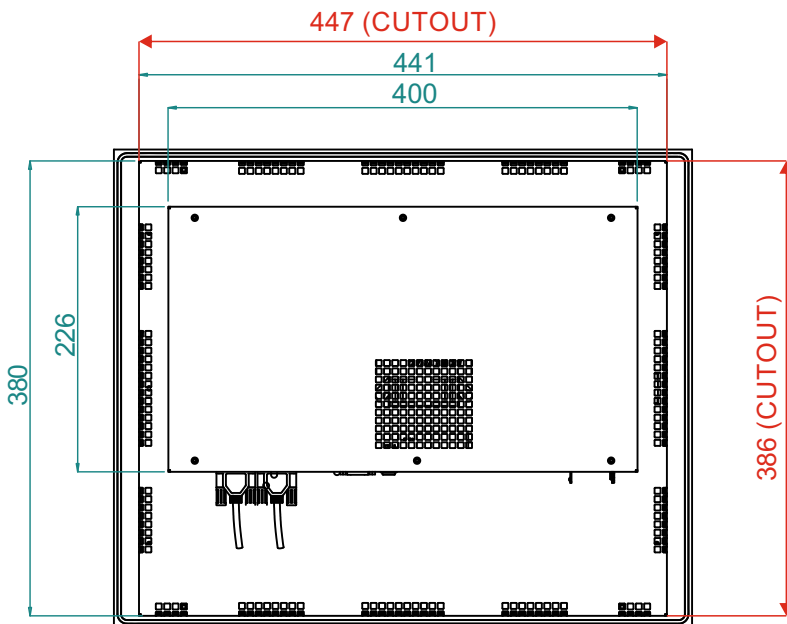
- Windows 7 Professional (32/64bit)
- Windows 7 Ultimate (32/64bit)
- Windows 7 Embedded (32/64bit)
- Windows 10 IoT Enterprise (32/64bit)
- Linux



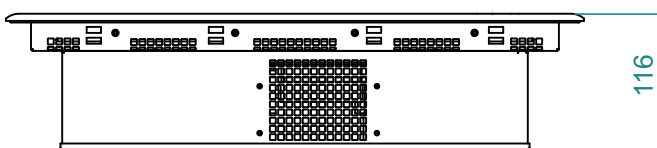
Legenda



- A/B/C/D: USB 2.0 (opt)
- E: POWER BUTTON
- F: COM 1
- G: COM 2
- H: COM 3 (opt)
- I: COM 4 (opt)
- L: COM 5 (opt)
- M: COM 6 (opt)
- N: HD 1
- O: HD 2
- P: DC INPUT 12-24V
- Q: VGA
- R: DP1++
- S: HDMI
- T: ETH 1
- U: ETH 2
- V: ETH 3
- Z: ETH 4
- 1: USB 3.0 1-2
- 2: USB 3.0 3-4



only version
with 3 slots PCI



unit: mm

SLIM 918



System

- CPU Intel® 7th & 6th Gen Core™ i processor (LGA1151) i7-6700TE/i5-6500TE/Pentium 4400TE
- Chipset Intel Q170
- Memory type Dual Channel DDR4 2133MHz SDRAM MAX 32GB
- Ethernet GbE LAN1: Intel i219LM; LAN2: Intel i211AT

I/O

- Serial ports 1 x RS232, 1 x RS232/422/485
- USB ports 4 USB 3.0 + 2 USB 2.0 (optional)
- Audio 3 (Mic-in, Line-out, Line-in)
- Video input 1 VGA - 1 HDMI - 1 DP
- Ethernet 2 x RJ45
- Power connection 1 x 4 pin DC terminal block
1 x 2 pin remote power switch
2 x LED light for power and HDD indication

Storage Space

- HDD 2 x 2,5" SATA3 (Support RAID 0,1)
easily accessible design
- Mini-PCIe 1 x mSATA slot (full-size)
- M2 B key for SSD and 3G supported
(type: 2242 ,2280mm)

Expansion Slot

- Mini-PCIe 1, F/S Mini-PCIe slot (with mSATA supported)
- PCIe 2 PCIe 8X or 3 PCI (optional)

Environment

- Operating temperature 0 __ 50 °C
- Storage temperature -30 __ 70 °C
- Storage humidity 10 to 90% @ 40 °C - non condensing
- Certification CE

Display

- Display type 18,5" TFT-LCD
- Max. resolution 1920 x 1080 / opt. 1366 x 768
- Max. color 16,7 M
- Luminance (cd/m2) 400 / opt. 300
- View angle (H°/V°) 85 __ 85 (H)
85 __ 85 (V) / opt. 80__80 (V)
- Contrast 1500 : 1 / opt. 1000 : 1

Touch Screen

- Type Project capacitive
- Interface USB
- Light transmission Project capacitive: 90%

Mechanical

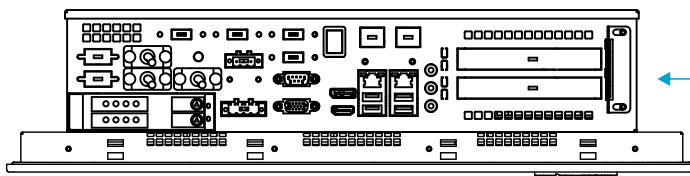
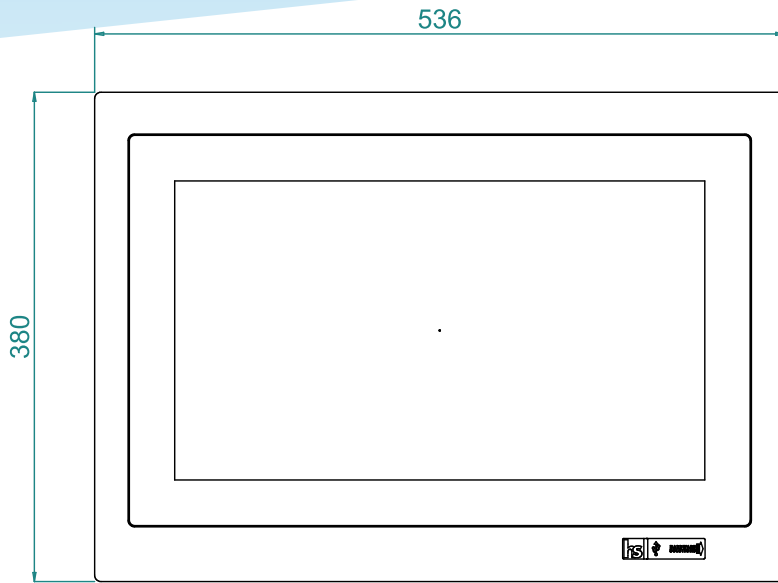
- Construction Aluminum front bezel
optional INOX 316
- IP Rating Front bezel IP65
- Mounting Panel mounting
- Dimension (mm) 536 x 380 x 116
- Net weight -

Supported Operating System

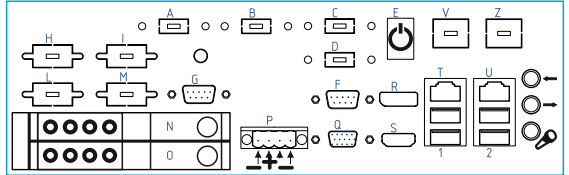
- Windows 7 Professional (32/64bit)
- Windows 7 Ultimate (32/64bit)
- Windows 7 Embedded (32/64bit)
- Windows 10 IoT Enterprise (32/64bit)
- Linux

Technical Features

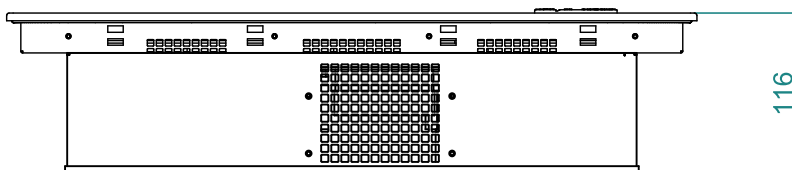
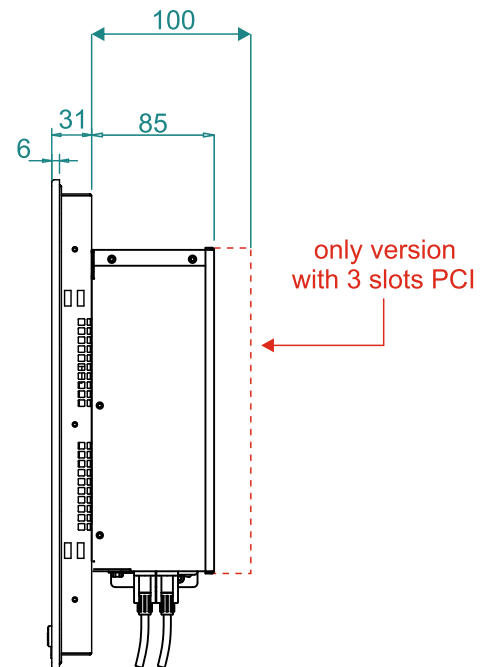
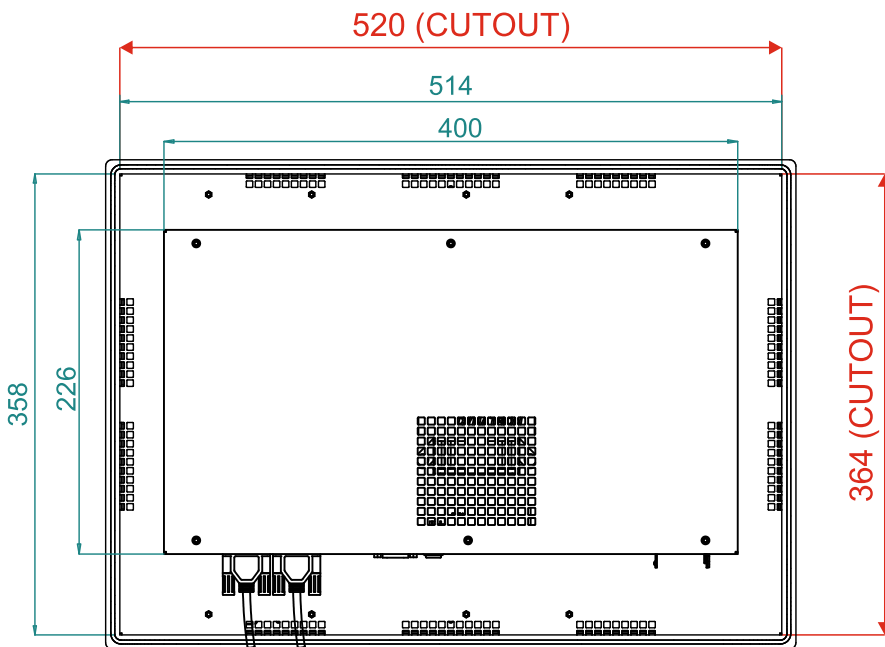
- It can support two different TFT
with full HD or HD resolution



Legenda

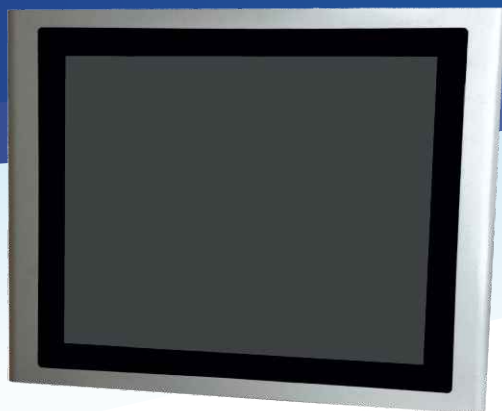


- A/B/C/D: USB 2.0 (opt)
- E: POWER BUTTON
- F: COM 1
- G: COM 2
- H: COM 3 (opt)
- I: COM 4 (opt)
- L: COM 5 (opt)
- M: COM 6 (opt)
- N: HD 1
- O: HD 2
- P: DC INPUT 12-24V
- Q: VGA
- R: DP1++
- S: HDMI
- T: ETH 1
- U: ETH 2
- V: ETH 3
- Z: ETH 4
- 1: USB 3.0 1-2
- 2: USB 3.0 3-4



unit: mm

SLIM 919



System

- CPU	Intel® 7th & 6th Gen Core™ i processor (LGA1151) i7-6700TE/i5-6500TE/Pentium 4400TE
- Chipset	Intel Q170
- Memory type	Dual Channel DDR4 2133MHz SDRAM MAX 32GB
- Ethernet	GbE LAN1: Intel i219LM; LAN2: Intel i211AT

I/O

- Serial ports	1 x RS232, 1 x RS232/422/485
- USB ports	4 USB 3.0 + 2 USB 2.0 (optional)
- Audio	3 (Mic-in, Line-out, Line-in)
- Video input	1 VGA - 1 HDMI - 1 DP
- Ethernet	2 x RJ45
- Power connection	1 x 4 pin DC terminal block 1 x 2 pin remote power switch 2 x LED light for power and HDD indication

Storage Space

- HDD	2 x 2,5" SATA3 (Support RAID 0,1) easily accessible design
- Mini-PCIe	1 x mSATA slot (full-size)
- M2	B key for SSD and 3G supported (type: 2242 ,2280mm)

Expansion Slot

-Mini-PCIe	1, F/S Mini-PCIe slot (with mSATA supported)
-PCIe	2 PCIe 8X or 3 PCI (optional)

Environment

Operating temperature	0 __ 50 °C
Storage temperature	-30 __ 70 °C
Storage humidity	10 to 90% @ 40 °C - non condensing
Certification	CE

Display

- Display type	19" TFT-LCD
- Max. resolution	1280 x 1024
- Max. color	16,7 M
- Luminance (cd/m2)	350
- View angle (H°/V°)	85 __ 85 (H) 80 __ 80 (V)
- Contrast	1000 : 1

Touch Screen

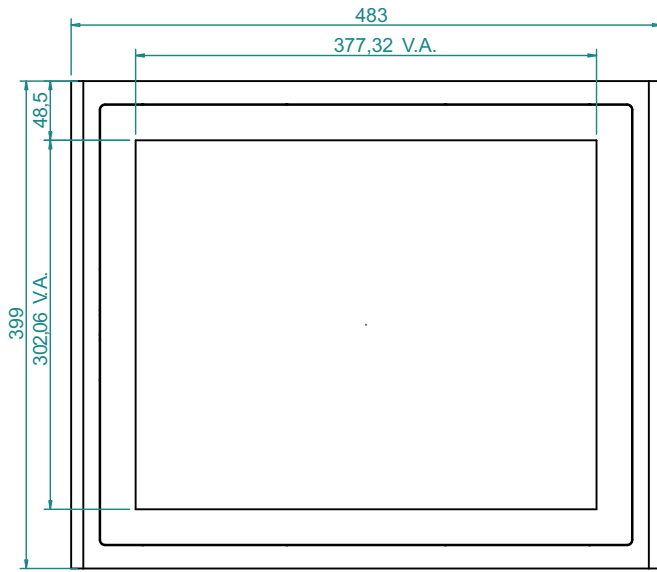
- Type	Project capacitive optional resistive
- Interface	USB
- Light transmission	Project capacitive: 90% resistive: 80%

Mechanical

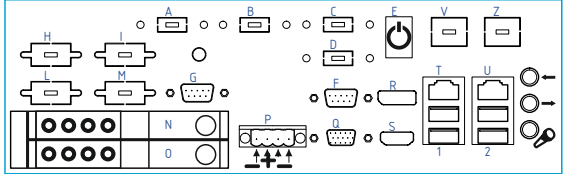
- Construction	Aluminum front bezel optional INOX 316
- IP Rating	Front bezel IP66
- Mounting	Panel mounting
- Dimension (mm)	483 x 399 x 116
- Net weight	-

Supported Operating System

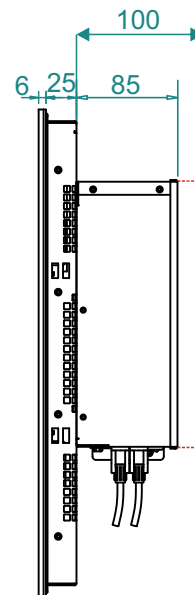
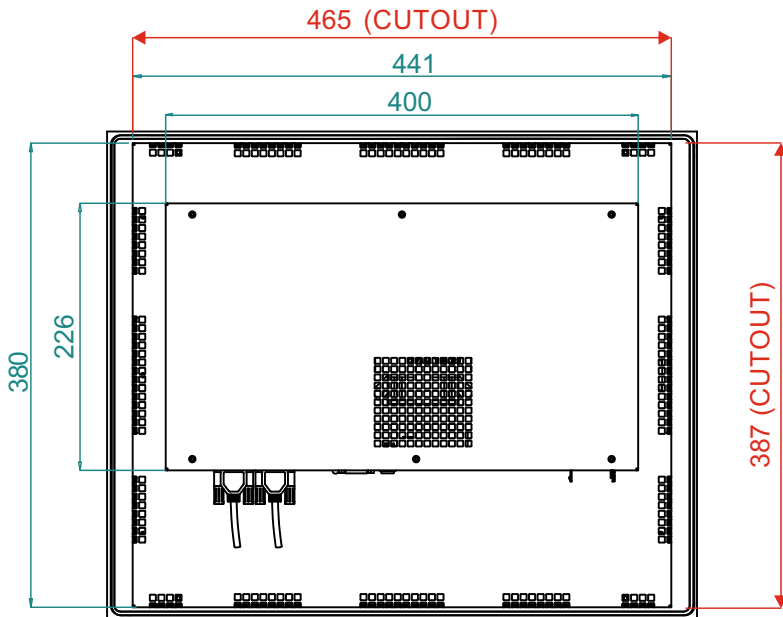
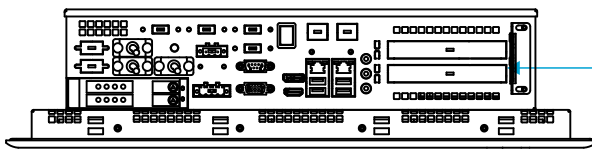
- Windows 7 Professional (32/64bit)
- Windows 7 Ultimate (32/64bit)
- Windows 7 Embedded (32/64bit)
- Windows 10 IoT Enterprise (32/64bit)
- Linux



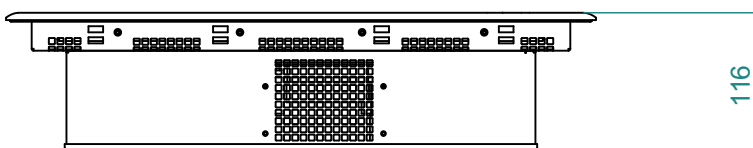
Legenda



- A/B/C/D: USB 2.0 (opt)
- E: POWER BUTTON
- F: COM 1
- G: COM 2
- H: COM 3 (opt)
- I: COM 4 (opt)
- L: COM 5 (opt)
- M: COM 6 (opt)
- N: HD 1
- O: HD 2
- P: DC INPUT 12-24V
- Q: VGA
- R: DP1++
- S: HDMI
- T: ETH 1
- U: ETH 2
- V: ETH 3
- Z: ETH 4
- 1: USB 3.0 1-2
- 2: USB 3.0 3-4



only version
with 3 slots PCI



unit: mm

SLIM 921



System

- CPU	Intel® 7th & 6th Gen Core™ i processor (LGA1151) i7-6700TE/i5-6500TE/Pentium 4400TE
- Chipset	Intel Q170
- Memory type	Dual Channel DDR4 2133MHz SDRAM MAX 32GB
- Ethernet	GbE LAN1: Intel i219LM; LAN2: Intel i211AT

I/O

- Serial ports	1 x RS232, 1 x RS232/422/485
- USB ports	4 USB 3.0 + 2 USB 2.0 (optional)
- Audio	3 (Mic-in, Line-out, Line-in)
- Video input	1 VGA - 1 HDMI - 1 DP
- Ethernet	2 x RJ45
- Power connection	1 x 4 pin DC terminal block 1 x 2 pin remote power switch 2 x LED light for power and HDD indication

Storage Space

- HDD	2 x 2,5" SATA3 (Support RAID 0,1) easily accessible design
- Mini-PCIe	1 x mSATA slot (full-size)
- M2	B key for SSD and 3G supported (type: 2242 ,2280mm)

Expansion Slot

-Mini-PCIe	1, F/S Mini-PCIe slot (with mSATA supported)
-PCIe	2 PCIe 8X or 3 PCI (optional)

Environment

Operating temperature	0 __ 50 °C
Storage temperature	-30 __ 70 °C
Storage humidity	10 to 90% @ 40 °C - non condensing
Certification	CE

Display

- Display type	21,5" TFT-LCD
- Max. resolution	1920 x 1080
- Max. color	16,7 M
- Luminance (cd/m2)	300
- View angle (H°/V°)	89 __ 89 (H) 89 __ 89 (V)
- Contrast	5000 : 1

Touch Screen

- Type	Project capacitive
- Interface	USB
- Light transmission	Project capacitive: 90%

Mechanical

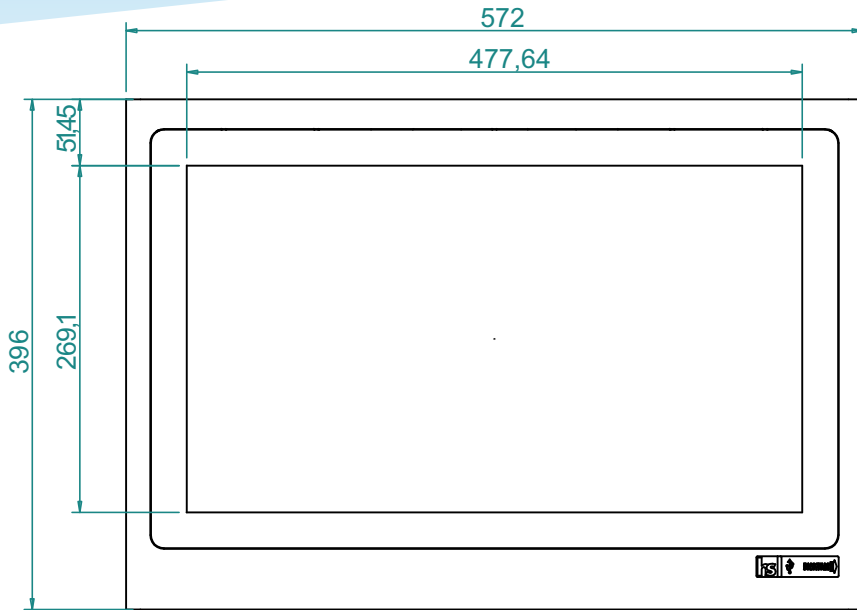
- Construction	Aluminum front bezel optional INOX 316
- IP Rating	Front bezel IP65
- Mounting	Panel mounting
- Dimension (mm)	572 x 396 x 121
- Net weight	-

Supported Operating System

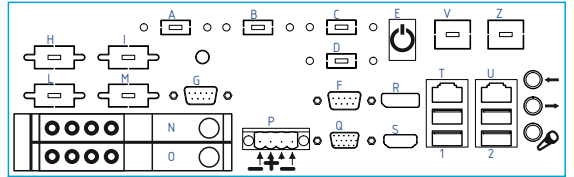
- Windows 7 Professional (32/64bit)
- Windows 7 Ultimate (32/64bit)
- Windows 7 Embedded (32/64bit)
- Windows 10 IoT Enterprise (32/64bit)
- Linux

Technical Features

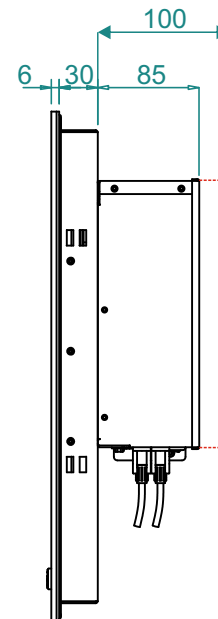
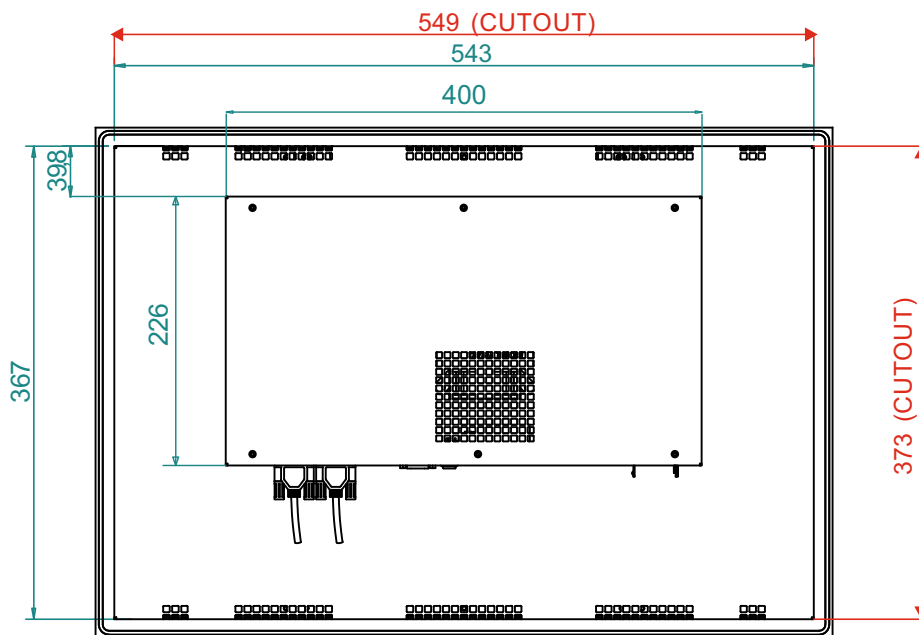
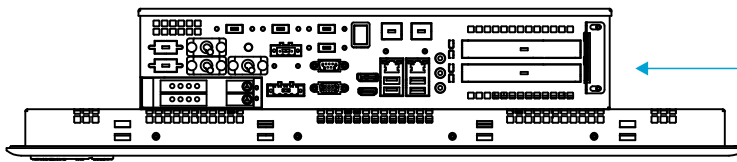
- It can support two different TFT with full HD or HD resolution
--



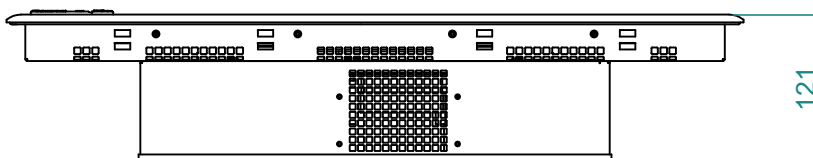
Legenda



- A/B/C/D: USB 2.0 (opt)
- E: POWER BUTTON
- F: COM 1
- G: COM 2
- H: COM 3 (opt)
- I: COM 4 (opt)
- L: COM 5 (opt)
- M: COM 6 (opt)
- N: HD 1
- O: HD 2
- P: DC INPUT 12-24V
- Q: VGA
- R: DP1++
- S: HDMI
- T: ETH 1
- U: ETH 2
- V: ETH 3
- Z: ETH 4
- 1: USB 3.0 1-2
- 2: USB 3.0 3-4



only version
with 3 slots PCI



unit: mm



HARDWARE
SOLUTIONS

Via Ghiarola Vecchia, 32
41042 Fiorano Modenese - (MO) - Italy
tel +39 0536 830620
fax +39 0536 831215
e-mail: info@hardwaresolutions.it
www.hardwaresolutions.it

catalogue

SLIM

9XX