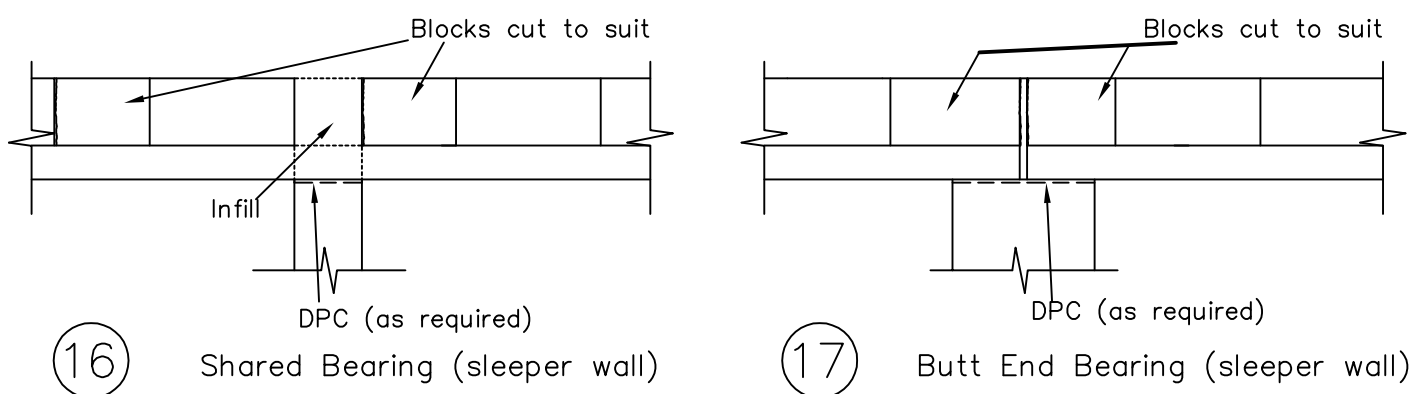
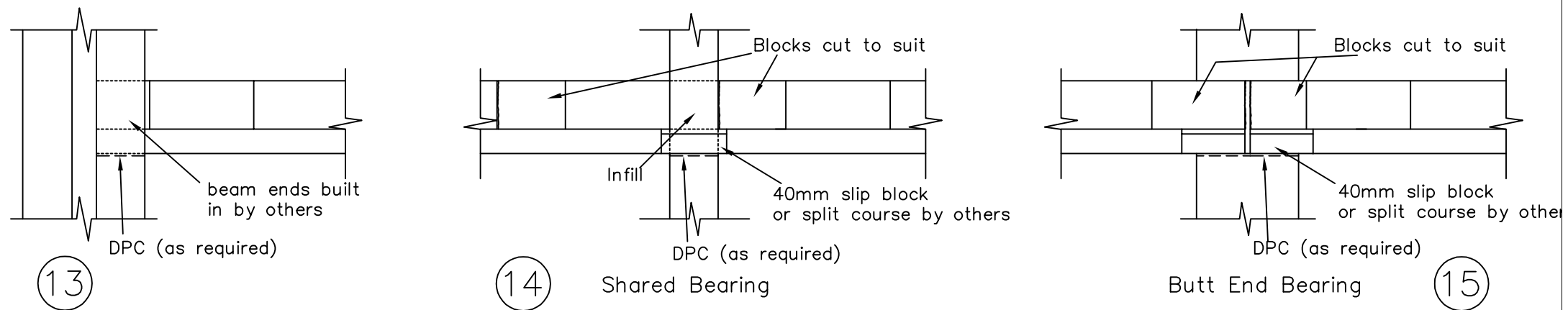
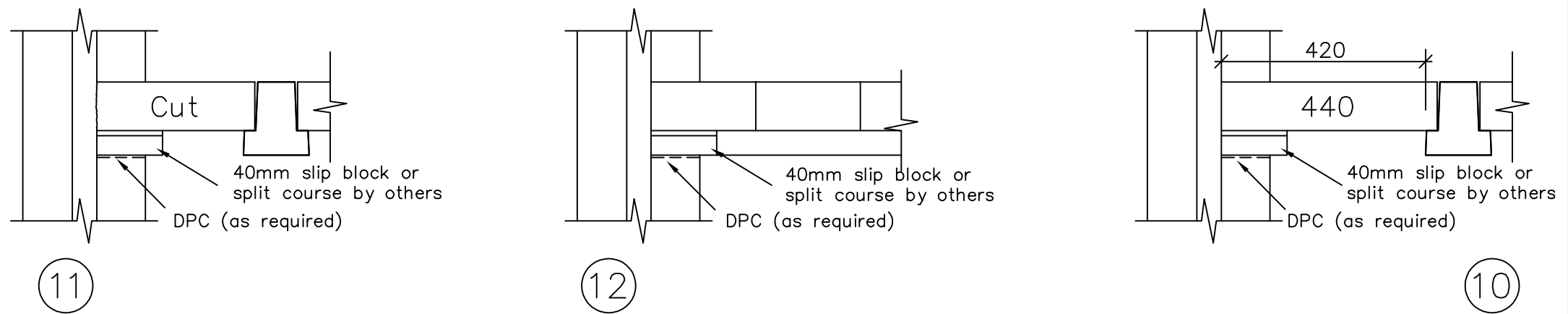
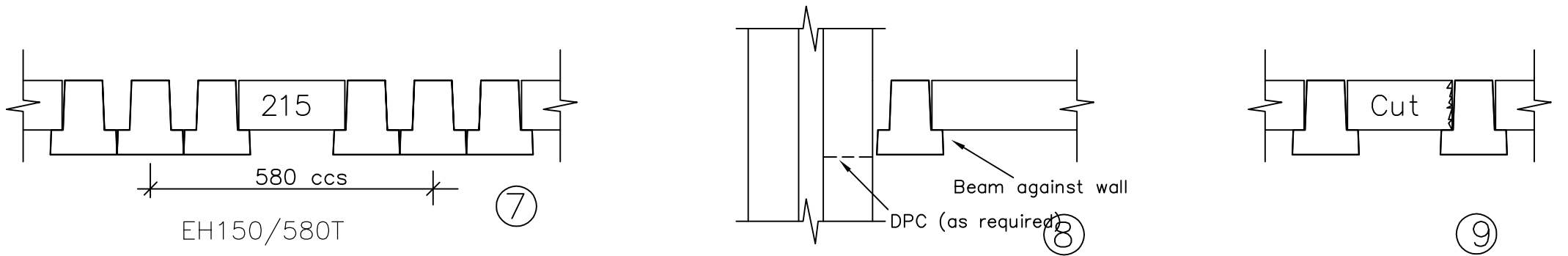
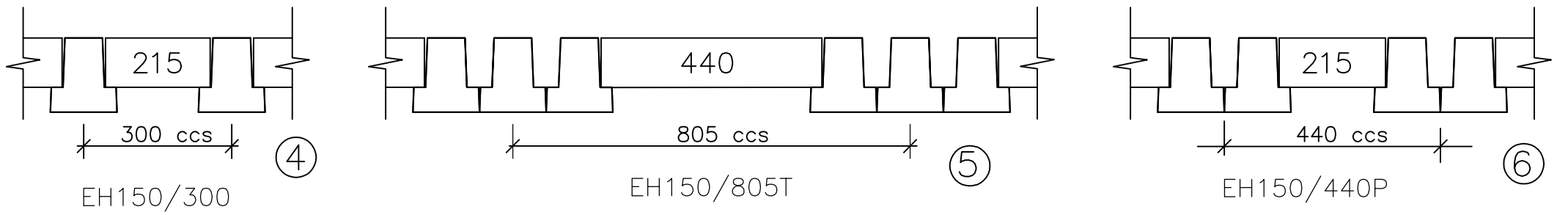
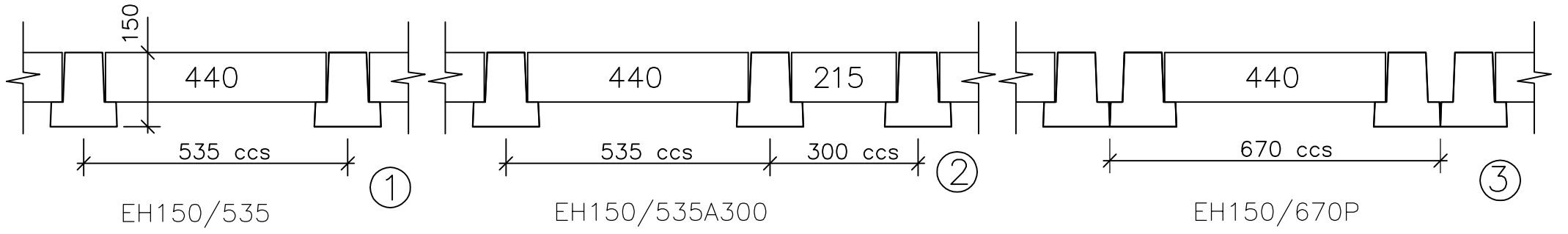


# EH150 BEAMS with 440x215x100mm Blocks



150mm DEEP  
TYPICAL SECTIONS  
BEAM & BLOCK FLOORING