

LOGIC+ COMBI.

24 30 35

HIGH EFFICIENCY COMBINATION BOILERS



RELIABLE

- Award winning range
- Energy Saving Trust endorsed
- 7 year parts and labour warranty*
- Built-in frost protection**
- Fully modulating operation to low outputs
- Automatic bypass
- Built-in filling loop
- Pre-heat function
- Service indication
- Latest generation Honeywell gas valve
- Simple diverter valve design with no dynamic seals
- ErP compliant

EASY TO INSTALL

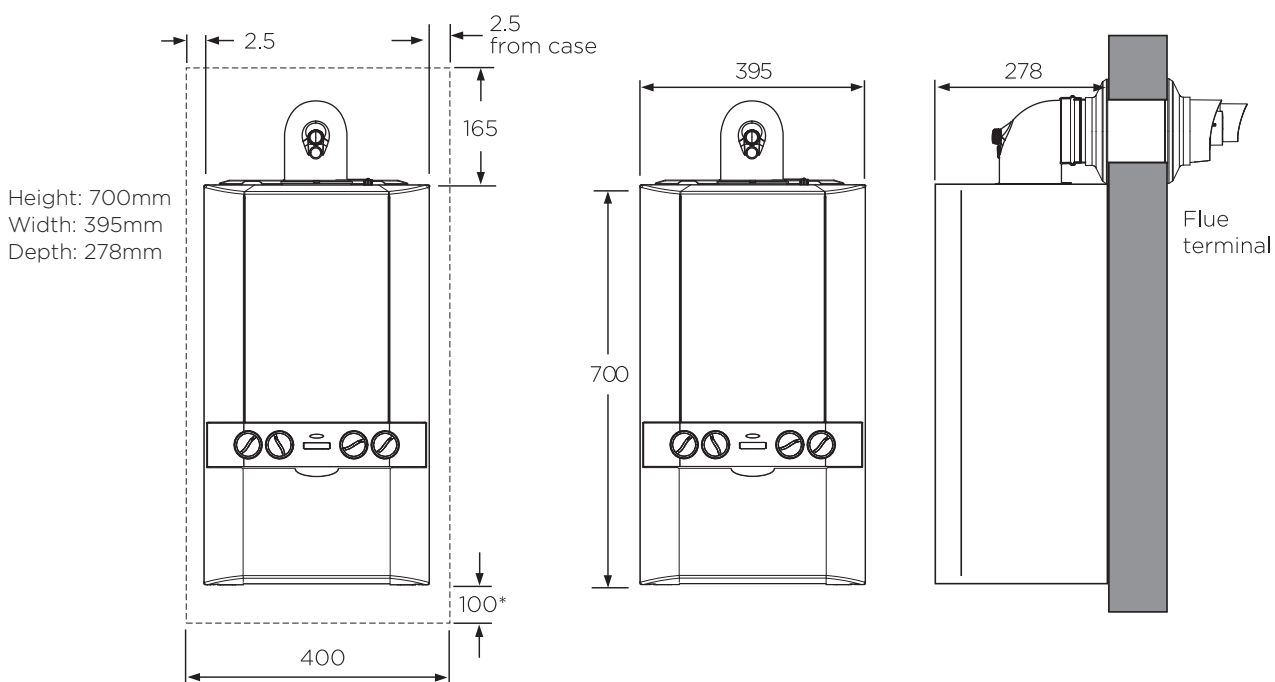
- Compact cupboard fit
- Wide range of additional flueing options
- Low lift weight (starting at 31.4kg)
- Preformed copper tails and pre-wired mains lead
- PRV wall outlet pipe included
- Universal condensate connection
- Compatible with a range of additional controls inc. weather compensation and Opentherm controls
- LPG conversion kit available for 30 kW boilers
- Plain text operation and diagnostics display



* 7 year warranty available until 31.12.2016.
Subject to terms and conditions. 7 year parts and labour warranty available when registered within 30 days of installation.
** Permanent live connection required.



CLEARANCES & DIMENSIONS.



Note: The minimum front clearance when built in to a cupboard is 5mm from the cupboard door but 450mm overall clearance with the cupboard door open is required for servicing. *Bottom clearance after installation can be reduced to 5mm. However, 100mm is required for servicing.

TECHNICAL SPECIFICATIONS.

	+COMBI 24	+COMBI 30	+COMBI 35
Weight (packaged) kg	35.8	36.2	36.2
Max installation weight kg	31.4	31.8	31.8
CH output (kW) min/max @ 70°C	4.8 - 24.2	6.1 - 24.2	7.1 - 24.2
CH output (kW) min/max @ 40°C	5.1 - 25.6	6.4 - 25.6	7.5 - 25.6
DHW output (kW) max	24.2	30.3	35.3
DHW flow rate l/min. 35°C rise	9.9	12.4	14.5
SEDBUK rating (2005) %	91	91.1	91
SEDBUK rating (2009) %	89.0	89.0	88.9
NOx classification	CLASS 5	CLASS 5	CLASS 5
Adjustable to LPG	No	Yes	No
Max horizontal flue*	9m	8m	6m
Max vertical flue*	7.5m	7.5m	7.5m
Powered vertical flue†	22m	22m	22m
Condensing boiler	Yes	Yes	Yes
Seasonal space heating efficiency class	A	A	A
Rated heat output kW	24	24	24
Seasonal space heating energy efficiency η_{son} %	93	93	93
Sound power level, indoors L _{WA} dB	45	45	44
Water heating energy efficiency class	A	A	A

Multiple flue kits available.

* Each 90° elbow used is at the expense of 1000mm of straight flue run, and each 45° elbow is used at the expense of 600mm of straight flue run.

† Typical combined primary and secondary length. See installation instructions for more details. Note: The Flue Deflector Kit is used at the expense of 1000mm of straight flue run.