

## Zenolite® Installation Guide

[zenolite.com](http://zenolite.com)



# Introduction

**Zenolite®** is an extruded, high gloss, rigid thermoplastic material made entirely of Acrylic (PMMA). The clear and coloured layers are permanently fused during manufacture. Zenolite is completely inert and does not release any emissions to the environment. The material is ultra hygienic and does not promote bacterial growth or transmission.



## Warnings

- Zenolite sheet is designed for vertical surface applications only
- Zenolite will expand and contract with temperature at the rate of 0.7 mm / 1000 mm / 10 deg C so its very important to allow expansion gaps at the perimeter of each panel
- Zenolite should be stored under cover, and covered when transported. Do not leave sheet exposed to direct sunlight for long periods of time
- Sheets must be stored inside and can be stored flat or vertically but must be well supported to avoid any deformation of the sheet
- Zenolite can be used as a wall finish behind electric induction and vitroceramic cooktops as long as there is a clearance of 50mm between the rear edge of the cooktop and the face of the Zenolite
- Zenolite is not suitable for use as a wall finish behind Gas Cooktops

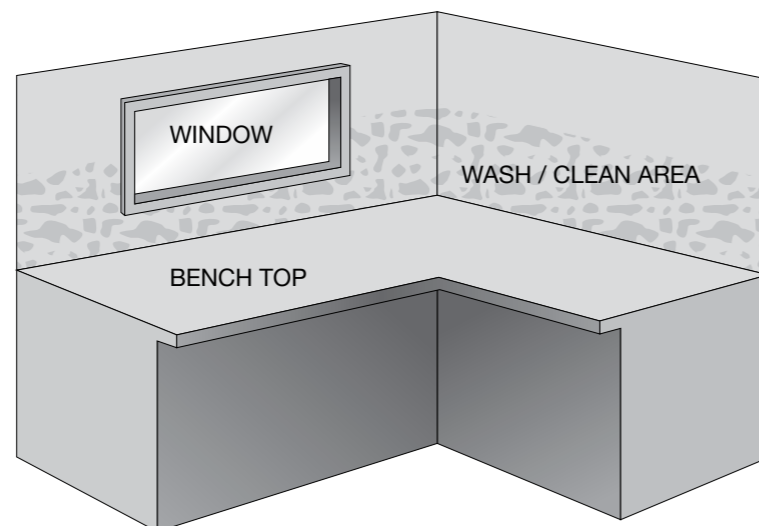
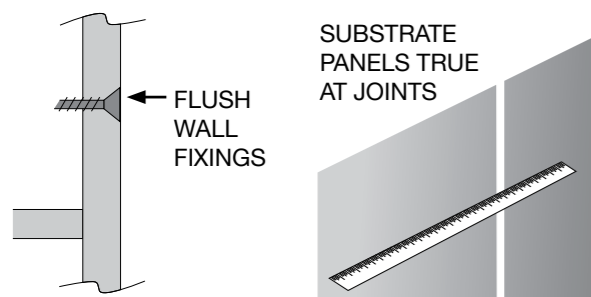
## Tools and materials

Some or all of the following tools may be required depending on the scope of the installation.

- Measuring tape
- Soft pencil or marker
- Carpenters square
- Silicone cartridge gun
- Double sided tape
- Translucent Neutral Cure Silicone
- Power saw and or jig saw with fine tooth carbide tipped blades
- Power or battery drill and slightly blunt twist drills
- Power planer
- Medium and fine grit sandpaper and sanding block
- Personal eye, hearing, and footwear protective equipment
- Soft flexible spatula

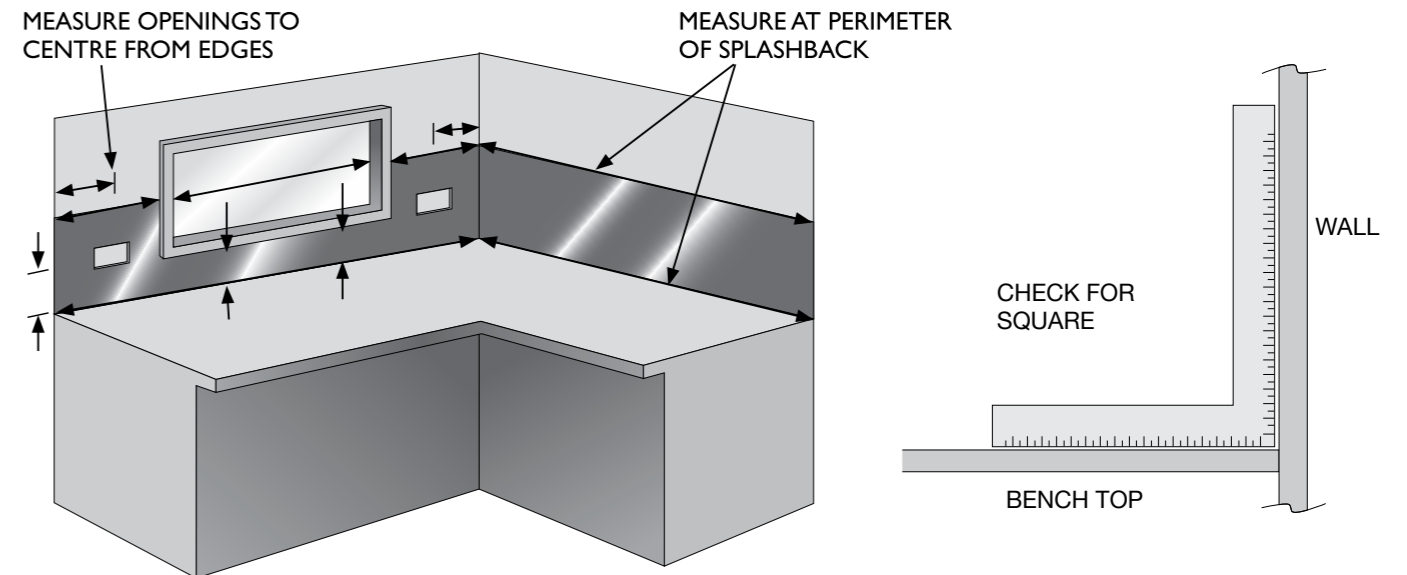
## Area Preparation

- For best results, ensure walls are dry, smooth and clean
- All wall panel fixings must be set flush or recessed
- New fibre cement sheet, plasterboard or MDF walls should be primed or painted prior to installation
- Previously painted or tiled walls may be suitable if they are in sound condition and thoroughly cleaned with a detergent based de-greaser such as "Sugar Soap"

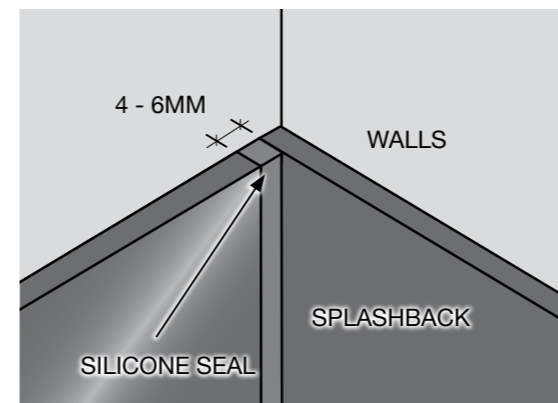


# Measuring

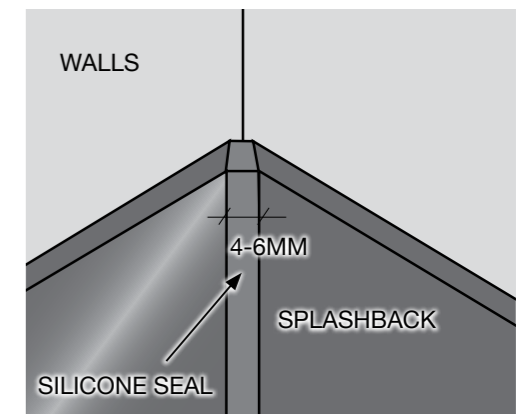
- Measure each wall area and decide on suitable panel size
- Avoid large cut outs for windows or other features and use panel joins for these areas instead
- Allow for 4 - 6 mm joints at each corner and 4 - 6 mm joints between panels
- Allow 3 - 4 mm sealant gap around the perimeter
- Check for square of each panel area, if the area is not square we recommend fabrication and trial fitting of a full size template before cutting the Zenolite sheet



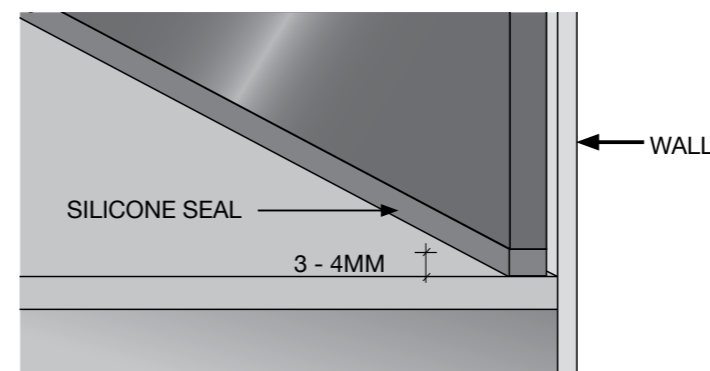
SQUARE CUT CORNER JOINT



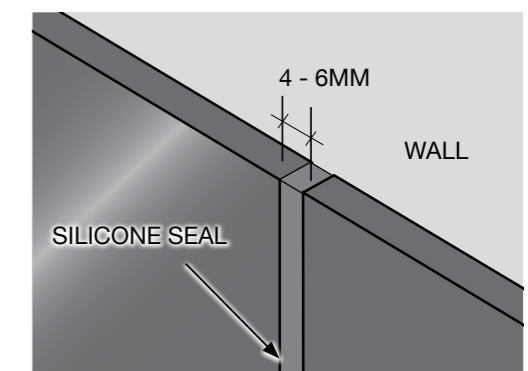
MITRED CORNER JOINT



BOTTOM EDGE

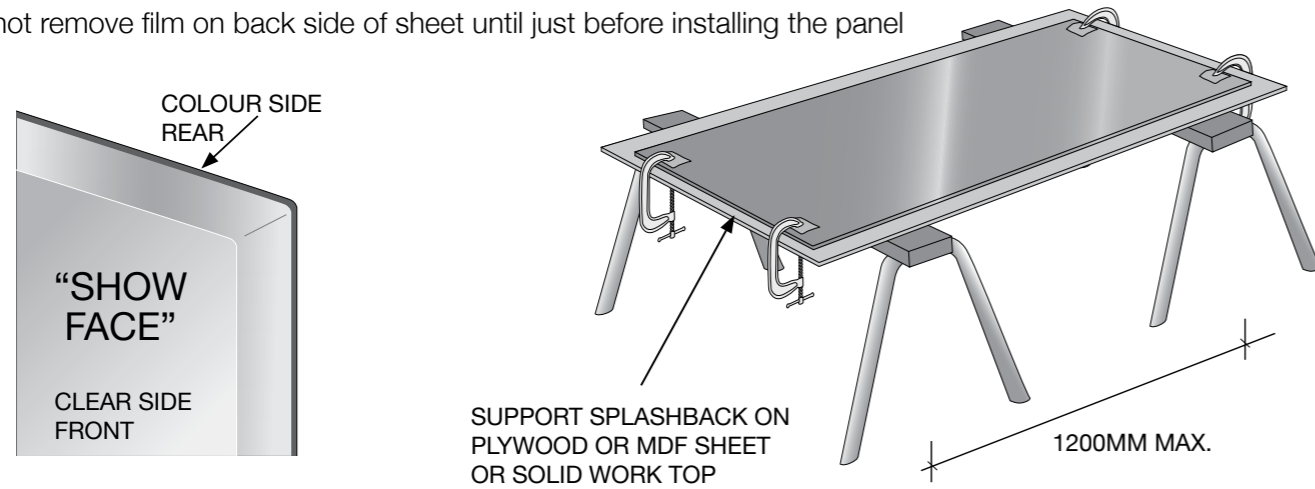


VERTICAL JOINTS



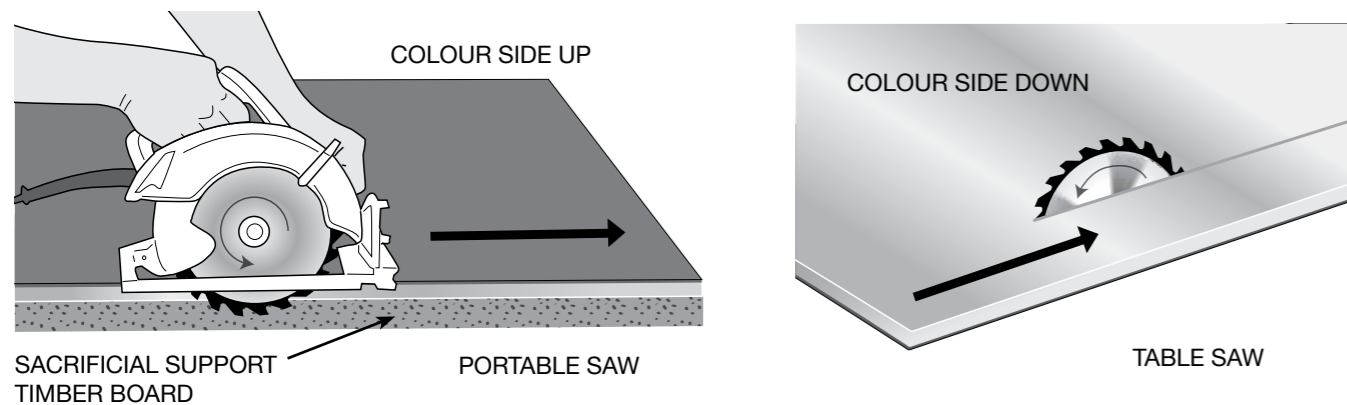
## Marking Out

- Zenolite is supplied with a protective film
- Mark all holes and cut lines on the film using a soft pencil or felt tip pen, do not use metal scribes
- Do not mark out in direct sunlight or very cold conditions as thermal expansion and contraction can effect panel size prior to installation
- Do not remove film on back side of sheet until just before installing the panel



## Cutting

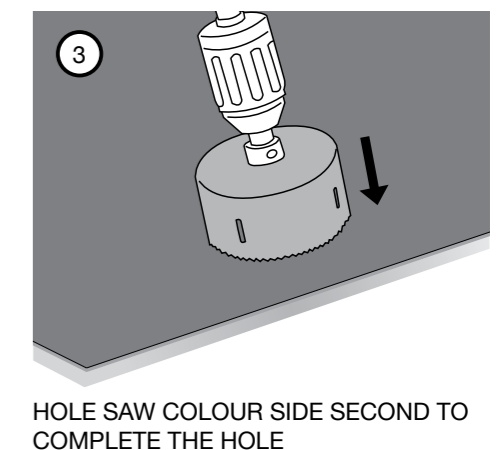
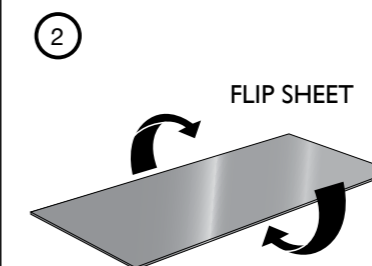
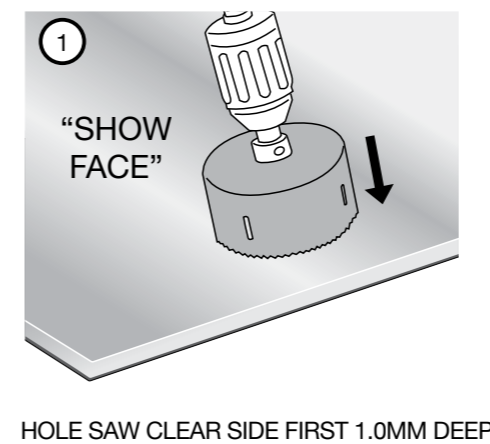
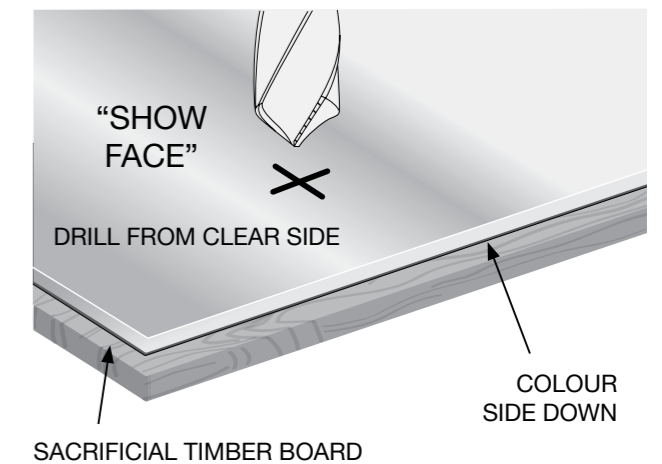
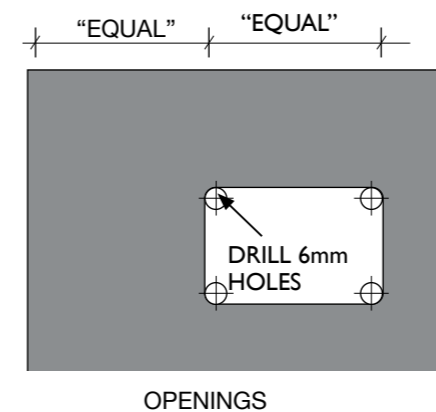
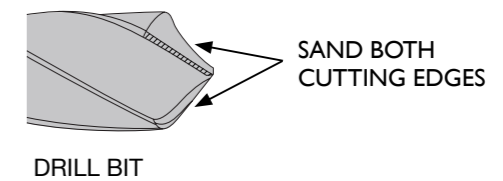
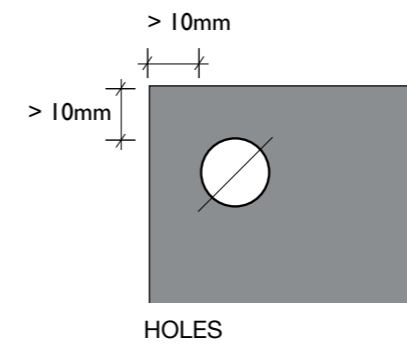
- When cutting or drilling Zenolite, always wear appropriate eye and ear protection
- Using a circular saw will deliver a straight and accurate cut. Best results will be achieved by cutting through the Zenolite and into the sacrificial support timber board
- Use fine cut blade for wood, plastic or aluminium. Always ensure they are new, sharp blades to avoid chipping the Zenolite
- Best results will be achieved using carbide tipped blades with 3 to 5 teeth per centimetre
- Do not allow blade to overheat, cooling by a jet of compressed air may be helpful for long cuts
- When using a portable circular saw cut with the colour side of the Zenolite sheet facing UP to reduce the risk of the cracking. If using a fixed table circular saw, cutting with the colour side of the Zenolite sheet facing DOWN will reduce the risk of the cracking



- A polished finish can be obtained in a single operation if diamond-tipped router tools are used
- Jigsaws with blades suitable for wood or plastics can be used for short distances such as power point openings. Do not allow blade to overheat. Cooling the blade by a jet of compressed air may be helpful
- Clean swarf away frequently after cutting to avoid damage to the protective film

## Drilling and Openings

- Drilled holes should be no closer than 10 mm to the edge of the sheet
- Do not create long openings close to the edge of the sheet, as the sheet will be difficult to handle during the install
- Always drill a hole at the corner of any cut-out or notch. Avoid cutting square inside corners
- Prepare the drill bit by lightly sanding with 180 grit fine sand paper on both cutting edges of the tip of the drill bit
- Drill from the face side of the Zenolite sheet to reduce the risk of cracking. Best results will be achieved with a slow to medium drill speed
- Fine toothed holesaws can be used for larger holes, cut from one side and then from the other side to achieve the best finish
- Step drills are ideal for mid size holes and opening smaller holes into larger ones




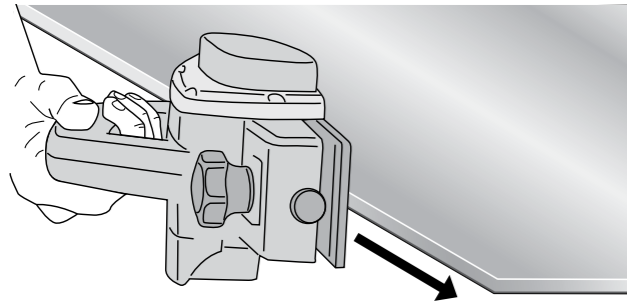
HOLE SAW CLEAR SIDE FIRST 1.0MM DEEP

HOLE SAW COLOUR SIDE SECOND TO COMPLETE THE HOLE

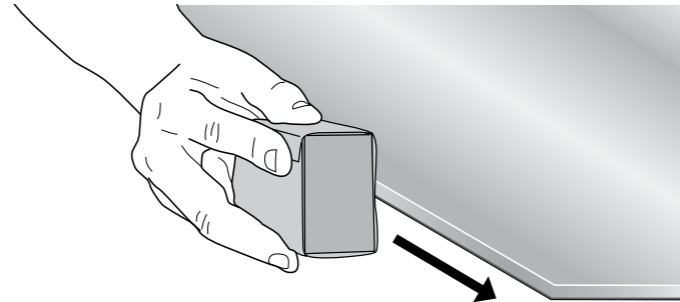
## Edge Finishing

- All sawn edges must be planed or sanded prior to installation
- A single pass with an electric planer will provide a smooth edge with a neat appearance
- Edges can also be sanded using medium and then fine sand paper
- Zenolite sheets are also compatible with many standard aluminium framed door systems for cabinets, wardrobes etc.

 Do not use PVC edge trimming or gaskets at any time



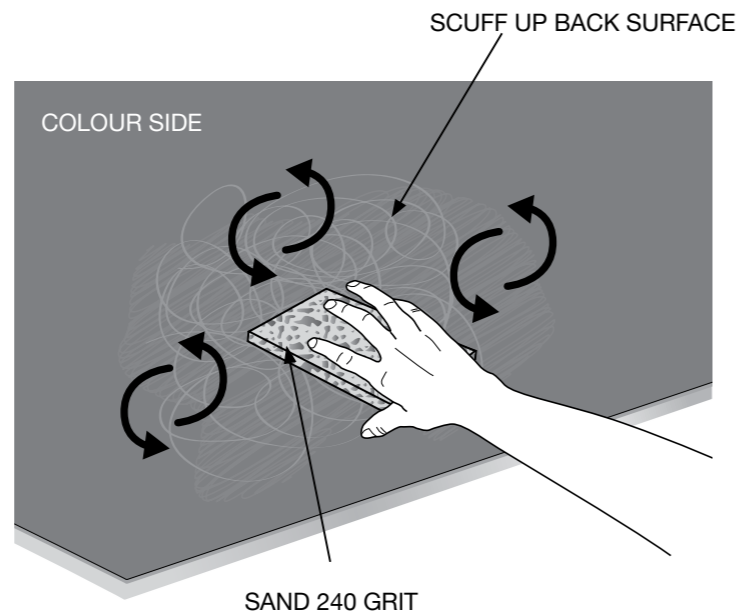
ELECTRIC PLANER



BLOCK SANDING  
STEP 1: MEDIUM 100 GRIT  
STEP 2: FINE 240 GRIT


## Panel Install

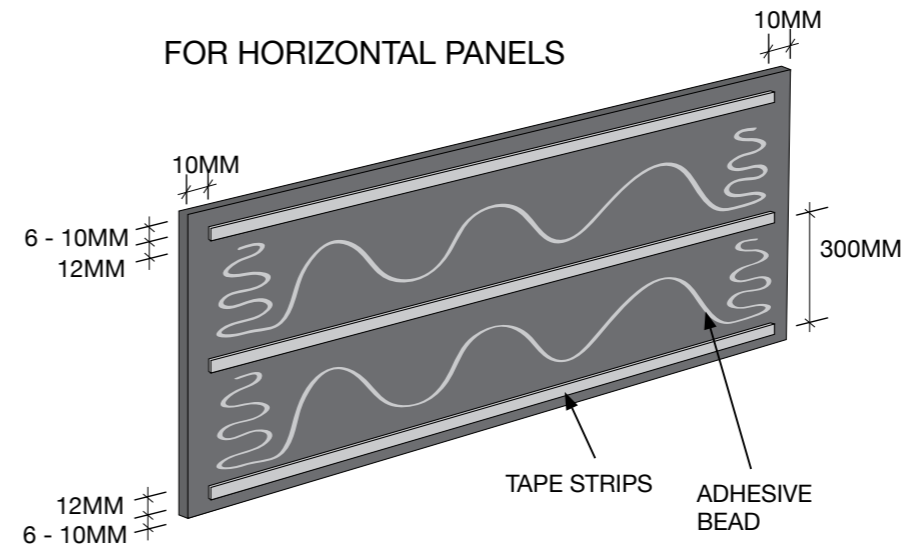
- Remove protective film from rear surface (the colour side)
- Scuff rear surface with coarse ScotchBrite® pad or 240 grit sandpaper
- Remove sanding dust with clean cloth or tack rag
- Ensure the rear surface is clean and free of dust or any other substance before applying the tape and silicone adhesive
- Apply 12 x 1.6 mm thick double sided tape with synthetic rubber adhesive horizontally along the inside surface of each panel at approximately 300 mm vertical spacing
- Dry fit each panel with tape applied to ensure trim size is correct
- Apply a 6 mm bead of translucent neutral cure silicone in wavy pattern between each tape strip. Do not use Acetic cure silicone
- Remove tape liner and install panel resting on 3 - 4 mm spacers at the bottom and 3 - 4 mm clear each end and 4 - 6 mm clear between panels
- Firmly rub down panel to ensure tape bonds and adhesive contacts the wall



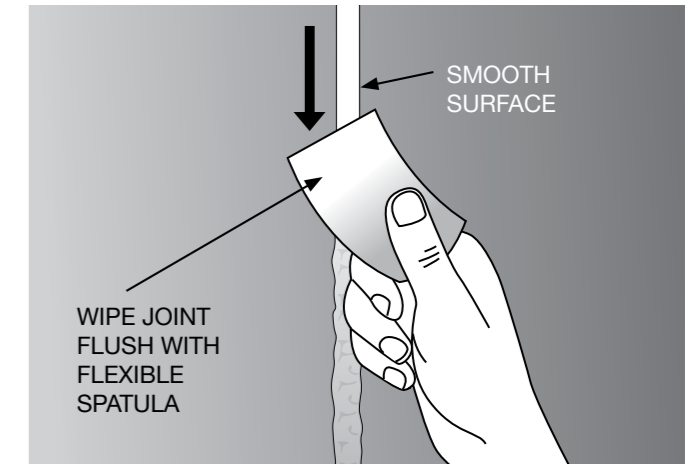
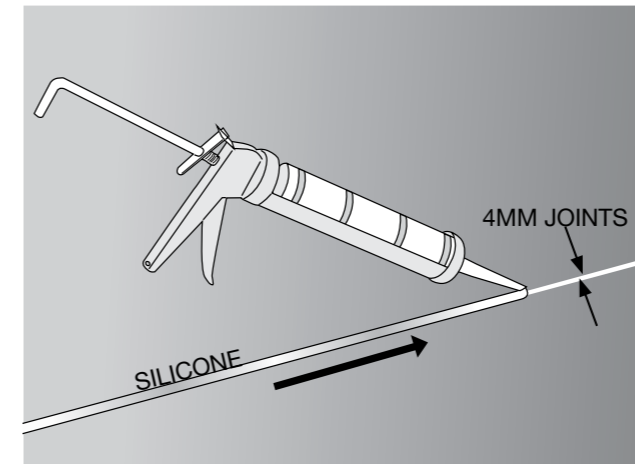
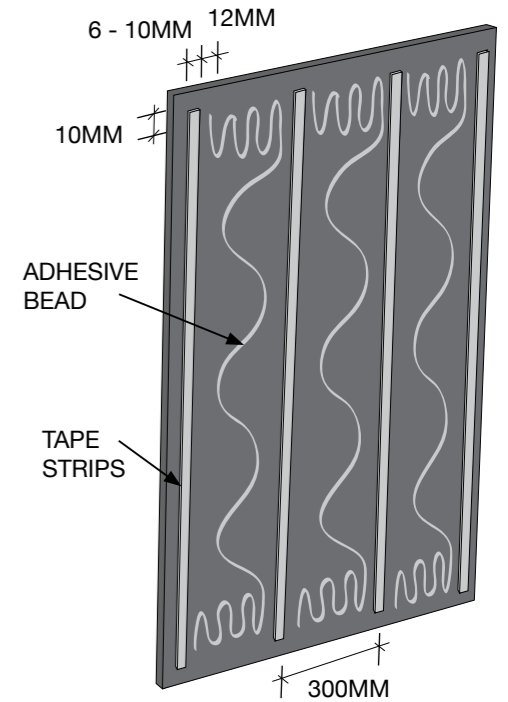
## Panel Install continued...

- Allow to dry for 24 hours before sealing all joints with **neutral cure** silicone
- To achieve a smooth finish on the silicone, mix up a 10% solution of mild dish washing liquid and water. Spray the solution over the silicone bead before wiping off with the spatula

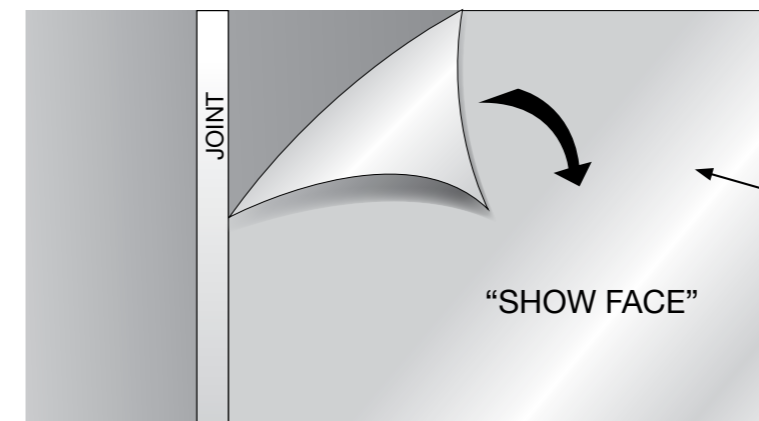
 Do not use Acetic cure silicone



FOR VERTICAL PANELS



- Immediately after the silicone is applied, carefully remove the outer protective film or masking tape in one continuous movement to achieve the best finish



REMOVE PROTECTIVE FILM OR MASKING TAPE IMMEDIATELY AFTER SILICONE IS MADE FLUSH

# Cleaning

Best results are achieved using a soft microfibre cloth or chamois with non abrasive detergent in warm water. Grease or oil can be removed with Kerosene and a microfibre cloth. Always rinse off with clean water.



Do not rub the Zenolite surface when it is dry



Do not use brushes, scrapers or paper towels at any time



Do not use window cleaners, acidic solutions, acetone, thinners, solvents, alcohol or other strong chemicals at any time

## Polishing and refinishing

Minor scratches and scuffing can be easily removed from Zenolite by hand using selected liquid polishes and soft microfibre cloths. More severe damage can be restored using extra cut polish and or very fine grades of wet and dry sand paper by hand or by machine.

- Always use clean cloths for applying polish and final buffing
- Apply polish sparingly to avoid over buffing
- For manual buffing use a light circular motion
- Apply liquid polish to the target area using cloth one. Then remove the liquid polish whilst still damp using cloth two.
- Use soft felt, flannel or foam buffs for machine polishing
- Polishing machine speed should be below 3000 rpm to avoid overheating the material

## 10 Year Limited Warranty

Zenolite panels are warranted for faulty materials for a period of 10 years, with 10% reducing value per year after the first 3 years. The warranty is void if incorrect installation or cleaning procedures have been used. The warranty does not include fabrication, installation, transportation, trade services or other consequential costs or damages of any kind.

The Zenolite warranty specifically excludes any claims based on poor handling, incorrect fabrication or installation techniques, abrasion or surface damage from inappropriate cleaning chemicals or methods, surface damage caused by contact with cookwear or utensils under any circumstances, and colour change or variation less than a Delta E or 5.

The responsibility for the removal and installation of a replacement product is with the owner and/or installer of where the manufacturer accepts that the product is completely at fault, a maximum contribution of \$200.00 towards the removal and installation will be made.

For more information visit [www.zenolite.com](http://www.zenolite.com)

© Copyright / Patent Pending 2012

Oakmoore Pty Ltd ABN: 13 056 159 570, trading as EGR.

1. EGR expressly disclaims any representations or warranties of any kind, whether express or implied, as to the accuracy, currency, completeness and/or the merchantability or fitness for a particular purpose of any information contained in or provided via this documentation and/or any service or product described or promoted in this document. 2. It is the customer's responsibility to thoroughly examine Zenolite by a qualified person, to determine whether it is suitable for the application it was purchased for. 3. The receiver of our products is fully responsible to check and to take into account possible third party's patent rights, as well as the existing laws in the country of installation prior to installing our product. 4. No liability may be derived from these images or statements nor from our free technical advice. 5. Printed images are to be used as a guide only.