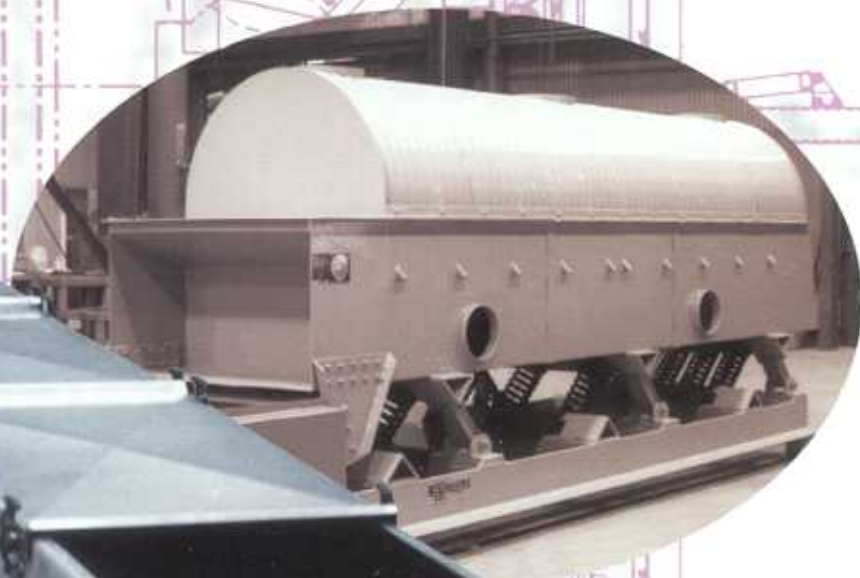
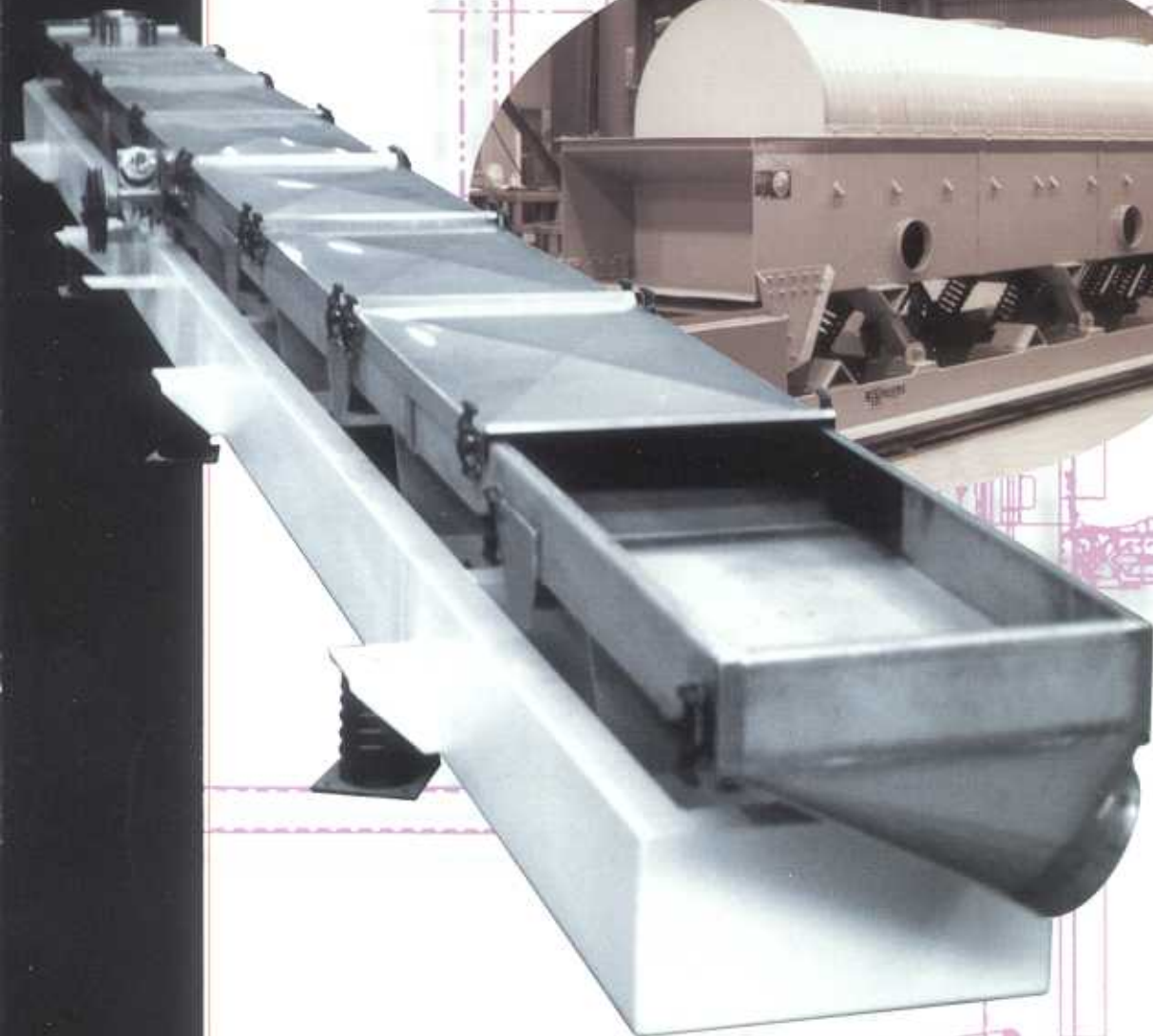




Triple/S Dynamics, Inc.

Vibrating Conveyors



Why Specify a Vibrating Conveyor?

Vibrating conveyors are the best choice for moving free-flowing solids where the benefits of a quiet, clean, low maintenance conveyor are required.

Vibrating conveyors are designed to provide material travel rates ranging from just a few feet per minute to over one hundred feet per minute. Properly designed and balanced conveyors transmit very little dynamic load to supporting

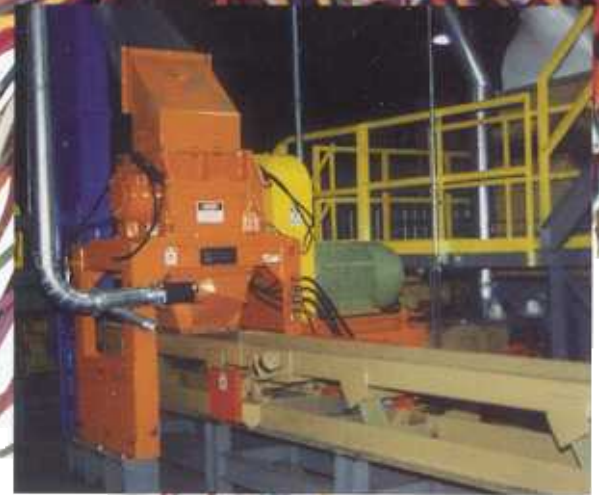
members, and may be operated under continuous duty for years with very little maintenance.

Vibrating conveyors are available today featuring a variety of drive and suspension arrangements. Triple/S

This sanitary, balanced conveyor serves as an inspection station for grapes as they are received in a winery.

Dynamics engineers have a large library of design standards from which a custom combination of the best features for each application can be assembled.

This standard unbalanced natural frequency vibrating conveyor economically conveys chopped scrap wire from a granulator.



Value Added Processing

The vibrating conveyor can be designed to integrate one or more process steps into the machine.

With over 100 years of experience in process equipment design and application, Triple/S Dynamics is imminently qualified to supply a broad range of vibrating equip-

ment custom designed to best meet the needs of each application.

From an evaluation of the conveying or process objectives, through product testing in the Triple/S Dynamics' Application Testing Lab, to design engineering and

production in the company's manufacturing plant, each step of equipment development is tailored to best match the company's capabilities to the needs of the customer.

Some of these processes include:

material size separations,

length separations,

heating, cooling, drying

de-dusting

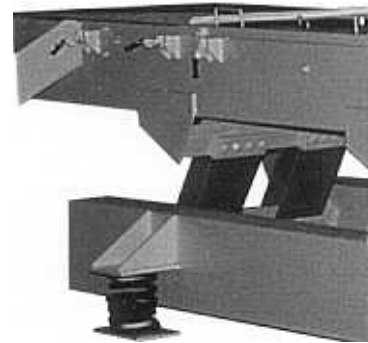
de-shingling/singulating,
aligning

de-watering/washing
metal detection

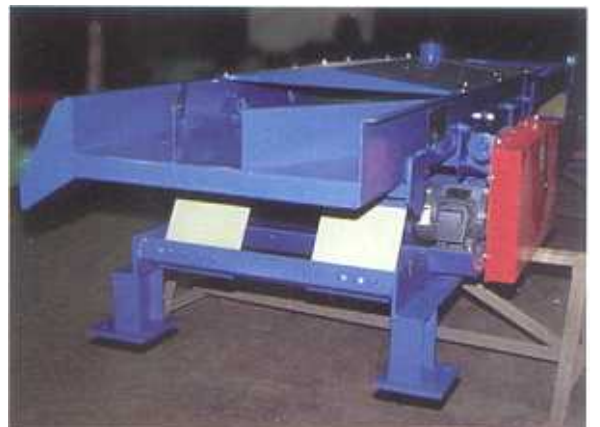
magnetic separation



These conveyors were specially designed with removable pan sections for maintenance access after the conveyors are installed below a floorline.

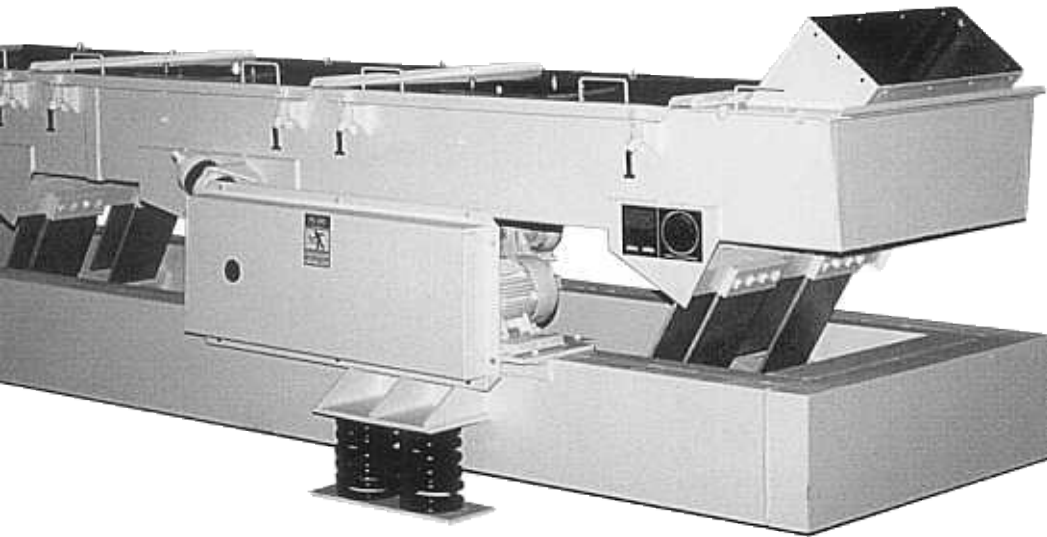
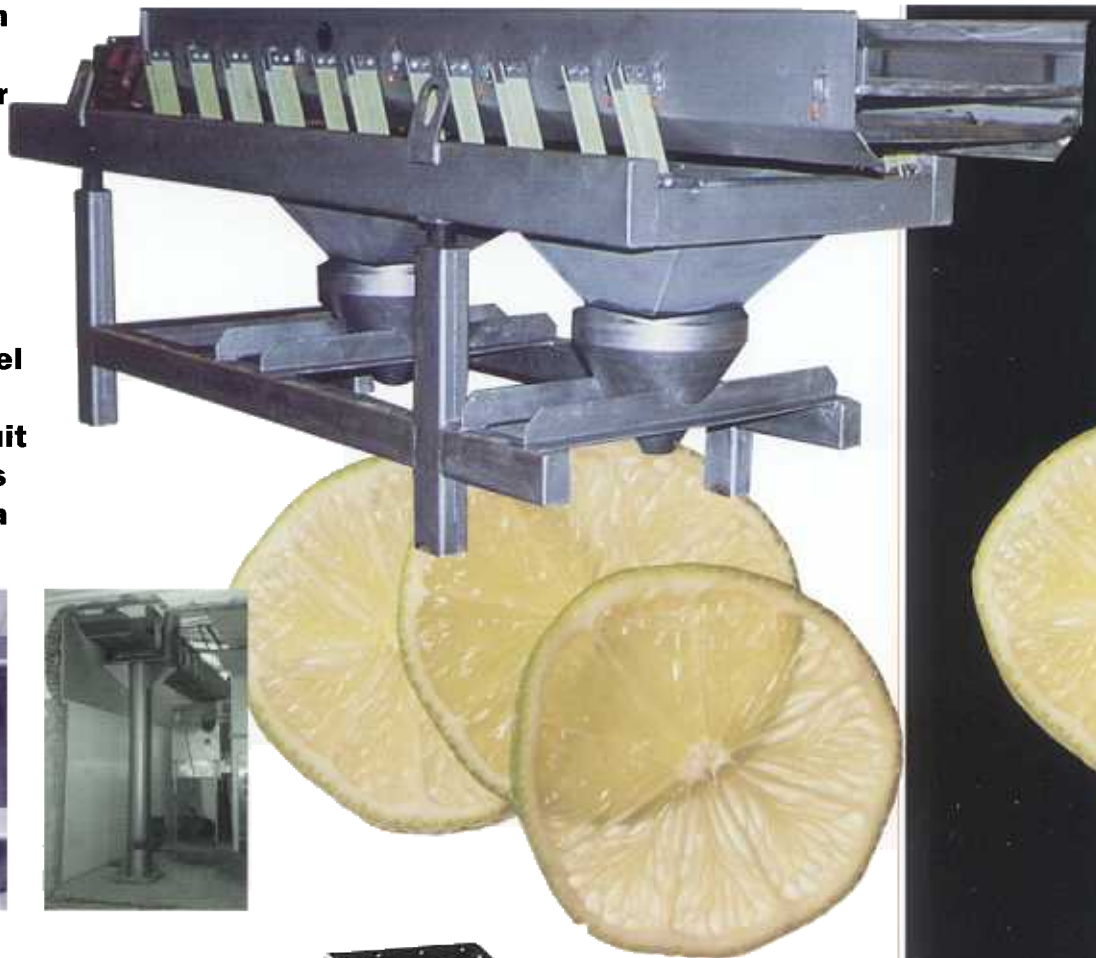


Including a stainless steel section to pass rubber granules under a belt magnet for steel separation, this machine also includes a screening section to remove fines from ground scrap tire rubber.



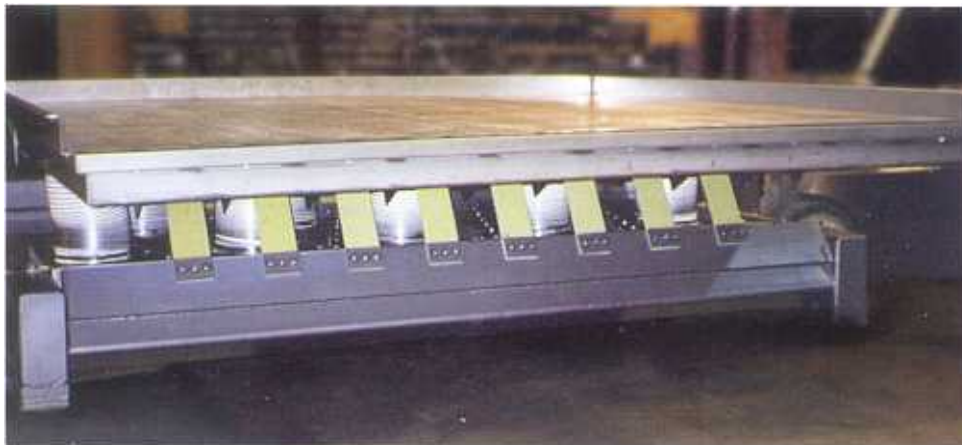
USDA accepted construction was included in the design of this de-watering conveyor installed for a sausage producer.

This sanitary conveyor, equipped with stainless steel balance frame and support columns dewaters sliced fruit and distributes the products evenly across the width of a freezing tunnel.



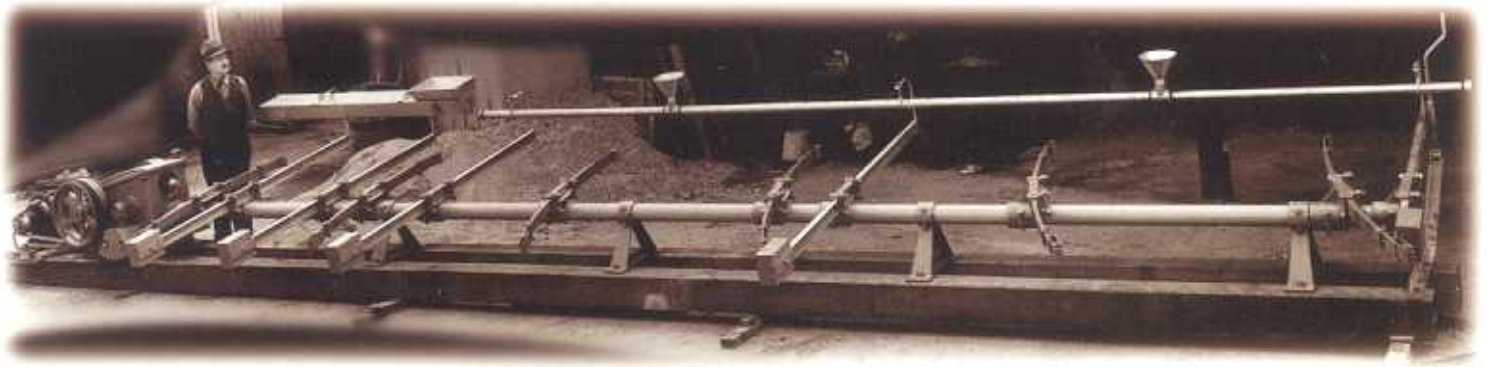
This balanced conveyor is equipped with dust covers and screens for removing dust and fines from polypropylene pellets.

Fluidizing air is forced through the ten foot wide deck of this unit to aid the spreading of sliced onions as they are distributed onto a dryer belt.



Why Source Vibrating Conveyors from Triple/S Dynamics?

Triple/S Dynamics began in Dallas, Texas in 1888 as Sutton, Steele & Steele. Walter and Edwin Steele combined with inventive genius Henry Sutton to pioneer the use of airflow, vibration, and electric fields in providing separations of dissimilar materials. Through the first



This improbable contraption includes one of the earliest horizontal differential motion conveyor drives, circa 1941.

quarter of the twentieth century, Sutton, Steele & Steele invented specialized separations machinery for mineral and agricultural applications.

Triple/S Dynamics today maintains the same mission of its pioneering founders: Partnering with our Customers to identify their processing objectives; providing solutions with research, engineering expertise and quality manufacturing.



A manually actuated hydraulic cylinder assists in the inclination adjustments of this unknown vintage, "V" bottom design.



Triple/S Dynamics, Inc.
PO Box 151027
Dallas, Texas 75315-1027
214-828-8600
1-800-527-2116
Fax: 214-828-8688
E-mail: sales@sssdynamics.com

