

SignPoint®



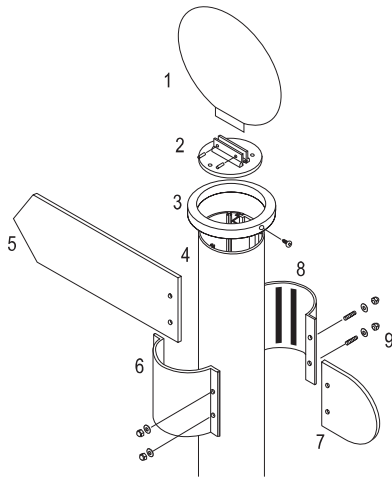
Multi-Directional Sign System

Fingerpoint signs are one of the oldest and most understandable forms of directional signing. In today's complex environments, this simple, radial concept provides one of the best solutions for both vehicular and pedestrian traffic, inside and outside. SignPoint maximises design options with a strong, adaptable system based on a traditional and time tested concept.

Your Source for Sign Systems

APCO

SPECIFICATION GUIDE



- 1. Circular Crown Panel
 - 2. Circular Post Cap w/Crown Slot
 - 3. Circular Decorative Ring w/Set Screw
 - 4. Circular Post
 - 5. SignPoint Directional Blade (5mm thick aluminium)
 - 6. Clamp
 - 7. Tail Detail
 - 8. Gasket Material
 - 9. Attachment Hardware
- Important:** Post Filler must be ordered separately

Post



SPC100
100mm
Circular Post

Post Cap



PCC100
Flat Circular
Post Cap

Decorative Ring



SPCDR*
Circular
Decorative Ring

* Includes necessary set screw(s).

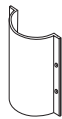
Clamps - 180° & 90° *



SPCC180-600
600mm



SPCC180-450
450mm



SPCC180-300
300mm



SPCC180-200
200mm



SPCC180-150
150mm



SPCC90-600
600mm



SPCC90-450
450mm



SPCC90-300
300mm



SPCC90-200
200mm



SPCC90-150
150mm

* Custom Sizes Also Available

Standard Finishes

Mill
Powder Coated 200+ RAL Colours