



# **i**nformation Guide



Sales 01234 242724 Fax 01234 242700/1  
E-mail [sales@windowware.co.uk](mailto:sales@windowware.co.uk)

For On-line Ordering and further information, please visit [www.windowware.co.uk](http://www.windowware.co.uk)



## Order by

- Phone      Sales                      01243 242724  
                 Trade Counter      01234 242734
- Fax           Sales                      01234 242700/1  
                 Trade Counter      01234 242735
- E-mail       sales@windowware.co.uk  
                 tradecounter@windowware.co.uk
- On-line      www.windowware.co.uk 

## Technical Support

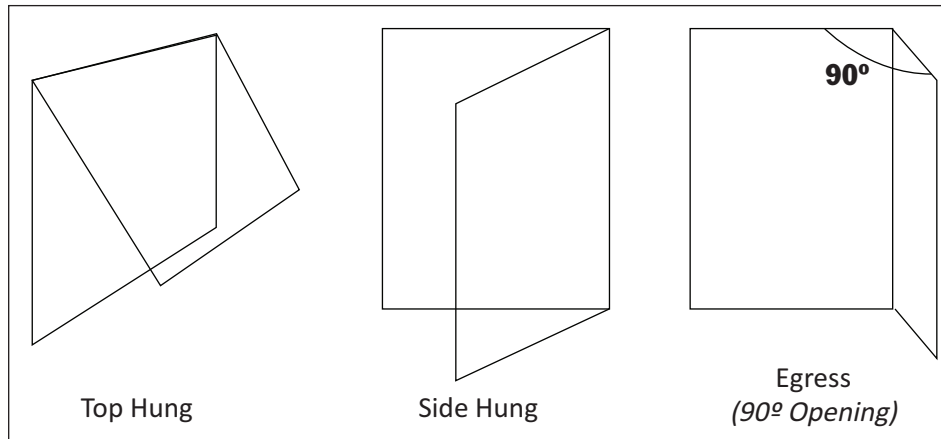
- Phone       01234 242738
- E-mail       technical@windowware.co.uk

Trade Counter 01234 2427234 Fax 01234 242735  
E-mail tradecounter@windowware.co.uk

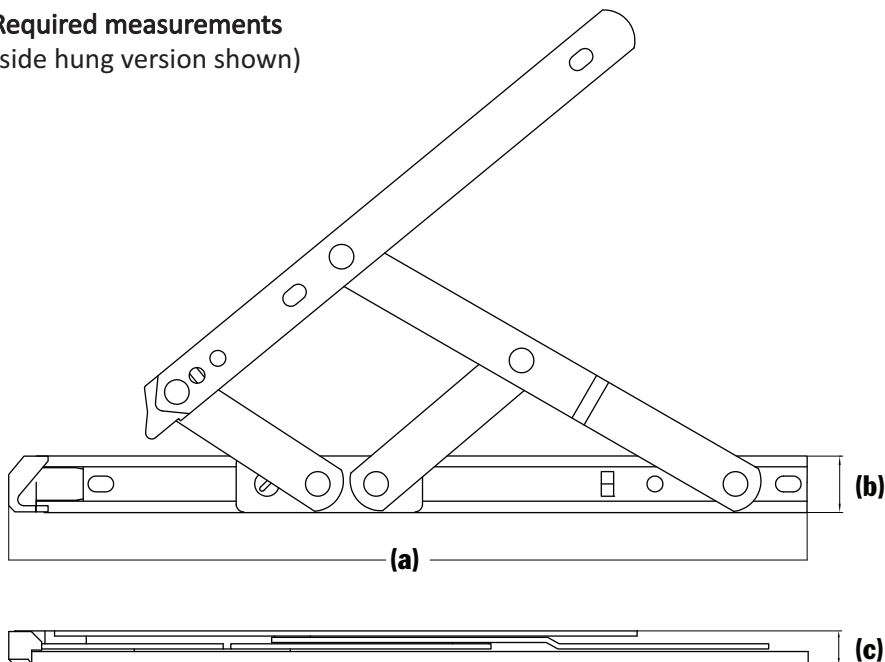
# INFORMATION

## Window Hinges

### Opening Angle Diagrams



### Required measurements (side hung version shown)



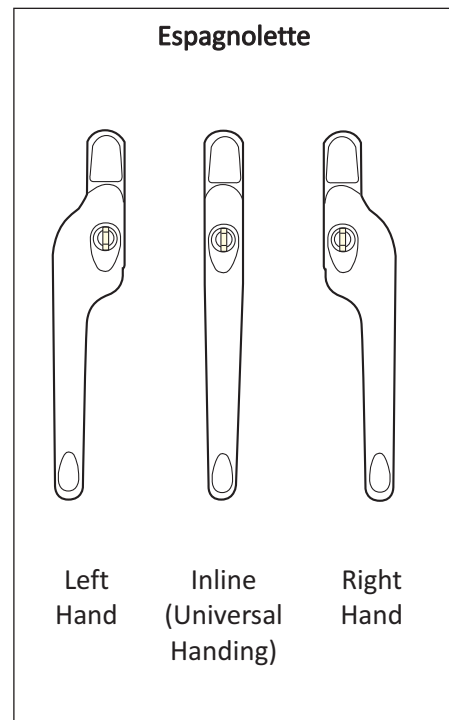
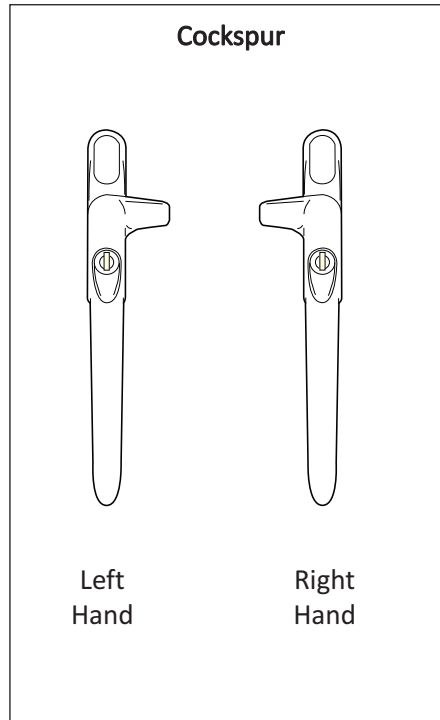
### Required information:-

- |     |  |                   |
|-----|--|-------------------|
| (a) | Length in inches                         | i.e. 10"          |
| (b) | Width in millimetres                     | i.e. 18mm         |
| (c) | Depth of hinge (stack height)            | either 13 or 17mm |
| (d) | Top hung, side hung or side hung egress? |                   |

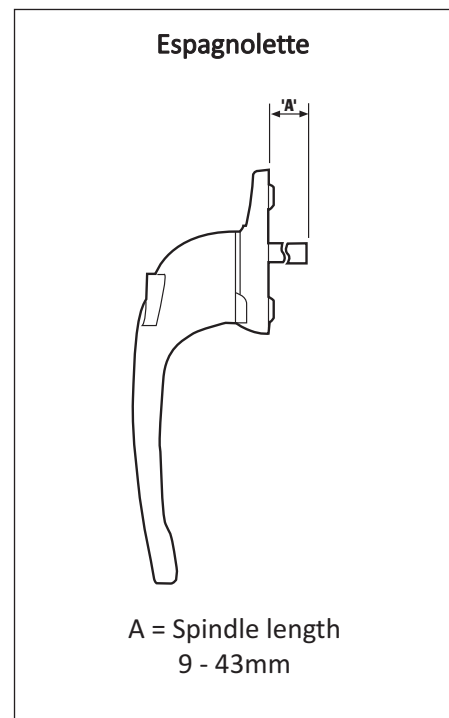
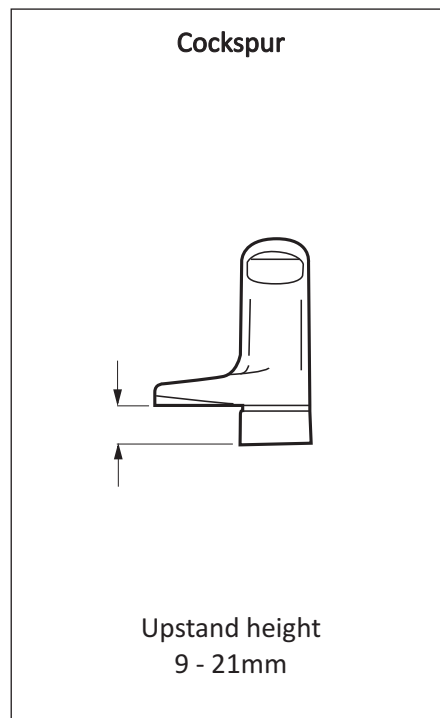
# INFORMATION

## Window Handles

### Handle Types



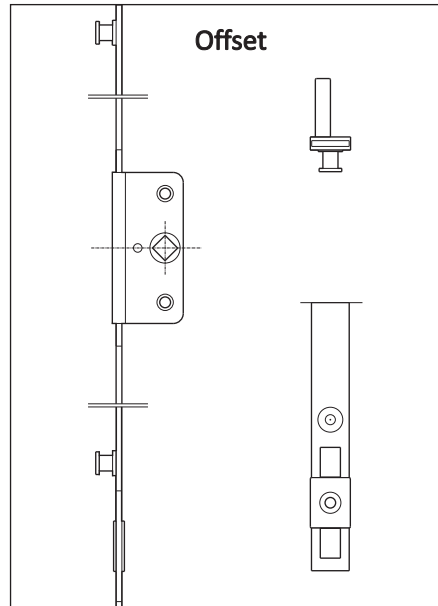
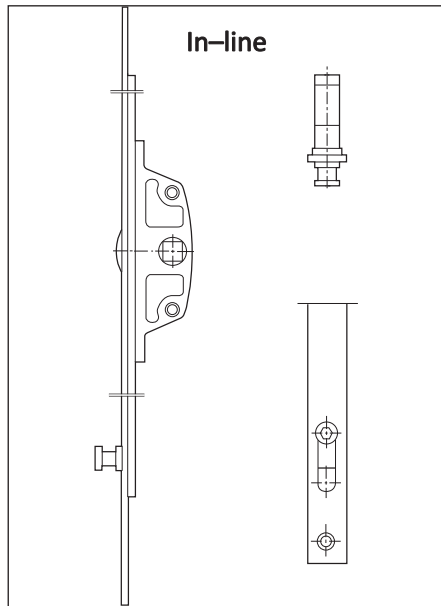
### Required Measurements



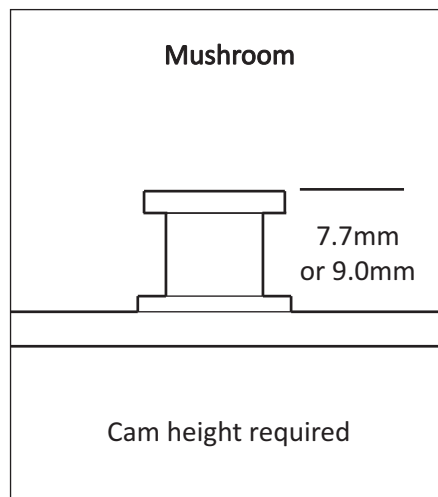
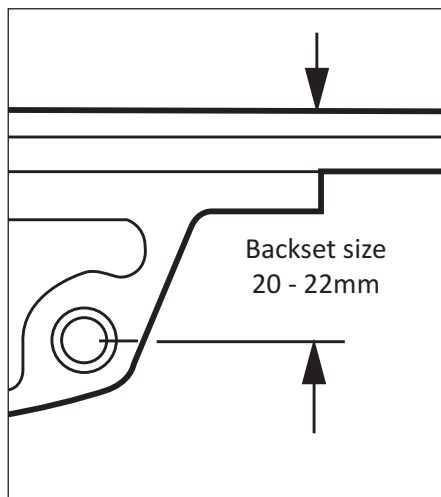
# INFORMATION

## Window Shootbolts and Espagnolette Bolts

### Types



### Required Measurements

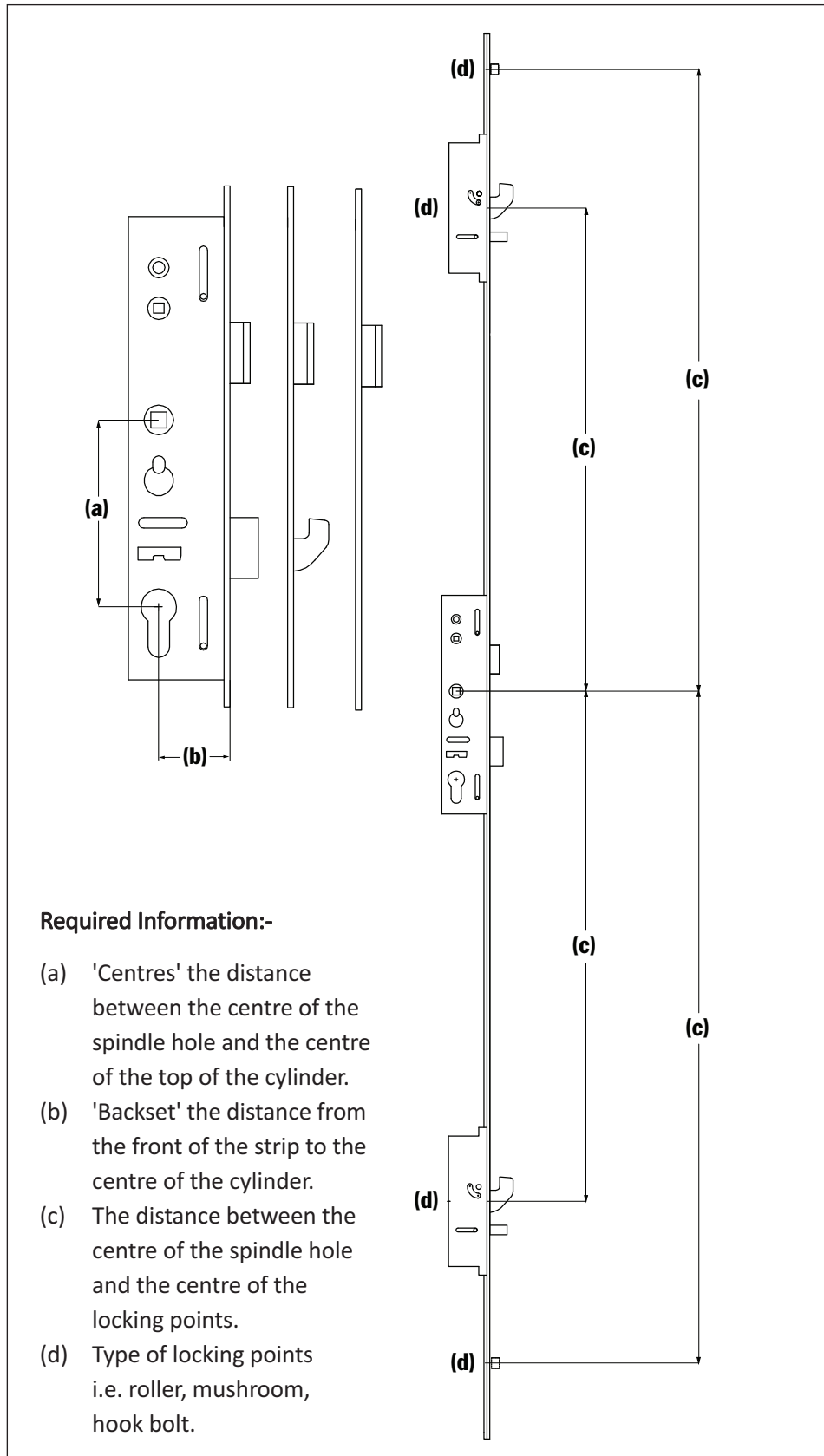


### Other required information

Profile system for keeps (as they are profile specific)  
Size of the window (for shootbolt bar lengths)

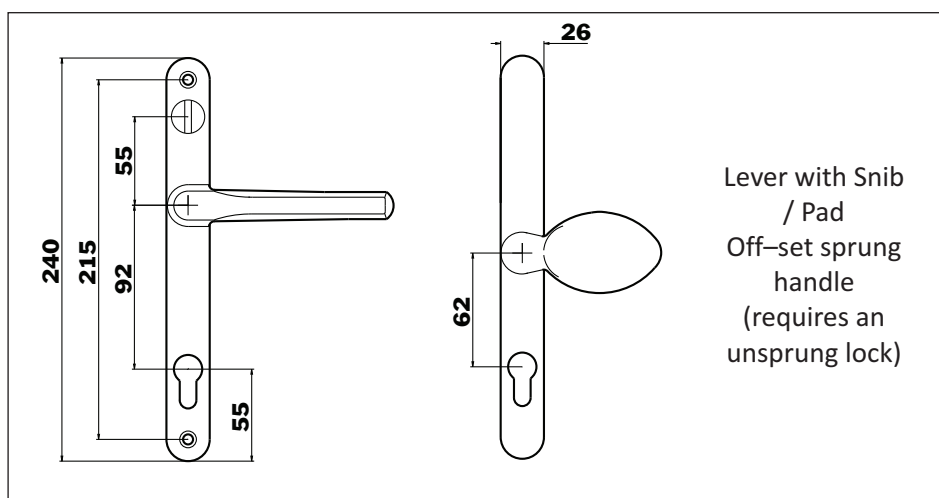
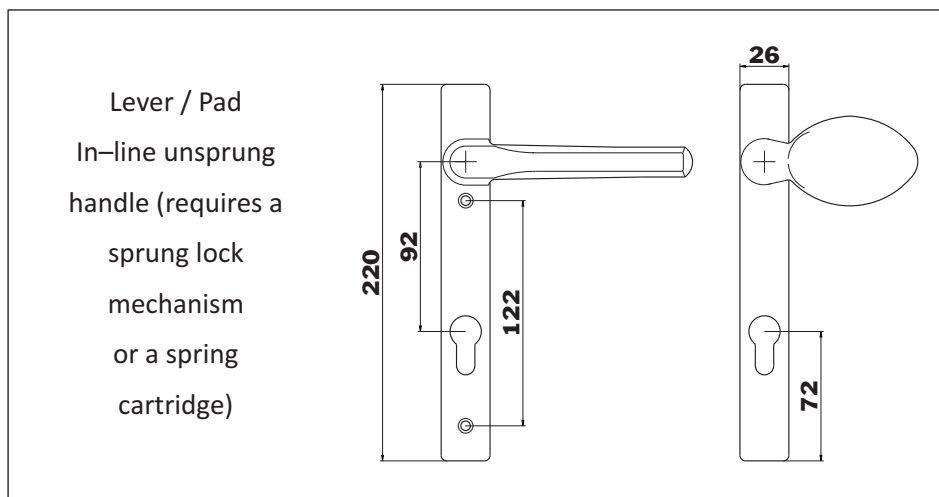
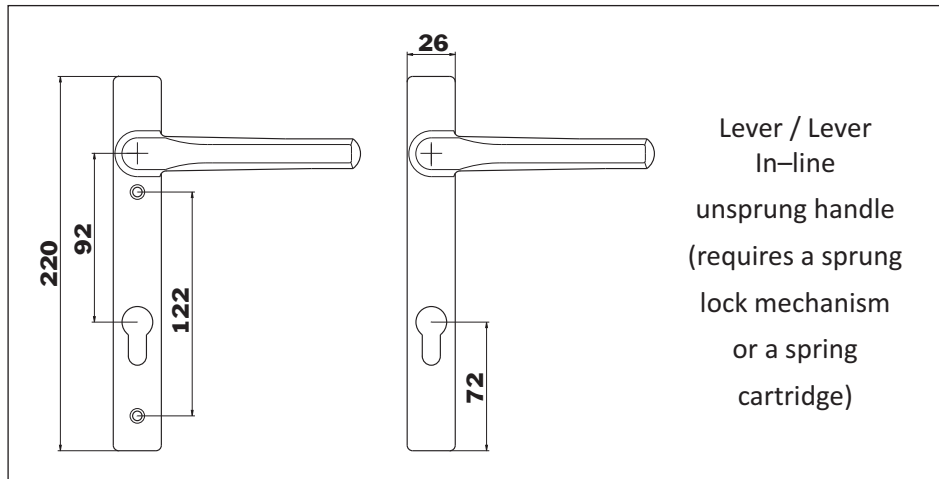
# INFORMATION

## Door Bolts



# INFORMATION

## Door Handle Types



Other configurations available:- Blank Plate (no cylinder hole or handle - internal or external). Dummy Lever (no cylinder hole, handle does not operate). Lever on Blank Plate (no cylinder hole, handle operates). Fixed Lever or Pad (does not move).

# INFORMATION

## Profile Cylinder Guide

### Typical Cylinder Styles

**Key both sides**

**Thumb turn inside and Key outside**

When ordering thumb turns, please make sure you state the side with the thumb turn first. To determine the size, measure 'A' then 'B' Example: A=40mm, B=45mm. Order a 40/45.

Example of a typical profile including handle back plates

### Typical Door Cylinder Options

**Paired cylinders**

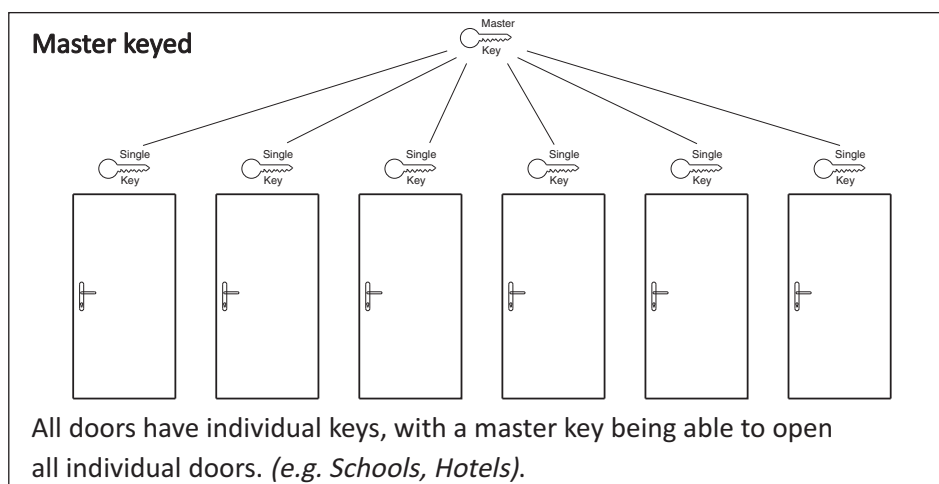
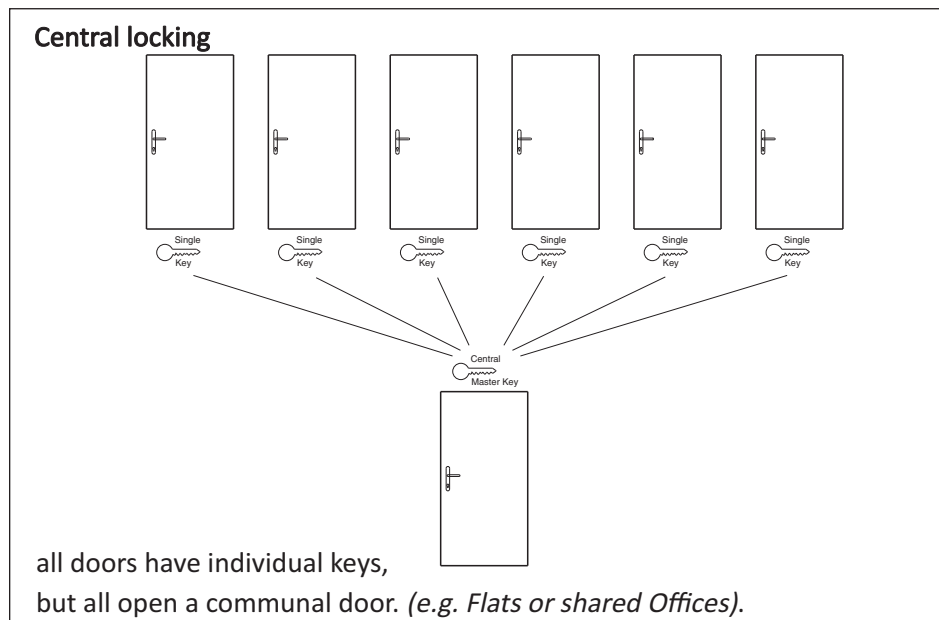
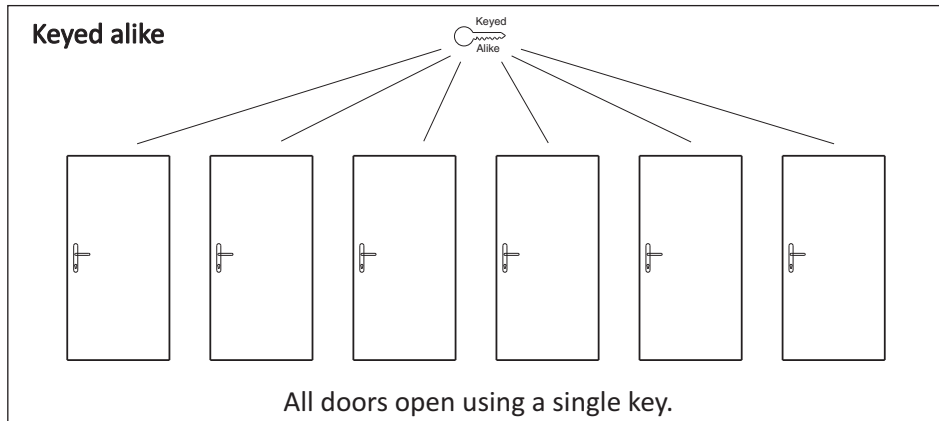
Both doors open using a single key. (e.g front and back doors).



# INFORMATION

## Profile Cylinder Guide

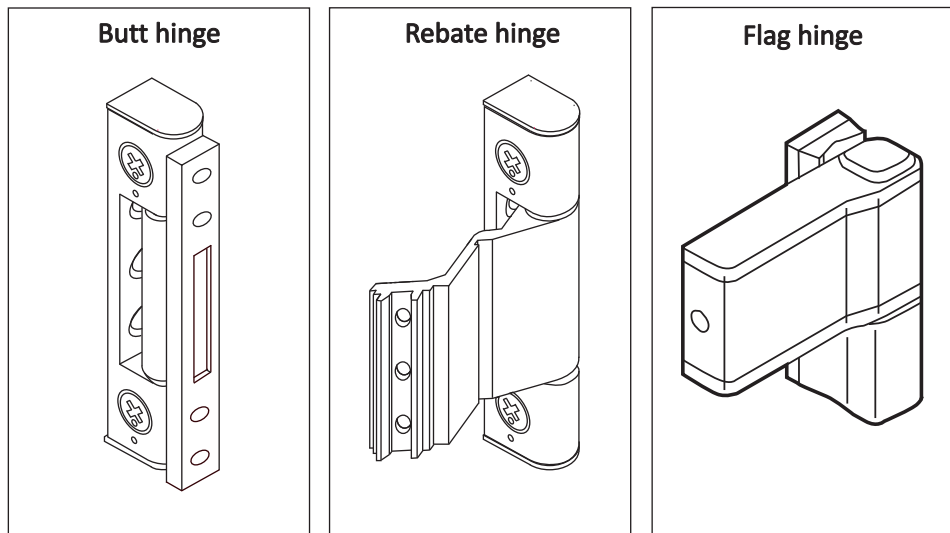
### Typical Door Cylinder Options Continued



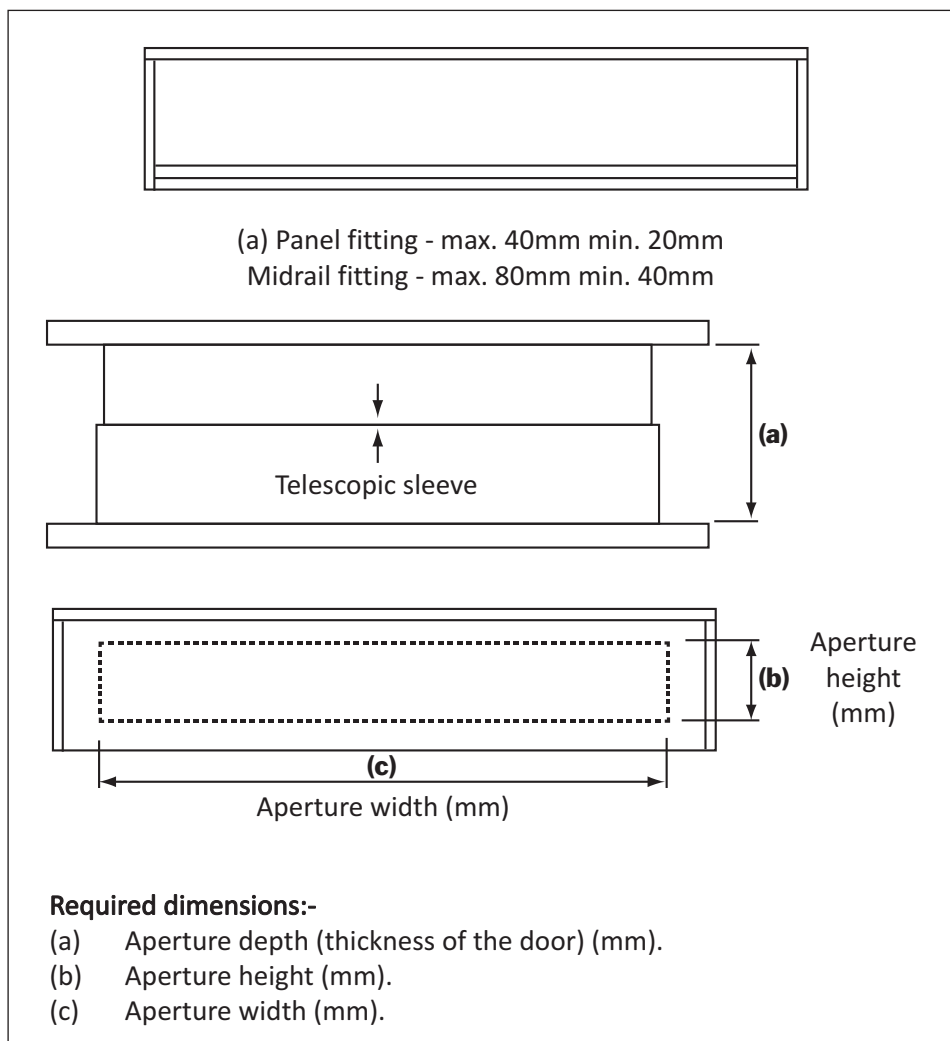
# INFORMATION

## Door Hinges & Letterplates

### Door Hinge Types



### Letterplates

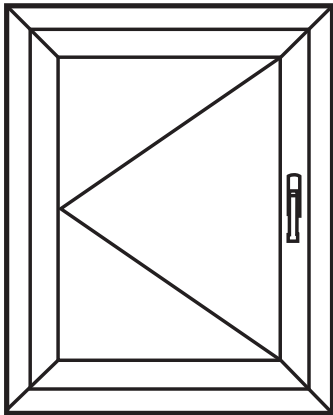


# INFORMATION

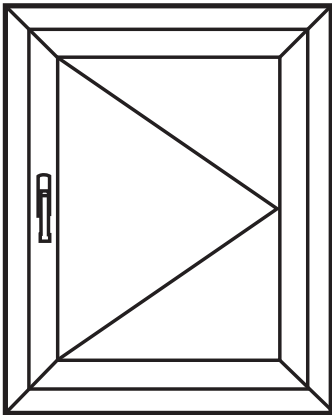
## Tilt Before Turn & Door Handing



### Tilt Before Turn Handing - Viewed from inside

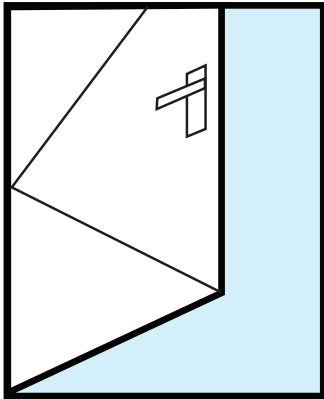


Left Hand

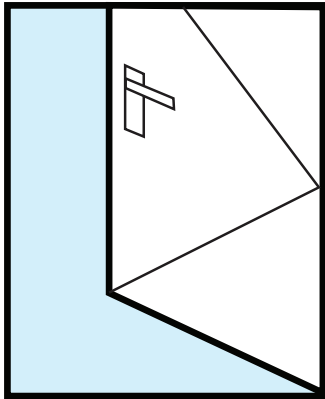


Right Hand

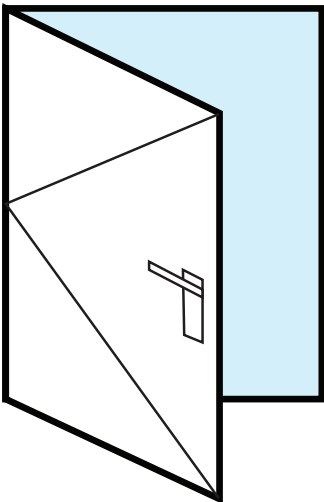
### Door Handing - Viewed from inside



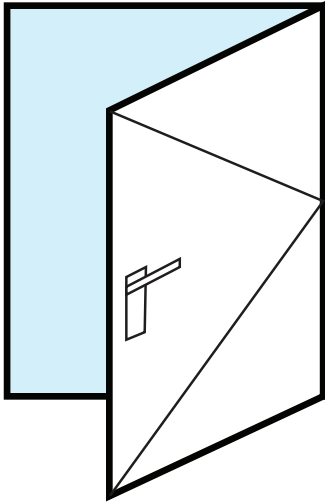
Open Out  
Right Hand Keep



Open Out  
Left Hand Keep



Open In  
Left Hand Keep



Open In  
Right Hand Keep



**Sales 01234 242724 Fax 01234 242700/1**  
**E-mail [sales@windowware.co.uk](mailto:sales@windowware.co.uk)**

For On-line Ordering and further information, please visit [www.windowware.co.uk](http://www.windowware.co.uk)

Window Ware Telford Way, Cross Park, Bedford, MK42 0PQ ISO 9001:2000 Certificate No. 4010475