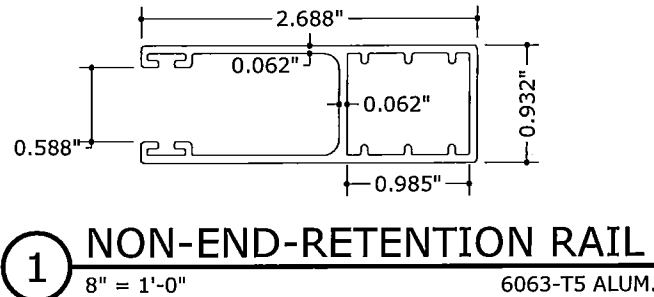
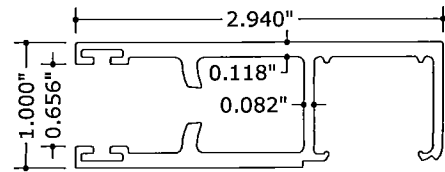


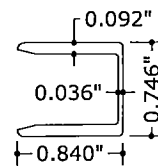
12/01/2011 - 9:50am keithl F:\01 Project Files\Alutech United, Inc (AUJ)\2011\11-AUI-0001 Barracuda III (FSA) Initial Sub\11-AUI-0001_02a Barracuda Roll-up Shutter (FSA).dwg



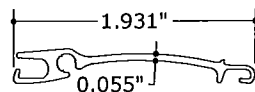
1 NON-END-RETENTION RAIL
8" = 1'-0" 6063-T5 ALUM.



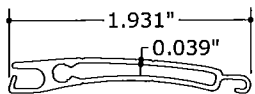
2 END-RETENTION RAIL
8" = 1'-0" 6063-T5 ALUM.



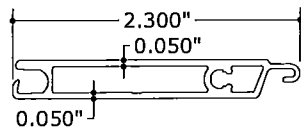
5 END-RETENTION RAIL INSERT
8" = 1'-0" PLASTIC



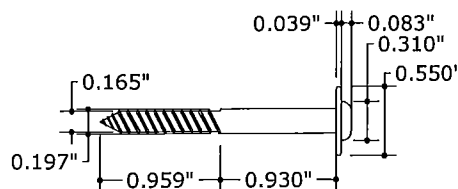
7 SINGLE WALL SLAT
8" = 1'-0" 6063-T5 ALUM.



8 DOUBLE WALL SLAT
8" = 1'-0" 6063-T5 ALUM.



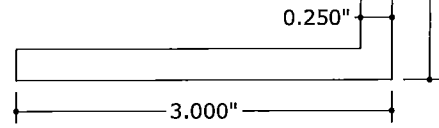
9 BASE SLAT
8" = 1'-0" 6063-T5 ALUM.



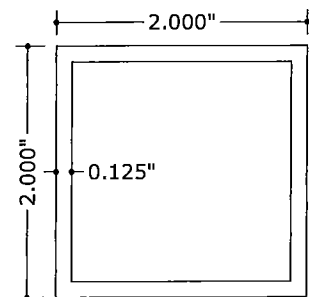
10 RETAINING SCREW
8" = 1'-0" 304 S.S.



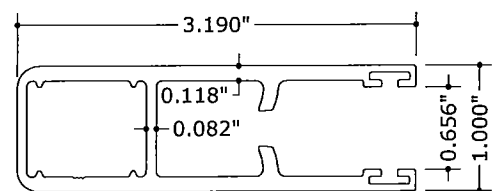
6 END-RETENTION RAIL SNAP COVER
8" = 1'-0" 6063-T5 ALUM.



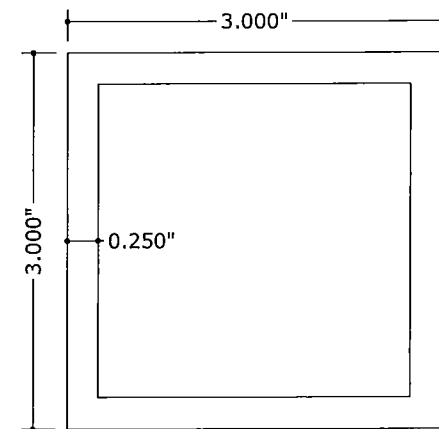
3 3"x3"x0.250" ANGLE
8" = 1'-0" 6063-T5 ALUM.



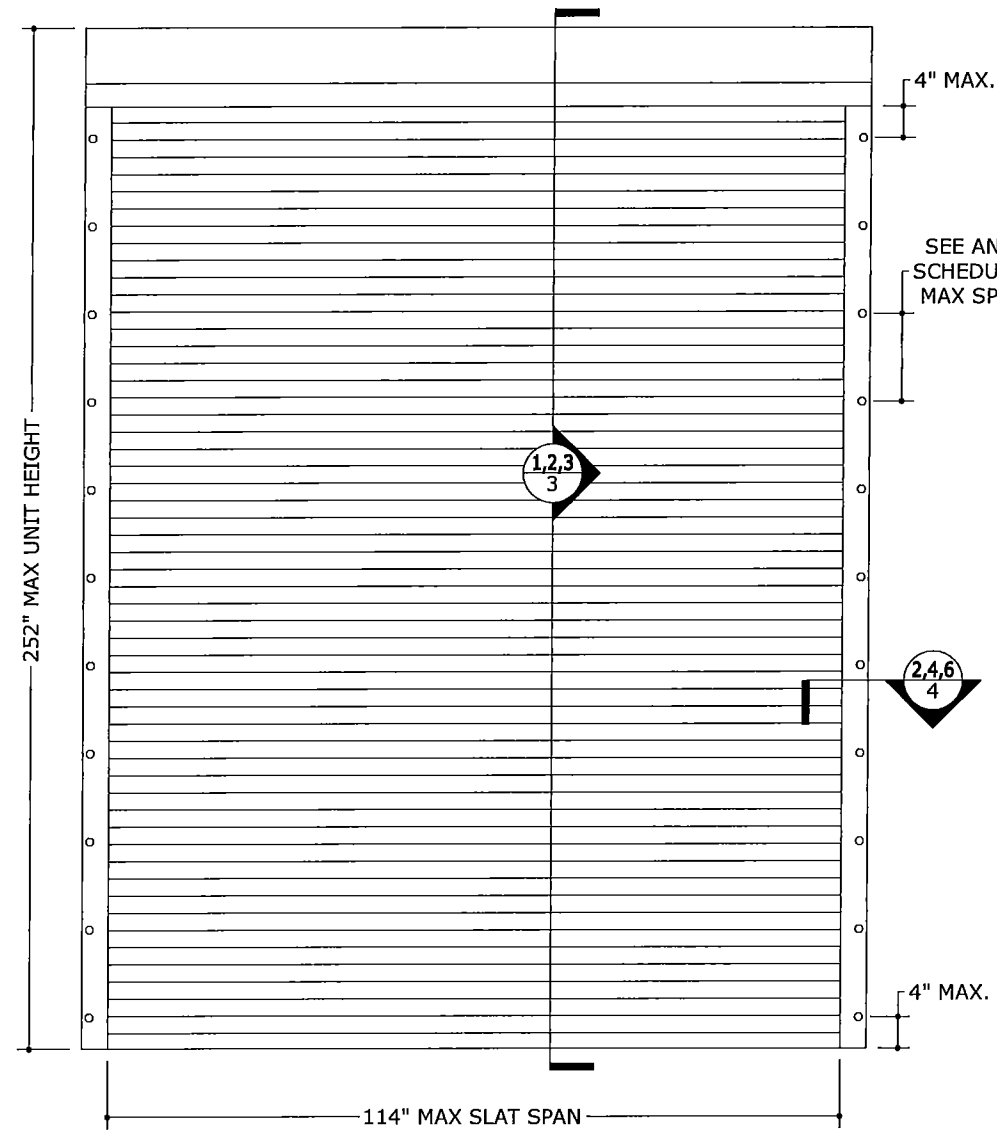
4 2"x2"x0.125" TUBE
8" = 1'-0" 6063-T5 ALUM.



11 "BIII.1" END-RETENTION RAIL
8" = 1'-0" 6063-T5 ALUM.



12 3"x3"x0.250" TUBE
8" = 1'-0" 6063-T5 ALUM.



1 END RETENTION SHUTTER WITH SINGLE WALL SLATS
2 N.T.S. EXTERIOR ELEV

ALLOWABLE DESIGN PRESSURES
END RETENTION SHUTTER WITH SINGLE WALL SLATS*
+50 PSF / -50 PSF

- *END RETENTION SHUTTER WITH SINGLE WALL SLAT NOTES:**
- END RETENTION SHUTTER WITH SINGLE WALL SLATS MAY NOT BE INSTALLED IN WIND ZONES 3 OR 4 OR ESSENTIAL FACILITIES, AS DEFINED IN ASTM E1996 AND MODIFIED IN 2010 FBC SECTION 1609.1.2.4.
 - SYSTEM HAS BEEN DESIGNED AS A NON-POROUS ASSEMBLY AND NO SEPARATION FROM GLAZING IS REQUIRED.

FRANK L. BENNARDO
P.E. #1240549
LICENSED PROFESSIONAL ENGINEER
STATE OF FLORIDA
WWW.ENGEXP.COM
CERT OF AUTH #8885

ALUTECH UNITED, INC.
117 DIXON STREET
SELBYVILLE, DE 19975
PHONE: 302 - 436 - 6005 FAX: 302 - 436 - 5100
BARRACUDA ROLL-UP SHUTTER
FLORIDA PRODUCT APPROVAL
NON-HVHZ

DRWN	CHKD	DATE
KL	FLB	02/07/11
KL	FLB	11/23/11

REMARKS: INIT ISSUE 2010 FBC

THIS DOCUMENT IS THE PROPERTY OF FRANK L. BENNARDO, P.E. AND SHALL NOT BE REPRODUCED IN WHOLE OR PART WITHOUT WRITTEN CONSENT OF FRANK L. BENNARDO, P.E. ALTERNATIONS, ADDITIONS, REVISIONS, OR OTHER CHANGES TO THIS DOCUMENT ARE NOT PERMITTED AND INVALIDATE OUR CERTIFICATION.

COPYRIGHT FRANK L. BENNARDO P.E.

11-AUI-0001

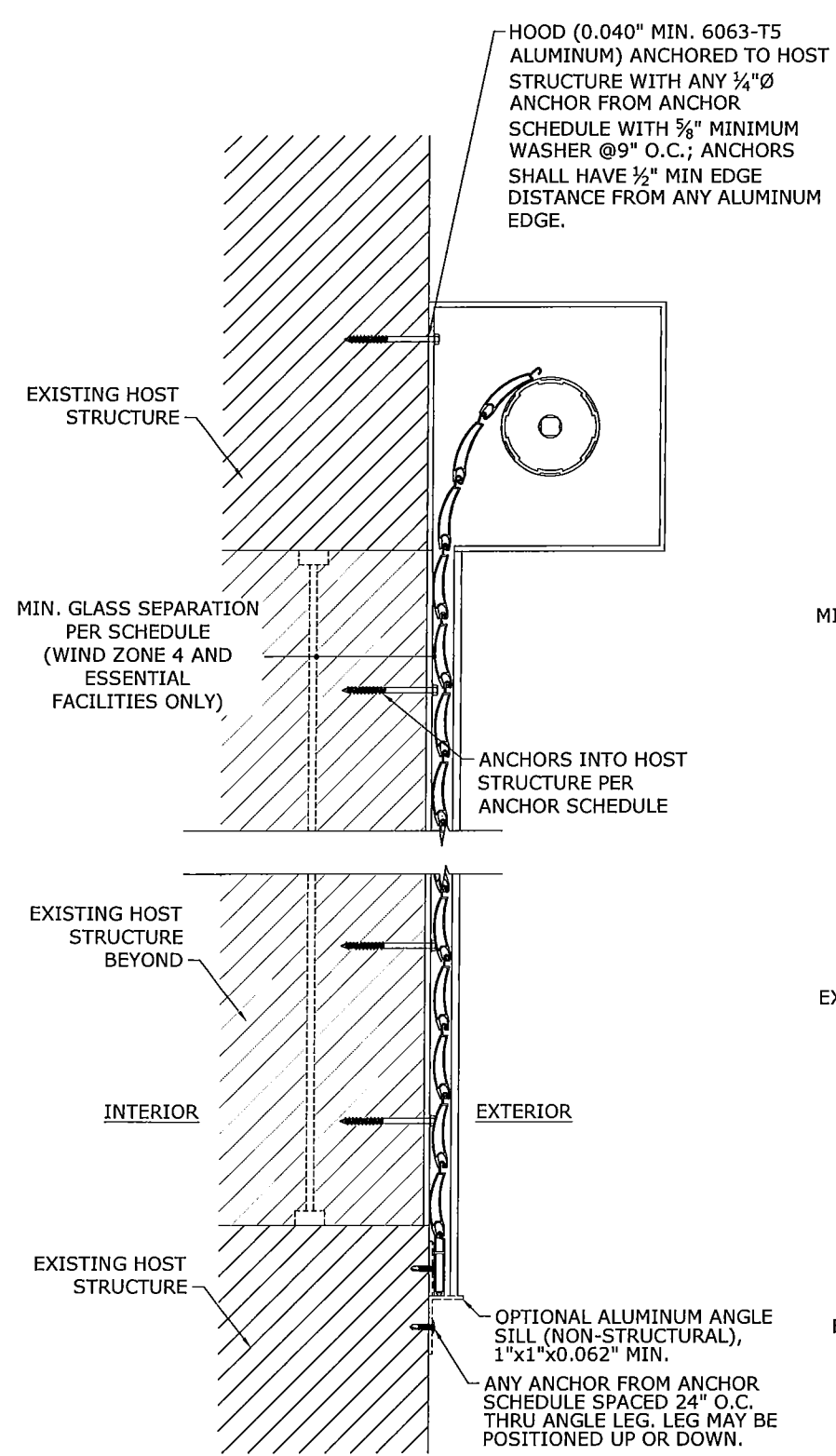
SCALE: 02

PAGE DESCRIPTION:

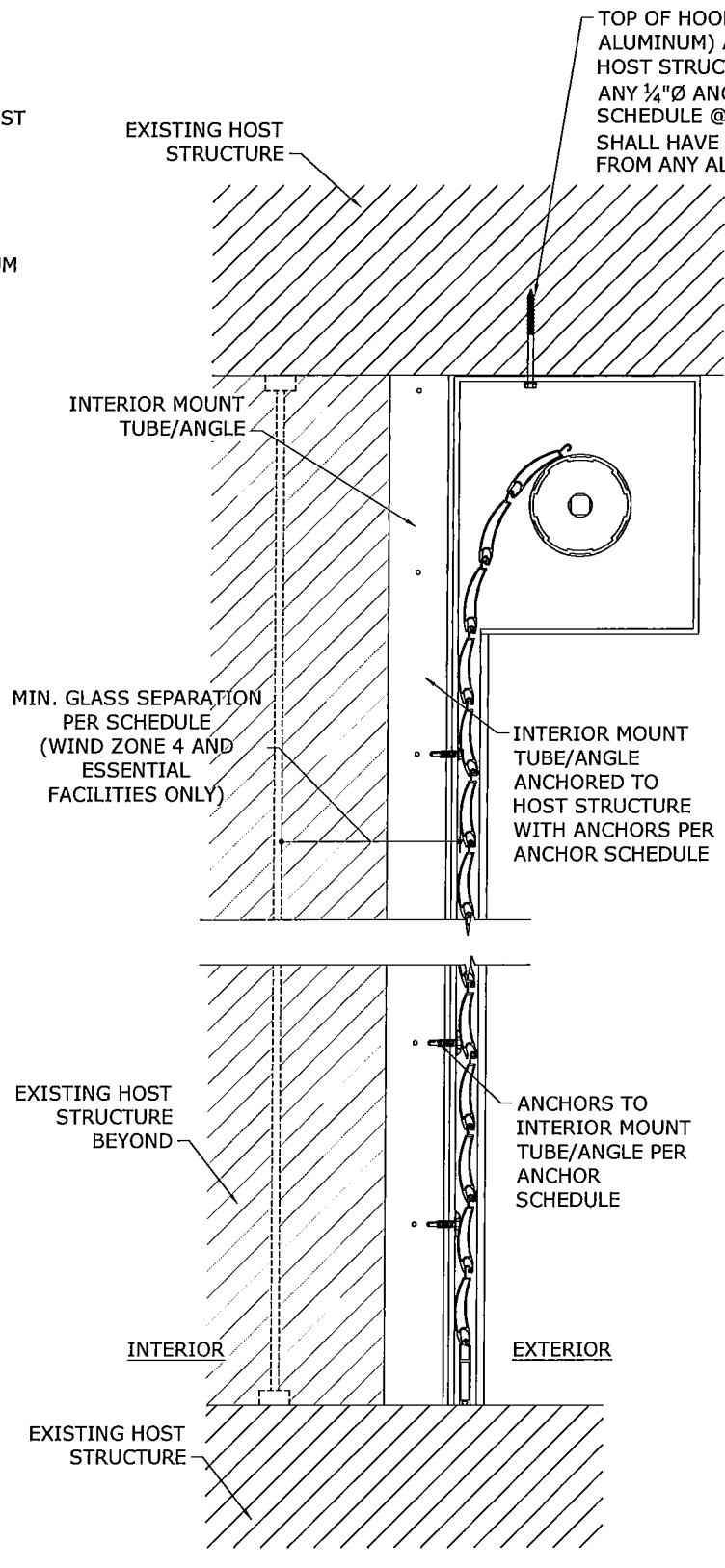
2 OF 12

F:\01 Project Files\Alutech United, Inc (AU)\2011\11-AUI-0001 Barracuda III (FSA) Initial Sub11-AUI-0001_02a Barracuda Roll-Up Shutter (FSA).dwg

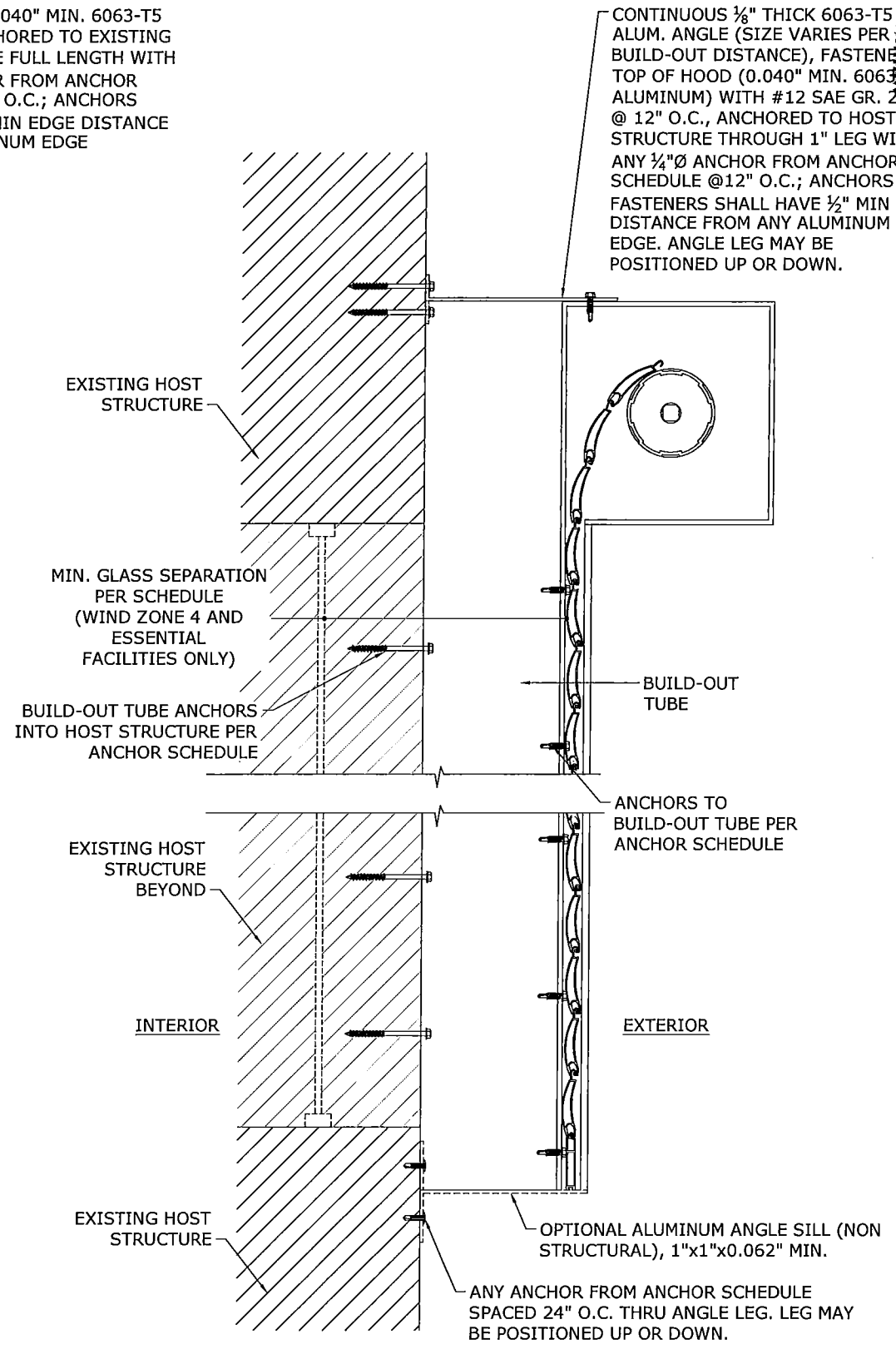
12/01/2011 - 9:50am keith



1 TYPICAL WALL MOUNT
3 N.T.S. VERT SECTION



2 TYPICAL INTERIOR MOUNT
3 N.T.S. VERT SECTION



3 BUILD-OUT WALL MOUNT
3 N.T.S. VERT SECTION

NOTE: SHUTTERS WITH DOUBLE WALL SLATS SHOWN HERE. INSTALLATION WITH SINGLE WALL SLATS SIMILAR.

FRANK L. BENNARDO
 LICENSE
 12/03/2011
 PROFESSIONAL ENGINEER
 STATE OF FLORIDA
 ENGINEERING EXPRESS
 160 SW 12th AVENUE, #105
 DEERFIELD BEACH, FL 33442
 Ph: (954) 354-0660 FAX: (954) 354-0643
 WWW.ENGEXP.COM
 CERT OF AUTH #9885
 A FRANK L. BENNARDO, P.E., INC., INNOVATION

ALUTECH UNITED, INC.
 117 DIXON STREET
 SELBYVILLE, DE 19975
 PHONE: 302 - 436 - 6005 FAX: 302 - 436 - 5100
 BARRACUDA ROLL-UP SHUTTER
 FLORIDA PRODUCT APPROVAL
 NON-HVHZ

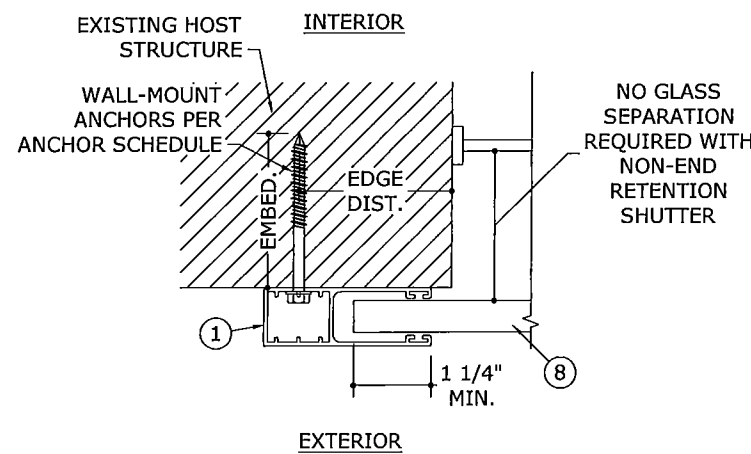
DRWN	CHKD	DATE
KL	FLB	02/07/11
KL	FLB	11/23/11

REMARKS
 INIT ISSUE
 2010 FBC

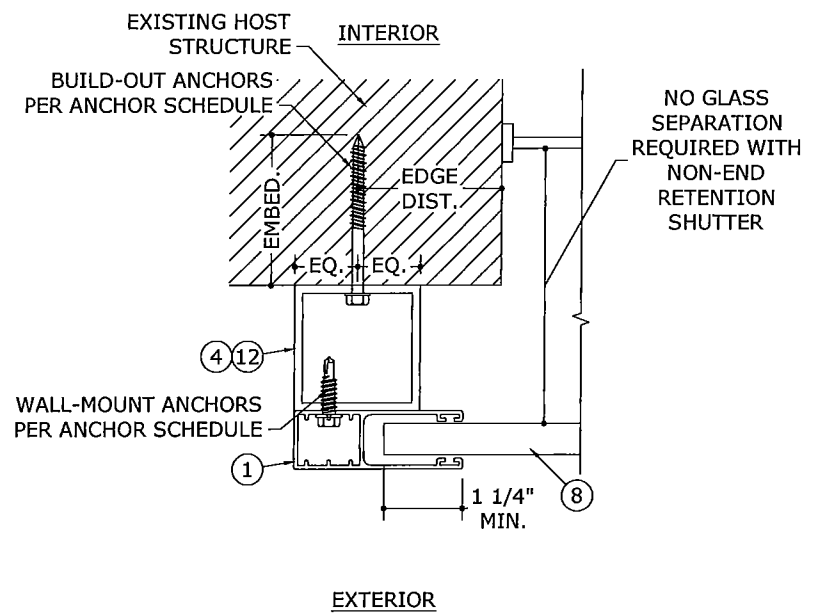
THIS DOCUMENT IS THE PROPERTY OF FRANK L. BENNARDO, P.E. AND SHALL NOT BE REPRODUCED IN WHOLE OR PART WITHOUT WRITTEN CONSENT OF FRANK L. BENNARDO, P.E. ALTERATIONS, ADDITIONS, REWORKING, OR OTHER MARKINGS TO THIS DOCUMENT ARE NOT PERMITTED AND WILL INVALIDATE OUR CERTIFICATION.

COPYRIGHT FRANK L. BENNARDO P.E.
11-AUI-0001
 SCALE: 02
 PAGE DESCRIPTION:
 OF 12
3

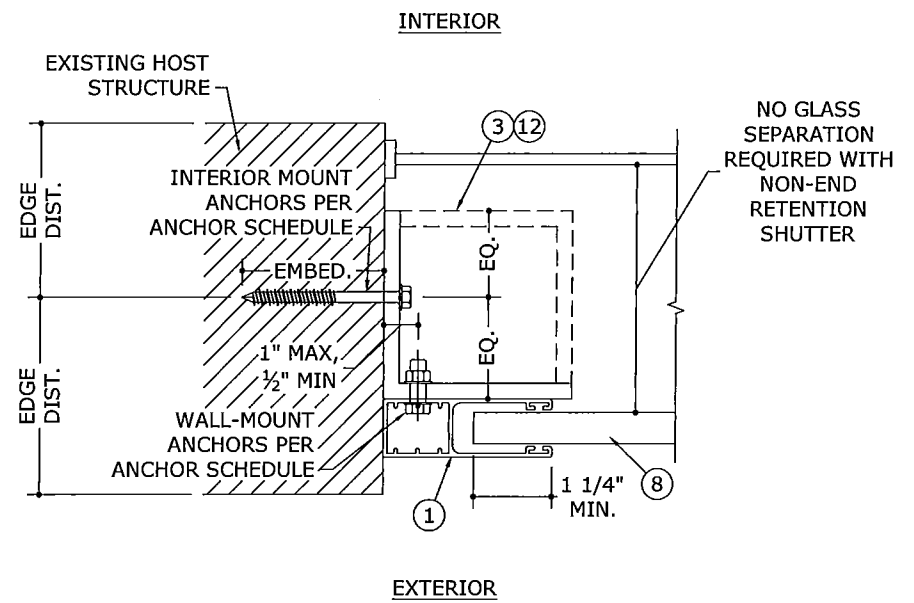
F:\01 Project Files\Alutech United, Inc (AU)\2011\11-AUI-0001 Barracuda III (FSA) Initial Sub11-AUI-0001_02a Barracuda Roll-Up Shutter (FSA).dwg



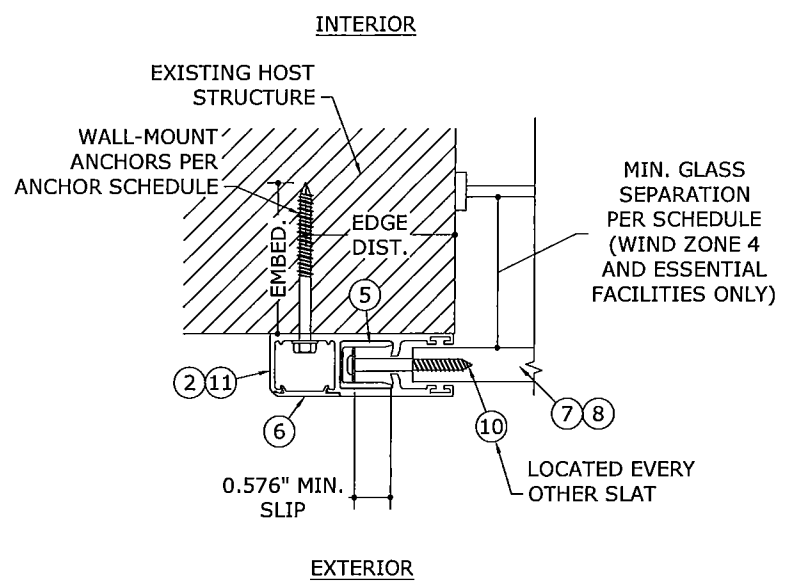
1
4 N.T.S. HORIZ SECTION
NON-END RETENTION TYPICAL WALL MOUNT



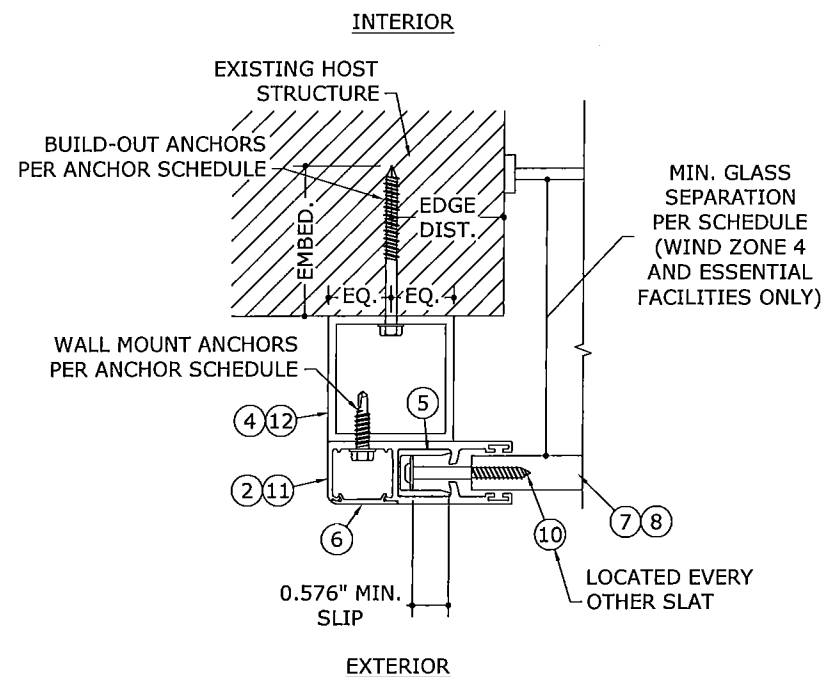
3
4 N.T.S. HORIZ SECTION
NON-END RETENTION TYP. BUILD-OUT MOUNT



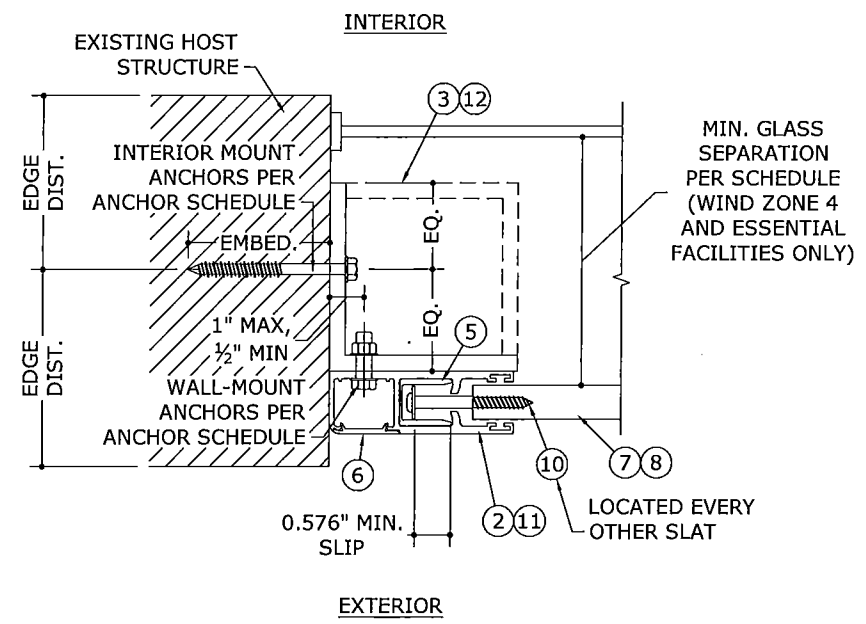
5
4 N.T.S. HORIZ SECTION
NON-END RETENTION TYP. INTERIOR MOUNT



2
4 N.T.S. HORIZ SECTION
END RETENTION TYPICAL WALL MOUNT



4
4 N.T.S. HORIZ SECTION
END RETENTION TYP. BUILD-OUT MOUNT



6
4 N.T.S. HORIZ SECTION
END RETENTION TYP. INTERIOR MOUNT

FRANK L. BENNARDO
P.E.
12011111-AUI-0001
12/07/2011

PROFESSIONAL ENGINEER
STATE OF FLORIDA

EXPRESS ENGINEERING

160 SW 12th AVENUE, #1109
DEERFIELD BEACH, FL 33442
Ph: (954) 354-0660 Fax: (954) 354-0643
WWW.ENGEXP.COM

CERT OF AUTH #9885
A FRANK L. BENNARDO, P.E., INC. INNOVATION

ALUTECH UNITED, INC.
117 DIXON STREET
SELBYVILLE, DE 19975
PHONE: 302 - 436 - 6005 FAX: 302 - 436 - 5100

BARRACUDA ROLL-UP SHUTTER
FLORIDA PRODUCT APPROVAL
NON-HVHZ

DRWN	CHKD	DATE
KL	FLB	02/07/11
KL	FLB	11/23/11

REMARKS
INIT ISSUE
2010 FBC

THIS DOCUMENT IS THE PROPERTY OF FRANK L. BENNARDO, P.E. AND SHALL NOT BE REPRODUCED IN WHOLE OR PART WITHOUT WRITTEN CONSENT OF FRANK L. BENNARDO, P.E. ALTERATIONS, ADDITIONS, REWORKING, OR OTHER MARKINGS TO THIS DOCUMENT ARE NOT PERMITTED AND INVALIDATE OUR CERTIFICATION.

COPYRIGHT FRANK L. BENNARDO P.E.

11-AUI-0001

SCALE: 1/2"

PAGE DESCRIPTION:

**ANCHOR SCHEDULE:
NON-END RETENTION WALL MOUNT**

ANCHOR	SUBSTRATE	MINIMUM EMBEDMENT	MINIMUM EDGE DISTANCE	MAXIMUM SPACING (O.C.)
1/4" ELCO ULTRACON	2846 PSI MIN. CONCRETE	1.75"	2.5"	12.0"
	GROUT-FILLED CONCRETE BLOCK	2.25"	2.5"	12.0"
	HOLLOW CONCRETE BLOCK	1.25"	2.5"	12.0"
1/4" ITW SS TAPCON	3192 PSI MIN. CONCRETE	1.75"	2.5"	12.0"
	HOLLOW CONCRETE BLOCK	1.25"	2.5"	12.0"
1/4" LAG SCREW	G=0.42 MIN. WOOD	1.5"	0.75"	12.0"
#14 WOOD SCREW	G=0.42 MIN. WOOD	1.5"	0.75"	12.0"
#14 316 SS SMS (OR 1/4-20 316 SS THRU-BOLT) W/ 5/8" WASHER	1/8" THICK MIN. 6063-T5 ALUMINUM OR A36 STEEL	FULL THREAD PENETRATION	0.5"	12.0"


**ANCHOR SCHEDULE:
NON-END RETENTION BUILD-OUT MOUNT**

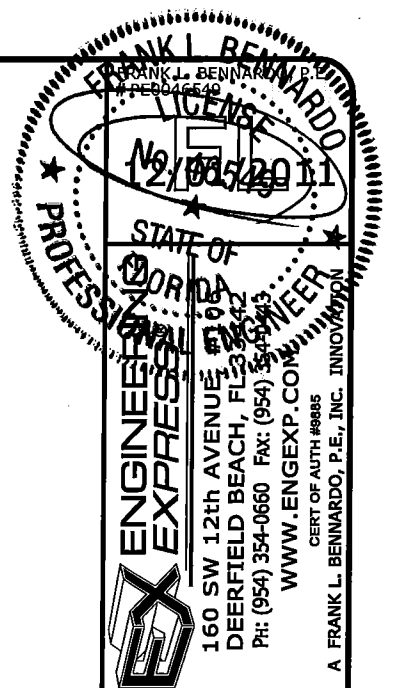
ANCHOR	SUBSTRATE	MINIMUM EMBEDMENT	MINIMUM EDGE DISTANCE	MAXIMUM SPACING (O.C.)
1/4" ELCO ULTRACON	2846 PSI MIN. CONCRETE	1.75"	2.5"	12.0"
	GROUT-FILLED CONCRETE BLOCK	2.25"	2.5"	12.0"
	HOLLOW CONCRETE BLOCK	1.25"	2.5"	8.3"
1/4" ITW SS TAPCON	3192 PSI MIN. CONCRETE	1.75"	2.5"	12.0"
	HOLLOW CONCRETE BLOCK	1.25"	2.5"	7.6"
1/4" LAG SCREW	G=0.42 MIN. WOOD	1.5"	0.75"	12.0"
#14 WOOD SCREW	G=0.42 MIN. WOOD	1.5"	0.75"	12.0"
#14 316 SS SMS (OR 1/4-20 316 SS THRU-BOLT) W/ 5/8" WASHER	1/8" THICK MIN. 6063-T5 ALUMINUM OR A36 STEEL	FULL THREAD PENETRATION	0.5"	10.2"

**ANCHOR SCHEDULE:
NON-END RETENTION INTERIOR MOUNT**

ANCHOR	SUBSTRATE	MINIMUM EMBEDMENT	MINIMUM EDGE DISTANCE	MAXIMUM SPACING (O.C.)
1/4" ELCO ULTRACON	2846 PSI MIN. CONCRETE	1.75"	2.5"	12.0"
	GROUT-FILLED CONCRETE BLOCK	2.25"	2.5"	12.0"
	HOLLOW CONCRETE BLOCK	1.25"	2.5"	12.0"
1/4" ITW SS TAPCON	3192 PSI MIN. CONCRETE	1.75"	2.5"	12.0"
	HOLLOW CONCRETE BLOCK	1.25"	2.5"	10.3"
1/4" LAG SCREW	G=0.42 MIN. WOOD	1.5"	0.75"	11.5"
#14 WOOD SCREW	G=0.42 MIN. WOOD	1.5"	0.75"	10.2"
#14 316 SS SMS (OR 1/4-20 316 SS THRU-BOLT) W/ 5/8" WASHER	1/8" THICK MIN. 6063-T5 ALUMINUM OR A36 STEEL	FULL THREAD PENETRATION	0.5"	12.0"

ANCHOR NOTES:

1. ANCHORS SHALL BE INSTALLED IN ACCORDANCE WITH MANUFACTURERS' RECOMMENDATIONS.
2. WHERE ANCHORS FASTEN TO NARROW FACE OF STUD FRAMING, ANCHOR SHALL BE LOCATED IN CENTER OF NOMINAL 2x (MIN) WOOD STUD (i.e. 3/4" EDGE DISTANCE IS ACCEPTABLE FOR ANCHORS TO WOOD FRAMING).
3. MINIMUM EMBEDMENT SHALL BE AS NOTED IN ANCHOR SCHEDULE. MINIMUM EMBEDMENT AND EDGE DISTANCE EXCLUDES STUCCO, FOAM, BRICK, AND OTHER WALL FINISHES.
4. ANCHOR SCHEDULE APPLIES TO ALL PRODUCTS CERTIFIED HEREIN, BUT ONLY PROVIDES MAXIMUM ALLOWABLE ANCHOR SPACING. MAXIMUM ALLOWABLE SPANS AND PRESSURES INDICATED IN SPAN SCHEDULE SHALL APPLY.
5. WHERE EXISTING STRUCTURE IS WOOD FRAMING, EXISTING CONDITIONS MAY VARY. FIELD VERIFY THAT FASTENERS ARE INTO ADEQUATE WOOD FRAMING MEMBERS, NOT INTO PLYWOOD.
6. SHEET METAL SCREWS SHALL BE INSTALLED WITH FULL ENGAGEMENT OF THREADS INTO METAL HOST STRUCTURE.
7.  DESIGNATES ANCHOR CONDITIONS WHICH ARE NOT ACCEPTABLE FOR USE.



ALUTECH UNITED, INC.

117 DIXON STREET
SELBYVILLE, DE 19975
PHONE: 302 - 436 - 6005 FAX: 302 - 436 - 5100
BARRACUDA ROLL-UP SHUTTER
FLORIDA PRODUCT APPROVAL
NON-HVHZ

REMARKS	DRWN	CHKD	DATE
INIT ISSUE	KL	FLB	02/07/11
2010 PBC	KL	FLB	11/23/11

THIS DOCUMENT IS THE PROPERTY OF FRANK L. BENNARDO, P.E. AND SHALL NOT BE REPRODUCED, COPIED, OR TRANSMITTED IN ANY FORM OR BY ANY MEANS, WITHOUT THE WRITTEN PERMISSION OF FRANK L. BENNARDO, P.E. * ALTERATIONS, ADDITIONS, HIGH LIGHTING, OR OTHER MARKINGS TO THIS DOCUMENT ARE NOT PERMITTED AND INVALIDATE OUR CERTIFICATION.

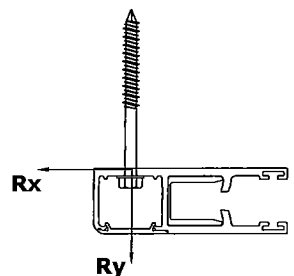
COPYRIGHT FRANK L. BENNARDO P.E.

11-AUI-0001

SCALE: 02

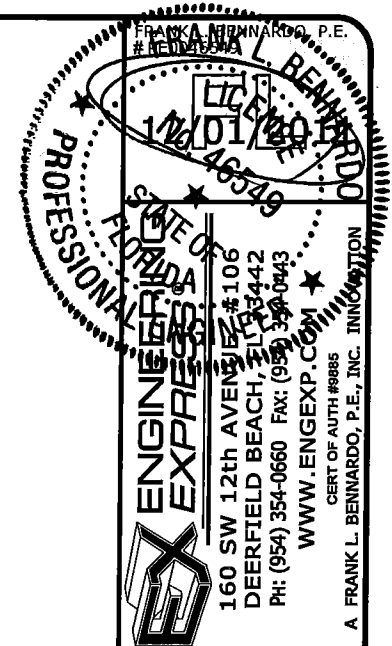
PAGE DESCRIPTION:

ANCHOR SCHEDULE: WALL MOUNT: END RETENTION SHUTTER WITH DOUBLE WALL SLATS



				MAXIMUM SPACING (O.C.)																			
				5/16" ITW TAPCON				1/4" ALL-POINTS SOLID-SET				1/4" LAG SCREW		5/16" LAG SCREW		#14 WOOD SCREW		#14 316 SS SMS W/ FULL THREAD PENETRATION (OR 1/4-20 316 SS THRU-BOLT) W/ 5/8" WASHER TO 0.125" MIN. EDGE DISTANCE		#14 316 SS SMS W/ FULL THREAD PENETRATION (OR 1/4-20 316 SS THRU-BOLT) W/ 5/8" WASHER TO 0.25" MIN. EDGE DISTANCE		3/8" POWERS WEDGE BOLT TO 3000 PSI MIN. CONCRETE; 4.5" MIN. EDGE DISTANCE	
SLAT SPAN	DESIGN PRESSURE	Rx	Ry	1/4" ELCO ULTRACON TO 2846 PSI MIN. CONCRETE; 1.75" MIN. EMBEDMENT; 2.5" MIN. EDGE DISTANCE	1/4" SS ITW TAPCON TO 3192 PSI MIN. CONCRETE; 1.75" MIN. EMBEDMENT; 2.5" MIN. EDGE DISTANCE	TO 2899 PSI MIN. CONCRETE; 2.25" MIN. EMBEDMENT; 3.125" MIN. EDGE DISTANCE	TO GROUT-FILLED CONCRETE BLOCK; 2.25" MIN. EMBEDMENT; 4" MIN. EDGE DISTANCE	TO HOLLOW CONCRETE BLOCK; 1.75" MIN. EMBEDMENT; 4" MIN. EDGE DISTANCE	1/4" POWERS POWER-BOLT TO 3000 PSI MIN. CONCRETE; 2.5" MIN. EMBEDMENT; 3" MIN. EDGE DISTANCE	TO 3000 PSI MIN. CONCRETE; 0.875" MIN. EMBEDMENT; 3" MIN. EDGE DISTANCE	TO HOLLOW BLOCK; 0.875" MIN. EMBEDMENT; 3" MIN. EDGE DISTANCE	1/4" LAG SCREW TO G=0.55 MIN WOOD; 1.5" MIN. EMBEDMENT; 0.75" MIN. EDGE DISTANCE	5/16" LAG SCREW TO G=0.42 MIN WOOD; 2" MIN. EMBEDMENT; 0.75" MIN. EDGE DISTANCE	#14 WOOD SCREW TO G=0.55 MIN WOOD; 1.5" MIN. EMBEDMENT; 0.75" MIN. EDGE DISTANCE	#14 316 SS SMS W/ FULL THREAD PENETRATION (OR 1/4-20 316 SS THRU-BOLT) W/ 5/8" WASHER TO 0.125" MIN. EDGE DISTANCE	#14 316 SS SMS W/ FULL THREAD PENETRATION (OR 1/4-20 316 SS THRU-BOLT) W/ 5/8" WASHER TO 0.25" MIN. EDGE DISTANCE	3/8" POWERS WEDGE BOLT TO 3000 PSI MIN. CONCRETE; 4.5" MIN. EDGE DISTANCE						
48"	+/- 40 PSF	0.0 LB/FT	80.0 LB/FT	4.0"	4.0"	4.0"	4.0"	4.0"	4.0"	4.0"	4.0"	4.0"	4.0"	4.0"	4.0"	4.0"	4.0"	4.0"					
	+/- 50 PSF	0.0 LB/FT	100.0 LB/FT	4.0"	4.0"	4.0"	4.0"	4.0"	4.0"	4.0"	4.0"	4.0"	4.0"	4.0"	4.0"	4.0"	4.0"	4.0"					
	+/- 60 PSF	0.0 LB/FT	120.0 LB/FT	4.0"	4.0"	4.0"	4.0"	4.0"	4.0"	4.0"	4.0"	4.0"	4.0"	4.0"	4.0"	4.0"	4.0"	4.0"					
	+/- 70 PSF	40.3 LB/FT	156.4 LB/FT	4.0"	4.0"	4.0"	4.0"	4.0"	4.0"	4.0"	4.0"	4.0"	4.0"	4.0"	4.0"	4.0"	4.0"	4.0"					
	+/- 80 PSF	89.5 LB/FT	198.9 LB/FT	4.0"	4.0"	4.0"	4.0"	4.0"	4.0"	4.0"	4.0"	4.0"	4.0"	4.0"	4.0"	4.0"	4.0"	4.0"					
	+/- 90 PSF	137.6 LB/FT	243.7 LB/FT	4.0"	4.0"	4.0"	4.0"	4.0"	4.0"	4.0"	4.0"	4.0"	4.0"	4.0"	4.0"	4.0"	4.0"	4.0"					
60"	+/- 100 PSF	184.6 LB/FT	290.6 LB/FT	4.0"	4.0"	4.0"	4.0"	4.0"	4.0"	4.0"	4.0"	4.0"	4.0"	4.0"	4.0"	4.0"	4.0"	4.0"					
	+/- 113 PSF	245.3 LB/FT	356.2 LB/FT	4.0"	4.0"	4.0"	4.0"	4.0"	4.0"	4.0"	4.0"	4.0"	4.0"	4.0"	4.0"	4.0"	4.0"	4.0"					
	+/- 40 PSF	81.4 LB/FT	130.0 LB/FT	4.0"	4.0"	4.0"	4.0"	4.0"	4.0"	4.0"	4.0"	4.0"	4.0"	4.0"	4.0"	4.0"	4.0"	4.0"					
	+/- 50 PSF	150.7 LB/FT	183.9 LB/FT	4.0"	4.0"	4.0"	4.0"	4.0"	4.0"	4.0"	4.0"	4.0"	4.0"	4.0"	4.0"	4.0"	4.0"	4.0"					
	+/- 60 PSF	219.0 LB/FT	240.4 LB/FT	4.0"	4.0"	4.0"	4.0"	4.0"	4.0"	4.0"	4.0"	4.0"	4.0"	4.0"	4.0"	4.0"	4.0"	4.0"					
	+/- 70 PSF	286.0 LB/FT	299.5 LB/FT	4.0"	4.0"	4.0"	4.0"	4.0"	4.0"	4.0"	4.0"	4.0"	4.0"	4.0"	4.0"	4.0"	4.0"	4.0"					
72"	+/- 80 PSF	351.9 LB/FT	361.0 LB/FT	4.0"	4.0"	4.0"	4.0"	4.0"	4.0"	4.0"	4.0"	4.0"	4.0"	4.0"	4.0"	4.0"	4.0"	4.0"					
	+/- 84 PSF	380.5 LB/FT	388.8 LB/FT	4.0"	4.0"	4.0"	4.0"	4.0"	4.0"	4.0"	4.0"	4.0"	3.8"	4.0"	4.0"	4.0"	4.0"	4.0"					
	+/- 40 PSF	230.3 LB/FT	204.2 LB/FT	4.0"	4.0"	4.0"	4.0"	4.0"	4.0"	4.0"	4.0"	4.0"	4.0"	4.0"	4.0"	4.0"	4.0"	4.0"					
	+/- 50 PSF	320.3 LB/FT	273.9 LB/FT	4.0"	4.0"	4.0"	4.0"	4.0"	4.0"	4.0"	4.0"	4.0"	4.0"	4.0"	4.0"	4.0"	4.0"	4.0"					
	+/- 60 PSF	408.9 LB/FT	346.9 LB/FT	4.0"	4.0"	4.0"	4.0"	4.0"	4.0"	4.0"	4.0"	4.0"	3.6"	4.0"	4.0"	4.0"	4.0"	4.0"					
	+/- 70 PSF	496.1 LB/FT	423.1 LB/FT	4.0"	4.0"	4.0"	4.0"	3.9"	4.0"	4.0"	4.0"	3.4"	3.0"	3.4"	4.0"	4.0"	4.0"	4.0"					
84"	+/- 72 PSF	516.8 LB/FT	441.9 LB/FT	4.0"	4.0"	4.0"	4.0"	4.0"	4.0"	4.0"	4.0"	3.2"	2.9"	3.3"	4.0"	4.0"	4.0"	4.0"					
	+/- 40 PSF	362.9 LB/FT	269.4 LB/FT	4.0"	4.0"	4.0"	4.0"	4.0"	4.0"	4.0"	4.0"	4.0"	4.0"	4.0"	4.0"	4.0"	4.0"	4.0"					
	+/- 50 PSF	475.8 LB/FT	355.0 LB/FT	4.0"	4.0"	4.0"	4.0"	4.0"	4.0"	4.0"	4.0"	3.8"	3.2"	3.7"	4.0"	4.0"	4.0"	4.0"					
	+/- 60 PSF	587.0 LB/FT	444.8 LB/FT	4.0"	4.0"	4.0"	4.0"	4.0"	4.0"	4.0"	3.7"	2.9"	2.6"	3.0"	3.8"	4.0"	4.0"	4.0"					
	+/- 66 PSF	652.7 LB/FT	500.7 LB/FT	4.0"	4.0"	4.0"	4.0"	4.0"	4.0"	4.0"	3.3"	2.6"	2.3"	2.7"	3.4"	4.0"	4.0"	4.0"					
	+/- 40 PSF	490.1 LB/FT	330.6 LB/FT	4.0"	4.0"	4.0"	4.0"	4.0"	4.0"	4.0"	4.0"	3.6"	3.1"	3.7"	4.0"	4.0"	4.0"	4.0"					
96"	+/- 50 PSF	627.7 LB/FT	432.7 LB/FT	4.0"	4.0"	4.0"	4.0"	4.0"	4.0"	4.0"	4.0"	3.6"	2.8"	2.9"	3.6"	4.0"	4.0"	4.0"					
	+/- 60 PSF	763.0 LB/FT	540.1 LB/FT	4.0"	4.0"	4.0"	4.0"	4.0"	4.0"	4.0"	4.0"	3.6"	2.8"	2.4"	2.9"	3.6"	4.0"	4.0"					
	+/- 62 PSF	788.5 LB/FT	561.1 LB/FT	4.0"	4.0"	4.0"	4.0"	4.0"	4.0"	4.0"	4.0"	2.2"	2.0"	2.3"	3.0"	4.0"	4.0"	4.0"					
	+/- 40 PSF	616.6 LB/FT	390.2 LB/FT	4.0"	4.0"	4.0"	4.0"	4.0"	4.0"	4.0"	3.8"	2.9"	2.5"	3.0"	4.0"	4.0"	4.0"	4.0"					
	+/- 50 PSF	780.4 LB/FT	509.6 LB/FT	4.0"	4.0"	4.0"	4.0"	4.0"	4.0"	4.0"	4.0"	2.2"	2.0"	2.3"	3.2"	4.0"	4.0"	4.0"					
	+/- 59 PSF	925.4 LB/FT	622.8 LB/FT	4.0"	3.9"	4.0"	4.0"	4.0"	4.0"	4.0"	4.0"	2.6"	2.0"	2.3"	2.6"	3.6"	4.0"	4.0"					
108"	+/- 40 PSF	877.4 LB/FT	504.5 LB/FT	4.0"	4.0"	4.0"	4.0"	4.0"	4.0"	4.0"	4.0"	2.0"	2.1"	3.1"	4.0"	4.0"	4.0"	4.0"					
	+/- 50 PSF	1098.8 LB/FT	658.5 LB/FT	4.0"	3.4"	4.0"	4.0"	4.0"	4.0"	4.0"	4.0"	3.8"	3.2"	2.4"	3.2"	4.0"	4.0"	4.0"					
	+/- 54 PSF	1182.0 LB/FT	719.5 LB/FT	4.0"	3.1"	4.0"	4.0"	4.0"	4.0"	4.0"	4.0"	3.5"	2.2"	3.0"	4.0"	4.0"	4.0"	4.0"					
	+/- 40 PSF	1013.0 LB/FT	561.8 LB/FT	4.0"	3.8"	4.0"	4.0"	4.0"	4.0"	4.0"	4.0"	4.0"	2.7"	2.7"	3.6"	4.0"	4.0"	4.0"					
	+/- 50 PSF	1265.5 LB/FT	734.0 LB/FT	4.0"	3.0"	4.0"	4.0"	4.0"	4.0"	4.0"	4.0"	3.3"	2.1"	2.8"	4.0"	4.0"	4.0"	4.0"					
	+/- 52 PSF	1305.4 LB/FT	762.6 LB/FT	4.0"	3.9"	4.0"	4.0"	4.0"	4.0"	4.0"	4.0"	3.2"	2.1"	2.7"	4.0"	4.0"	4.0"	4.0"					
144"	+/- 40 PSF	1152.6 LB/FT	620.3 LB/FT	4.0"	3.4"	4.0"	4.0"	4.0"	4.0"	4.0"	4.0"	3.8"	2.5"	3.2"	4.0"	4.0"	4.0"	4.0"					
	+/- 50 PSF	1437.1 LB/FT	811.6 LB/FT	4.0"	4.0"	4.0"	4.0"	4.0"	4.0"	4.0"	4.0"	3.0"	2.5"	2.5"	2.5"	4.0"	4.0"	4.0"					
	+/- 40 PSF	1296.2 LB/FT	680.1 LB/FT	4.0"	3.0"	4.0"	4.0"	4.0"	4.0"	4.0"	4.0"	3.4"	2.2"	2.9"	4.0"	4.0"	4.0"	4.0"					
	+/- 48 PSF	1557.2 LB/FT	852.3 LB/FT	4.0"	4.0"	4.0"	4.0"	4.0"	4.0"	4.0"	4.0"	4.0"	4.0"	4.0"	4.0"	4.0"	4.0"	4.0"					
	+/- 40 PSF	1443.9 LB/FT	741.4 LB/FT	4.0"	4.0"	4.0"	4.0"	4.0"	4.0"	4.0"	4.0"	3.1"	2.0"	2.7"	4.0"	4.0"	4.0"	4.0"					
	+/- 47 PSF	1680.5 LB/FT	895.3 LB/FT	4.0"	4.0"	3.9"	4.0"	4.0"	4.0"	4.0"	4.0"	4.0"	4.0"	4.0"	4.0"	4.0"	4.0"	4.0"					

ANCHOR NOTES: SEE SHEET 5 FOR ANCHOR NOTES.



ALUTECH UNITED, INC.
117 DIXON STREET
SELBYVILLE, DE 19975

PHONE: 302 - 436 - 6005 FAX: 302 - 436 - 5100
BARRACUDA ROLL-UP SHUTTER
FLORIDA PRODUCT APPROVAL
NON-HVHZ

DRWN	CHKD	DATE
KL	FLB	02/07/11
KL	FLB	11/23/11

COPYRIGHT FRANK L. BENNARDO P.E.

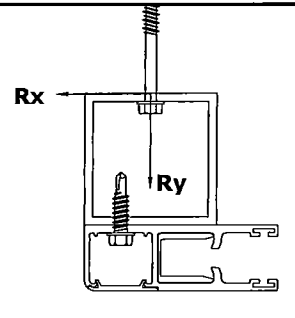
11-AUI-0001

SCALE: 1/2"

PAGE DESCRIPTION:

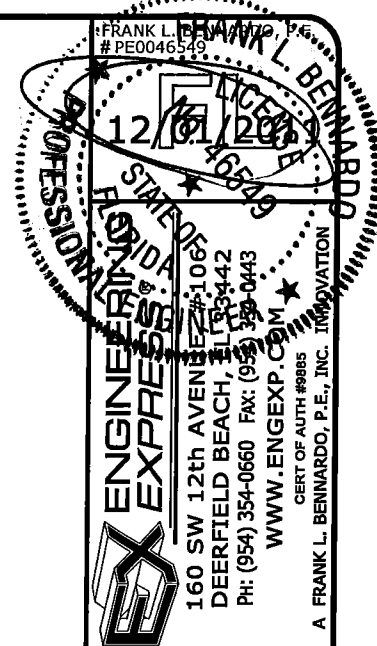
F:\01 Project Files\Alutech United, Inc (AUI)\2011\11-AUI-0001 Barracuda III (FSA) Initial Sub\11-AUI-0001_02a Barracuda Roll-up Shutter (FSA).dwg keith 12/01/2011 - 9:50am

ANCHOR SCHEDULE: BUILD-OUT MOUNT: END RETENTION SHUTTER WITH DOUBLE WALL SLATS



SLAT SPAN	DESIGN PRESSURE	Rx	Ry	MAXIMUM SPACING (O.C.)														
				1/4" ELCO ULTRACON TO 2846 PSI MIN. CONCRETE; 1.75" MIN. EMBEDMENT; 2.5" MIN. EDGE DISTANCE	1/4" SS ITW TAPCON TO 3192 PSI MIN. CONCRETE; 1.75" MIN. EMBEDMENT; 2.5" MIN. EDGE DISTANCE	5/16" ITW TAPCON			1/4" POWERS POWER-BOLT TO 3000 PSI MIN. CONCRETE; 2.5" MIN. EMBEDMENT; 3" MIN. EDGE DISTANCE		1/4" ALL-POINTS SOLID-SET		1/4" LAG SCREW TO G=0.55 MIN WOOD; 1.5" MIN. EMBEDMENT; 0.75" MIN. EDGE DISTANCE	5/16" LAG SCREW TO G=0.42 MIN WOOD; 2" MIN. EMBEDMENT; 0.75" MIN. EDGE DISTANCE	#14 WOOD SCREW TO G=0.55 MIN WOOD; 1.5" MIN. EMBEDMENT; 0.75" MIN. EDGE DISTANCE	#14 316 SS SMS W/ FULL THREAD PENETRATION (OR 1/4-20 316 SS THRU-BOLT) W/ 5/8" WASHER TO 0.125" MIN. 6063-T5 ALUM; 0.5" MIN. EDGE DISTANCE	#14 316 SS SMS W/ FULL THREAD PENETRATION (OR 1/4-20 316 SS THRU-BOLT) W/ 5/8" WASHER TO 0.25" MIN. 6063-T5 ALUM; 0.5" MIN. EDGE DISTANCE	3/8" POWERS WEDGE BOLT TO 3000 PSI MIN. CONCRETE; 3.5" MIN. EMBEDMENT; 4.5" MIN. EDGE DISTANCE
48"	+/- 40 PSF	0.0 LB/FT	133.4 LB/FT	4.0"	4.0"	4.0"	4.0"	4.0"	4.0"	4.0"	4.0"	4.0"	4.0"	4.0"	4.0"	4.0"	4.0"	4.0"
	+/- 50 PSF	0.0 LB/FT	166.7 LB/FT	4.0"	4.0"	4.0"	4.0"	4.0"	4.0"	4.0"	4.0"	4.0"	4.0"	4.0"	4.0"	4.0"	4.0"	4.0"
	+/- 60 PSF	0.0 LB/FT	200.0 LB/FT	4.0"	4.0"	4.0"	4.0"	4.0"	4.0"	4.0"	4.0"	4.0"	4.0"	4.0"	4.0"	4.0"	4.0"	4.0"
	+/- 70 PSF	40.3 LB/FT	260.7 LB/FT	4.0"	4.0"	4.0"	4.0"	4.0"	4.0"	4.0"	4.0"	4.0"	4.0"	4.0"	4.0"	4.0"	4.0"	4.0"
	+/- 80 PSF	89.5 LB/FT	331.6 LB/FT	4.0"	4.0"	4.0"	4.0"	4.0"	4.0"	4.0"	4.0"	4.0"	4.0"	4.0"	4.0"	4.0"	4.0"	4.0"
	+/- 90 PSF	137.6 LB/FT	406.2 LB/FT	4.0"	4.0"	4.0"	4.0"	4.0"	4.0"	4.0"	4.0"	4.0"	4.0"	4.0"	4.0"	4.0"	4.0"	4.0"
60"	+/- 100 PSF	184.6 LB/FT	484.4 LB/FT	4.0"	4.0"	4.0"	4.0"	4.0"	4.0"	4.0"	4.0"	4.0"	4.0"	4.0"	4.0"	4.0"	4.0"	4.0"
	+/- 113 PSF	245.3 LB/FT	593.8 LB/FT	4.0"	4.0"	4.0"	4.0"	4.0"	4.0"	4.0"	4.0"	4.0"	4.0"	4.0"	4.0"	4.0"	4.0"	4.0"
	+/- 40 PSF	81.4 LB/FT	216.7 LB/FT	4.0"	4.0"	4.0"	4.0"	4.0"	4.0"	4.0"	4.0"	4.0"	4.0"	4.0"	4.0"	4.0"	4.0"	4.0"
	+/- 50 PSF	150.7 LB/FT	306.6 LB/FT	4.0"	4.0"	4.0"	4.0"	4.0"	4.0"	4.0"	4.0"	4.0"	4.0"	4.0"	4.0"	4.0"	4.0"	4.0"
	+/- 60 PSF	219.0 LB/FT	400.8 LB/FT	4.0"	4.0"	4.0"	4.0"	4.0"	4.0"	4.0"	4.0"	4.0"	4.0"	4.0"	4.0"	4.0"	4.0"	4.0"
	+/- 70 PSF	286.0 LB/FT	499.2 LB/FT	4.0"	4.0"	4.0"	4.0"	4.0"	4.0"	4.0"	4.0"	4.0"	4.0"	4.0"	4.0"	4.0"	4.0"	4.0"
72"	+/- 80 PSF	351.9 LB/FT	601.7 LB/FT	4.0"	4.0"	4.0"	4.0"	4.0"	4.0"	4.0"	4.0"	4.0"	4.0"	4.0"	4.0"	4.0"	4.0"	4.0"
	+/- 84 PSF	380.5 LB/FT	648.1 LB/FT	4.0"	4.0"	4.0"	4.0"	4.0"	4.0"	4.0"	4.0"	4.0"	4.0"	4.0"	4.0"	4.0"	4.0"	4.0"
	+/- 40 PSF	230.3 LB/FT	340.4 LB/FT	4.0"	4.0"	4.0"	4.0"	4.0"	4.0"	4.0"	4.0"	4.0"	4.0"	4.0"	4.0"	4.0"	4.0"	4.0"
	+/- 50 PSF	320.3 LB/FT	456.6 LB/FT	4.0"	4.0"	4.0"	4.0"	4.0"	4.0"	4.0"	4.0"	4.0"	4.0"	4.0"	4.0"	4.0"	4.0"	4.0"
84"	+/- 60 PSF	408.9 LB/FT	578.4 LB/FT	4.0"	4.0"	4.0"	4.0"	4.0"	4.0"	4.0"	4.0"	4.0"	4.0"	4.0"	4.0"	4.0"	4.0"	4.0"
	+/- 70 PSF	496.1 LB/FT	705.3 LB/FT	4.0"	4.0"	4.0"	4.0"	4.0"	4.0"	4.0"	4.0"	4.0"	4.0"	4.0"	4.0"	4.0"	4.0"	4.0"
	+/- 72 PSF	516.8 LB/FT	736.6 LB/FT	4.0"	4.0"	4.0"	4.0"	4.0"	4.0"	4.0"	4.0"	4.0"	4.0"	4.0"	4.0"	4.0"	4.0"	4.0"
	+/- 40 PSF	362.9 LB/FT	449.2 LB/FT	4.0"	4.0"	4.0"	4.0"	4.0"	4.0"	4.0"	4.0"	4.0"	4.0"	4.0"	4.0"	4.0"	4.0"	4.0"
96"	+/- 50 PSF	475.8 LB/FT	591.9 LB/FT	4.0"	4.0"	4.0"	4.0"	4.0"	4.0"	4.0"	4.0"	4.0"	4.0"	4.0"	4.0"	4.0"	4.0"	4.0"
	+/- 60 PSF	587.0 LB/FT	741.6 LB/FT	4.0"	4.0"	4.0"	4.0"	4.0"	4.0"	4.0"	4.0"	4.0"	4.0"	4.0"	4.0"	4.0"	4.0"	4.0"
	+/- 66 PSF	652.7 LB/FT	834.6 LB/FT	4.0"	4.0"	4.0"	4.0"	4.0"	4.0"	4.0"	4.0"	4.0"	4.0"	4.0"	4.0"	4.0"	4.0"	4.0"
	+/- 40 PSF	490.1 LB/FT	551.1 LB/FT	4.0"	4.0"	4.0"	4.0"	4.0"	4.0"	4.0"	4.0"	4.0"	4.0"	4.0"	4.0"	4.0"	4.0"	4.0"
108"	+/- 50 PSF	627.7 LB/FT	721.2 LB/FT	4.0"	4.0"	4.0"	4.0"	4.0"	4.0"	4.0"	4.0"	4.0"	4.0"	4.0"	4.0"	4.0"	4.0"	4.0"
	+/- 60 PSF	763.0 LB/FT	900.3 LB/FT	4.0"	4.0"	4.0"	4.0"	4.0"	4.0"	4.0"	4.0"	4.0"	4.0"	4.0"	4.0"	4.0"	4.0"	4.0"
	+/- 62 PSF	788.5 LB/FT	935.3 LB/FT	4.0"	4.0"	4.0"	4.0"	4.0"	4.0"	4.0"	4.0"	4.0"	4.0"	4.0"	4.0"	4.0"	4.0"	4.0"
132"	+/- 40 PSF	616.6 LB/FT	650.4 LB/FT	4.0"	4.0"	4.0"	4.0"	4.0"	4.0"	4.0"	4.0"	4.0"	4.0"	4.0"	4.0"	4.0"	4.0"	4.0"
	+/- 50 PSF	780.4 LB/FT	849.5 LB/FT	4.0"	4.0"	4.0"	4.0"	4.0"	4.0"	4.0"	4.0"	4.0"	4.0"	4.0"	4.0"	4.0"	4.0"	4.0"
	+/- 59 PSF	925.4 LB/FT	1038.2 LB/FT	4.0"	4.0"	4.0"	4.0"	4.0"	4.0"	4.0"	4.0"	4.0"	4.0"	4.0"	4.0"	4.0"	4.0"	4.0"
144"	+/- 40 PSF	877.4 LB/FT	841.0 LB/FT	4.0"	4.0"	4.0"	4.0"	4.0"	4.0"	4.0"	4.0"	4.0"	4.0"	4.0"	4.0"	4.0"	4.0"	4.0"
	+/- 50 PSF	1098.8 LB/FT	1097.7 LB/FT	4.0"	4.0"	4.0"	4.0"	4.0"	4.0"	4.0"	4.0"	4.0"	4.0"	4.0"	4.0"	4.0"	4.0"	4.0"
	+/- 54 PSF	1182.0 LB/FT	1199.4 LB/FT	4.0"	4.0"	4.0"	4.0"	4.0"	4.0"	4.0"	4.0"	4.0"	4.0"	4.0"	4.0"	4.0"	4.0"	4.0"
156"	+/- 40 PSF	1013.0 LB/FT	936.6 LB/FT	4.0"	4.0"	4.0"	4.0"	4.0"	4.0"	4.0"	4.0"	4.0"	4.0"	4.0"	4.0"	4.0"	4.0"	4.0"
	+/- 50 PSF	1265.5 LB/FT	1223.6 LB/FT	4.0"	4.0"	4.0"	4.0"	4.0"	4.0"	4.0"	4.0"	4.0"	4.0"	4.0"	4.0"	4.0"	4.0"	4.0"
	+/- 52 PSF	1305.4 LB/FT	1271.2 LB/FT	4.0"	4.0"	4.0"	4.0"	4.0"	4.0"	4.0"	4.0"	4.0"	4.0"	4.0"	4.0"	4.0"	4.0"	4.0"
168"	+/- 40 PSF	1152.6 LB/FT	1034.0 LB/FT	4.0"	4.0"	4.0"	4.0"	4.0"	4.0"	4.0"	4.0"	4.0"	4.0"	4.0"	4.0"	4.0"	4.0"	4.0"
	+/- 50 PSF	1437.1 LB/FT	1352.9 LB/FT	4.0"	4.0"	4.0"	4.0"	4.0"	4.0"	4.0"	4.0"	4.0"	4.0"	4.0"	4.0"	4.0"	4.0"	4.0"
180.0"	+/- 40 PSF	1296.2 LB/FT	1133.7 LB/FT	4.0"	4.0"	4.0"	4.0"	4.0"	4.0"	4.0"	4.0"	4.0"	4.0"	4.0"	4.0"	4.0"	4.0"	4.0"
	+/- 48 PSF	1557.2 LB/FT	1420.8 LB/FT	4.0"	4.0"	4.0"	4.0"	4.0"	4.0"	4.0"	4.0"	4.0"	4.0"	4.0"	4.0"	4.0"	4.0"	4.0"
180.0"	+/- 40 PSF	1443.9 LB/FT	1236.0 LB/FT	4.0"	4.0"	4.0"	4.0"	4.0"	4.0"	4.0"	4.0"	4.0"	4.0"	4.0"	4.0"	4.0"	4.0"	4.0"
	+/- 47 PSF	1680.5 LB/FT	1492.4 LB/FT	4.0"	4.0"	4.0"	4.0"	4.0"	4.0"	4.0"	4.0"	4.0"	4.0"	4.0"	4.0"	4.0"	4.0"	4.0"

ANCHOR NOTES: SEE SHEET 5 FOR ANCHOR NOTES.



ALUTECH UNITED, INC.

117 DIXON STREET
SELBYVILLE, DE 19975
PHONE: 302 - 436 - 6005 FAX: 302 - 436 - 5100

BARRACUDA ROLL-UP SHUTTER
FLORIDA PRODUCT APPROVAL
NON-HVHZ

DRWN	CHKD	DATE	KL	FLB	DATE	KL	FLB
		02/07/11			11/23/11		

REMARKS: 2010 FRC

THIS DOCUMENT IS THE PROPERTY OF FRANK L. BENARDO, P.E., INC. IT IS TO BE REPRODUCED IN WHOLE OR IN PART WITHOUT WRITTEN CONSENT OF FRANK L. BENARDO, P.E. ALTERNATIONS, ADDITIONS, DELETIONS, OR OTHER MARKINGS TO THIS DOCUMENT ARE NOT PERMITTED AND INVALIDATE OUR CERTIFICATION.

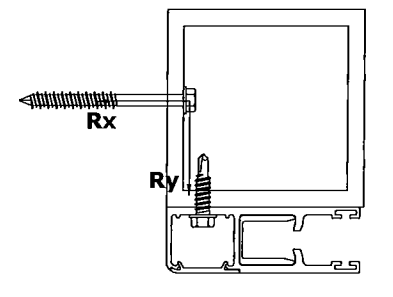
COPYRIGHT FRANK L. BENARDO P.E.

11-AUI-0001

SCALE: 1/2

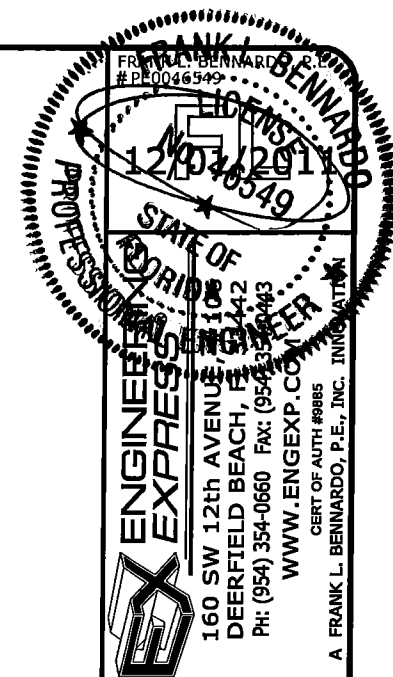
PAGE DESCRIPTION:

ANCHOR SCHEDULE: INTERIOR MOUNT: END RETENTION SHUTTER WITH DOUBLE WALL SLATS



SLAT SPAN	DESIGN PRESSURE	Rx	Ry	MAXIMUM SPACING (O.C.)															
				1/4" ELCO ULTRACON TO 2846 PSI MIN. CONCRETE; 1.75" MIN. EMBEDMENT; 2.5" MIN. EDGE DISTANCE	1/4" SS ITW TAPCON TO 3192 PSI MIN. CONCRETE; 1.75" MIN. EMBEDMENT; 2.5" MIN. EDGE DISTANCE	5/16" ITW TAPCON			1/4" POWERS POWER-BOLT TO 3000 PSI MIN. CONCRETE; 2.5" MIN. EMBEDMENT; 3" MIN. EDGE DISTANCE	1/4" ALL-POINTS SOLID-SET		1/4" LAG SCREW TO G=0.55 MIN WOOD; 1.5" MIN. EMBEDMENT; 0.75" MIN. EDGE DISTANCE	5/16" LAG SCREW TO G=0.42 MIN WOOD; 2" MIN. EMBEDMENT; 0.75" MIN. EDGE DISTANCE	#14 WOOD SCREW TO G=0.55 MIN WOOD; 1.5" MIN. EMBEDMENT; 0.75" MIN. EDGE DISTANCE	#14 316 SS SMS W/ FULL THREAD PENETRATION (OR 1/4-20 316 SS THRU-BOLT) W/ 5/8" WASHER TO 0.125" MIN. 6063-T5 ALUM; 0.5" MIN. EDGE DISTANCE	#14 316 SS SMS W/ FULL THREAD PENETRATION (OR 1/4-20 316 SS THRU-BOLT) W/ 5/8" WASHER TO 0.25" MIN. 6063-T5 ALUM; 0.5" MIN. EDGE DISTANCE	3/8" POWERS WEDGE BOLT TO 3000 PSI MIN. CONCRETE; 3.5" MIN. EMBEDMENT; 4.5" MIN. EDGE DISTANCE		
48"	+/- 40 PSF	53.4 LB/FT	80.0 LB/FT	4.0"	4.0"	4.0"	4.0"	4.0"	4.0"	4.0"	4.0"	4.0"	4.0"	4.0"	4.0"	4.0"	4.0"	4.0"	
	+/- 50 PSF	66.7 LB/FT	100.0 LB/FT	4.0"	4.0"	4.0"	4.0"	4.0"	4.0"	4.0"	4.0"	4.0"	4.0"	4.0"	4.0"	4.0"	4.0"	4.0"	
	+/- 60 PSF	80.0 LB/FT	120.0 LB/FT	4.0"	4.0"	4.0"	4.0"	4.0"	4.0"	4.0"	4.0"	4.0"	4.0"	4.0"	4.0"	4.0"	4.0"	4.0"	
	+/- 70 PSF	144.7 LB/FT	156.4 LB/FT	4.0"	4.0"	4.0"	4.0"	4.0"	4.0"	4.0"	4.0"	4.0"	4.0"	4.0"	4.0"	4.0"	4.0"	4.0"	
	+/- 80 PSF	222.1 LB/FT	198.9 LB/FT	4.0"	4.0"	4.0"	4.0"	4.0"	4.0"	4.0"	4.0"	4.0"	4.0"	4.0"	4.0"	4.0"	4.0"	4.0"	
	+/- 90 PSF	300.1 LB/FT	243.7 LB/FT	4.0"	4.0"	4.0"	4.0"	4.0"	4.0"	4.0"	4.0"	4.0"	4.0"	4.0"	4.0"	4.0"	4.0"	4.0"	
60"	+/- 100 PSF	378.4 LB/FT	290.6 LB/FT	4.0"	4.0"	4.0"	4.0"	4.0"	4.0"	4.0"	4.0"	4.0"	4.0"	4.0"	4.0"	4.0"	4.0"	4.0"	
	+/- 113 PSF	482.9 LB/FT	356.2 LB/FT	4.0"	4.0"	4.0"	4.0"	3.9"	4.0"	4.0"	4.0"	4.0"	3.8"	4.0"	4.0"	4.0"	4.0"	4.0"	
	+/- 40 PSF	168.2 LB/FT	130.0 LB/FT	4.0"	4.0"	4.0"	4.0"	4.0"	4.0"	4.0"	4.0"	4.0"	4.0"	4.0"	4.0"	4.0"	4.0"	4.0"	
	+/- 50 PSF	273.4 LB/FT	183.9 LB/FT	4.0"	4.0"	4.0"	4.0"	4.0"	4.0"	4.0"	4.0"	4.0"	4.0"	4.0"	4.0"	4.0"	4.0"	4.0"	
	+/- 60 PSF	379.3 LB/FT	240.4 LB/FT	4.0"	4.0"	4.0"	4.0"	4.0"	4.0"	4.0"	4.0"	4.0"	4.0"	4.0"	4.0"	4.0"	4.0"	4.0"	
	+/- 70 PSF	485.8 LB/FT	299.5 LB/FT	4.0"	4.0"	4.0"	4.0"	4.0"	4.0"	4.0"	4.0"	4.0"	4.0"	4.0"	4.0"	4.0"	4.0"	4.0"	
72"	+/- 80 PSF	592.7 LB/FT	361.0 LB/FT	4.0"	4.0"	4.0"	4.0"	4.0"	4.0"	4.0"	4.0"	3.9"	3.6"	3.9"	3.4"	4.0"	4.0"	4.0"	
	+/- 84 PSF	639.8 LB/FT	388.8 LB/FT	4.0"	4.0"	4.0"	4.0"	4.0"	4.0"	4.0"	3.7"	3.7"	3.3"	3.6"	3.2"	4.0"	4.0"	4.0"	
	+/- 40 PSF	366.4 LB/FT	204.2 LB/FT	4.0"	4.0"	4.0"	4.0"	4.0"	4.0"	4.0"	4.0"	4.0"	4.0"	4.0"	4.0"	4.0"	4.0"	4.0"	
	+/- 50 PSF	503.0 LB/FT	273.9 LB/FT	4.0"	4.0"	4.0"	4.0"	4.0"	4.0"	4.0"	4.0"	4.0"	4.0"	4.0"	4.0"	4.0"	4.0"	4.0"	
	+/- 60 PSF	640.3 LB/FT	346.9 LB/FT	4.0"	4.0"	4.0"	4.0"	4.0"	4.0"	4.0"	4.0"	3.8"	3.9"	3.6"	3.8"	3.2"	4.0"	4.0"	4.0"
	+/- 70 PSF	778.3 LB/FT	423.1 LB/FT	4.0"	4.0"	4.0"	4.0"	4.0"	4.0"	4.0"	4.0"	3.2"	3.2"	3.0"	3.2"	2.6"	3.9"	4.0"	4.0"
84"	+/- 72 PSF	811.5 LB/FT	441.9 LB/FT	4.0"	4.0"	4.0"	4.0"	4.0"	4.0"	4.0"	3.0"	3.1"	2.8"	3.0"	2.5"	3.8"	4.0"	4.0"	
	+/- 40 PSF	542.7 LB/FT	269.4 LB/FT	4.0"	4.0"	4.0"	4.0"	3.8"	4.0"	4.0"	4.0"	4.0"	4.0"	4.0"	3.8"	4.0"	4.0"	4.0"	
	+/- 50 PSF	712.7 LB/FT	355.0 LB/FT	4.0"	4.0"	4.0"	4.0"	4.0"	4.0"	4.0"	4.0"	3.6"	3.7"	3.4"	3.6"	2.9"	4.0"	4.0"	
	+/- 60 PSF	883.7 LB/FT	444.8 LB/FT	4.0"	4.0"	4.0"	4.0"	4.0"	4.0"	4.0"	4.0"	3.0"	2.7"	2.9"	2.3"	3.5"	4.0"	4.0"	
	+/- 66 PSF	986.7 LB/FT	500.7 LB/FT	4.0"	4.0"	4.0"	4.0"	4.0"	4.0"	4.0"	4.0"	2.7"	2.4"	2.6"	2.1"	3.1"	4.0"	4.0"	
	+/- 40 PSF	710.6 LB/FT	330.6 LB/FT	4.0"	4.0"	4.0"	4.0"	4.0"	4.0"	4.0"	4.0"	3.9"	3.6"	3.8"	3.0"	4.0"	4.0"	4.0"	
96"	+/- 50 PSF	916.3 LB/FT	432.7 LB/FT	4.0"	4.0"	4.0"	4.0"	4.0"	4.0"	4.0"	4.0"	3.0"	2.8"	2.9"	2.3"	3.4"	4.0"	4.0"	
	+/- 60 PSF	1123.2 LB/FT	540.1 LB/FT	4.0"	3.8"	4.0"	4.0"	4.0"	4.0"	4.0"	4.0"	2.4"	2.2"	2.3"	2.8"	2.8"	4.0"	4.0"	
	+/- 62 PSF	1162.7 LB/FT	561.1 LB/FT	4.0"	3.6"	4.0"	4.0"	4.0"	4.0"	4.0"	3.8"	2.3"	2.1"	2.3"	2.7"	4.0"	4.0"	4.0"	
	+/- 40 PSF	876.9 LB/FT	390.2 LB/FT	4.0"	4.0"	4.0"	4.0"	4.0"	4.0"	4.0"	4.0"	3.0"	3.3"	3.0"	3.1"	2.4"	3.6"	4.0"	
	+/- 50 PSF	1120.3 LB/FT	509.6 LB/FT	4.0"	3.8"	4.0"	4.0"	4.0"	4.0"	4.0"	4.0"	2.5"	2.3"	2.4"	2.8"	2.8"	4.0"	4.0"	
	+/- 59 PSF	1340.8 LB/FT	622.8 LB/FT	4.0"	3.2"	4.0"	4.0"	4.0"	4.0"	4.0"	4.0"	3.4"	2.1"	2.0"	2.4"	4.0"	4.0"	4.0"	
108"	+/- 40 PSF	1213.9 LB/FT	504.5 LB/FT	4.0"	3.6"	4.0"	4.0"	4.0"	4.0"	4.0"	4.0"	2.5"	2.3"	2.3"	2.7"	4.0"	4.0"	4.0"	
	+/- 50 PSF	1538.1 LB/FT	658.5 LB/FT	4.0"	4.0"	4.0"	3.9"	4.0"	4.0"	4.0"	4.0"	3.0"	2.5"	2.3"	2.1"	2.1"	4.0"	4.0"	
	+/- 54 PSF	1661.9 LB/FT	719.5 LB/FT	4.0"	4.0"	4.0"	4.0"	4.0"	4.0"	4.0"	4.0"	3.4"	2.2"	2.0"	2.1"	4.0"	4.0"	4.0"	
	+/- 40 PSF	1387.8 LB/FT	581.8 LB/FT	4.0"	3.2"	4.0"	4.0"	4.0"	4.0"	4.0"	4.0"	2.2"	2.0"	2.1"	2.3"	4.0"	4.0"	4.0"	
	+/- 50 PSF	1755.0 LB/FT	734.0 LB/FT	4.0"	4.0"	4.0"	4.0"	4.0"	4.0"	4.0"	4.0"	2.2"	2.0"	2.1"	2.3"	4.0"	4.0"	4.0"	
	+/- 52 PSF	1814.1 LB/FT	762.6 LB/FT	4.0"	4.0"	4.0"	4.0"	4.0"	4.0"	4.0"	4.0"	2.2"	2.0"	2.1"	2.3"	4.0"	4.0"	4.0"	
144"	+/- 40 PSF	1566.3 LB/FT	620.3 LB/FT	4.0"	4.0"	4.0"	3.9"	4.0"	4.0"	4.0"	4.0"	2.0"	2.0"	2.1"	2.1"	4.0"	4.0"	4.0"	
	+/- 50 PSF	1978.5 LB/FT	811.6 LB/FT	4.0"	4.0"	4.0"	4.0"	4.0"	4.0"	4.0"	4.0"	2.0"	2.0"	2.1"	2.1"	4.0"	4.0"	4.0"	
	+/- 40 PSF	1749.8 LB/FT	680.1 LB/FT	4.0"	4.0"	4.0"	4.0"	4.0"	4.0"	4.0"	4.0"	2.0"	2.0"	2.1"	2.1"	4.0"	4.0"	4.0"	
	+/- 48 PSF	2125.7 LB/FT	852.3 LB/FT	4.0"	4.0"	4.0"	4.0"	4.0"	4.0"	4.0"	4.0"	2.0"	2.0"	2.1"	2.1"	4.0"	4.0"	4.0"	
	+/- 40 PSF	1938.4 LB/FT	741.4 LB/FT	4.0"	4.0"	4.0"	4.0"	4.0"	4.0"	4.0"	4.0"	2.0"	2.0"	2.1"	2.1"	4.0"	4.0"	4.0"	
	+/- 47 PSF	2277.6 LB/FT	895.3 LB/FT	4.0"	4.0"	4.0"	4.0"	4.0"	4.0"	4.0"	4.0"	2.0"	2.0"	2.1"	2.1"	4.0"	4.0"	4.0"	

ANCHOR NOTES: SEE SHEET 5 FOR ANCHOR NOTES.



ALUTECH UNITED, INC.

117 DIXON STREET
SELBYVILLE, DE 19975
PHONE: 302 - 436 - 6005 FAX: 302 - 436 - 5100
BARRACUDA ROLL-UP SHUTTER
FLORIDA PRODUCT APPROVAL
NON-HVHZ

DRWN	CHKD	DATE
KL	FLB	02/07/11
KL	FLB	11/23/11

REMARKS: 2010 FBC

COPYRIGHT FRANK L. BENNARDO P.E.

11-AUI-0001

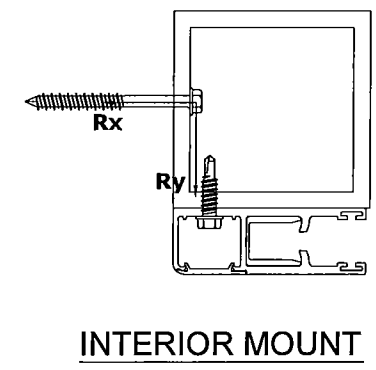
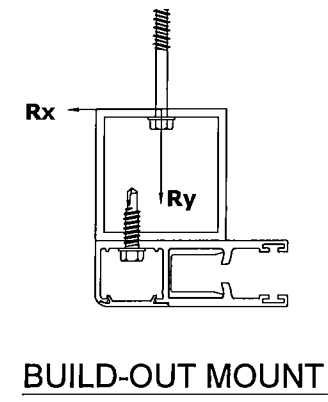
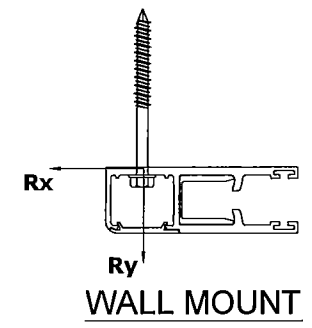
SCALE: 1/2

PAGE DESCRIPTION:

ANCHOR SCHEDULE: END RETENTION SHUTTER WITH SINGLE WALL SLATS

ANCHOR NOTES; SEE SHEET 5 FOR ANCHOR NOTES.

SLAT SPAN	DESIGN PRESSURE	Rx	Ry	MAXIMUM SPACING (O.C.)													
				1/4" ELCO ULTRACON TO 2846 PSI MIN. CONCRETE; 1.75" MIN. EMBEDMENT; 2.5" MIN. EDGE DISTANCE	1/4" SS ITW TAPCON TO 3192 PSI MIN. CONCRETE; 1.75" MIN. EMBEDMENT; 2.5" MIN. EDGE DISTANCE	5/16" ITW TAPCON		1/4" POWERS POWER-BOLT TO 3000 PSI MIN. CONCRETE; 2.5" MIN. EMBEDMENT; 3" MIN. EDGE DISTANCE	1/4" ALL-POINTS SOLID-SET		1/4" LAG SCREW TO G=0.55 MIN WOOD; 1.5" MIN. EMBEDMENT; 0.75" MIN. EDGE DISTANCE	5/16" LAG SCREW TO G=0.42 MIN WOOD; 2" MIN. EMBEDMENT; 0.75" MIN. EDGE DISTANCE	#14 WOOD SCREW TO G=0.55 MIN WOOD; 1.5" MIN. EMBEDMENT; 0.75" MIN. EDGE DISTANCE	#14 316 SS SMS W/ FULL THREAD PENETRATION (OR 1/4-20 316 SS THRU-BOLT) W/ 5/8" WASHER TO 0.125" MIN. 6063-T5 ALUM; 0.5" MIN. EDGE DISTANCE	#14 316 SS SMS W/ FULL THREAD PENETRATION (OR 1/4-20 316 SS THRU-BOLT) W/ 5/8" WASHER TO 0.25" MIN. 6063-T5 ALUM; 0.5" MIN. EDGE DISTANCE	3/8" POWERS WEDGE BOLT TO 3000 PSI MIN. CONCRETE; 3.5" MIN. EMBEDMENT; 4.5" MIN. EDGE DISTANCE	
WALL MOUNT																	
114"	+/- 25 PSF	426.4 LB/FT	253.8 LB/FT	4.0"	4.0"	4.0"	4.0"	4.0"	4.0"	4.0"	4.0"	4.0"	4.0"	3.6"	4.0"	4.0"	4.0"
	+/- 30 PSF	516.7 LB/FT	313.8 LB/FT	4.0"	4.0"	4.0"	4.0"	4.0"	4.0"	4.0"	4.0"	4.0"	4.0"	3.4"	3.0"	3.5"	4.0"
	+/- 35 PSF	606.1 LB/FT	376.3 LB/FT	4.0"	4.0"	4.0"	4.0"	4.0"	3.8"	4.0"	4.0"	3.9"	2.9"	2.6"	3.0"	4.0"	4.0"
	+/- 40 PSF	694.5 LB/FT	441.2 LB/FT	4.0"	4.0"	4.0"	4.0"	4.0"	4.0"	4.0"	4.0"	3.9"	2.9"	2.6"	3.0"	4.0"	4.0"
	+/- 45 PSF	782.0 LB/FT	508.3 LB/FT	4.0"	4.0"	4.0"	4.0"	4.0"	4.0"	4.0"	4.0"	3.9"	2.9"	2.6"	3.0"	4.0"	4.0"
+/- 50 PSF	868.5 LB/FT	577.7 LB/FT	4.0"	4.0"	4.0"	4.0"	4.0"	4.0"	4.0"	4.0"	4.0"	3.3"	2.2"	2.0"	2.3"	3.2"	4.0"
BUILD-OUT MOUNT																	
114"	+/- 25 PSF	426.4 LB/FT	423.0 LB/FT	4.0"	4.0"	4.0"	4.0"	4.0"	4.0"	4.0"	4.0"	3.8"	3.4"	3.8"	4.0"	4.0"	4.0"
	+/- 30 PSF	516.7 LB/FT	523.2 LB/FT	4.0"	4.0"	4.0"	4.0"	4.0"	4.0"	4.0"	3.7"	3.1"	2.8"	3.2"	3.5"	4.0"	4.0"
	+/- 35 PSF	606.1 LB/FT	627.4 LB/FT	4.0"	4.0"	4.0"	4.0"	4.0"	4.0"	4.0"	3.7"	3.1"	2.7"	2.4"	2.7"	2.9"	4.0"
	+/- 40 PSF	694.5 LB/FT	735.4 LB/FT	4.0"	4.0"	4.0"	4.0"	4.0"	4.0"	4.0"	3.7"	3.1"	2.7"	2.4"	2.7"	2.9"	4.0"
	+/- 45 PSF	782.0 LB/FT	847.3 LB/FT	4.0"	4.0"	4.0"	4.0"	4.0"	4.0"	4.0"	3.7"	3.1"	2.7"	2.4"	2.7"	2.9"	4.0"
+/- 50 PSF	868.5 LB/FT	963.0 LB/FT	4.0"	4.0"	4.0"	4.0"	4.0"	4.0"	4.0"	3.6"	3.0"	2.0"	2.0"	2.2"	3.1"	4.0"	
INTERIOR MOUNT																	
114"	+/- 25 PSF	595.6 LB/FT	253.8 LB/FT	4.0"	4.0"	4.0"	4.0"	4.0"	4.0"	4.0"	4.0"	4.0"	4.0"	4.0"	3.6"	4.0"	4.0"
	+/- 30 PSF	726.0 LB/FT	313.8 LB/FT	4.0"	4.0"	4.0"	4.0"	4.0"	4.0"	4.0"	4.0"	4.0"	4.0"	3.7"	2.9"	4.0"	4.0"
	+/- 35 PSF	857.1 LB/FT	376.3 LB/FT	4.0"	4.0"	4.0"	4.0"	4.0"	4.0"	4.0"	4.0"	4.0"	4.0"	3.7"	3.2"	3.7"	4.0"
	+/- 40 PSF	988.8 LB/FT	441.2 LB/FT	4.0"	4.0"	4.0"	4.0"	4.0"	4.0"	4.0"	4.0"	4.0"	4.0"	3.7"	3.2"	3.7"	4.0"
	+/- 45 PSF	1121.0 LB/FT	508.3 LB/FT	4.0"	4.0"	4.0"	4.0"	4.0"	4.0"	4.0"	4.0"	4.0"	4.0"	3.7"	3.2"	3.7"	4.0"
+/- 50 PSF	1253.8 LB/FT	577.7 LB/FT	4.0"	4.0"	4.0"	4.0"	4.0"	4.0"	4.0"	4.0"	4.0"	4.0"	3.7"	3.2"	3.7"	4.0"	



FRANK L. BENNARDO, P.E.
#120046549
12/07/11 12:01:13
PROFESSIONAL ENGINEER
FLORIDA

ENGINEER EXPRESS
160 SW 12th Avenue, #106
Deerfield Beach, FL 33442
Ph: (954) 354-0660 Fax: (954) 354-0643
WWW.ENGEXP.COM
CERT OF AUTH #9885
A FRANK L. BENNARDO, P.E., INC. INNOVATION

ALUTECH UNITED, INC.
117 DIXON STREET
SELBYVILLE, DE 19975
PHONE: 302 - 436 - 6005 FAX: 302 - 436 - 5100

BARRACUDA ROLL-UP SHUTTER
FLORIDA PRODUCT APPROVAL
NON-HVHZ

DRWN	CHKD	DATE
KL	FLB	02/07/11
KL	FLB	11/23/11

REMARKS
INIT ISSUE
2010 FBC

THIS DOCUMENT IS THE PROPERTY OF FRANK L. BENNARDO, P.E. AND SHALL NOT BE REPRODUCED IN WHOLE OR PART WITHOUT WRITTEN CONSENT OF FRANK L. BENNARDO, P.E. ALTERATIONS, ADDITIONS, NEGLIGENT, OR OTHER VIOLATIONS TO THIS DOCUMENT ARE NOT PERMITTED AND INVALIDATE OUR CERTIFICATION.

COPYRIGHT FRANK L. BENNARDO P.E.

11-AUI-0001

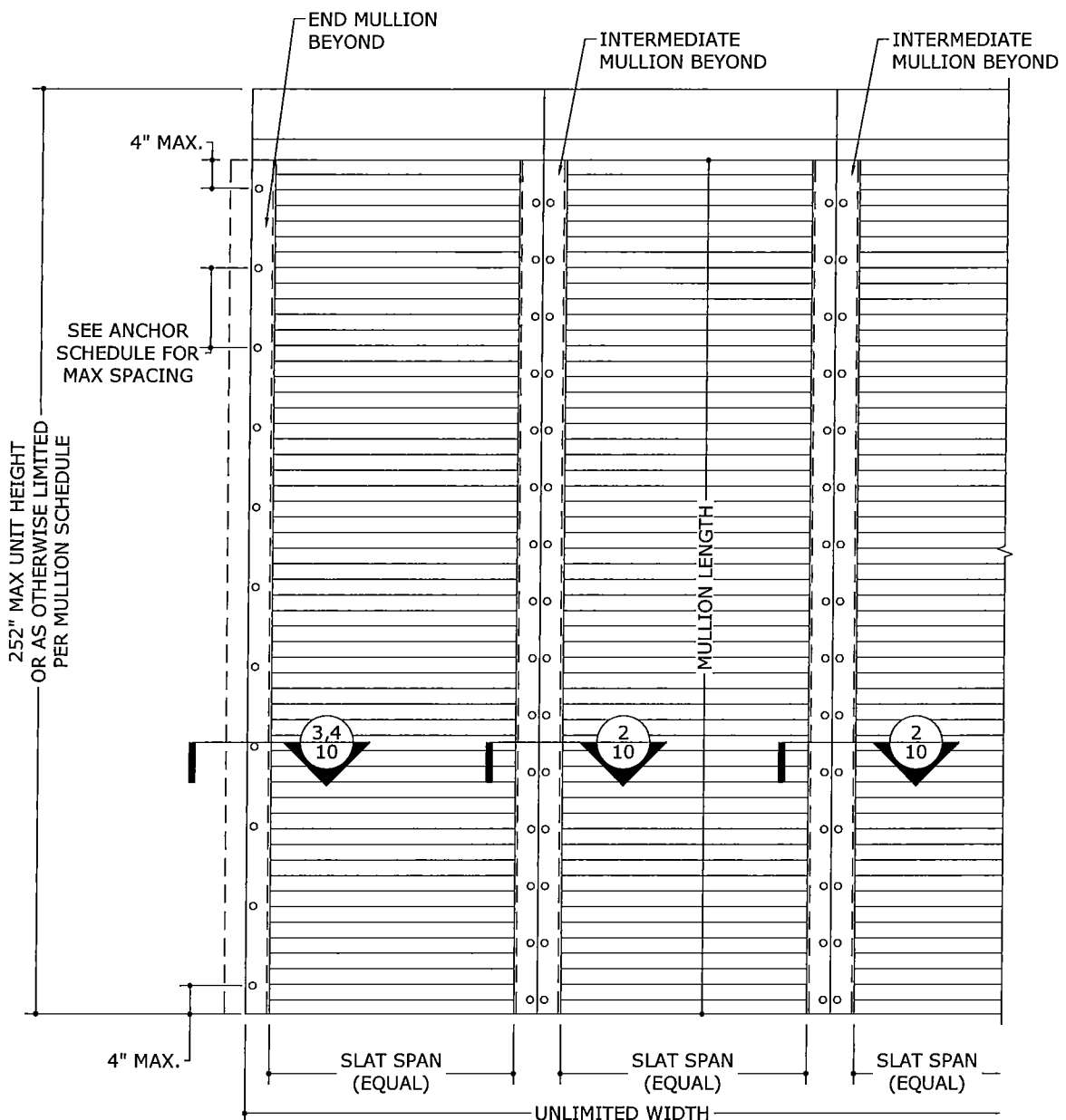
SCALE: 02

PAGE DESCRIPTION:

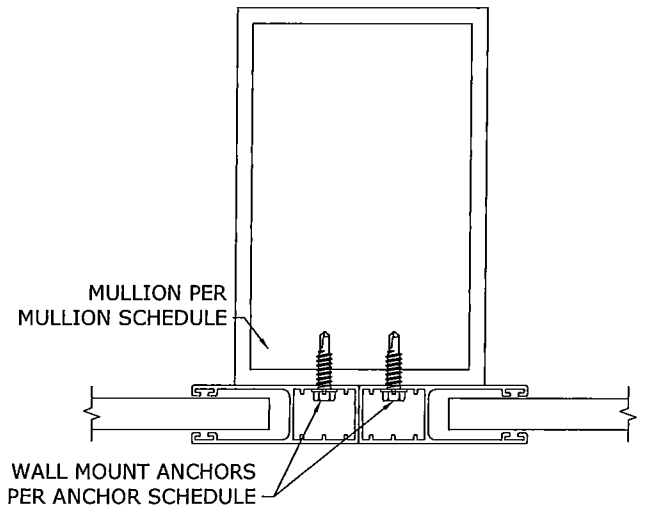
12

F:\01 Project Files\Alutech United, Inc (AUI)\2011\11-AUI-0001 Barracuda III (FSA) Initial Sub\11-AUI-0001 Barracuda Roll-up Shutter (FSA).dwg keith 12/07/2011 - 9:50am

12/01/2011 - 9:50am keithl F:\01 Project Files\Alutech United, Inc (AUI)\201111-AUI-0001 Barracuda III (FSA) Initial Sub11-AUI-0001_02a Barracuda Roll-up Shutter (FSA).dwg

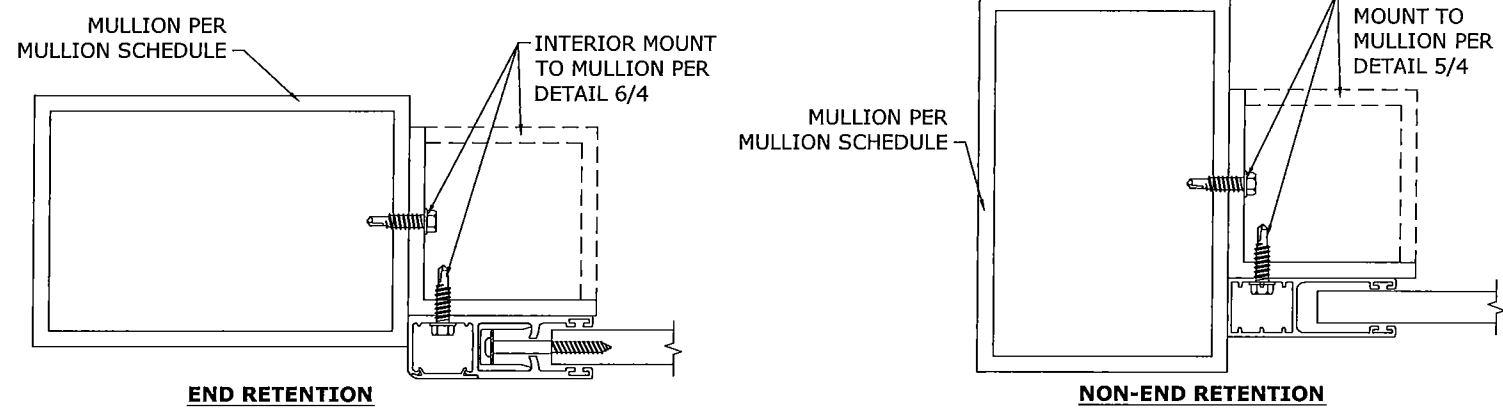


1
10 N.T.S. **TYPICAL SHUTTER WITH MULLIONS**
EXTERIOR ELEV

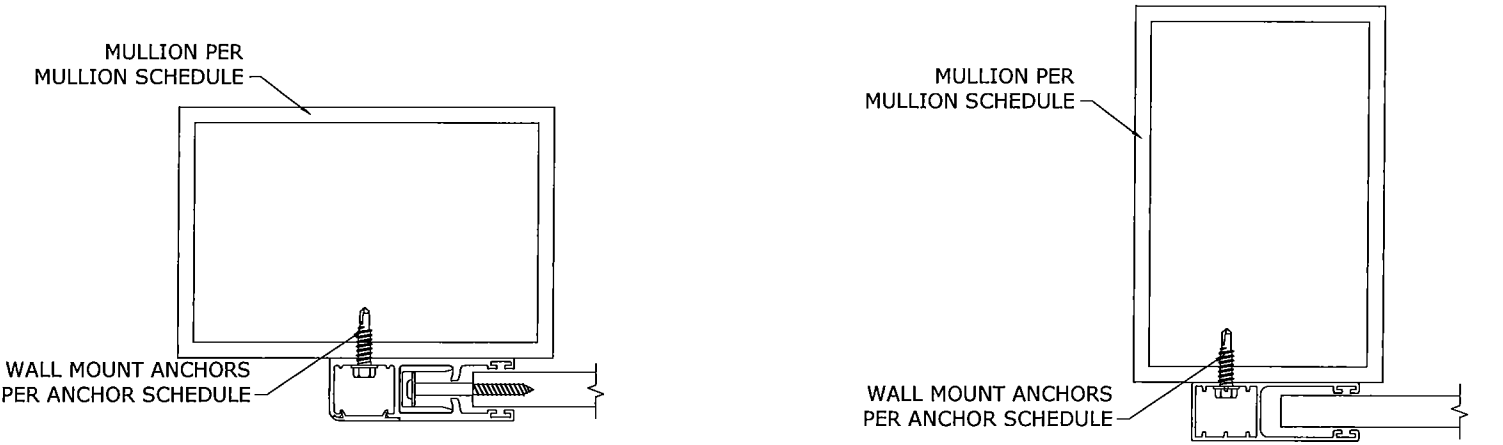


NOTE: SEE SHEET 4 FOR ADDITIONAL LIMITATIONS AND REQUIREMENTS. NON-END RETENTION SHUTTER SHOWN HERE. END RETENTION SHUTTER WALL MOUNT TO MULLION SIMILAR, SEE DETAIL 2/4.

2
10 N.T.S. **TYPICAL MOUNT TO INTERMEDIATE MULLION**
HORIZ SECTION



3
10 N.T.S. **INTERIOR MOUNT TO END MULLION**
HORIZ SECTION



4
10 N.T.S. **WALL MOUNT TO END MULLION**
HORIZ SECTION

FRANK L. BENNARDO, P.E.
#00046549
12/01/2011
PROFESSIONAL ENGINEER
STATE OF FLORIDA
ENGINEERING EXPRESS
160 SW 12th Avenue, Suite 106
Deerfield Beach, FL 33442
Ph: (954) 354-0660 Fax: (954) 354-0643
WWW.ENGEXP.COM
CERT OF AUTH #8885
A FRANK L. BENNARDO, P.E., INC. INNOVATION

ALUTECH UNITED, INC.
117 DIXON STREET
SELBYVILLE, DE 19975
PHONE: 302 - 436 - 6005 FAX: 302 - 436 - 5100
BARRACUDA ROLL-UP SHUTTER
FLORIDA PRODUCT APPROVAL
NON-HVHZ

DRWN	CHKD	DATE
KL	FLB	02/07/11
KL	FLB	11/23/11

REMARKS
INIT ISSUE
2010 FBC

THIS DOCUMENT IS THE PROPERTY OF FRANK L. BENNARDO, P.E. AND SHALL NOT BE REPRODUCED IN WHOLE OR PART WITHOUT WRITTEN CONSENT OF FRANK L. BENNARDO, P.E. ALTERATIONS, ADDITIONS, INKING, OR OTHER MARKINGS TO THIS DOCUMENT ARE NOT PERMITTED AND WILL INVALIDATE OUR CERTIFICATION.

COPYRIGHT FRANK L. BENNARDO P.E.

11-AUI-0001

SCALE: 02

PAGE DESCRIPTION:

END RETENTION MULLION SCHEDULE

SLAT SPAN	DESIGN PRESSURE	3"x3"x0.25" 6063-T6 ALUMINUM TUBE						4"x6"x0.25" 6063-T6 ALUMINUM TUBE						4"x8"x0.25" 6063-T6 ALUMINUM TUBE					
		INTERMEDIATE MULLION		END MULLION				INTERMEDIATE MULLION		END MULLION				INTERMEDIATE MULLION		END MULLION			
		MAX MULLION LENGTH	END REACTION Rsum	MAX MULLION LENGTH	END REACTION Rv	END REACTION Rt	END REACTION Rsum	MAX MULLION LENGTH	END REACTION Rsum	MAX MULLION LENGTH	END REACTION Rv	END REACTION Rt	END REACTION Rsum	MAX MULLION LENGTH	END REACTION Rsum	MAX MULLION LENGTH	END REACTION Rv	END REACTION Rt	END REACTION Rsum
UP TO 96"	UP TO 60 PSF	55.1"	2480 LB	49.1"	1562 LB	1106 LB	1914 LB	102.6"	4620 LB	83.9"	2669 LB	1889 LB	3270 LB	126.3"	5685 LB	91.2"	2901 LB	2054 LB	3555 LB
	UP TO 113 PSF	54.1"	2529 LB	48.6"	1596 LB	1136 LB	1959 LB	100.7"	4709 LB	82.9"	2723 LB	1938 LB	3342 LB	123.9"	5795 LB	90.1"	2960 LB	2107 LB	3633 LB
UP TO 180"	UP TO 40 PSF	47.1"	2908 LB	38.8"	2332 LB	1198 LB	2622 LB	87.6"	5414 LB	69.1"	4157 LB	2135 LB	4673 LB	107.8"	6661 LB	81.9"	4928 LB	2531 LB	5540 LB
	UP TO 62 PSF	42.8"	3195 LB	35.7"	2500 LB	1332 LB	2833 LB	79.7"	5949 LB	63.6"	4452 LB	2372 LB	5044 LB	98.1"	7319 LB	75.3"	5273 LB	2809 LB	5975 LB

END RETENTION MULLION SCHEDULE NOTES:

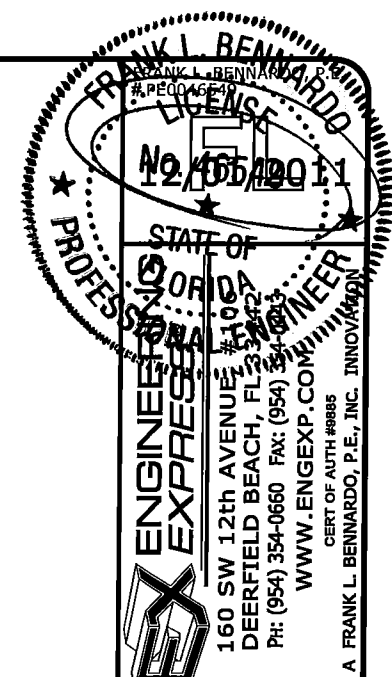
- "END RETENTION MULLION SCHEDULE" IS APPLICABLE TO ALL END RETENTION MULLIONS.
- "INTERMEDIATE MULLIONS" AND "END MULLIONS" ARE AS DEFINED IN ELEVATION 1/10.
- ALLOWABLE DESIGN PRESSURES AND SLAT SPANS INDICATED ARE FOR DETERMINING PERMISSIBLE MULLION LENGTHS ONLY. ACTUAL SLAT SPANS AND DESIGN PRESSURES SHALL NOT EXCEED THOSE INDICATED IN SPAN SCHEDULES.
- "END REACTIONS" ARE LISTED FOR EACH COMBINATION OF DESIGN LOAD, MULLION TYPE, & SLAT SPAN. CHOOSE MOUNTING CONNECTIONS (PER APPLICABLE CONNECTION DETAILS HEREIN) THAT PROVIDES "CONNECTION CAPACITY" GREATER THAN OR EQUAL TO "END REACTIONS" GIVEN ABOVE.
- THIS SCHEDULE MAY BE USED FOR ALL MOUNTING CONDITIONS LISTED HEREIN.
- SEE MULLION HORIZONTAL SECTIONS ON SHEET 10 FOR REQUIRED MULLION ORIENTATIONS.

NON-END RETENTION MULLION SCHEDULE

3"x3"x0.25" 6063-T6 ALUMINUM TUBE				4"x6"x0.25" 6063-T6 ALUMINUM TUBE				4"x8"x0.25" 6063-T6 ALUMINUM TUBE			
INTERMEDIATE MULLION		END MULLION		INTERMEDIATE MULLION		END MULLION		INTERMEDIATE MULLION		END MULLION	
MAX MULLION LENGTH	END REACTION Rsum	MAX MULLION LENGTH	END REACTION Rsum	MAX MULLION LENGTH	END REACTION Rsum	MAX MULLION LENGTH	END REACTION Rsum	MAX MULLION LENGTH	END REACTION Rsum	MAX MULLION LENGTH	END REACTION Rsum
91.0"	910 LB	114.6"	574 LB	171.7"	1717 LB	216.3"	1082 LB	217.3"	2173 LB	240.0"	1200 LB

NON-END RETENTION MULLION SCHEDULE NOTES:

- "NON-END RETENTION MULLION SCHEDULE" IS APPLICABLE TO NON-END RETENTION MULLIONS.
- "INTERMEDIATE MULLIONS" AND "END MULLIONS" ARE AS DEFINED IN ELEVATION 1/10.
- MULLION HEIGHTS NOTED ARE APPLICABLE TO ALL ALLOWABLE SHUTTER SPANS AND DESIGN PRESSURES NOTED IN NON-END RETENTION SPAN SCHEDULE.
- "END REACTIONS" ARE LISTED FOR EACH MULLION TYPE. CHOOSE MOUNTING CONNECTIONS (PER APPLICABLE CONNECTION DETAILS HEREIN) THAT PROVIDES "CONNECTION CAPACITY" GREATER THAN OR EQUAL TO "END REACTIONS" GIVEN ABOVE.
- THIS SCHEDULE MAY BE USED FOR ALL MOUNTING CONDITIONS LISTED HEREIN.
- SEE MULLION HORIZONTAL SECTIONS ON SHEET 10 FOR REQUIRED MULLION ORIENTATIONS.



ALUTECH UNITED, INC.
117 DIXON STREET
SELBYVILLE, DE 19975

PHONE: 302 - 436 - 6005 FAX: 302 - 436 - 5100
BARRACUDA ROLL-UP SHUTTER
FLORIDA PRODUCT APPROVAL
NON-HVHZ

DRWN	CHKD	DATE
KL	FLB	02/07/11
KL	FLB	11/23/11

REMARKS: 2010 FBC

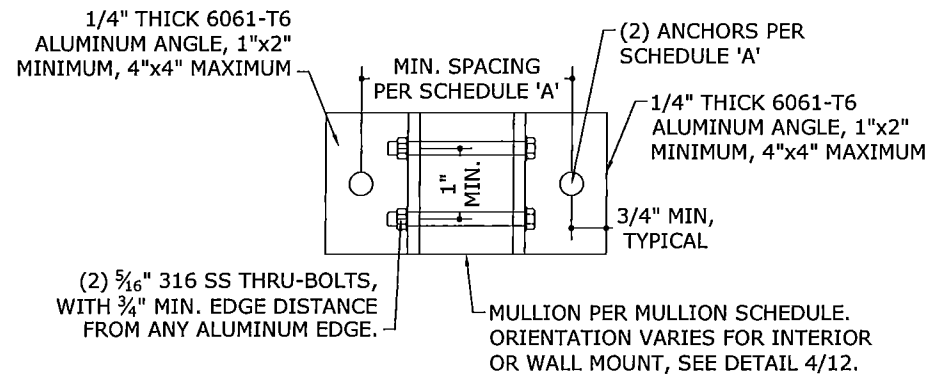
THIS DOCUMENT IS THE PROPERTY OF FRANK L. BENNARDO, P.E. AND SHALL NOT BE REPRODUCED IN WHOLE OR PART WITHOUT WRITTEN CONSENT OF FRANK L. BENNARDO, P.E. * ALTERNATIONS, ADDITIONS, DELETIONS, OR OTHER MARKINGS TO THIS DOCUMENT ARE NOT PERMITTED AND INVALIDATE OUR CERTIFICATION.

COPYRIGHT FRANK L. BENNARDO P.E.

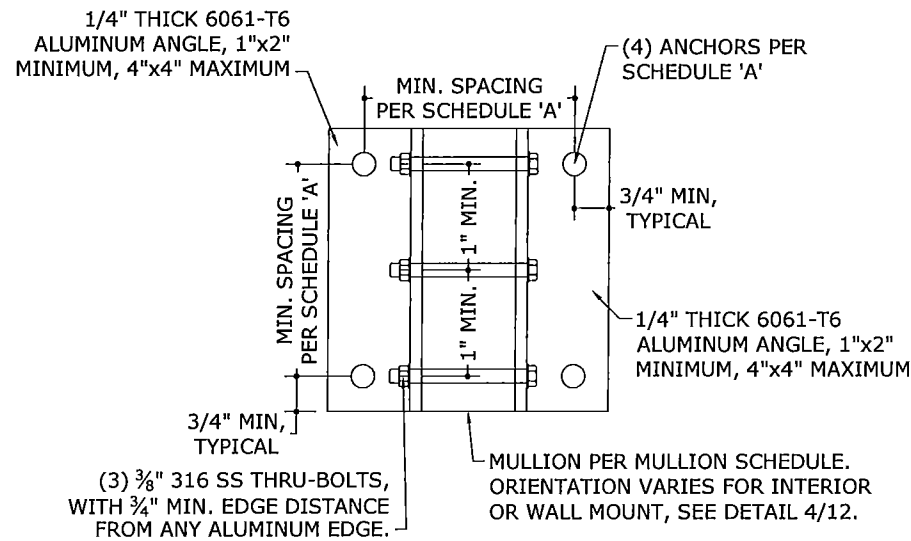
11-AUI-0001

SCALE: 02

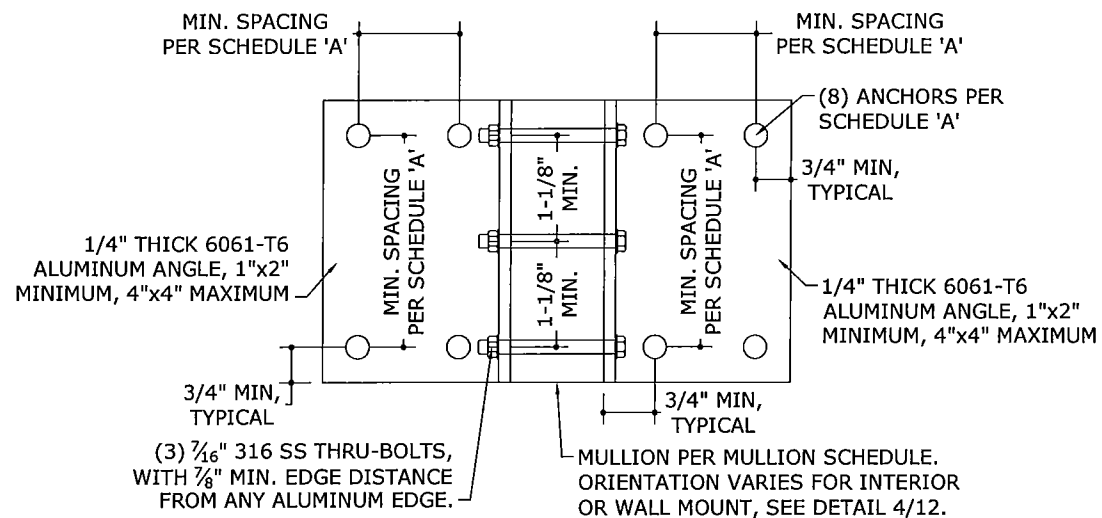
PAGE DESCRIPTION:



1
12 INTERIOR OR WALL MOUNT
N.T.S.



2
12 INTERIOR OR WALL MOUNT
N.T.S.



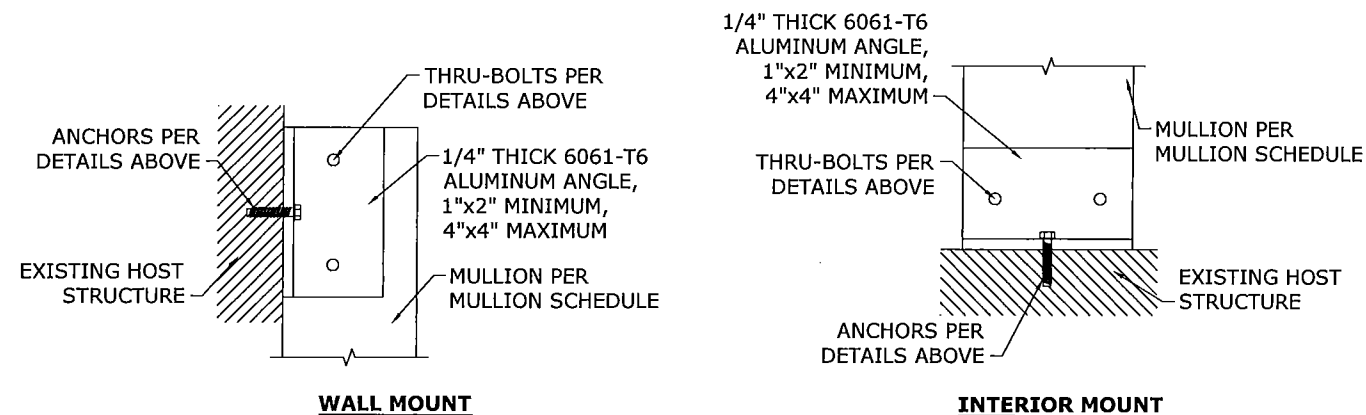
3
12 INTERIOR OR WALL MOUNT
N.T.S.

SCHEDULE 'A'

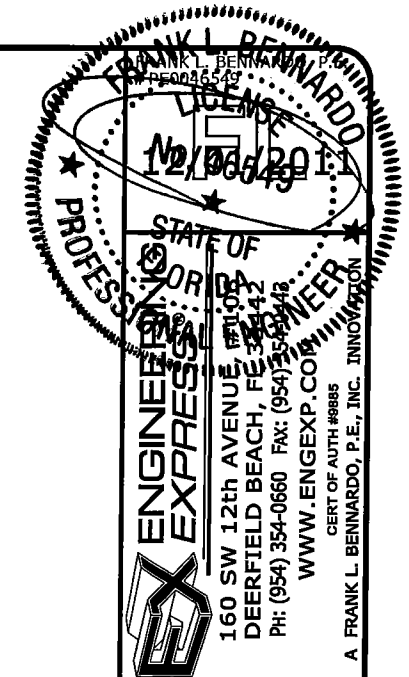
ANCHOR TYPE	MINIMUM SPACING	MINIMUM EDGE DISTANCE	CONNECTION DETAIL	CONNECTION CAPACITY	
				Tcap	Vcap
3/8" POWERS WEDGE BOLTS W/ 3-1/2" EMBED TO 3KSI MIN. CONCRETE	4.5"	4.5"	1/12	Tcap	4410 LB
				Vcap	3065 LB
			2/12	Tcap	8820 LB
	2.5"	4.5"	3/12	Vcap	6130 LB
				Tcap	11819 LB
			Vcap	10176 LB	
3/8" POWERS STEEL DROPIN W/ 1-9/16" EMBED TO 3KSI MIN. CONCRETE	4.5"	5.25"	1/12	Tcap	1590 LB
				Vcap	2290 LB
			2/12	Tcap	3180 LB
	2.5"	5.25"	3/12	Vcap	4580 LB
				Tcap	3689 LB
			Vcap	5313 LB	
5/16" ITW TAPCON XL OR ELCO ULTRACON W/ 2-1/4" MIN. EMBED TO 3.515 KSI MIN. CONCRETE	5.0"	3.125"	1/12	Tcap	1576 LB
				Vcap	1700 LB
	2/12	Tcap	3152 LB		
		Vcap	3400 LB		

SCHEDULE 'A' NOTES:

1. INTERIOR MOUNT:
 - 1.1. FOR ALL MULLIONS, 'Rsum' VALUES IN MULLION SCHEDULE SHALL NOT EXCEED MAX 'Vcap' VALUES NOTED IN SCHEDULE 'A'.
2. WALL MOUNT:
 - 2.1. FOR INTERMEDIATE END RETENTION MULLIONS AND ALL NON-END RETENTION MULLIONS, 'Rsum' VALUES IN MULLION SCHEDULE SHALL NOT EXCEED MAX 'Tcap' VALUES NOTED IN SCHEDULE 'A'.
 - 2.2. FOR END RETENTION END MULLIONS, **Rv/Vcap + Rt/Tcap SHALL BE LESS THAN OR EQUAL TO 1.0**, WHERE 'Rv' AND 'Rt' ARE PER MULLION SCHEDULE, AND 'Tcap' AND 'Vcap' ARE PER SCHEDULE 'A'.



4
12 MOUNTING CONDITIONS VERTICAL SECTIONS
N.T.S.



ALUTECH UNITED, INC.
117 DIXON STREET
SELBYVILLE, DE 19975
PHONE: 302 - 436 - 6005 FAX: 302 - 436 - 5100
BARRACUDA ROLL-UP SHUTTER
FLORIDA PRODUCT APPROVAL
NON-HVHZ

DRWN	CHKD	DATE
KL	FLB	02/07/11
KL	FLB	11/23/11

REMARKS: INIT ISSUE 2010 FRC

THIS DOCUMENT IS THE PROPERTY OF FRANK L. BERNARDO, P.E., INC. IT IS TO BE USED ONLY FOR THE PROJECT AND SPECIFICATIONS FOR WHICH IT WAS PREPARED. IT IS NOT TO BE REPRODUCED, COPIED, OR TRANSMITTED IN ANY FORM OR BY ANY MEANS, WITHOUT THE WRITTEN CONSENT OF FRANK L. BERNARDO, P.E. ALTERNATIVE ADAPTATIONS, MODIFICATIONS, OR OTHER VARIATIONS TO THIS DOCUMENT ARE NOT PERMITTED AND INVALIDATE OUR CERTIFICATION.

COPYRIGHT FRANK L. BERNARDO P.E.

11-AUI-0001
SCALE: 02
PAGE DESCRIPTION:
12