



MATERIAL HANDLING COMPONENTS · LIVE STORAGE SYSTEMS

euroroll®

WORLDWIDE COOPERATION

regarding delivery, customer service, service and support



**Worldwide customer support by
EUROROLL directly or through one of
our partner companies.
Effectively, quickly and inexpensively.
Contact us.**

PRODUCT OVERVIEW



Fix-Wheel Rails
rationalisation, transportation, automation

4-9

Auto-Fix Wheel Rails

10-11

Scenstrips
in order picking live storage tracks

12

Superfix-Wheel Rails for the transportation
of heavy goods in rough working conditions

13

Transquick-Straight Sections and Bends,
commissioning wheel conveyors

14-15

EUROROLL Transfix light weight roller conveyor

16-17

Universal-Roller Tracks
for conveyors and live storage systems

18-21

Colli-Roller Tracks solve conveying problems
for middle weight goods

22-23

Multi-Directional Tracks
Multi-Directional Wheels

24-27

EUROROLL-Pallet Roller Tracks for
live storage systems and flow stores

28-31

EUROROLL-Groovy-Pallet Roller Tracks for
live storage systems and flow stores

32-33

EUROLL-Pallet Roller Tracks
for in store transportation

34-35

EUROROLL Brake Rollers/Brake Conveyor Rollers

36-39

EUROROLL
Brake Conveyor Rollers dia. 80 mm

40-41

EUROROLL-Pallet Live Storage Systems,
Flow Stores, Gravity Conveyor Tracks,
Roller Tracks for live storage racking

42

Live Storage Racking, Pushfix-Push Back
System, fixation, applications

43-47

EUROROLL-Pallet Roller Tracks
in cross batten and lengthways transportation

48-49

Pallet Roller Tracks, Safety Devices,
Roller Tracks Profiles

50-52

Pallet Roller Tracks,
hints and examples of applications

53-57



Fix-Wheel Rails are mainly used in live storage systems. They provide a secure way of moving conveying boxes and cardboard boxes. However, due to their characteristics many more possibilities over and above live storage are possible.

- Guide rails for conveyor systems
- Wheel conveyors and roller carpets as link between two work stations
- Packing and despatch tables
- Installation help, e.g. in the wood and glass industry

Wheels running on steel guarantee a high carrying capacity (10 kg) with a very low coefficient of friction.



The wheels are made of a high-quality thermo plastic (polypropylene PP), which is of outstanding impact resistance and is not brittle. This plastic material has a temperature resistance from -30°C up to $+100^{\circ}\text{C}$. The material is resistant against acids and alkali and does not attract moisture. The plastic material is not UV-resistant. The channel profiles are made of cold-rolled-Sendzimir-galvanised steel profile with rounded edges. The loading of the channel profiles is illustrated by the resisting torque* of 0.5 cm^3 . Changing the wheels is simple and quick. Dependant on the application several wheel pitches can be obtained (16.667 mm, 33.334 mm, 50 mm, 66.667 mm, 83.334 mm 100 mm etc.) with either normal or flanged wheels. Guide rails and wheel rails accessories such as connectors, end stops, fixing clamps complete the product range.

The Fix-Wheel Rails with a steel axis for a smooth and silent running of material flow are:

- strong and tough
- economical and inexpensive
- tested and proven by a production of more than 50 million metres
- variable as no other wheel rail system

* The resisting torque is a common measure for resistance in engineering mechanics, that a body with the given cross section opposes a bend or torsion.

FIX-WHEEL RAILS DBGM

rationalisation, transportation, automation



IN STOCK

The following items can always be delivered immediately from stock:

1. Normal wheels
2. Flanged wheels
3. Guide rails
4. Anti-static and specially conductive wheels
5. In stainless steel material No. 1.4301, suitable for use in foodstuffs

ACCESSORIES

A broad range of standard accessories supplements and simplifies the use of the Fix-Wheel Rails.

WHEEL RAILS

All wheel rails and guide rails can be delivered in any length required by the customer (maximum length 6500 mm). The wheel rails can be equipped with normal wheels (**N**) and flanged wheels (**SP**). When ordering please state the required pitch. Our standard wheel rail colour is yellow.

The pitches 33, 50, etc. stated in the catalogue are approximated. The exact hole pitch of the Fix-Wheel Rail is 16.667 mm ± 0.1 mm. Please consider the stated tolerances.

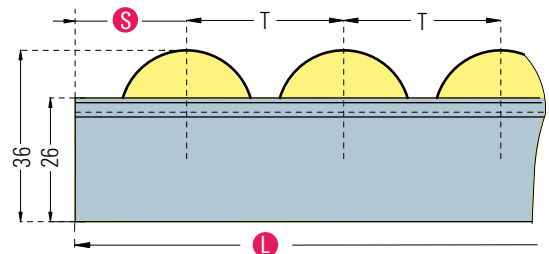
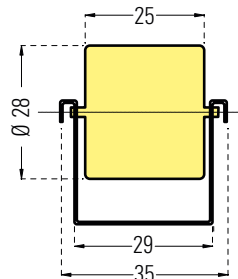
When the position of the first wheel rail (S) (middle axis) has to be determined exactly, keep to the exact measurement on this end. On the other end state a measurement by adding the single hole pitches considering the tolerances.

The wheel rails are made of polypropylene (PP) and can be used at a temperature of 30 °C up to +100 °C. The used plastic material is not UV-resistant.

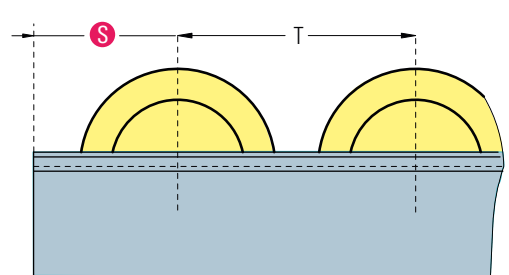
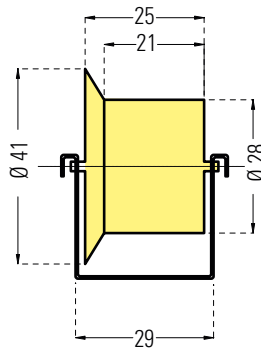
The following special wheels are available:

1. Deep freeze design from of -30 °C
2. Highly conductive wheels – anti-static (colour: black).
Permitted range of temperature -20 °C up to +40 °C
3. Special colours are available upon request

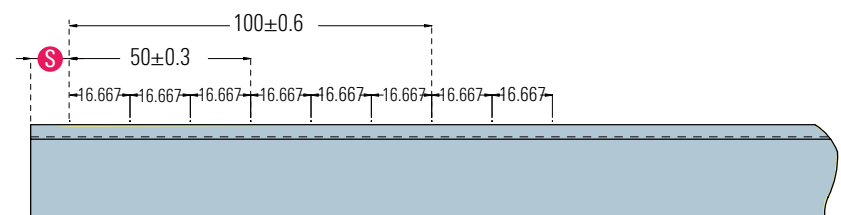
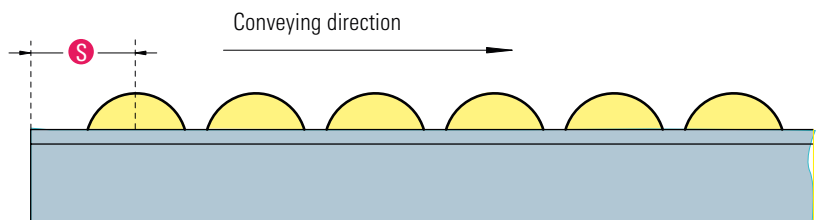
When ordering flanged roller rails, either left hand or right hand rails need to be ordered. The wheel rails will always be equipped so that no wheel protrudes from the wheel rail, when no free space is indicated. If the wheels need to start with an exact defined measurement, please indicate this.



T = 33.334, 50, 66.667, 83.334, 100



T = 50, 66.667, 83.334, 100



Fix Wheels tolerances

ADDITIONAL EQUIPMENT

Axis and profile in stainless steel (**/VA**)

Only the axis in stainless steel (**/AE**)

Special Designs for Normal Wheels:

Wheels highly conductive (**/HL**)

Permitted range of temperature:

-20 °C up to + 40 °C

Wheel colour black (**/Schw**)

Special Designs for Flanged Wheels:

Wheels highly conductive (**/HL**)

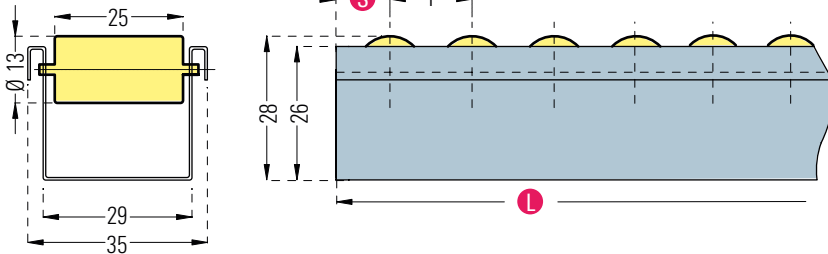
Wheel colour black (**/Schw**)

FIX-WHEEL RAILS ^{DBGM}

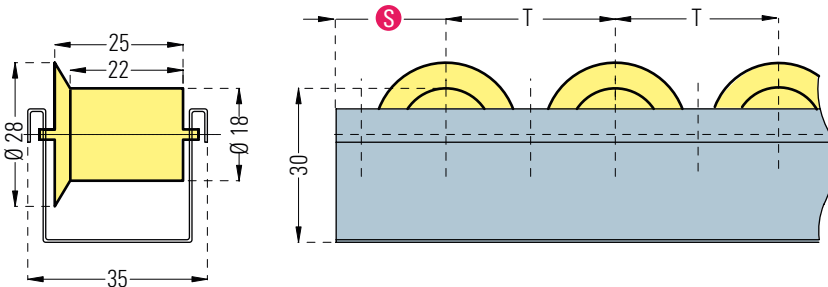
rationalisation, transportation, automation



Fix-Wheel Rail with mini normal wheels
T = 16.667, 33.334, 50



Fix-Wheel Rail with mini flanged wheels
T = 33.334, 50, 66.667, 83.334



To fulfil all market requirements Fix-Wheel Rails are equipped with different wheels:

Fix-Wheel Rail with mini normal wheels, dia. 13 mm (**N mini**)

Fix-Wheel Rail with flanged wheels, dia. 18 mm (**SP mini**)

WHEEL RAILS				VARIANTS IN DESIGN			
Design/Type	Pitch	Length /L (max. 6500 mm)	Start of wheels /S	Axis stainless steel	Axis + profile stainless steel	Wheels highly conductive	Wheel colour black
N	33.334	/AE	/VA	/HL	/Schw
N	50	/AE	/VA	/HL	/Schw
N	66.667	/AE	/VA	/HL	/Schw
N	83.334	/AE	/VA	/HL	/Schw
N	100	/AE	/VA	/HL	/Schw
SP	50	/AE	/VA	/HL	/Schw
SP	66.667	/AE	/VA	/HL	/Schw
SP	83.334	/AE	/VA	/HL	/Schw
SP	100	/AE	/VA	/HL	/Schw
N mini	16.667	/AE	/VA	/HL	/Schw
N mini	33.334	/AE	/VA	/HL	/Schw
N mini	50	/AE	/VA	/HL	/Schw
SP mini	33.334	/AE	/VA		
SP mini	50	/AE	/VA		
SP mini	66.667	/AE	/VA		

Order Example: N 33/2150/S = 16 /VA

Normal wheels, 33.334 mm pitch, 2150 mm long, start of wheels front 16 mm (until middle first wheel), axis + profile made out of stainless steel

ACCESSORIES

Guide rail: **FU** – Length **L2/L1**

Material: steel galvanised. Please state measurements L1, L2 and A.

End plug: **ST**

The end plug can be installed on one or on both sides and has to be ordered separately.

Spread safeguard: **SPS**

(not for Nmini16 and SP50)

The spread safeguard is made out of a special bent and hardened spring wire dia. 1.5 mm, which avoids a spreading of the Fix-Wheel Rails during transportation of heavier weights especially at the feeding station. The protection is clamped in a free axis holder.

Spring clamp: **BFKL** and **FKL**

The spring clamp can be delivered at a length of $x = 10$ mm respectively 14 mm and 20 mm.

Please indicate the measure A, B, L.

End stop: **EGF** and **EF**

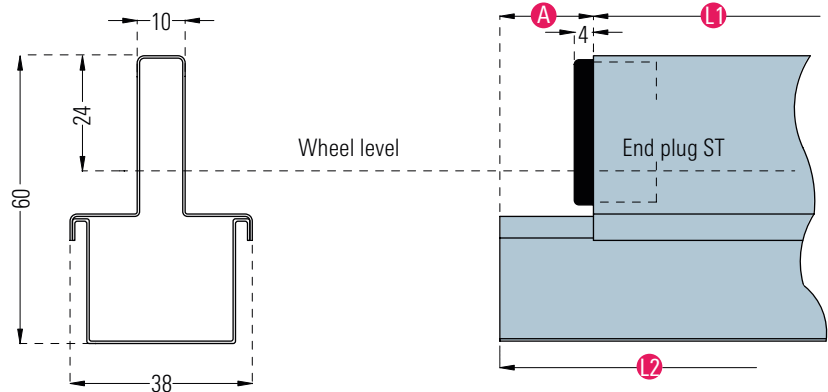
The end stop (**EGF**) consists of a 3 mm strong steel angle with rounded edges and is riveted to the rail. The end stop (**EF**) is screwed underneath the rail.

Connector: **VF**

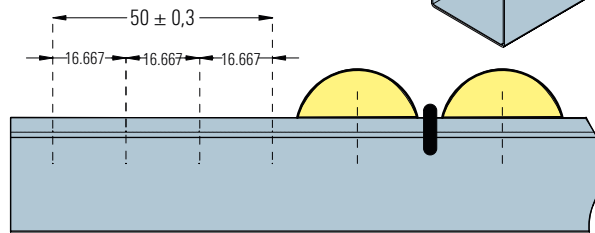
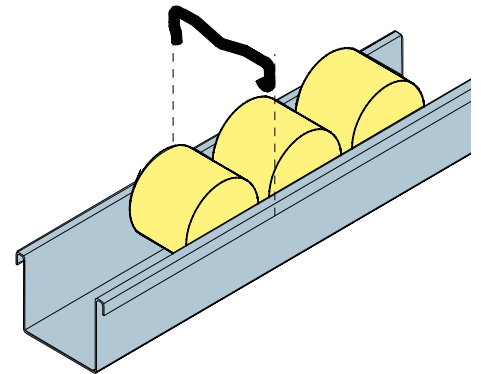
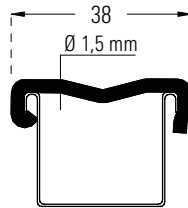
The connector, incl. 4 screws, consists of a U-shaped profile, which is mounted underneath to the wheel rail.

Round holes have to be ordered additionally for the channel (**RL**), $D = 6.5$ mm.

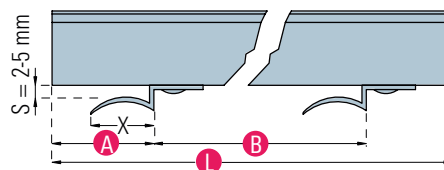
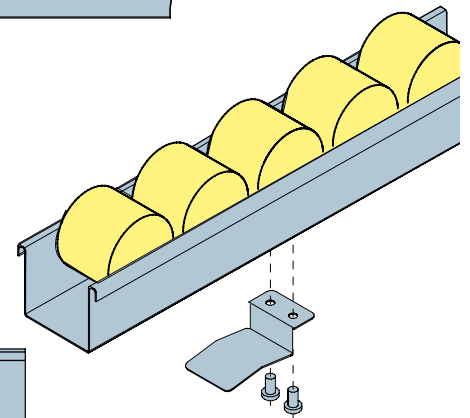
Guide rail **FU**
End plug **ST**



Spread safeguard **SPS**



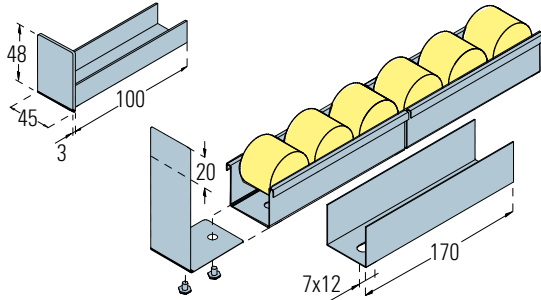
Spring clamp **BFKL - 10**
FKL - 14
FKL - 20



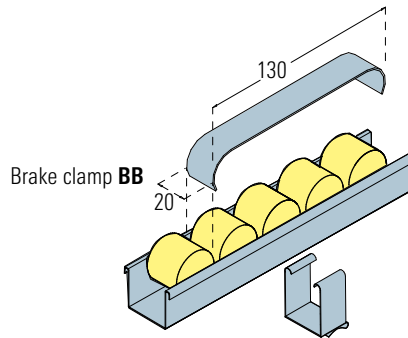
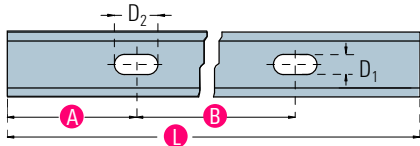
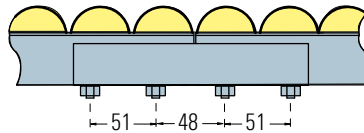
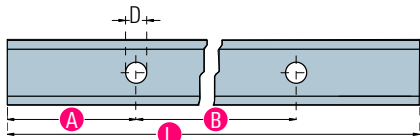
FIX-WHEEL RAILS ^{DBGM}

rationalisation, transportation, automation

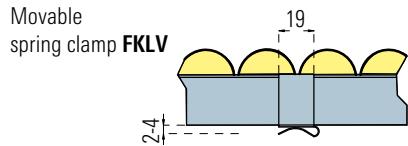
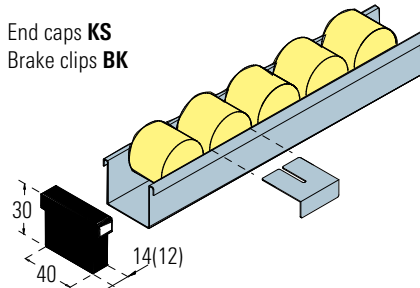
End stop screwed **EF**
End stop riveted **EGF**
Connector screwed **VF**



Round holes **RL - (Diameter)**
Slots **LL - D1 x D2**



End caps **KS**
Brake clips **BK**



Round holes: **RL**

The following diameter can be supplied:
D = 3.2 mm, 4.2 mm, 5.0 mm, 5.5 mm, 6.5 mm,
7.0 mm, 8.5 mm, 10.5 mm, 12.5 mm

Slots: **LL - (D1 x D2)**

The following dimensions can be delivered:
4.2 mm x 10 mm, 7 x 12 mm, 8.5 x 20 mm,
10.5 x 20 mm

End caps: **KS**

The end cap is made of a hard plastic material.

Brake clamp: **BK**

The brake clamp is laterally pushed into the wheels and prevents turning of the wheel.

Brake clamp (only for N and SP wheels): **BB**

Brake clamp from spring steel (only for 33, 50, respectively 100 mm pitches). The brake clamp can be fitted to the wheel rails where required.

Spring clamp: **FKLV**

Movable spring clamps. The wheel rail can be fitted in the spring clamp from the top, in order that the clamp can also be moved in the longitudinal direction of the profile.

ACCESSORIES FIX-WHEEL RAIL

Guide rail FU - L2/L1/A	End plug				
FU - / /	ST				
Spring Clamp	Round holes RL FKL - /A/B/L	Slots LL RL - Ø /A/B/L	End stop riveted	End stop screwed	Connector
BFKL - 10	RL - Ø 3.2/..... /..... /.....	LL - 4.2 x 10/..... /..... /.....	EGF	EF	VF
FKL - 14	RL - Ø 4.2/..... /..... /.....	LL - 7.0 x 12/..... /..... /.....			
FKL - 20	RL - Ø 5.0/..... /..... /.....	LL - 8.5 x 20/..... /..... /.....			
	RL - Ø 5.5/..... /..... /.....	LL - 10.5 x 20/..... /..... /.....			
	RL - Ø 6.5/..... /..... /.....				
	RL - Ø 7.0/..... /..... /.....				
	RL - Ø 8.5/..... /..... /.....				
	RL - Ø 10.5/..... /..... /.....				
	RL - Ø 12.5/..... /..... /.....				
End caps	Brake clip	Brake clamp	Movable spring clamp	Spread safeguard	
KS	BK	BB	FKLV	SPS	

WHEEL RAILS

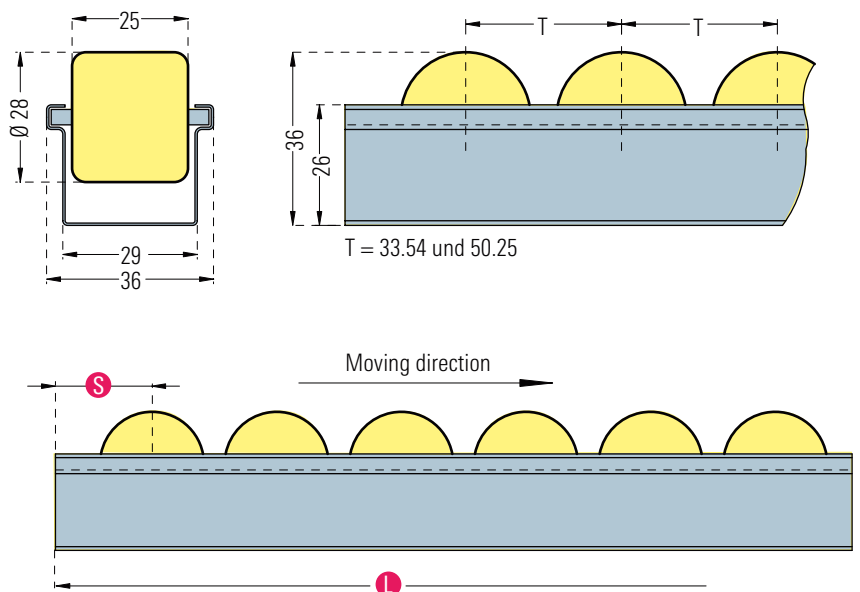
The Autofix-Wheel Rail is compatible with the Fix-Wheel Rail. In a completely automatic production process large volumes are economically produced and therefore a quick delivery can be ensured. The carrying capacity of rail profiles is illustrated by the resisting torque* of 0.5cm³.

The Autofix-Wheel Rail can only be delivered with normal wheels (N). The wheels can only be exchanged partly.

The material of the wheels is polypropylene (PP). The wheels can be applied at a temperature of -30 °C up to +100 °C. The plastic material is not UV-resistant. The standard wheel colour is yellow. The carrying capacity (dynamic)/wheels = 10 kg.

Autofix-Wheel Rails can be delivered in two pitches (33.54 and 50.25 mm). The wheel rails are supplied at any length – as required by the customer (**max. length 5000 mm, min. length 700 mm**). Minimum delivery quantity 250 pieces/length.

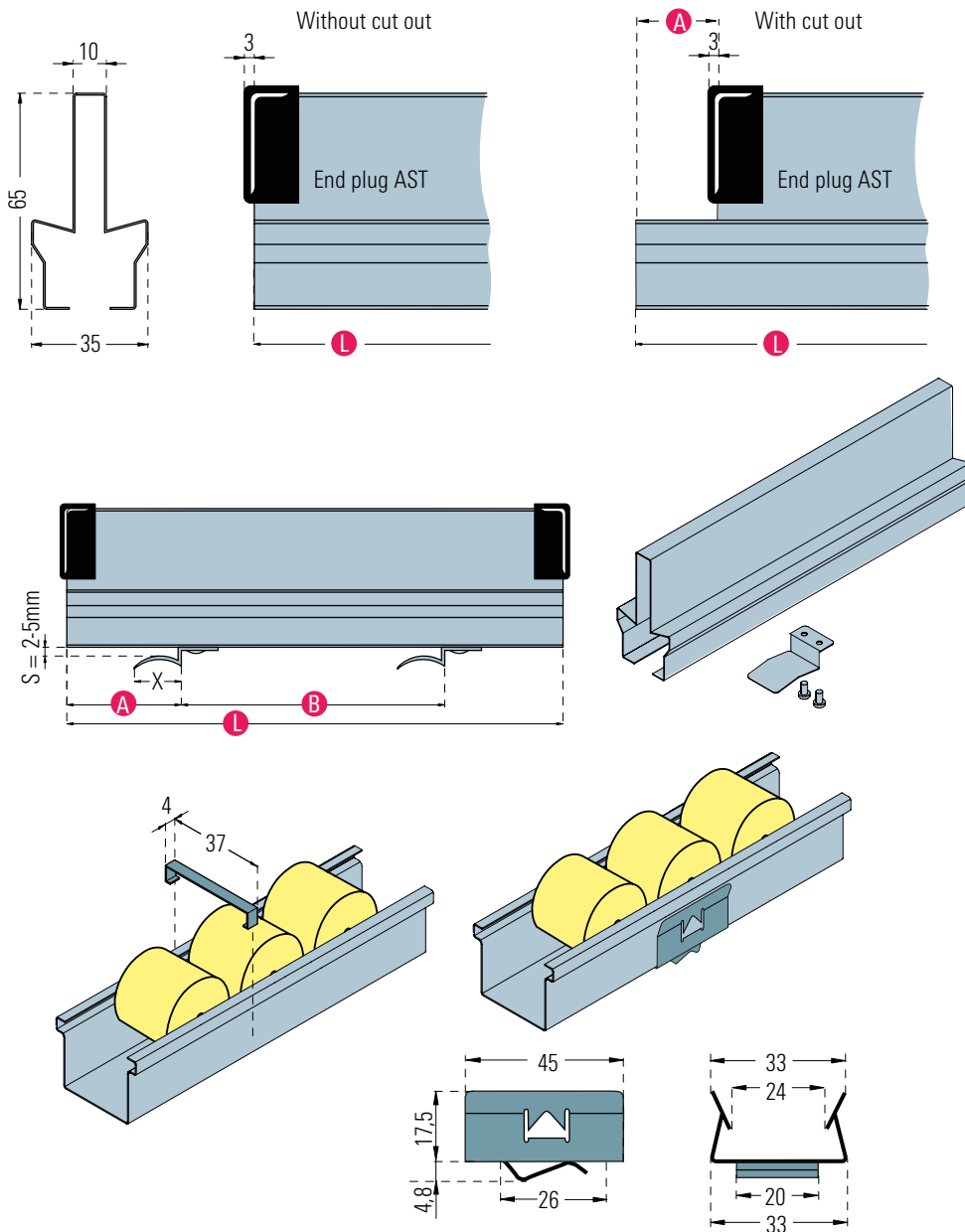
The position of the first wheel S (middle first wheel) can be freely chosen. Most accessories of the Autofix-Wheel Rails are compatible with the Fix-Wheel Rails.



* The resisting torque is a common measure for resistance in engineering mechanics, that a body with the given cross section opposes a bend or torsion.

AUTOFIX-WHEEL RAILS

the alternative for good value



ACCESSORIES

Guide rail: **AFU – Length**

A new guide rail has been developed for the Autofix-Wheel Rail to meet the necessary market requirements.
(max. length = 6500 mm)

Cut out: **A**

The guide rail can also be delivered with a cut out (max. 70 mm).

End plug: **AST**

End plugs for each side are delivered in series with each guide rail.

Spring clamps: **BFKL 10, FKL 14 and FKL 20**

Guide rails can also be delivered with spring clamps BFKL 10, FKL 14 resp. FKL 20 (x = 10 mm resp. 14 mm and 20 mm)
Please state at time of order the measurement A, B and L.

Spread Safeguard: **ASpS**

The spread safeguard made of spring steel avoids a spreading of the Autofix-Wheel Rails with heavy loads.

Movable spring clamp: **AFKLV**

AUTOFIX-WHEEL RAILS				LAYOUT
Design/ type	Pitch	Length /L (min. 700, max. 5000 mm)	First wheel /S	Wheel colour black
AN	33.54	/Schw
AN	50.25	/Schw

ACCESSORIES FIX-WHEEL RAIL				
Guide rail AFU - Length /L	Cut out /A	End plug	Spring clamp FKL - /A/B/L	Spread safeguard
AFU - /	AST	BFKL - 10/...../...../.....	ASpS
			FKL - 14/...../...../.....	
			FKL - 20/...../...../.....	
			AFKLV/...../...../.....	

SCEENSTRIPS

in order picking live storage rack (European Patent)

CLIP SCEENSTRIPS

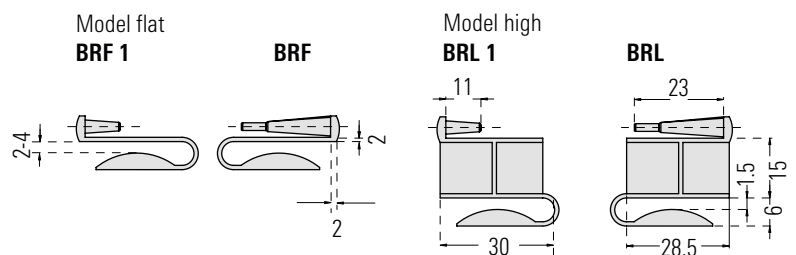
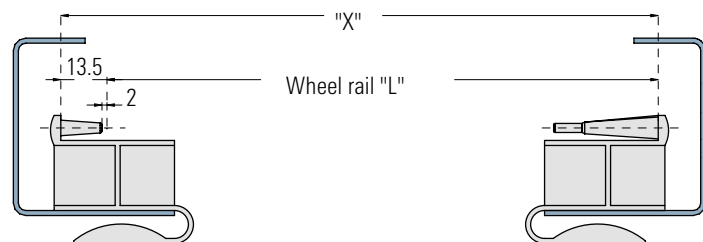
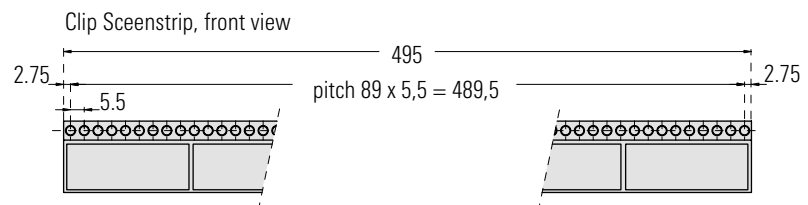
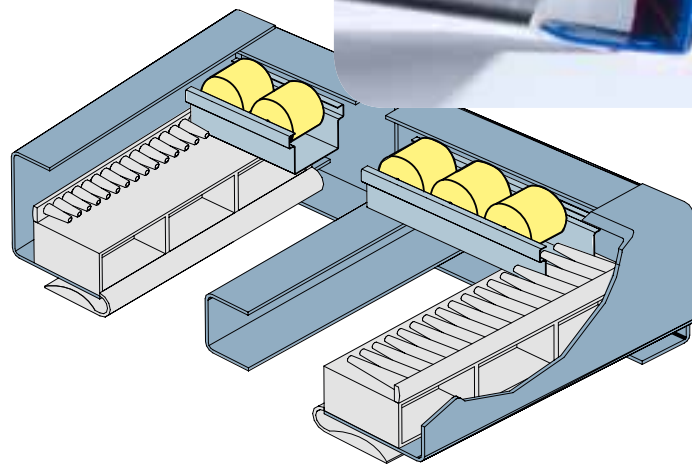
Sceenstrips are clamped into the lower side of the loading and unloading sides of the flow rack frame. They allow for a lateral alteration of the wheel rail and the guide rail within a distance of 5.5 mm. Thus an optimum adjustment of the order picking live storage track to each container or box size is possible and allows for a complete void-free carpet of wheels. Sceenstrips in the loading side have 23 mm long bungs and in the unloading side they are 10 mm long. Sceenstrips are 495 mm long.

Wheel rails can be quickly installed with EUROROLL-Sceenstrips. Firstly the wheel channels are pushed into the bungs of the loading side and are then put down on the Sceenstrips in the unloading side. Finally the wheel rails are pulled in between the bungs of the Sceenstrips in the unloading side. The special construction of the Sceenstrips in the loading side guarantees a tight fit of the wheel rails. Sceenstrips can be used at a temperature range of $-30\text{ }^{\circ}\text{C}$ up to $+90\text{ }^{\circ}\text{C}$.

When using Sceenstrips the distances of the wheel rails can be adjusted at any time, easily and quickly.

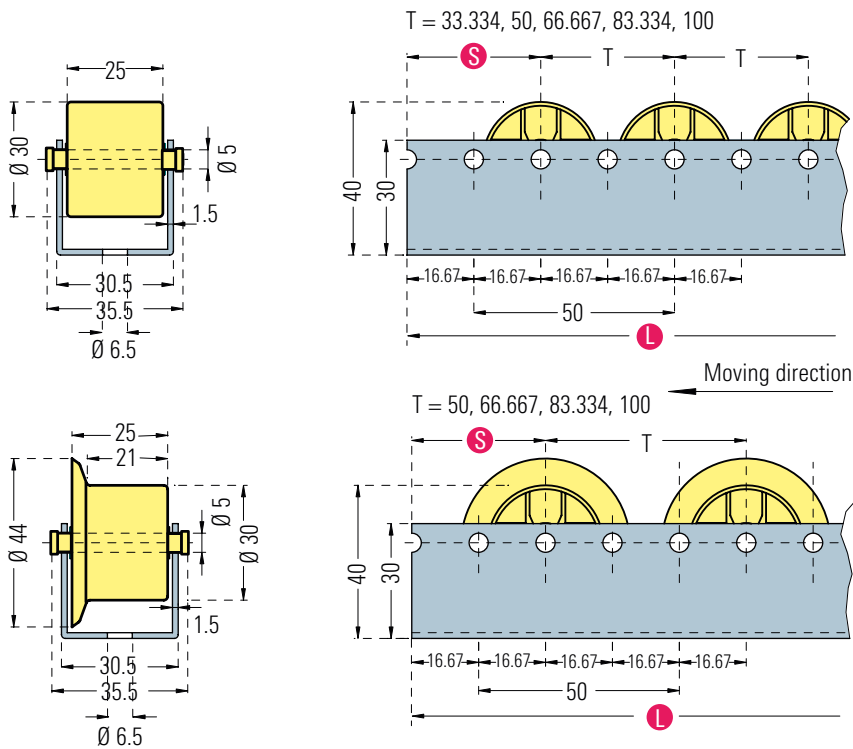
Sceenstrips in design flat **BRF 1** and **BRF**

Sceenstrips in design high **BRL 1** and **BRL**

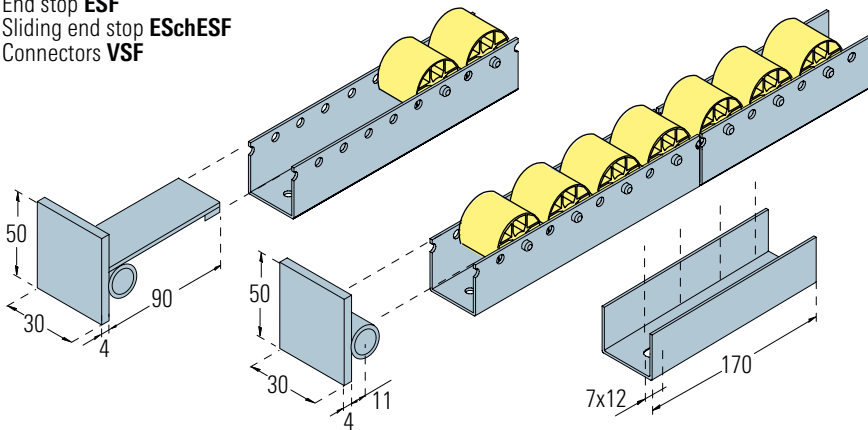


SUPERFIX-WHEEL RAILS

for the transportation of heavy goods
in rough working conditions



End stop **ESF**
Sliding end stop **ESchESF**
Connectors **VSF**



WHEEL RAILS

Superfix-Roller Rails are mainly used in live storage systems for the safe transportation of heavy transport containers and boxes (e.g. automobile suppliers and automobile manufacturers). The wheels are made of a high quality thermo plastic (polypropylene PP), which is impact resistant and break-proof. Furthermore, it is chemically resistant against acids and alkali and does not attract moisture. The wheels can be used at a temperature range of -30°C up to $+100^{\circ}\text{C}$. The wheels are not UV-resistant. The wheels have a steel axis and a maximum carrying capacity of 15 kg and can be delivered as normal (**SFN**) or flanged wheels (**SFSP**). The axes are stamped on both sides. The profile of the wheel's rail is made of Sendzimir-galvanised steel profile with a 1.5 mm thickness. All wheel rails can be delivered at any length as required by the customer (max. length 6500 mm), resisting torque* $W_y = 1.2 \text{ cm}^3$. The standard colour of the wheels is yellow.

We recommend ordering length with a hole pitch of 16.67 mm (standard). For example: The last two figures of the ordered length should be 00, 16, 33, 50, 66, 83. For the installation in live storage racking systems we require a measurement of the first wheel S, which you may indicate in the order.

Normal wheels (incl. steel axis): **SFN**
Flanged wheels (incl. steel axis): **SFSP**
Steel axis individually: **SFA**
Wheel colour black: **/Schw**

ACCESSORIES

End stop: **ESF**
Sliding end stop: **ESCHESF**
Connectors: **VSF**
The connectors consist of a U-shaped profile, which is mounted with 4 screws underneath the wheel rail.

SUPERFIX-WHEEL RAILS

Design/Type	Pitches	Length / L (max. 6500 mm)	First wheel/S
SFN	33.334, 50, 66.667, 83.334, 100
SFSP	50, 66.667, 83.334, 100

LAYOUT

Single wheels (incl. steel axis)	Steel axis individually	Wheel colour black
SFN	SFA	/Schw
SFSP	SFA	

ACCESSORIES SUPERFIX-WHEEL RAILS

End stop	Sliding end stop	Connectors
ESF	ESchESF	VSF

Order Example: **SFN – 50/4500/S = 40**

Superfix-Wheel Rail, pitch 50 mm, rail length 4500 mm, defined beginning of first wheel 40 mm

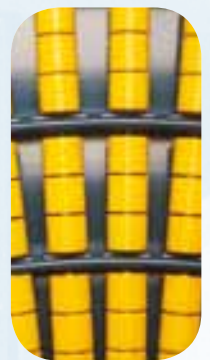
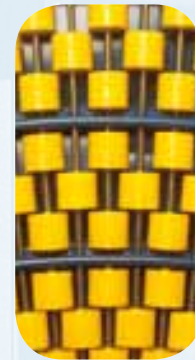
* The resisting torque is a common measure for resistance in engineering mechanics, that a body with the given cross section opposes a bend or torsion.



POSSIBILITIES OF APPLICATION

Transquick-Straight Wheel Sections and Bends are mainly used in the field, where goods are sorted, packed or commissioned. The advantage of this new construction is that due to the small wheel pitch not only small size packages, but also sensitive goods such as magazines, cartons, boxes, containers and shrink wrapped packages can be easily conveyed. A special construction can be delivered to the food industry which can be cleaned with water. The axes are made out of stainless steel. Transquick-Wheel Conveyors consist of a reinforced moulded plastic base from ABS, in which the high impact-resistant wheels, made out of plastic, are bedded on spring wire steel axes. A stable chassis is obtained due to a composite and sandwich construction with other plastic materials. The anchoring supports for the support rack are also laminated.

The carrying capacity of the wheels is 2 kg.
The loading of the standard design is 60 kg/m.
The Standard wheel colour is yellow.

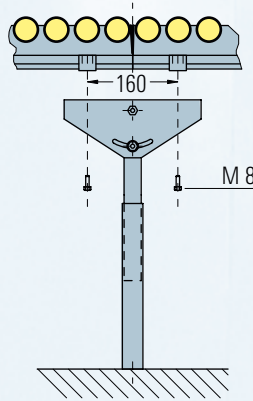
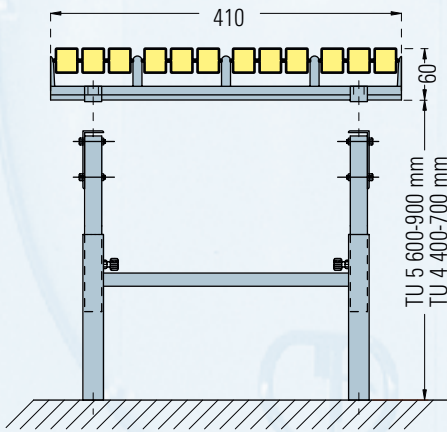


The following details are necessary for ordering:

1. Right or left hand bend
2. Degree of bend (e.g. 180 °)
3. Declination (e.g. 880 mm loading height, 720 mm discharge height)
4. Connections on both sides (e.g. Transquick-wheel conveyors)
5. Number of stands
6. End stop required
7. The axes of the wheel rails are made of stainless steel for use in wet conditions i.e. in the food industry. Please state when ordering

TRANSQUICK^{DBP}

straight sections and bends



STRAIGHT SECTIONS/BENDS

Stand with connector
H 600 – 900 mm: **TU 5 V**

Stand with connector
H 400 – 700 mm: **TU 4 V**

End stand
H 600 – 900 mm: **TU 5 E**

End stand
H 400 – 700 mm: **TU 4 E**

Flat bend 45 °: **TK 45**

Flat bend 45 ° with staggered wheel pattern:
TK 45 V

Left hand bend 45 °: **TK NL 45**

Left hand bend 45 °, with staggered wheel pattern:
TK NL 45 V

Right hand bend 45 °: **TK NR 45**

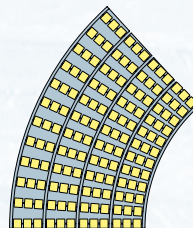
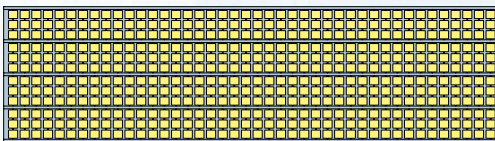
Right hand bend 45 ° with staggered wheel pattern:
TK NR 45 V

With left or right hand bends 45 ° the fall is 50 mm, unless otherwise stated

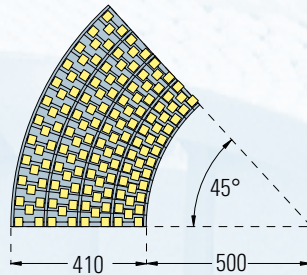
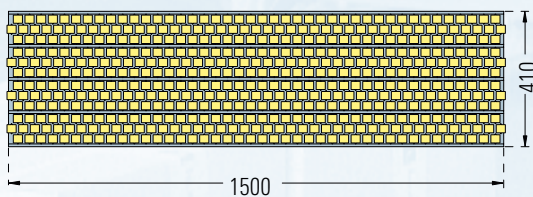
Wheel section, 1500 mm long 410 mm wide:
TG 1500

Wheel section, 1500 mm long, 410 mm wide, staggered wheel pattern: **TG 1500 V**

Wheel conveyor or bend with normal wheel pattern



Wheel conveyor or bend with staggered wheel pattern



LAYOUT

Bends and straight sections can be delivered with stainless steel axes: **/V2 A**

End stop: **TE**

Wheel colour black: **/Schw**

TRANSQUICK-STRAIGHT SECTIONS AND BENDS

LAYOUT

Wheel conveyor line-up	Bends type/line-up	Stand with connector	End stand	End stop single	Wheels with stainless steel axis	Wheel colour black
TG 1500	TK 45	TU 5 V bzw. TU4 V	TU 5 E bzw. TU 4 E	TE	/V2 A	/Schw
	TK NL 45	TU 5 V bzw. TU4 V	TU 5 E bzw. TU 4 E	TE	/V2 A	/Schw
	TK NR 45	TU 5 V bzw. TU4 V	TU 5 E bzw. TU 4 E	TE	/V2 A	/Schw
TG 1500 V	TK 45 V	TU 5 V bzw. TU4 V	TU 5 E bzw. TU 4 E	TE	/V2 A	/Schw
	TK NL 45 V	TU 5 V bzw. TU4 V	TU 5 E bzw. TU 4 E	TE	/V2 A	/Schw
	TK NR 45 V	TU 5 V bzw. TU4 V	TU 5 E bzw. TU 4 E	TE	/V2 A	/Schw

FIX-COMMISSIONING WHEEL CONVEYORS

for storage, production and packaging systems

WHEEL CONVEYORS

It is more cost effective to manufacture straight conveyors of unlimited length with Fix-Wheel Channels. EUROROLL can offer these in widths similar to Transquick-straight sections and bends. The advantage being that you can determine the length of the conveyor to the millimetre. All Transquick parts can be used with a standard width of 400 mm. A further advantage is the ability to vary the width. Special widths in all dimensions and even commissioning tables with a depth of 3 m and a width of 30 mm, for example, can be produced to your specification.

Order Example: FIXKO 10 – Length L

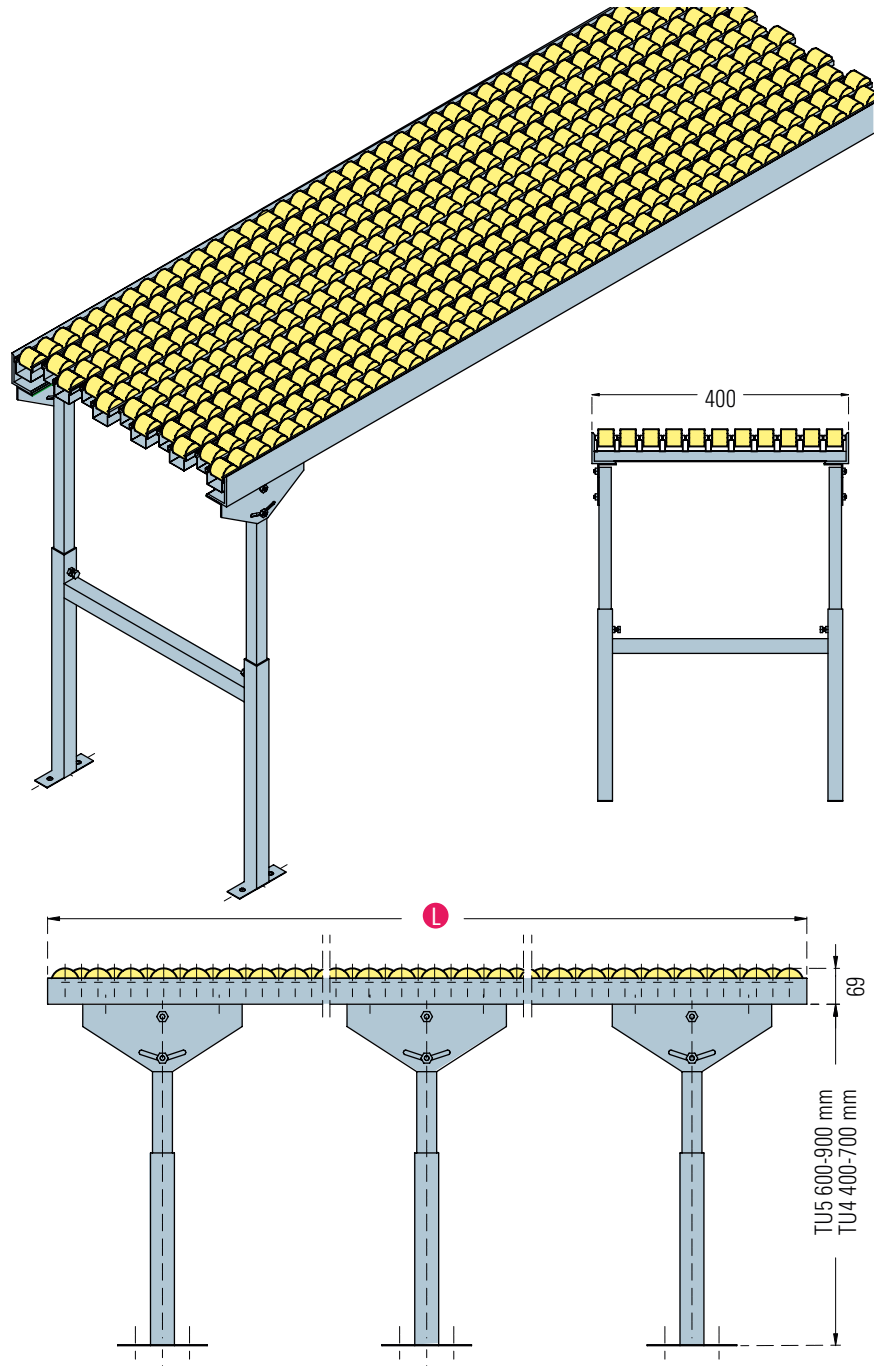
Fix-Commissioning Wheel conveyor 400 mm wide, max. 6000 mm long, equipped with 10 wheel channels

Supporting rack for conveyor width 400 mm:

H = 600 – 900 mm: **TU 5 V**

H = 400 – 700 mm: **TU 4 V**

The supporting rack can also be delivered in other lengths and as a connector of the individual wheel section elements. The standard width of the Fix-Wheel Conveyor is 400 mm. **Other widths can be supplied as required.**



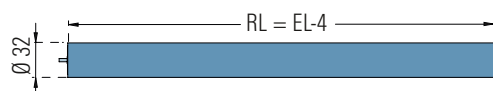
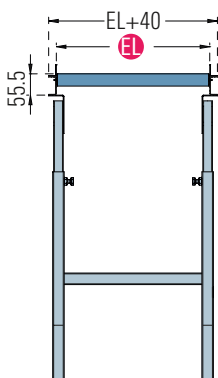
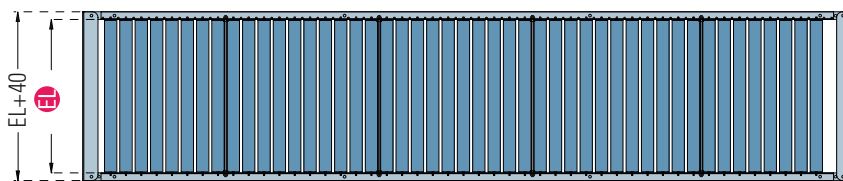
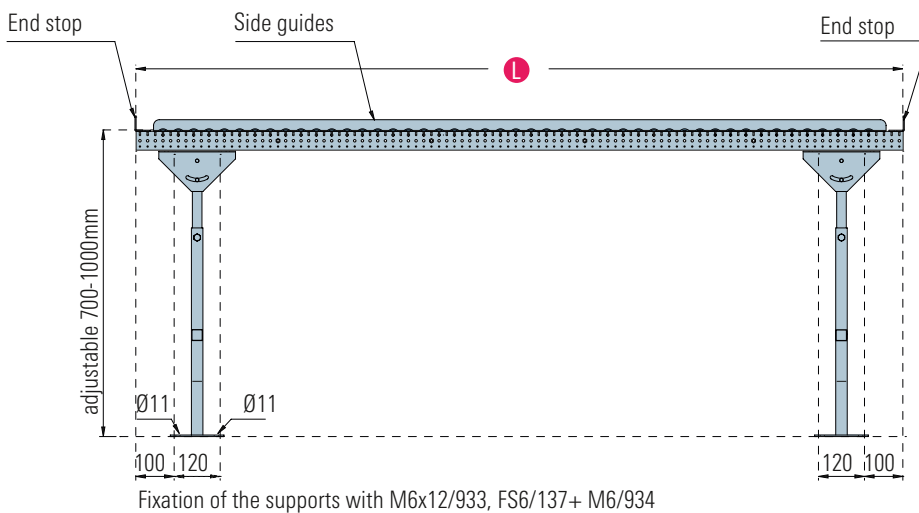
ACCESSORIES

End stop at end of conveyor: **TE**

FIX-COMMISSIONING WHEEL CONVEYORS			ACCESSORIES
Type	Length /L (max. 6000 mm)	Stand connector	End stop
FIXKO 10	TU 5 V resp. TU 4V	TE

TRANSFIX-LIGHT WEIGHT ROLLER CONVEYORS

for storage, consignment and packaging



ROLLER CONVEYORS

Transfix is the economical light weight roller conveyor from EUROROLL. This closes the gap between the wheel rails from of the **FIX**-Series and the pallet roller tracks from of the **NR**-Line. The roller conveyor is ideal for the transportation of cardboard boxes, plastic containers and bottle crates. The robust "Transfix" is made in the usual EUROROLL-quality and is suitable for standard surrounding temperatures (0 °C – 40 °C). The carrying rollers are made of plastic (hard-PVC), diameter D = 32 mm, carrying capacity 18 kg/roller (statical). A 3 mm steel axis also resists rough conditions. The following roller pitches are deliverable from of 40, 60, 80 until 100 mm (further pitches upon request).

The usable clamping length (EL-measure) is available from of 300 – 600 mm (special fitting dimensions are available upon request). The Sendzimir-galvanised U-shaped profile (U-20/50/20x2) is the corresponding frame with the solid basic construction of Transfix. Equipped with a roller protection guide and with end stop for live storage installation, or with supports for the "Stand-alone-version". Transfix can be used for all-purposes.

End stop: **EATF**

Side guides: **SFTF** (angle 30/20x2 mm, 23.5 mm above wheel top)

Order Example: TF-60/EL500/2500/EATF

Transfix roller pitch 60 mm, EL = 500, Length: 2500 mm with end stop

TRANSFIX – LIGHT WEIGHT ROLLER CONVEYORS

Type	Wheel pitch	Clamping length /EL	Length /L (max. 6000 mm)	Single roller with steel axis TFE/
TF32	40, 60, 80, 100	400, 450, 500, 550, 600	400, 450, 500, 550, 600

ACCESSORIES

End stop	Side guides
EATF	SFTF



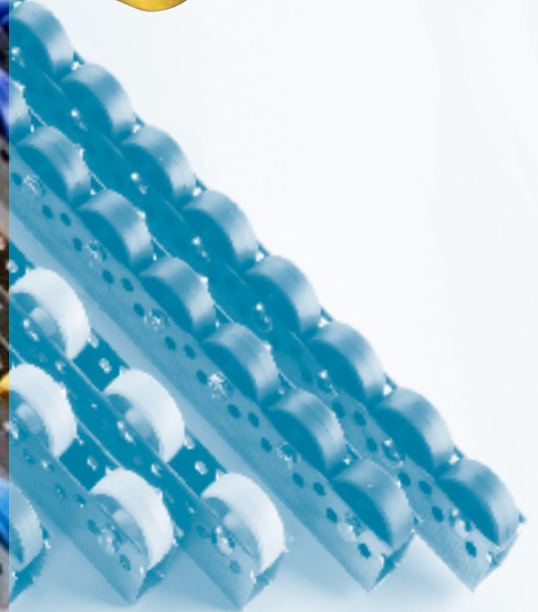
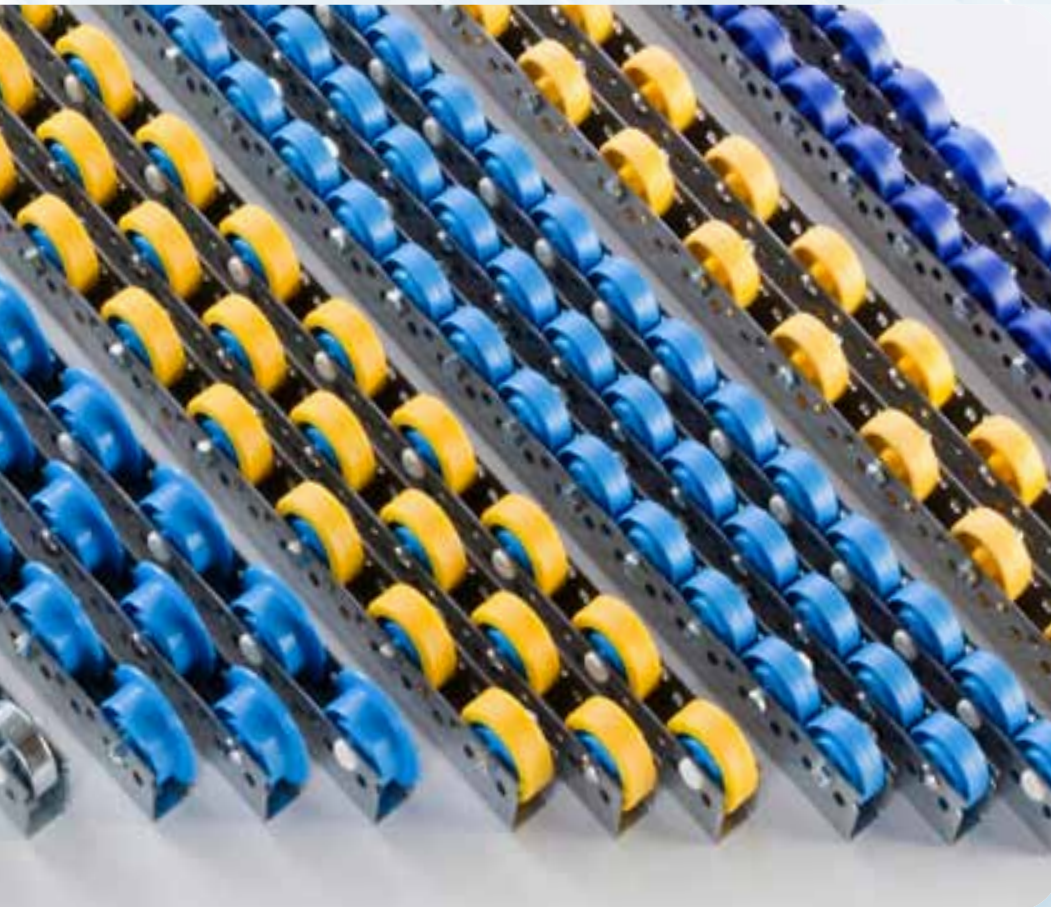
The Universal Roller Tracks consist of a Sendzimir-galvanised steel profile at a gauge of 2 mm thickness. The profile has 2 sets of lateral perforations at different heights at a pitch of 25 mm, the base is also punched with holes at a 25 mm pitch. The diameter of the holes is 8.1 mm.



UNIVERSAL-ROLLER TRACKS^{DBGM}

universal for conveyor technique and

live storage systems



The construction of the track makes it possible to fit 48 mm diameter wheels with special screws, hollow rivets or with screws M 8 in pitches of 50 mm, 75 mm, 100 mm etc. Several wheels can be fitted next to each other in one, two, three or more channels. The wheels can also be staggered and various different combinations are possible. Plastic wheels with or without flanges have a carrying capacity of 10 kg. Steel rollers with or without flanges have a carrying capacity of 20 kg. The load of a roller track is made up by the resisting torque* of 2.2 cm³.

POSSIBILITIES OF APPLICATION

Universal Roller Tracks are used in all areas of material handling. Such as for:

- Live storage tracks
- Guide rails, diverters and conveyor elements
- Connections between two work stations
- Packaging machines
- Guides for drive belts

* The resisting torque is a common measure for resistance in engineering mechanics, that a body with the given cross section opposes a bend or torsion.

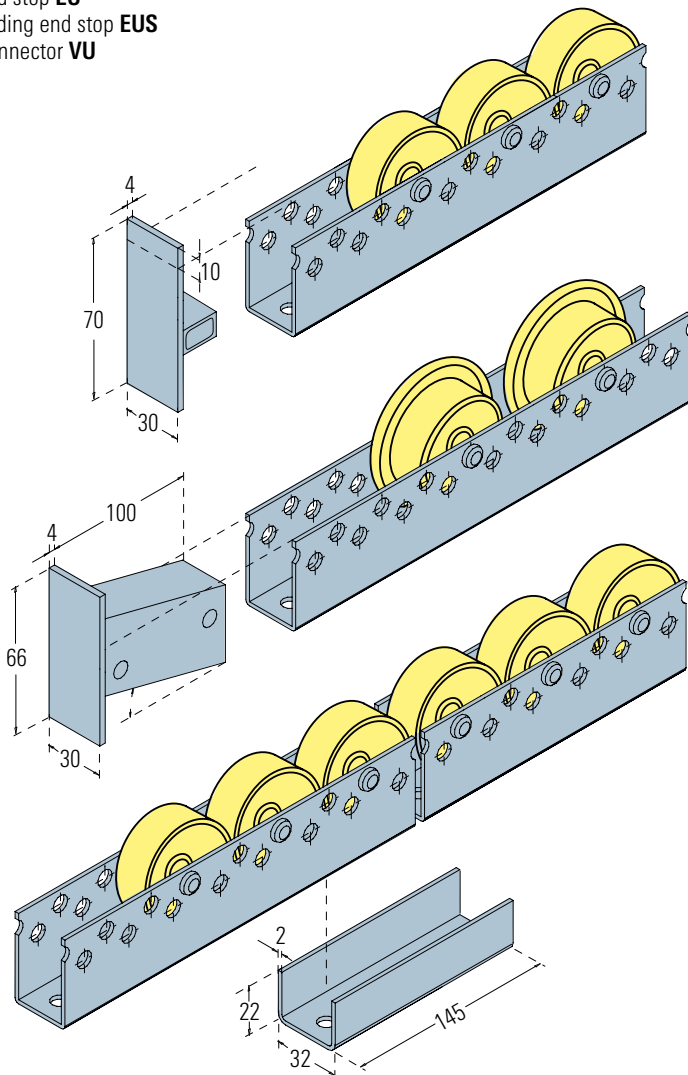
UNIVERSAL-ROLLER TRACKS ^{DBGM}

for storage, production and

packing systems



End stop **EU**
Sliding end stop **EUS**
Connector **VU**



Special plastic screws: **VS 26**

The wheels NR10, NR20, SR10 and SR21 can be fitted with special plastic screws, if required.

Steel screws: **M 8 x 35**

(NR10/20, SR10/21), M8 x 40 (NRGH, NRGW)
The wheels NRG are fitted with galvanised steel screws. All wheels can be individually replaced.

ACCESSORIES

End stop: **EU**

Sliding end stop: **EUS**

Connector (incl. screws): **VU**

All wheels, screws etc. can be delivered individually.

Ordering Advice:

When ordering please indicate the required type of wheel, wheel pitch and exact length (length should be divisible by 25 mm).

Order example:

SR21 – 100/3000

Universal-Roller Track with flanged steel wheels, 100 mm pitch, 3000 mm total length

NR20 – 50/3775

Universal-Roller Track with steel wheels, 50 mm pitch, 3775 mm total length of the track

SR10 – 100/3000

Universal-Roller Track with plastic wheels with flanged wheels, 100 mm pitch, 3000 mm total length of the track

UNIVERSAL-ROLLER TRACKS

Roller typ	Pitch	Length /L (max. 6167 mm)
NR 10	50, 75, 100, 125
NR 20	50, 75, 100, 125
SR 10	75, 100, 125, 150
SR 21	75, 100, 125, 150
NRGH	50, 75, 100, 125
NRGW	75, 100, 125

LAYOUT

Shock absorber ring* PUR	Wheels fitted with hollow rivets	Wheels fitted with special plastic screws	Wheels fitted with steel screws
/PUR	/HN	/VS 26	/M 8 x35
/PUR	/HN	/VS 26	/M 8 x35
-	/HN	/VS 26	/M 8 x35
-	/HN	/VS 26	/M 8 x35
-	/HN		/M 8 x40
-	/HN		/M 8 x40

* Shock absorber ring PUR from of pitch 75 mm possible

ACCESSORIES

End stop	Sliding end stop	Connector (incl. screws)
EU	EUS	VU

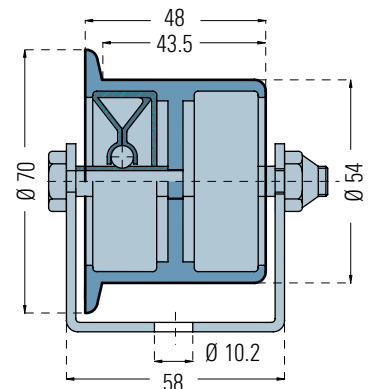
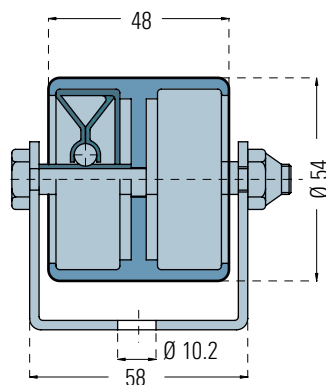
ROLLER TRACKS

The Colli-Roller Tracks combine many advantages. They are for many logistic applications the one and only solution. Ball bearing rollers are fitted in an exchangeable way in a Sendzimir-galvanised U-shaped profile 50 x 58 x 50 x 2.5 mm, carrying capacity 40 kg.

The 54 mm diameter roller can be supplied as normal roller or as flanged roller. Both roller types can be fitted by turns in the tracks for example each fourth roller can be exchanged by a flanged roller. The roller cover is made of polypropylene plastic, in blue. The carrying capacity of a roller track is made up by the resisting torque* of 3.0 cm³. The Colli-Roller Tracks compliment the Universal-Roller Tracks in their application due to the wide rolling surface. The field of application mentioned under Universal-Roller Tracks, also refers to the Colli-Roller Tracks.



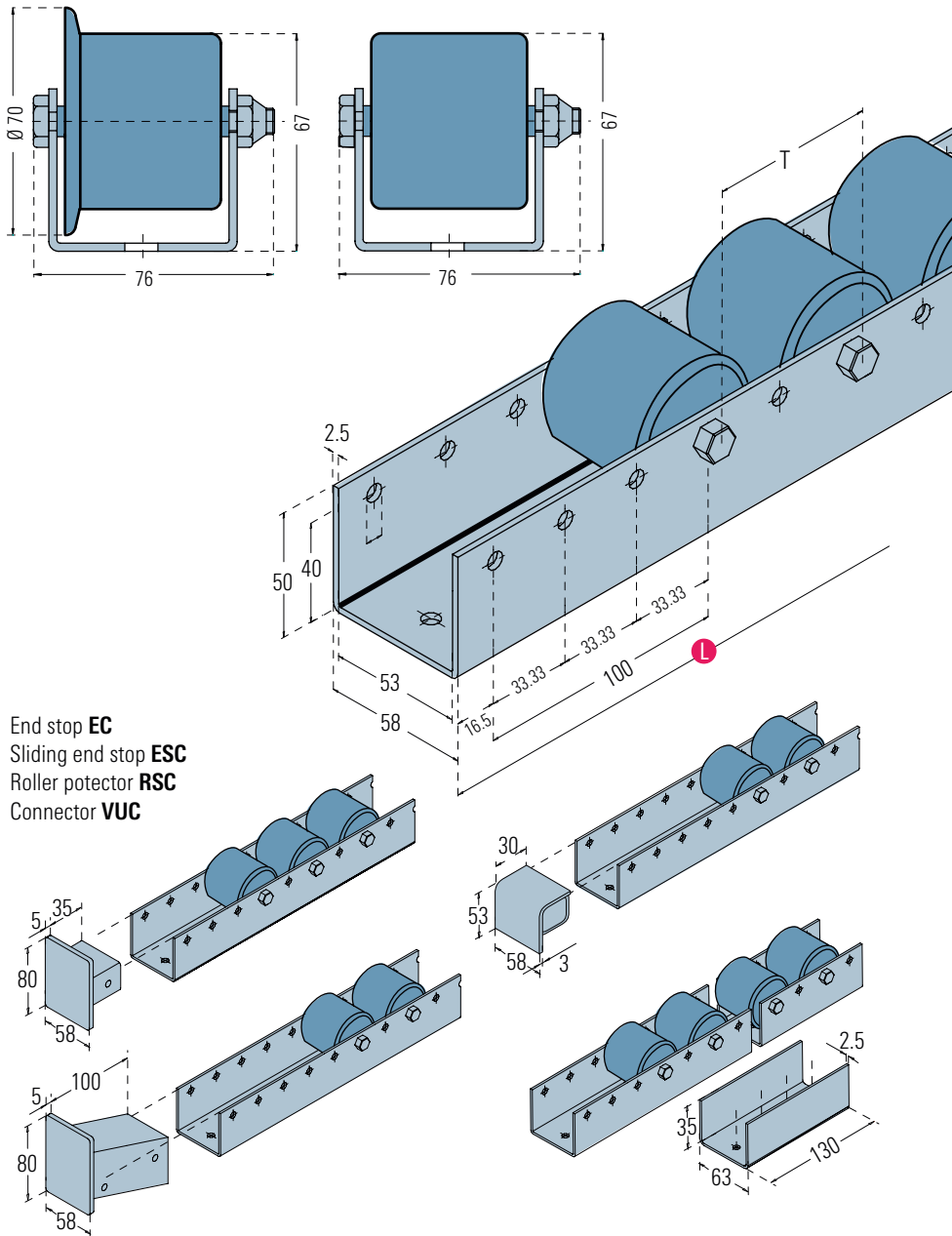
Profile without rollers: **U58**
 Normal rollers dia. 54: **NR 40**
 Flanged rollers dia. 70/54: **SR40**
 Axis without lock nut: **M 8 x 70**



* The resisting torque is a common measure for resistance in engineering mechanics, that a body with the given cross section opposes a bend or torsion.

COLLI-ROLLER TRACKS

the progressive integration in storage and conveying technique for middle weight loads



The standard length of the Colli-Roller Tracks is 6033 mm. As a rule, we can deliver each required length. However, please state a length where the last two figures are either 00, 33 or 66 (e.g. 4333 or 4300 or 4366 or 4400 mm).

The following roller pitches (T) can be supplied:
 Normal rollers: 66.667, 100, 133.334, 166.667, 200
 Flanged rollers: 100, 133.334, 166.667, 200
 Alternatively flanged rollers and normal rollers 66.667, 100, 133.334, 166.667, 200

Order Example:
NR 40-66/4400

Colli-Roller Track with normal rollers, 66.667 mm roller pitch, 4400 mm length of the roller

SR 40-100/2000

Colli-Roller Track with flanged rollers, 100 mm roller pitch, 2000 mm long

NR/SR 40-66/3333

Colli Roller Track alternately with normal and flanged rollers, 66.667 mm roller pitch, 3333 mm long

ACCESSORIES

- End stop: **EC**
- Sliding end stop: **ESC**
- Roller protector: **RSC**
- Connector (incl. screws): **VUC**

COLLI-ROLLER TRACKS/SINGLE COMPONENTS

Design/type	Pitch	Length /L (max. 6033 mm)	Track without rollers	Single roller NR/SR	Axis with lock nut
NR 40	66, 100, 133, 166, 200	U58	NR 40	M8 x 70
SR 40	100, 133, 166, 200	U58	SR 40	M8 x 70
NR/SR 40	66, 100, 133, 166, 200	U58		M8 x 70

ACCESSORIES COLLI-ROLLER TRACKS

End stop	Sliding end stop	Roller protector	Connector
EC	ESC	RSC	VUC

POSSIBILITIES OF APPLICATION

Multi-Directional Wheels are used everywhere where flat bundles, slave boards packages, boxes or production parts have to be turned, sorted, diverted, fed or commissioned.

The dimensions and the weight of the good, to be conveyed, determines the wheel and the track pitch.

Table surfaces of any size can be equipped with Multi-Directional Wheels. However, the following individual package weights should not be exceeded.

Dia. 50 mm 100 kg

Dia. 60 mm 200 kg

Dia. 80 mm 400 kg

(Carrying capacity/m at most narrow pitch)

The Multi-Directional Wheels are fitted in a Sendzimir-galvanised profile. Each wheel can be individually exchanged. The wheels are made of polyamide plastic and can be used at a temperature range of -30°C and $+90^{\circ}\text{C}$.

Multi-Directional Wheels always have to be installed in the main rolling direction, as the rolling resistance of the alongside conveying direction is a little greater. If equally good discharge values are required to all directions, the wheels need to be displaced by 90° . For this kind of application, we can also offer the optimum solution, if required.



Multi-Directional Wheels for sensitive goods:

ASRS 60 SOFT

The Multi-Directional Wheels ASRS 60 SOFT are used where flat bundles have to be turned, sorted or diverted. The wheel is made of soft plastic (PUR*) and is especially suitable for the transport of goods with a sensitive surface such as glass, mirrors or high gloss coated products. Carrying capacity: 20 kg/wheel, temperature range: -30°C up to $+80^{\circ}\text{C}$.

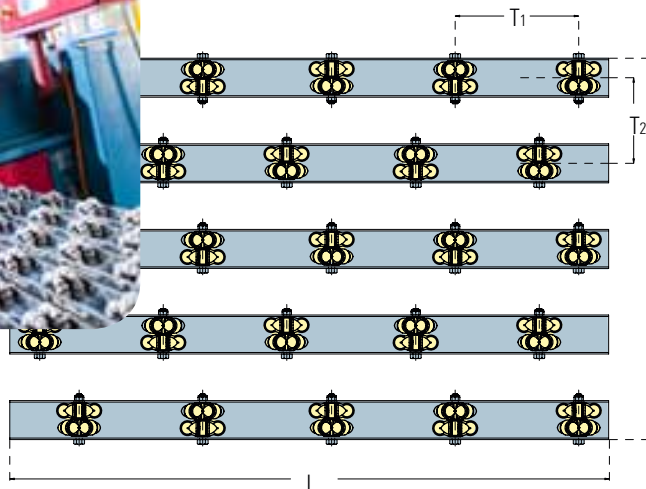
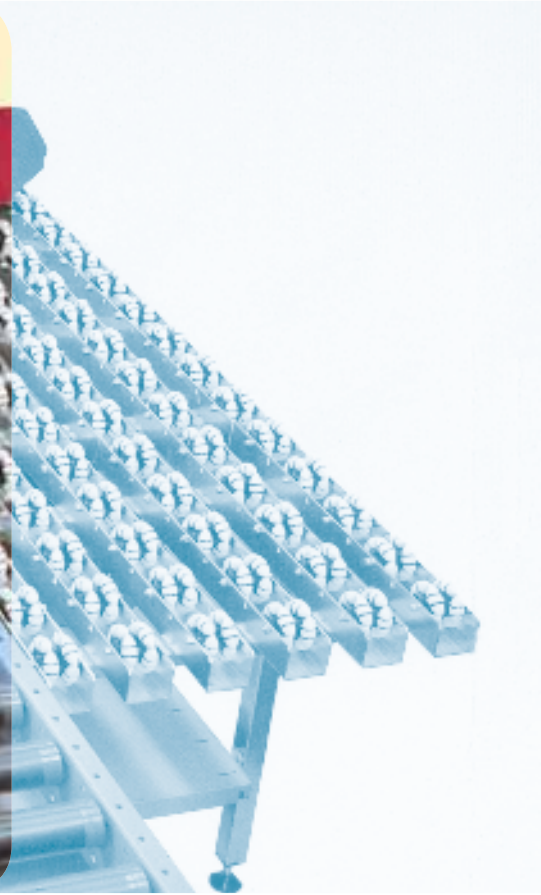


* PUR = Polyurethane

MULTI-DIRECTIONAL WHEELS MULTI-DIRECTIONAL ROLLER TRACKS



to manipulate all flat goods in each direction



Multi-Directional Wheel Tables

Multi-Directional Wheel Tables of any size and dimension can be made with wheel tracks. Upon request, we can deliver a complete table with stands, either of a fixed height or with an adjustable height, with inclination or shiftable supports and guide rollers.

To be able to submit a quotation the following information is required:
 Table height, table dimensions $L \times W$ (length x width), stand design, roller track design, pitch of the Multi-Directional Rollers $T_1 \times T_2$ and the dimension, form, weight and material of the flat good to be conveyed.

MULTI-DIRECTIONAL WHEEL TRACKS

Universal-Multi-Directional Wheel Track
for light loads: **AR 10**

This wheel track is identical to the Universal-Roller Track. All accessories from this range can be used. The Multi-Directional Wheel track is used for light loads. The resisting torque* is 2.2 cm³. The carrying capacity per wheel is 5 kg.

Order example: AR 10 – 75 / 2300/0

Multi-Directional Wheel AR 10, 75 mm pitch, 2300 mm long, fitted in upper row of holes

Wheels fitted in upper row of holes: **/0**

Wheels fitted in lower row of holes: **/U**

Single wheel: **AR 10**

Multi-Directional Wheel Track
for light loads: **ASRS 50**

The carrying capacity per wheel is 10 kg. This track is suitable for a load with a weight of maximum 100 kg. The wheels need to be fitted closely to each other in both directions, so that the goods can easily be pushed off sideways or turned. If necessary, the according power will be identified by carrying out trials. The resisting torque* of the wheel track is 2.2 cm³.

Order example: ASRS 50 – 100 / 2566

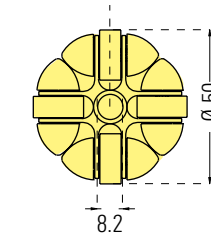
Multi-Directional Wheel ASRS 50, 100 mm pitch, 2566 mm long

Single wheel: **ASR 50**

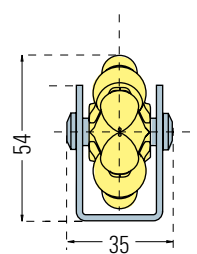
End stop: **EA 50**

Order lengths for Multi-Directional Wheel Tracks ASRS 50, ASRS 60, ASRS 80. The standard length of the Multi-Directional profile is maximum 6033 mm. Individual lengths should be ordered in a way, that the last two figures of the ordered length are 00, 33 or 66 (e.g. 4333 or 4300 or 4366 or 4400 mm).

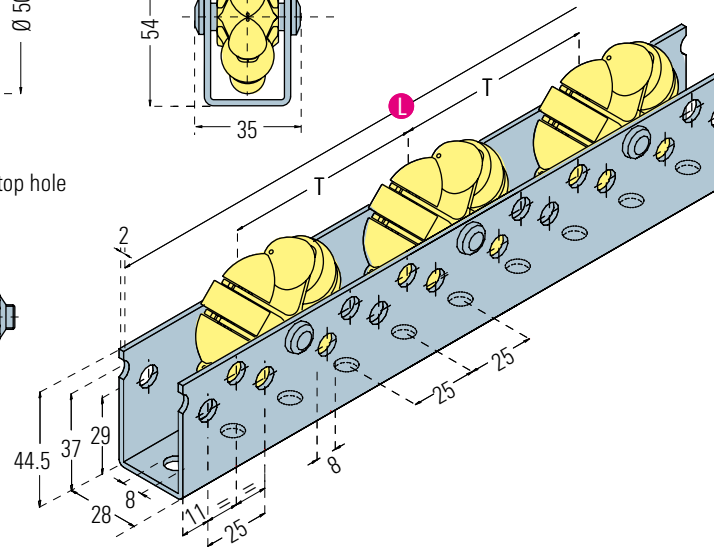
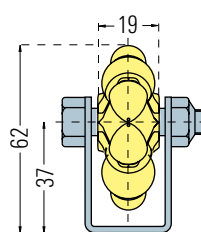
Universal-Multi-Directional
Wheel Track **AR 10**



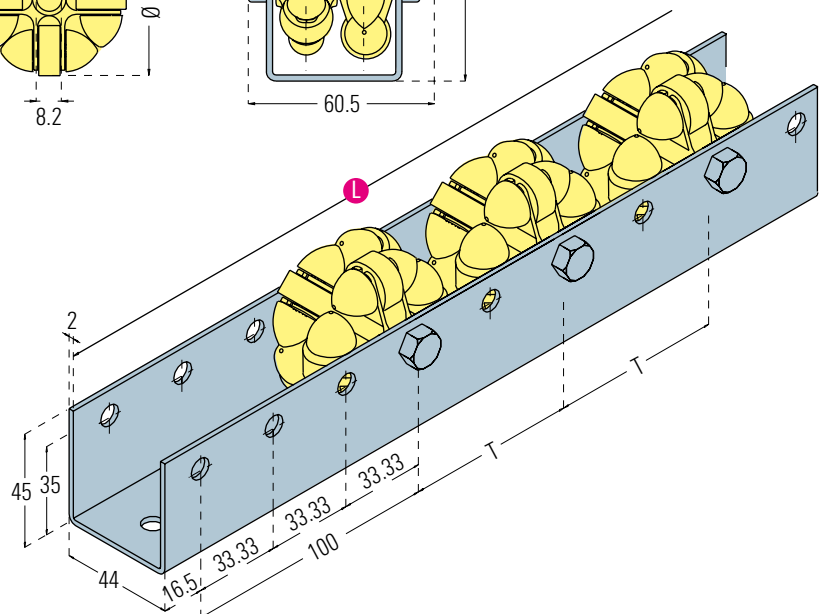
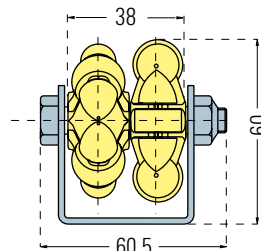
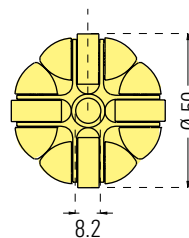
Wheel mounted in bottom hole



Wheel mounted in top hole



Universal-Multi-Directional
Wheel Track **ASRS 50**

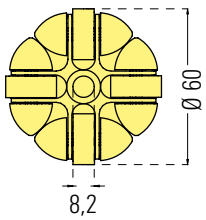


* The resisting torque is a common measure for resistance in engineering mechanics, that a body with the given cross section opposes a bend or torsion.

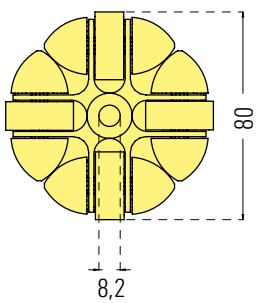
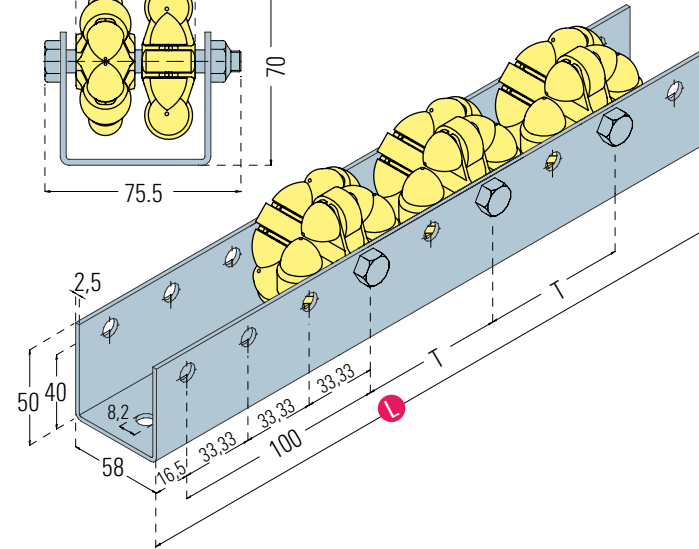
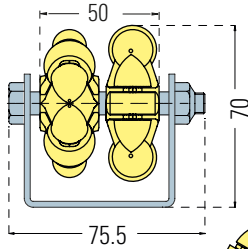
MULTI-DIRECTIONAL WHEELS MULTI-DIRECTIONAL WHEEL TRACKS



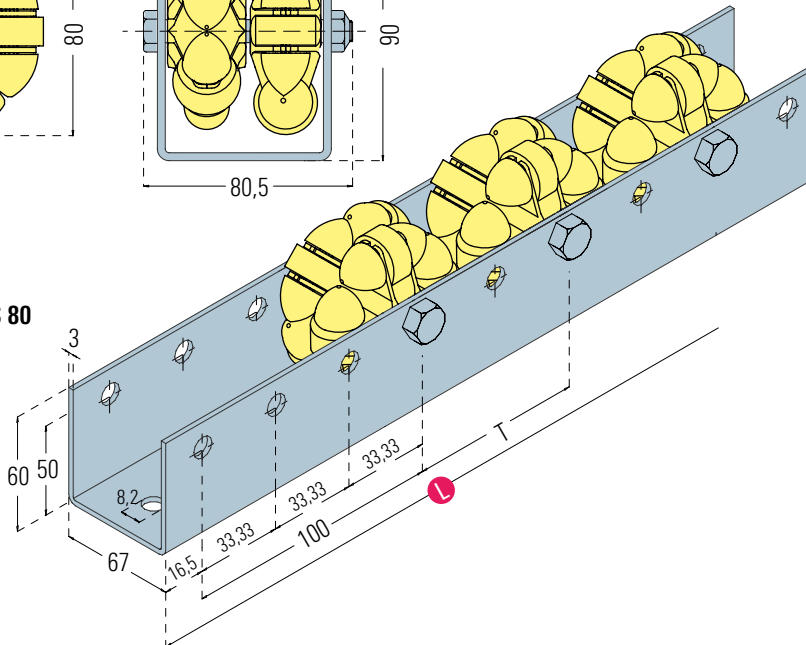
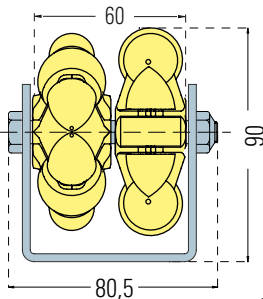
humanise the workplace



Multi-Directional Wheel Track **ASRS 60**



Multi-Directional Wheel Track **ASRS 80**



Multi-Directional Wheel Tracks for average loads: **ASR 60**

The carrying capacity per wheel is 20 kg. This track is suitable for a load with a weight of maximum 200 kg. The wheels need to be fitted closely to each other in both directions, so that the goods can easily be pushed off sideways or turned. If necessary, the according power will be identified by carrying out trials. The resisting torque* of the wheel track is 3 cm³.

Single wheel: **ASR 60**

Single wheel: **ASR 60 SOFT**

End stop: **EA 60**

Order example: **ASRS 60 SOFT – 100 / 4333**

Multi-Directional Wheel ASRS 60 SOFT,
100 mm pitch, 4300 mm long

Multi-Directional Wheel Track for heavy loads: **ASRS 80**

The carrying capacity per wheel is 40 kg. This track is suitable for a load with a weight of maximum 400 kg. The wheels need to be fitted closely to each other in both directions, so that the goods can easily be pushed off sideways or turned. If necessary, the according power will be identified by carrying out trials. The resisting torque* of the wheel track is 5.2 cm³.

Single wheel: **ASR 80**

End stop: **EA 80**

Length of profile:

AR 10 max. 6.167 mm, ASRS 50, ASRS 60
ASRS 60 soft and ARRS 80 max. 6033 mm

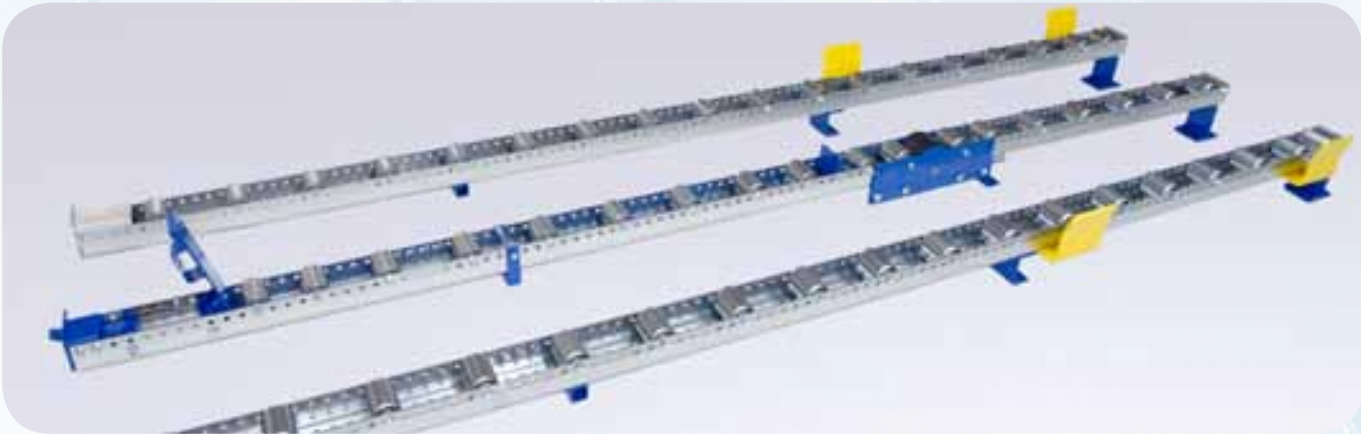
* The resisting torque is a common measure for resistance in engineering mechanics, that a body with the given cross section opposes a bend or torsion.

MULTI-DIRECTIONAL WHEEL TRACKS

Design/type	Pitch	Length /L (max. 6167/6033 mm)	Row of holes /O or /U	Profile without wheels	Single wheel
AR 10	50, 75, 100, 125	U 45/28/45	AR 10
ASRS 50	66.667, 100, 133.334, 166.667	-	U 45/44/45	ASR 50
ASRS 60	66.667, 100, 133.334, 166.667	-	U 50/58/50	ASR 60
ASRS 60 soft	66.667, 100, 133.334, 166.667	-	U 50/58/50	ASR 60 soft
ASRS 80	100, 133.334, 166.667, 200	-	U 60/67/60	ASR 80

ACCESSORIES

End stop	Connector
EU	VU
EA50	AV50
EA60	AV60
EA60	AV60
EA80	AV80



EUROROLL[®] PALLET ROLLER TRACKS

for pallets being conveyed lengthwise and crosswise



Pallets can either be conveyed across or along the battens with EUROROLL-Pallet Roller Tracks. The rollers must have a 52mm pitch, when the pallets are conveyed crosswise. Depending on the weight of the pallet, two or three tracks with a roller pitch of 104-208 mm are used when the pallet is conveyed lengthwise. The EUROROLL-Pallet Roller Track is one of the most economical solutions for pallet cross conveying. It is mainly used for Live Storage Systems and Flow Stores. With reference to pallet transportation lengthwise, EUROROLL recommends roller channels for short and heavy duty conveyors. Longer gravity conveyors are more efficient when they are equipped with continuous rollers.

The advantage of the EUROROLL-Pallet Roller Tracks is the solid construction. The supporting profile is made of 3mm thick galvanized steel of high bending and torsion consistency. The roller is made of bright steel or alternatively galvanized steel, and has a carrying capacity of 150 kg. The ball bearings are maintenance-free and are of high durability. EUROROLL-Pallet Roller Tracks are often fitted in existing pallet racking in order to separate loading and picking faces; this reduces costs and prevents accidents. In conveying technique the EUROROLL-Pallet Roller Track serves as guide rail or connects different working stations in production lines with each other.

ROLLER TRACKS

The roller track consists of a Sendzimir-galvanised U-shaped Profile, 55 mm high and 80 mm wide. These profiles are equipped with rollers, dia. 50 mm or with rollers dia. 48 mm in 52, 78, 104, 130, 156 mm etc. pitches. Two further rows of holes in the base serve for fastening the track to the substructure.

Resisting torque*
Standard design Wy: 4.6 cm³

Torque of inertia**
Standard design ly: 17 cm³

Standard design
Track without rollers: **U 80 - 55**

High design
Track without rollers: **U 80 - 78**

LAYOUT

The EUROROLL-Pallet Roller Track can be equipped with different kind of rollers.

3 normal rollers made of plastic (see Universal Roller Track)
30 kg carrying capacity: **NR 30**

3 normal rollers made of steel (see Universal Roller Track)
60 kg carrying capacity: **NR 60**

Steel roller bright or galvanised with 150 kg Carrying capacity: **NR 100-B** or **NR 100**

Steel roller bright or galvanised with flanged wheels: **SR 100 B** or **SR 100**

Axis with lock nut: **M 8 x 90 A**
To fix the wheels and rollers

Order example:

NR 100/90 B - 156 / 2600

Roller track 78 mm high with dia. 50 mm, bright steel rollers, pitch 156 mm, length: 2600 mm

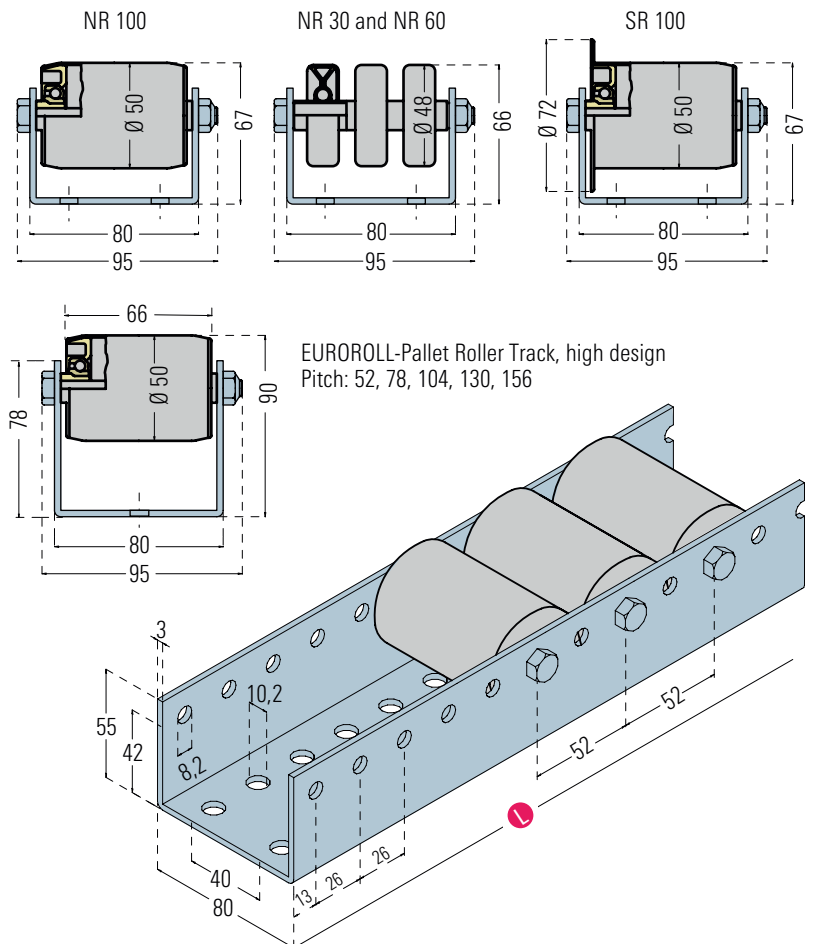
NR 60/66 - 52 / 5980

Roller track 55 mm high with 3 pieces each, dia. 48 mm wheels on one axis, pitch 52 mm, length: 5980 mm

The track can be equipped with flanged wheels e.g. that each 5th roller is a flanged wheel.

* The resisting torque is a common measure for resistance in engineering mechanics, that a body with the given cross section opposes a bend or torsion

** torque of inertia or moment of inertia is a physical variable in mechanism. It indicates the resistance of a rigid body compared to a change of its rotary motion.

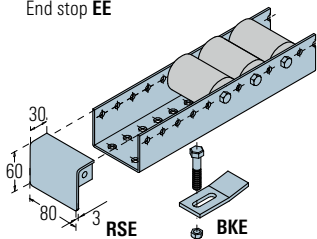


EUROROLL® PALLET ROLLER TRACK

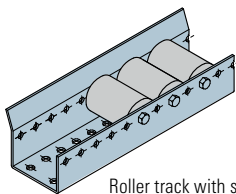
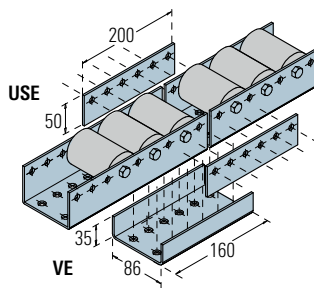
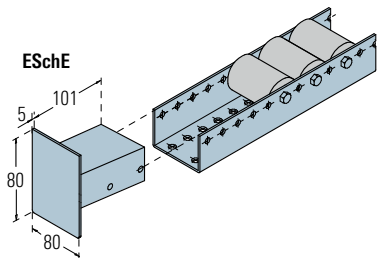
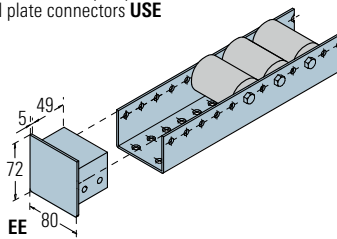


for live storage systems, transportation and conveying

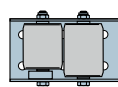
Roller guard **RSE**
Fitting clamp with screw **BKE**
End stop **EE**



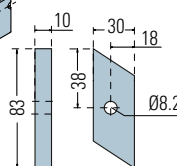
Sliding end stop **ESchE**
Connector as U-shaped profile **VE**
Lateral plate connectors **USE**



Roller track with side guides
NR 30-SF, NR 60-SF, NR 100-SF



Push-back stop **RSSPE**



ACCESSORIES

End stop: **EE**

Sliding end stop: **ESchE**

Roller guard: **RSE**

Connector U-shaped profile 55 mm: **VE**
Connector U-shaped profile 78 mm: **VEH**

Lateral plate connectors (2 pieces): **USE**

Fitting clamp with screw: **BKE**
Fitting clamp with hollow profile: **BKEH**

Push-back stop: **RSSPE**

Dowel fitting construction without dowels for approximately 2500 mm long tracks with 2.25 % decline, floor fitting

Dowel fitting construction 2500 mm: **PDubE1**

Dowel fitting construction without dowel for approximately 3700 mm long tracks
Dowel fitting construction 3700 mm: **PDubE2**

Dowel: **Dub**

Roller tracks (profile 55 mm) with side guides upon request:

NR 30-SF
NR 60-SF
NR 100-SF

Roller tracks with push-back stop upon request: **RSSPE**

EUROROLL-PALLET ROLLER TRACKS

Roller type with profile 55 mm	Roller type with profile 78 mm	Roller type, profile 55 mm, side guides	Pitch	Length /L (max. 6006)
NR 30/66	NR 30/89	NR 30/66-SF	52, 78, 104, 130, 156
NR 60/66	NR 60/89	NR 60/66-SF	52, 78, 104, 130, 156
NR 100/67	NR 100/90	NR 100/67-SF	52, 78, 104, 130, 156
SR 100/67	SR 100/90	-	78, 104, 130, 156

LAYOUT

Profile 55 mm without rollers	Profile 78 mm without rollers	3 Single rollers plastic dia 48	3 Single rollers steel dia 48	1 Single roller steel dia 50	1 Single roller, steel, flanged wheel dia 50	Axis with lock nut
U80-55	U80-78	NR 30	NR 60	NR 100	SR 100	M8 x 90A

ACCESSORIES PALLET ROLLER TRACKS

End stop	Sliding end stop	Roller guard	Connector U-shaped profile	Lateral plate connector	Fitting clamp with screw	Fitting clamp for hollow profile	Dowel fitting set 2500 mm	Dowel fitting set 3700 mm	Dowel
EE	ESchE	RSE	VE	USE	BKE	BKEH	PDubE1	PDubE2	Dub

ROLLER TRACKS

Groovy-Pallet Roller Tracks are used where EUROROLL-Pallet Roller Tracks are too narrow due to their roller length of 66 mm and where a wider rolling surface is required. On 2 or 3 Groovy-Pallet Roller Tracks 800 mm and 1000 mm wide pallets can be conveyed.

Groovy-Pallet Roller Tracks can be used in the same areas as the EUROROLL-Pallet Roller Tracks. The track is made of a Sendzimir-galvanised U-shaped profile. Carrying capacity: 200 kg/track, carrying roller dia. 60 x 2 mm, bright steel or galvanised.

Resisting torque* Standard design

Wy: 6.6 cm³

Torque of inertia** Standard design

Iy: 31.0 cm⁴

Standard design:

Track without wheels: **U 130 – 65**

High profile:

Track without wheels: **U 130 – 75**

Order Example:

NR 2000/80 – 100 / 3333

Roller track 65 mm high, wheel NR 2000 galvanised, pitch 100 mm, length 3333 mm

NR 2000/90 – 166 / 4400

Roller track 75 mm high, wheel NR 2000, bright steel, pitch 166.667 mm, length 4400 mm

LAYOUT

Single wheel galvanised or bright:

NR 2000 or **NR 2000 B**

Axis with lock nut: **M 10 x 140 + Mu**

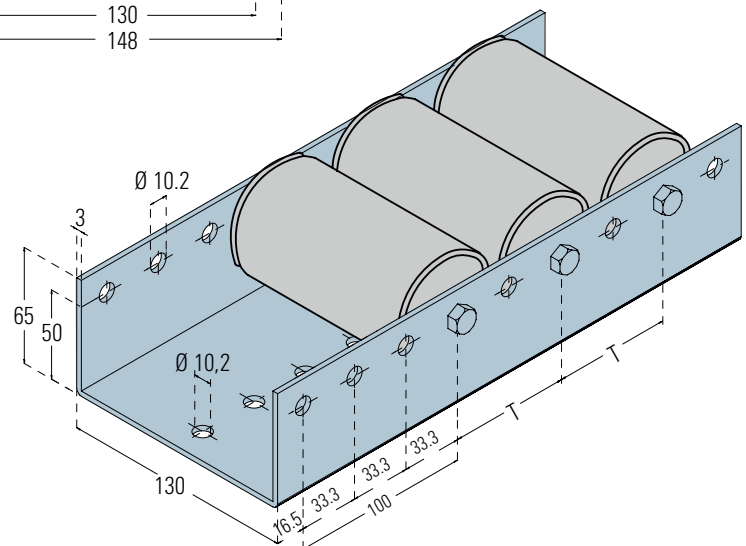
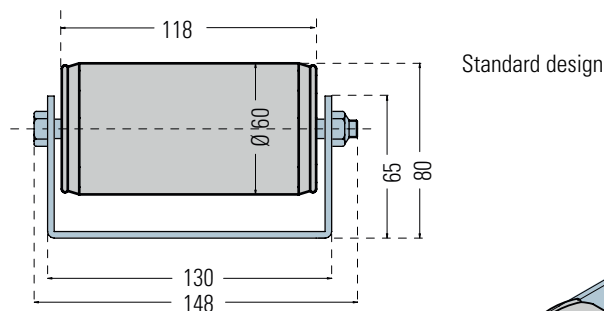
Order Advice:

The standard length of the Groovy-Pallet Roller Track is maximum 6033 mm and for high profile maximum 5200 mm. Each individual length should be ordered in a way, that the last two figures of the ordered length are either 00,33 or 66 (e.g. 4333 or 4300 or 4366 or 4400 mm). Other lengths have to be especially cut.

Special cut: **/SK = S1/S2**

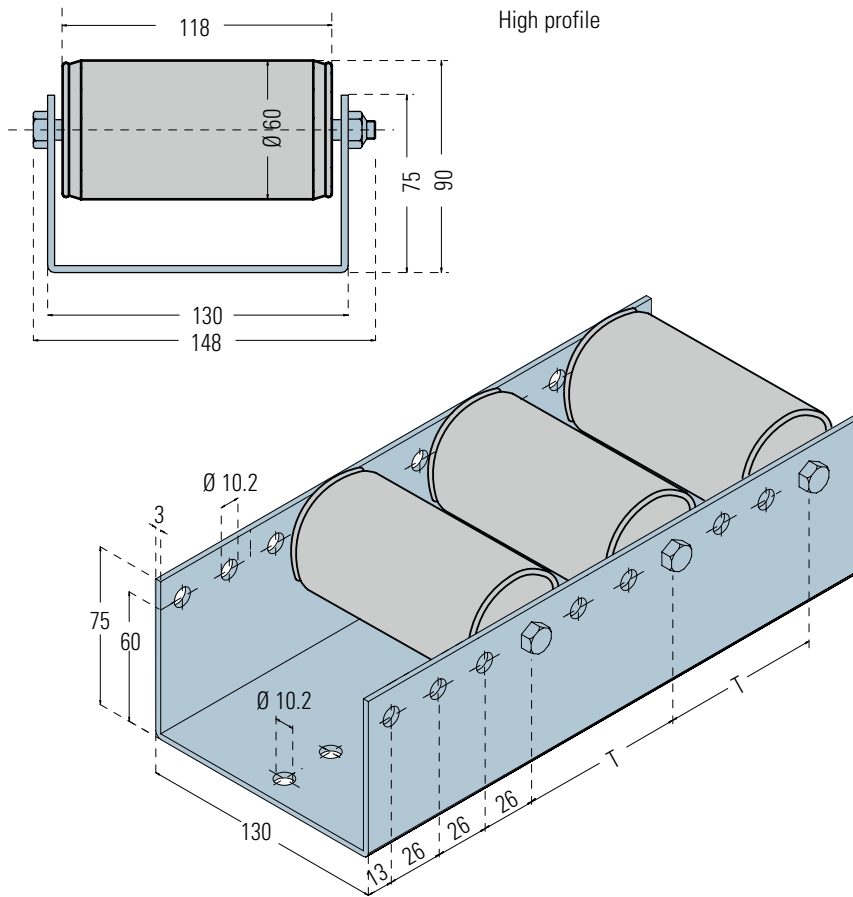
* The resisting torque is a common measure for resistance in engineering mechanics, that a body with the given cross section opposes a bend or torsion.

** The torque of inertia or moment of inertia is a physical variable in mechanism. It indicates the resistance of a rigid body compared to a change of its rotary motion.



GROOVY-PALLET ROLLER TRACKS

for live storage racking, transport and conveying



ACCESSORIES

End stop: **GEE**

Sliding end stop: **GESchE**

Groovy-Pallet Roller Track Twin Design with NR 2000/80. Carrying roller D = 50 x 1,5 mm offset. Side guides fix for NR2000/80 and NR2000/90, carrying rollers with welded flanged wheels on each roller or if required e.g. on each 4th roller.

Maximum length of track:

Standard Design = 6033 mm

High Profile = 5200 mm

Optional upon request:

Groovy-Pallet Roller Track with integrated brake conveyor NR-2000/90 with carrying roller D = 60 x 2 mm and automatic separating device.

Groovy-Pallet Roller Track with carrying roller D = 50 mm when a manual or automatic separating device is used.

GROOVY-PALLET ROLLER TRACK

Profile with rollers galvanised	Profile with rollers bright	Pitch	Length /L (max. 6033 resp. 5200 mm)	Special Cut /SK = S1/S2
NR 2000/80	NR 2000 B/80	66.667, 100, 133.334, 166.667, 200 / /
NR 2000/90	NR 2000 B/90	78, 104, 130, 156, 182 / /

LAYOUT

Single wheel zinc-plated	Single wheel blank	Axis with lock nut
NR 2000	NR 2000 B	M10 x 140+Mu
NR 2000	NR 2000 B	M10 x 140+Mu

ACCESSORIES

End stop	Sliding end stop	Brake conveyor EL = 124	Pallet separating device
GEE	GESchE	EBT2S	upon request

PALLET ROLLER TRACKS

The EUROROLL-Pallet Roller Track enlarges the roller track range. EUROROLL-Pallet Roller Track is used when continuous roller tracks cannot be used or when the lower-priced pallet roller track would be too narrow with a roller length of 118 (Groovy) mm.

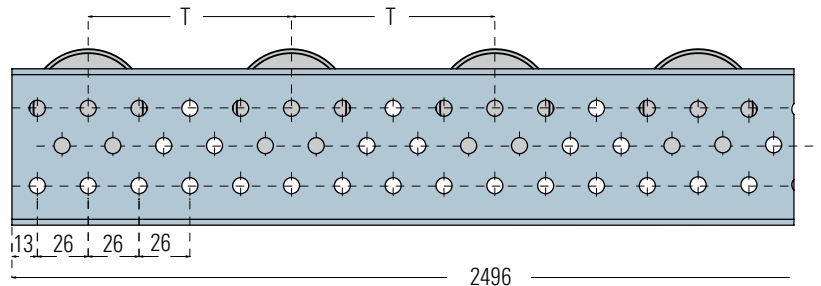
The EUROROLL-Pallet-Roller can be installed just as the Pallet Roller Tracks, but also as 2- or 3-piece roller tracks as an alternative for pallet roller tracks in live storage. When used in pallet live storage this track can be supplied with separators, hoppers and brake rollers.



Standard lengths are 2496 mm and 6500 mm. Other required lengths can, of course, be supplied. Longer tracks are connected with connecting rods. Please choose the track length in a pitch of 26 mm. Tracks can be equipped with wheels in a pitch (T)

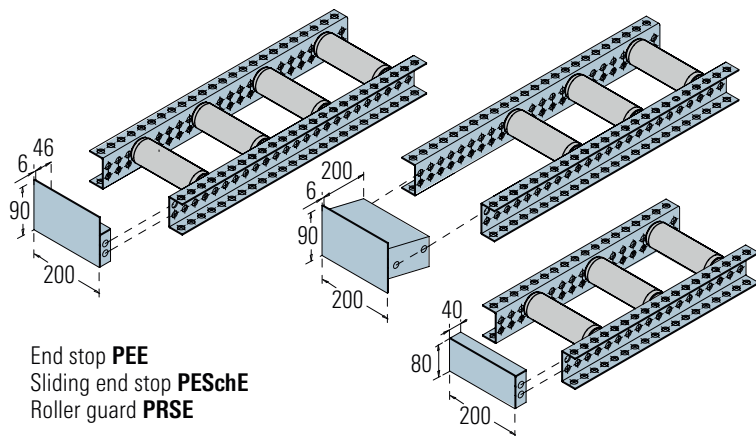
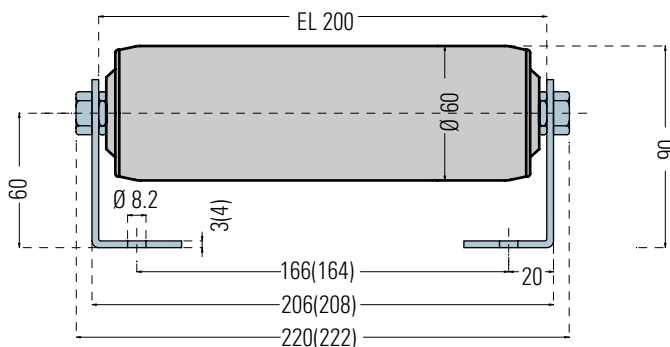
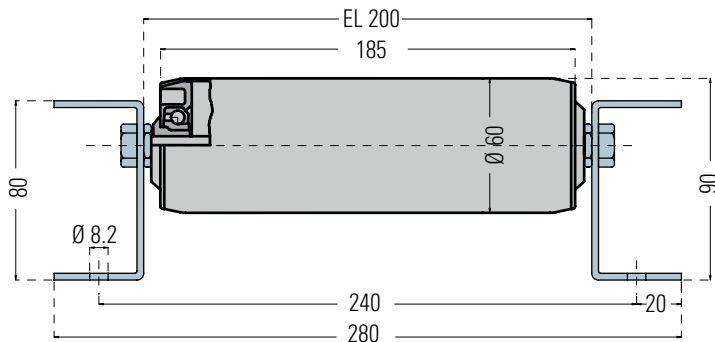
of 78, 104, 130, 156, 182 or 208 mm. The fitting length of the rollers is 200 mm. EUROROLL-Pallet rollers come in two U-shaped profiles 40/80/40 x 3 mm or a C-shaped profile 40/80/40/8 x 3 mm or 4 mm thick, Sendzimir-galvanised.

Rollers of a tube dia. 60x2 mm are fitted in between both profiles, the carrying capacity per roller being 200 kg. This standard design has the part number **PR 200**. For greater loads EUROROLL can supply a roller design with a carrying capacity of 240 kg/roller with the part number **PR 220**. The rollers can alternatively be either supplied with blank rollers or with galvanised rollers.



EUROROLL® PALLET ROLLER

for live storage racking,
transport and conveying



Roller carrying capacity 200 kg/roller: **PR 200**
Roller carrying capacity 240 kg/roller: **PR 220**

Roller design bright steel: **B**
Roller design galvanised: **I**

Profiles variants:
with 2 U/C-shaped profiles: **U/C**
with 2 L-shaped profiles, 3 mm thick: **L3**
with 2 L-shaped profiles, 4 mm thick: **L4**

Order example:
PR 200 – I – U – 130 / 6500

EUROROLL-Pallet-Roller Track, carrying capacity 200 kg/roller, roller galvanised, with 2 U-shaped profiles, pitch 130 mm, Length 6500 mm

ACCESSORIES

End stop: **PEE**

Sliding end stop: **PESchE**

Roller guard: **PRSE**

Connector for U/C-shaped profile design (pair): **VCP**

Connector for L-shaped profile design (1 pair): **PVL**

Optionally upon request:

Brake conveyor rollers for PR-200 or PR-220 with carrying roller D = 50 x 1.5 mm
Side guides fix for PR-220 or PR-200 carrying roller with welded flanged wheels on each roller or if requested on each 4th roller. Design also with C-shaped profile can be supplied.

EUROROLL- PALLET ROLLER TRACKS

Rollers 160 KG	Rollers 240 kg	blank	zinc-plated	U-shaped profiles 2 pieces	2 L-shaped profiles 3 mm	2 L-shaped profiles 4 mm	Pitch	Length /L (max. 6500 mm)	Special cut/ SK = S1/S2
PR 200	PR 220	/B	/I	U	L3	L4	78 /
PR 200	PR 220	/B	/I	U	L3	L4	104 /
PR 200	PR 220	/B	/I	U	L3	L4	130 /
PR 200	PR 220	/B	/I	U	L3	L4	156 /

ACCESSORIES PALLET ROLLER TRACKS

End stop	Sliding end stop	Roller guard	Connector U-shaped profile	Connector L-shaped profile
PEE	PESchE	PRSE	VCP	PVL

BRAKE ROLLERS BRAKE CONVEYOR ROLLERS

EUROROLL-Brake Rollers and EUROROLL-Brake-Conveyor-Rollers control the speed of the good to be conveyed on roller tracks whilst keeping the conveyed good at a constant run-off speed. This is achieved by means of a planetary gearing, which at each rotation presses the centrifugal brake discs against the roller body, raising it with proportional brake force up to the brake momentum. The distance of the brake rollers and the correct brake roller type are influenced by several factors.

1. Construction and capacity of the roller track
2. Declination of the roller
3. Characteristics of the good to be conveyed (size, weight, sensitivity, barrel-shaped)
4. Resistance of the Brake Roller
5. Environmental conditions, e.g. wet, cold or warm conditions

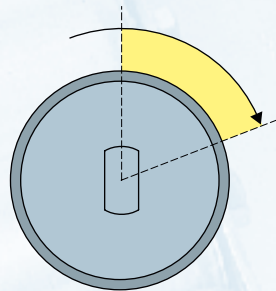
At least one brake roller or brake conveyor roller should be fitted per pallet place, only then a controlled speed without acceleration and increased force, can be achieved. The run-off-speed of the pallet should never be above 0.3 m/sec. When the brake rollers are correctly positioned the run-off speed is 0.1 – 0.2 m/sec. Depending on pallet weight and decline. It is important that the adjustment of the suspension of the brake rollers and brake conveyor rollers is correct. As a result of the friction between the brake roller and the good to be conveyed (conveyor roller or pallet), a slip free contact and a constant conveying speed is achieved. Applicable range of temperature -30°C up to $+45^{\circ}\text{C}$. A pallet weight from 80 kg up to 1400 kg. is possible, dependant on the usage.

Braking force diagram

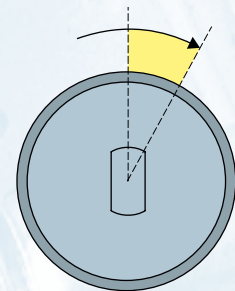
Braking force diagrams are a great help when choosing the correct type of brake rollers and brake conveyor rollers. Forces (which mainly arise due to acceleration), which exceed the characteristic curve, can overload and destroy the brake rollers. Therefore the brake rollers and brake conveyor rollers should be fitted in pallet distance in roller tracks or even closer to each other. This means that the pallet in each position is always in contact with a brake roller (it's a speed controller).



BTR Ø 89 reaction time after ≈ 130 mm



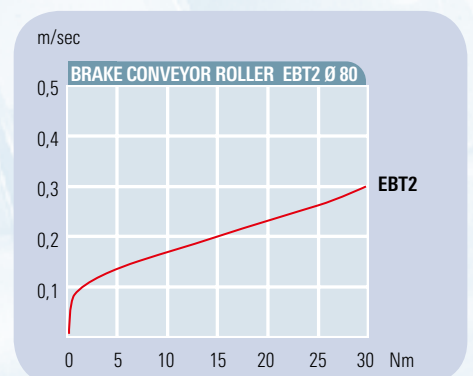
EBT2 reaction time after ≈ 63 mm



In comparison to the earlier Brake Conveyor Roller **BTR** dia. 89, the new EUROROLL-Brake Conveyor Roller **EBT2** has a considerably shorter reaction time.

The EUROROLL-Brake Conveyor Rollers are made with a **diameter of 80 mm**.

Each brake conveyor roller is delivered with a pair of fixed fasteners/holders and is therefore fitted in a way that it is approximately maximum 2 mm above the roller track. It is absolutely essential that each brake conveyor roller is precisely installed and checked. The height dimension needs to be determined and exactly adjusted by carrying out careful tests.



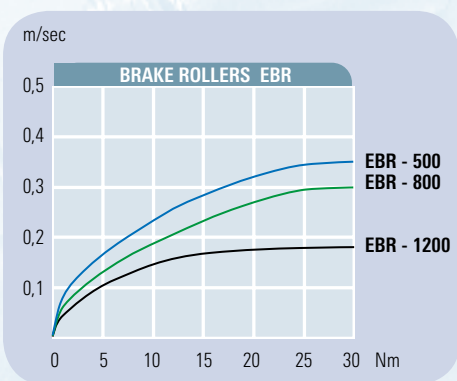
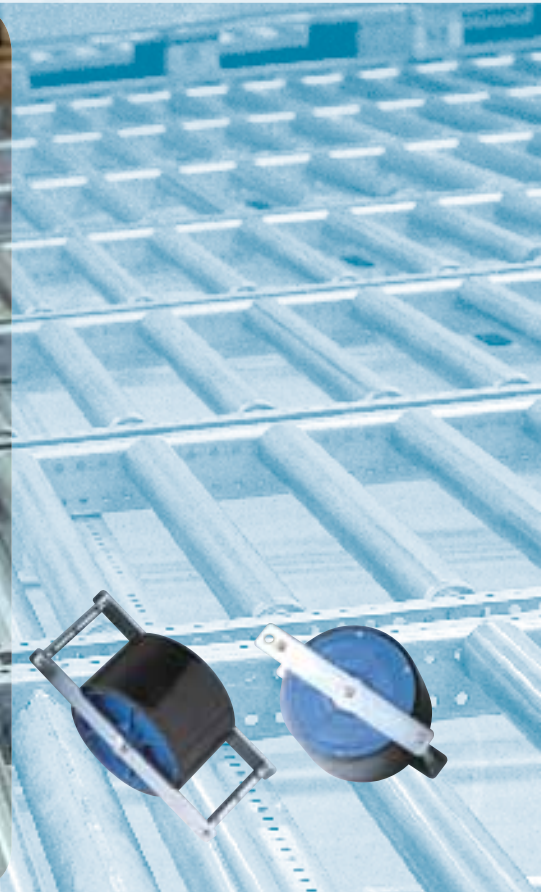
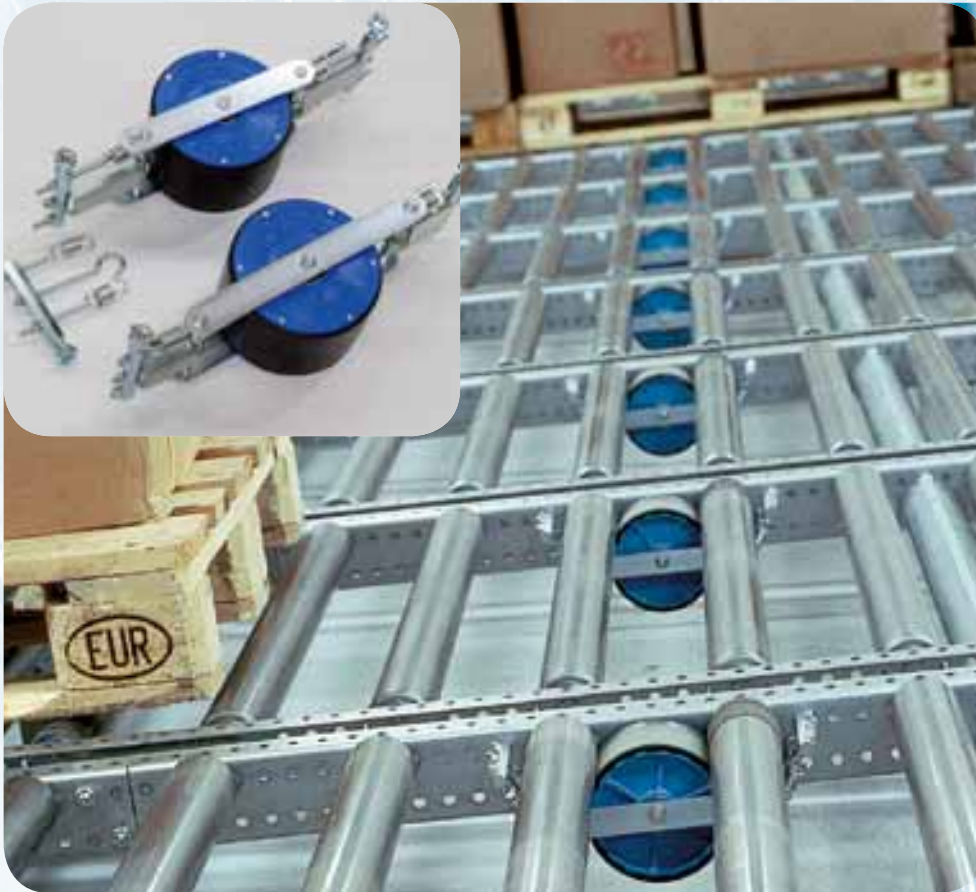
PVC-coated or knurled brake conveyor roller

EUROROLL offers for use with steel pallets or plastic pallets, brake conveyor rollers with a shrunk-on PVC coat for the entire roller length respectively and a knurling of the tube at the contact surface of the pallet.



EUROROLL[®] BRAKE ROLLERS BRAKE CONVEYOR ROLLERS

areas of application



Dependent on the kind of installation EUROROLL-Brake Rollers can be supplied with short or long mountings. An extensive range of accessories, to install brake rollers and adjust them correctly, supplements the product range.

2 kinds of installation are possible:
Direct or indirect speed control of the pallet to be conveyed.

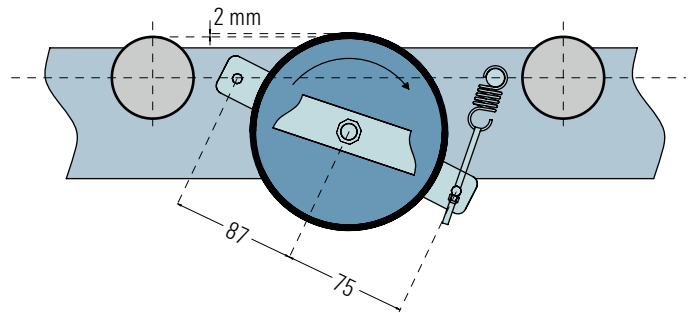
TYPES OF INSTALLATION

Direct speed controlling:

With direct speed controlling the EUROROLL-Brake Roller has direct contact with the pallet. The brake roller is spring suspended and has to be 2 mm above roller level of the conveyor.

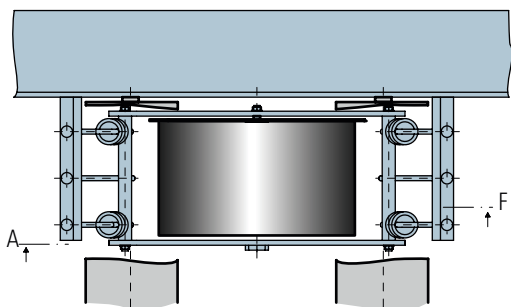
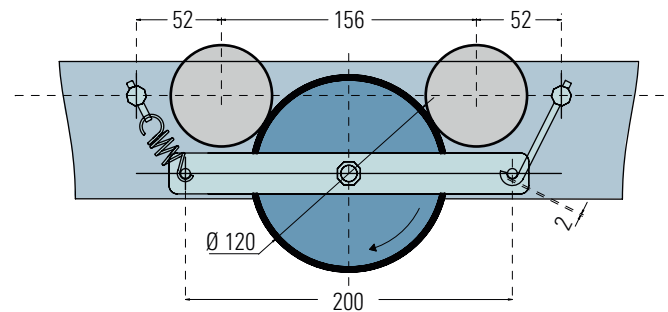
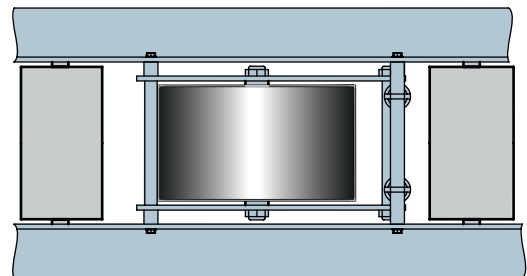
Indirect speed controlling:

In many cases the indirect speed control is preferred as the contact of the pallet is transferred by means of 2 conveyor rollers. 4 springs take over the optimal contact, 2 hook screws, fitted loosely, secure the brake roller. In order to improve the contact between brake roller, conveyor roller and pallet, self-adhesive friction covers should be fitted to the conveyor roller, which are in contact with the Brake Roller.



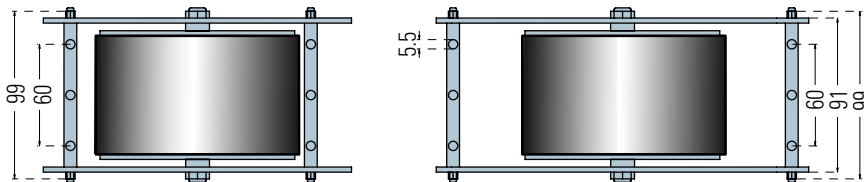
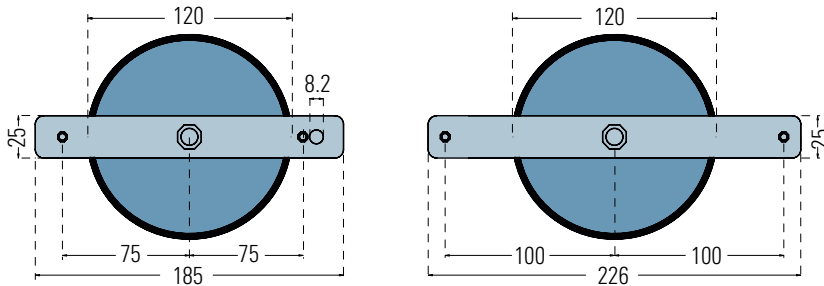
DETERMINATION OF THE BRAKE ROLLER SUSPENSION

Carrying rollers	Pitch	Grid -R	Fastener short -K long -L	Screw hook -HB	Spring suspension -FB
Ø 60	78	26	L	HB 73	40
Ø 60	100	50	K	HB 90	65
Ø 60	104	52	K	HB 90	65
Ø 60	120	48	L	HB 90	50
Ø 60	125	50	L	HB 90	50
Ø 60	130	52	L	HB 90	40
Ø 60	144	48	L	HB 67	40
Ø 60	150	50	L	HB 67	30
Ø 63	130	52	L	HB 90	50
Ø 63	156	52	L	HB 67	30
Ø 80	125	50	L	HB 90	65
Ø 80	130	52	L	HB 90	65
Ø 80	150	50	L	HB 90	50
Ø 80	156	52	L	HB 90	50
Ø 50	75	37.5	K	HB 90	65
Ø 50	100	50	K	HB 90	50
Ø 50	104	52	K	HB 90	50
Ø 50	125	50	L	HB 67	40
Ø 50	130	52	L	HB 67	40
Ø 90	175	25	L	HB 67	30

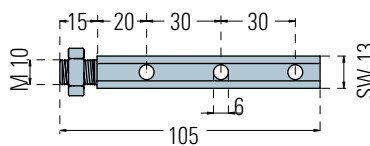


EUROROLL® BRAKE ROLLERS

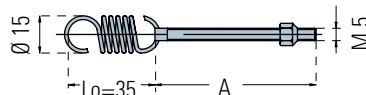
fitting examples, technical data, accessories



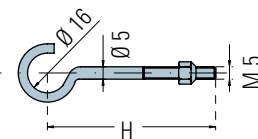
Suspension pin



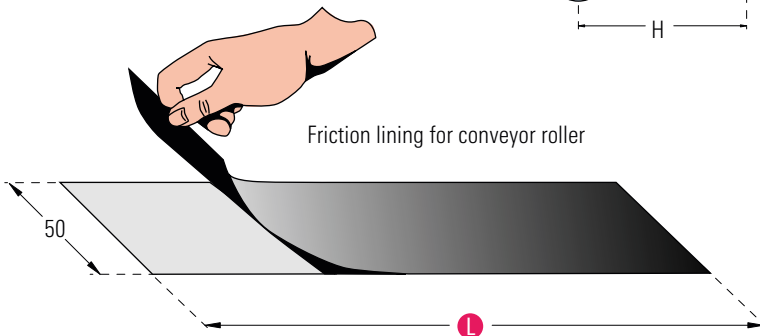
Spring suspension A = 30, 40, 50, 65



Screw hook H = 67, 73, 88 or 90 mm



Friction lining for conveyor roller



The EUROROLL-Brake Roller can be delivered – as required – with short or long holders/ fasteners.

Holder/fastener long: **-L**
Holder/fastener short: **-K**

With a 4 % declination the brake rollers should be supplied with the following maximum loading weights:

Loading weight 500 kg: **EBR 500**
Loading weight 800 kg: **EBR 800**
Loading weight 1200 kg: **EBR 1200**

Order example: EBR 800 - L
EUROROLL-Brake Roller with long holders/ fasteners for 800 kg/pallet

Suspension pin: **AAB**
Suspension pin to fix the brake roller

Spring suspension in different lengths:
Length A = 30 mm: **FB 30**
Length A = 40 mm: **FB 40**
Length A = 50 mm: **FB 50**
Length A = 65 mm: **FB 65**

Screw hook in different lengths:
Length H = 67 mm: **HB 67**
Length H = 73 mm: **HB 73**
Length H = 88 mm: **HB 88**
Length H = 90 mm: **HB 90**

Friction lining for the conveyor roller (self-adhesive) for indirect installation (please state length):
RNN – L

EUROROLL-BRAKE ROLLERS

Roller type	Allowed pallet weights	Mounting short -K Mounting long -L	Suspension pin	Spring suspension for different length	Screw hook	Friction lining /Length L
EBR 500	500 kg	-K or -L	AAB	FB 30, FB 40, FB 50, FB 65	HB 67, HB73, HB 88, HB90
EBR 800	800 kg	-K or -L	AAB	FB 30, FB 40, FB 50, FB 65	HB 67, HB73, HB 88, HB90
EBR 1200	1200 kg	-K or -L	AAB	FB 30, FB 40, FB 50, FB 65	HB 67, HB73, HB 88, HB90

TYPES OF INSTALLATION

Brake conveyor roller dia. 80 mm with fixed fasteners/holders

Load up to 1400 kg: **EBT2S**

The measure of the fitting length **EL** (in mm)

Design of the bracing tube:

Tube bright steel: - **B**

Tube galvanised: - **I**

Deep-freeze design: - **TK**

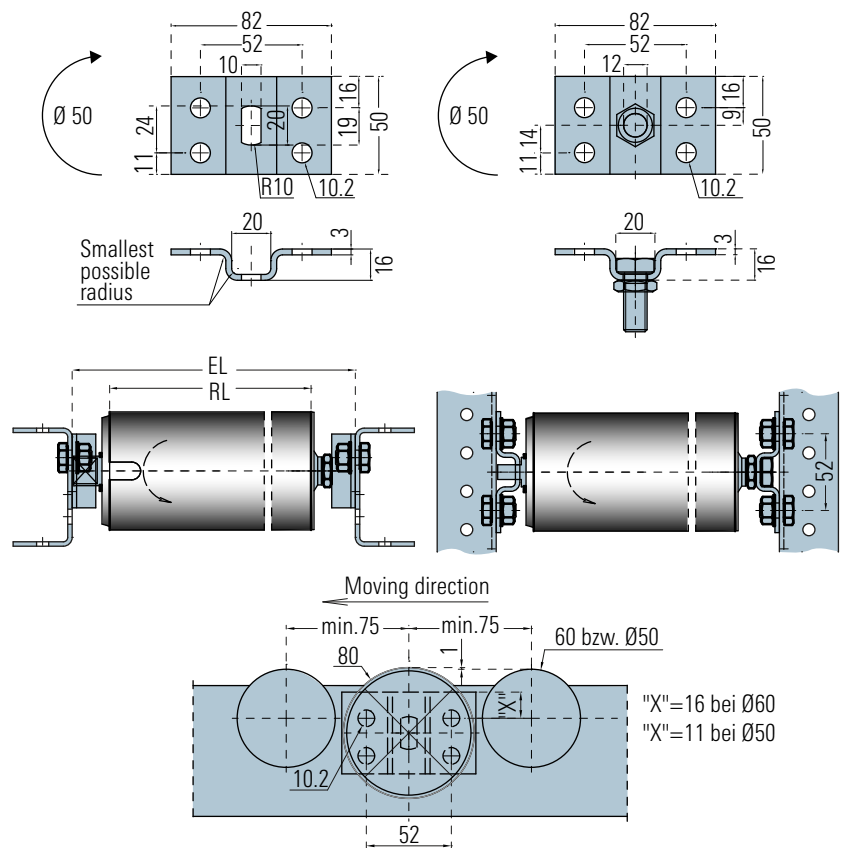
Rubberised for steel- and plastic pallets: - **G**

Knurled tube for plastic pallets: - **R**

The fastener/holder needs to be installed with a turn of 180° when using bracing tubes with dia. 50 mm.

Order example: EBT2S – 872 – I

Brake conveyor roller with pivot holders for pallet weights up to 1400 kg, fitting lengths 872 mm, bracing tube galvanised



Brake conveyor roller dia. 80 mm with fixed fitting length of 124 mm: **EBT2S – 124**

Measure of the bracing tube:

Tube bright steel: - **B**

Tube galvanised: - **I**

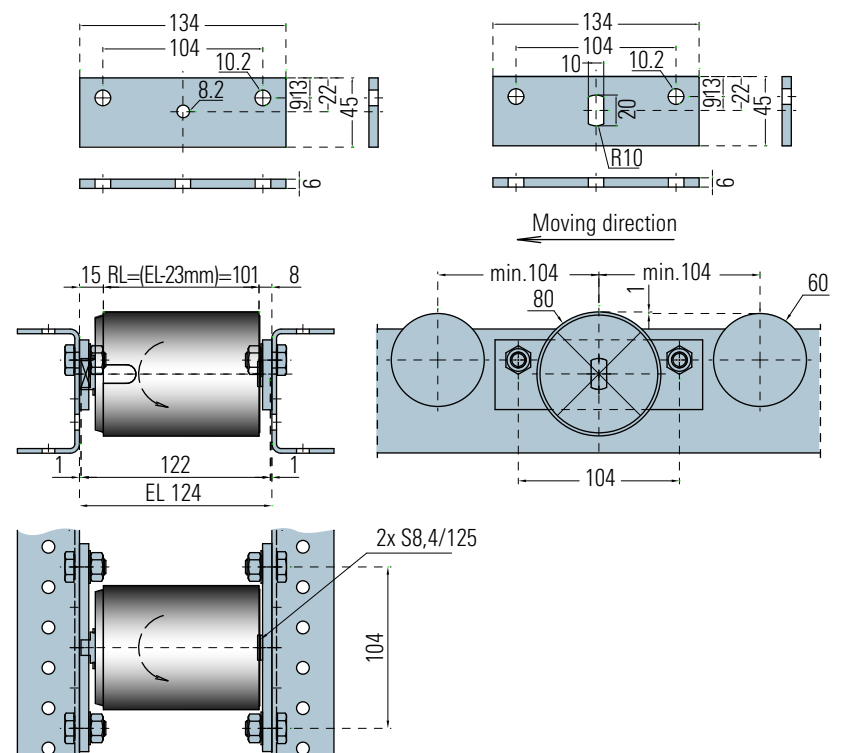
Deep-freeze design: - **TK**

Rubberised for steel and plastic pallets: - **G**

Knurled tube for plastic pallets: - **R**

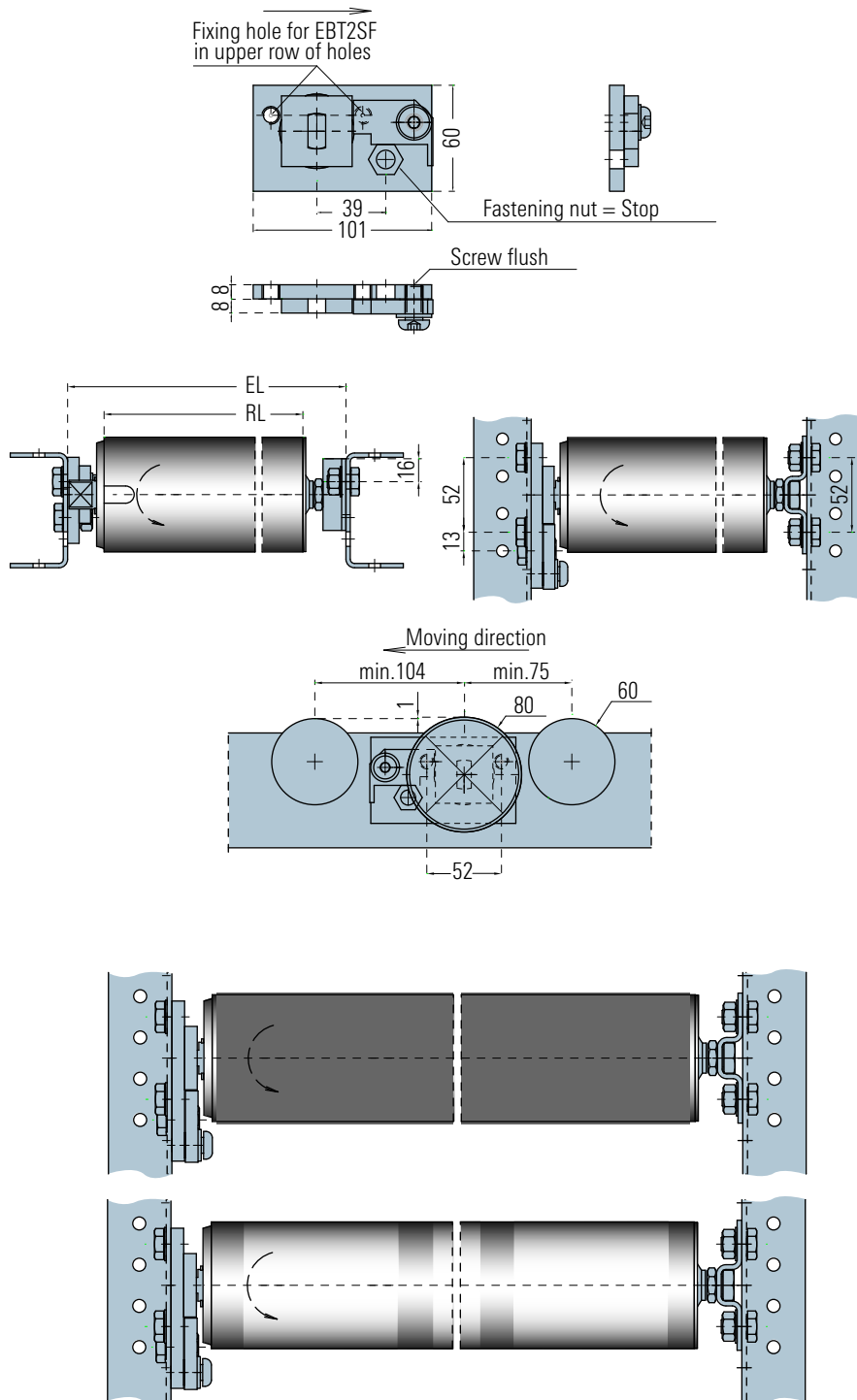
Order example: EBT2S - 124 - B

Brake conveyor roller with fixed fasteners/holders for pallet weights up to 1400 kg, for fitting length 124 mm, bracing tube bright steel



EUROROLL® BRAKE CONVEYOR ROLLERS DIA. 80 mm

dimensions, technical data



The one-sided brake conveyor roller was mainly developed for push-in-roller tracks and for picking tracks, where the pallets need to be pushed back. The function of the free outlet flow is integrated in the mounting of the brake roller conveyor. By changing the mounting, each brake conveyor roller can be converted to a one-sided function

Free-wheel fastener/holder: - F

Free-wheel fastener/holder for brake conveyor roller. Mechanical fasteners/holders (European Pattern of Use) to be used at push-in-roller tracks with brake momentum in only one direction.

Brake conveyor roller dia. 80 mm with free-wheel fastener/holder:

Load up to 1400 kg: **EBT2SF**

The measure of fitting length **EL** (in mm)

Design of the bracing tube:

Tube bright steel: - **B**

Tube galvanised: - **I**

Deep-freeze design: - **TK**

Rubberised for steel and plastic pallets: - **G**

Knurled tube for plastic pallets: - **R**

Order example: EBT2SF – 872 – I

Brake conveyor roller with free-wheel-fastener/holder for pallet weights up to 1400 kg, for fitting length 872 mm, bracing tube galvanised.

Rubber coating: - **G**

Brake roller coated with 5 mm hose. To improve the adhesion with steel and partly with plastic pallets.

Knurling: - **R**

Brake roller with knurling. To improve the adhesion with plastic pallets.

Order example: EBT2S – 1072 – B

Brake conveyor roller with fixed fastener/holder for pallet weights up to 1400 kg, for fitting length 1072 mm, bracing tube bright steel, with free-wheel holder

BRAKE CONVEYOR ROLLERS DIA. 80 mm

LAYOUT

Roller type	Allowed pallet weight	Deliverable type of fasteners/holders	Rollers zinc-plated	Rollers bright	Deep-freeze version	Knurling	Rubber coating
EBT2S	80-1400 kg	EBT2S, EBT2SF	-I	-B	-TK	-R	-G
EBT2S - 124	80-1400 kg	EBT2S, EBT2SF	-I	-B	-TK	-R	-G

DESIGN

EUROROLL-System Components can be supplied for most different kinds of racking types and systems for every kind of application.

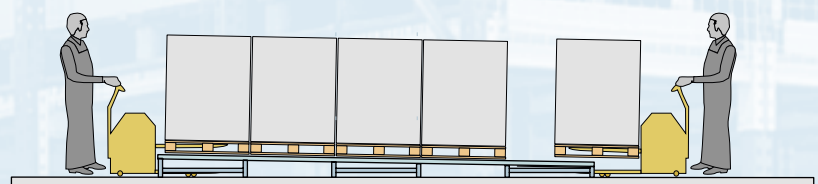
Live Storage racking with gravity roller conveyors

Anywhere, where several pallets are conveyed on one conveyor, EUROROLL-Gravity Conveyors can be installed. With gravity roller conveyors ending on the ground, which are all assembled on one level, pallets can be removed from the loading and unloading sides by lifting devices. The ground conveyors are equipped with supports, which are doweled to the ground hall. A simple and useful construction, which is used in many areas.

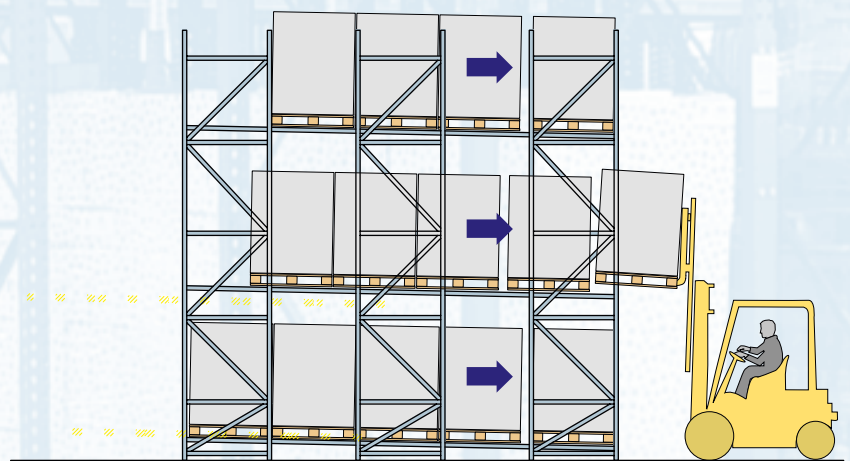
Live storage racking, high-level racking

The live storage racking consists of gravity roller conveyors, which are fixed in a racking system. As several conveyors are next to each other and the ceiling height is fully used due to several levels, economic use of space is created as well as an economic storing system; this results in more efficient unloading aisles, time-saving and cost optimisation. The loading and unloading sides are separated.

Apart from the storage function, the conveyors also have a transport function. These conveyors are equipped with brake rollers, so that the pallet – also when the conveyor is empty – will move to the end at a constant speed. Over time the customer will save money with the maintenance-free roller tracks.



Gravity roller conveyors



Live storage racking

EUROROLL®-STORAGE SYSTEMS

gravity roller conveyors, live storage racking, push-back storage



Push-back storage

Modified designs of the "classic" live storage are possible, using the same components, thus push-back conveyors can be made. When storing the pallet in a push-back system the pallet is pushed against the inclination with a fork truck and is removed from the conveying system on the same side.

(Lifo System = Last in – First out).

Pushfix pushback cart system

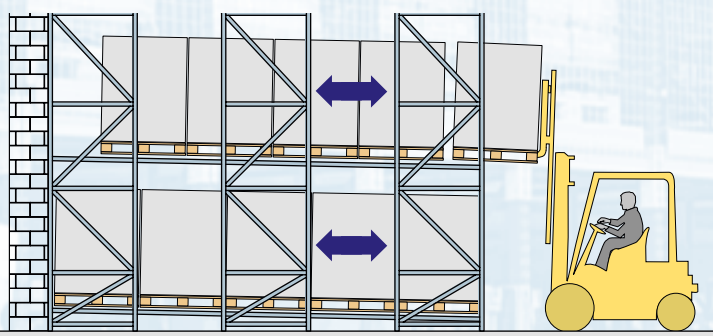
Pushfix is also based on the principal of the "Lifo-System" (= Last in – First out). The rail construction is installed with an inclination, on which the carts are guided on four double-ball-bearing plastic wheels. The solid carts can also handle fragile one-way-pallets.

The cart actuators make storing and removing by fork-lift truck possible. Temporary excavation support system and stops against falling out are, of course, part of the basic design of the system. The first pallet is placed on the upper cart. When the next pallet is placed on the track all the other pallets, which are already on the track, are pushed backed by one position. After that, the next pallet, which needs to be stored, is positioned on the next lower cart. The last pallet is directly positioned on the track.

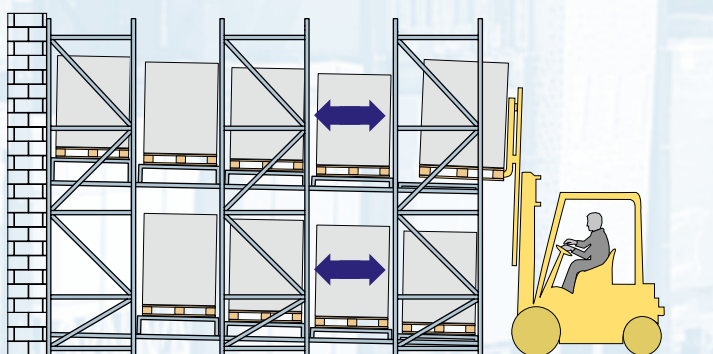
This system can be used for pallets with a size of 800 x 1200 mm resp. 1000 x 1200 up to a weight of 1000 kg. The standard depth is up to 4 pallet positions (higher number of pallet positions upon request).

The "Pushfix"-System is ideal for racking. However, it can just be used as "stand-alone"-variation.

EUROROLL can also make Push-Back-Systems for pallets with a weight up to maximum 1800 kg as special designs.



Push-back storage



Pushfix-System

MOUNTING

Construction of live storage systems with EUROROLL-Pallet Roller Conveyors.

Existing pallet storage systems are changed over to pallet roller conveyors. The advantages are, that the order picking front and the loading front are separated, so that costs are reduced in regard to gangway and picking and at the same time accidents in the warehouse are prevented. With EUROROLL-Additional Elements, it is very easy to adapt the existing storage systems. As required the pallet can be stored either lengthwise or crosswise.

The conveyors are mounted to cross beams with mounting clamps. The advantage is that, the conveyors are mounted tension-free. Furthermore the cross beams are not weakened in the cross section by borings.

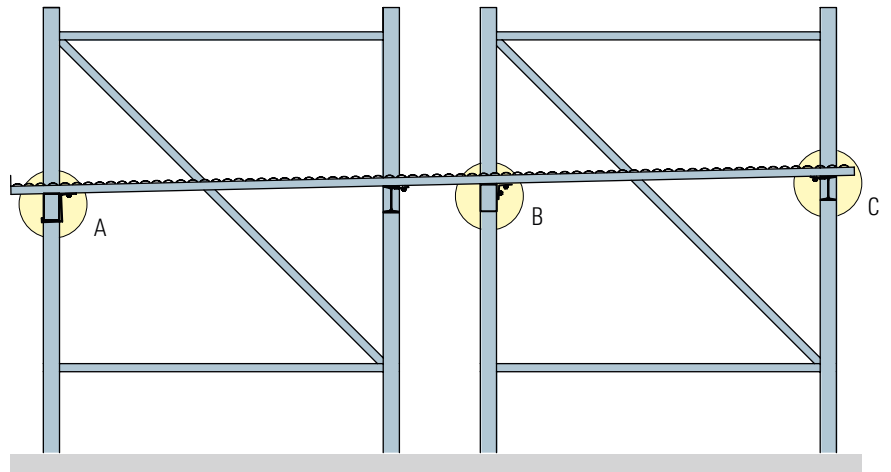
Clamping hook with screw: **BKEH**

Cross beam mounting angle with screw: **TBW**

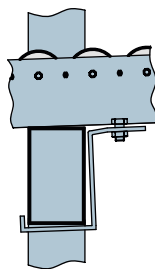
Clamping clip with screw: **BKE**

Dowel mounting set for ground mounting (without dowels). For approx. 2500 mm long pallet conveyors with 2.7 % declination: **DubE**

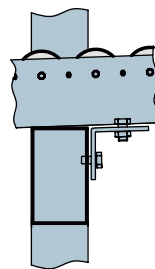
Dowel dia. 10 mm: **Dub**



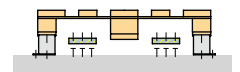
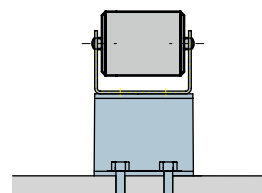
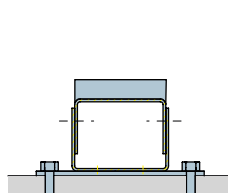
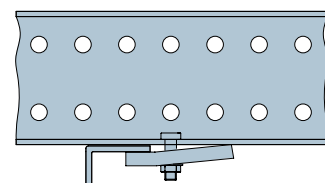
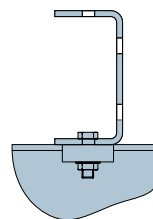
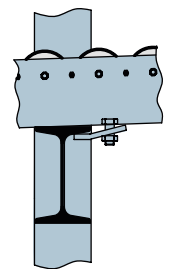
Detail A
BKEH



Detail B
TBW



Detail C
BKE



MOUNTING MATERIAL

Clamping clip with screw	Dowel mounting set	Dowel dia. 10 mm
BKE	DubE	Dub

PALLET ROLLER TRACKS PALLET ROLLER CONVEYORS

mounting and fitting possibilities



EUROROLL-Pallet Roller Conveyors + standard pallet packing = low cost solution for flow stores

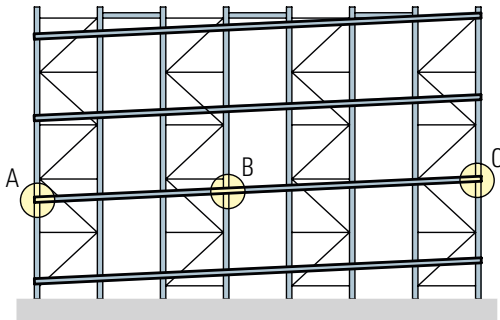
The concept is simple: Standard width pallet racking frames can be used, because all working parts of the roller conveyors are situated within the height of the conveyor profiles. Cross beams should be fitted giving a declination of 3.75 % to 4.25 %. The roller conveyors are fixed to the cross beams with cross beam mounting angles. There is no need to bore additional fixing holes. The installation is therefore very simple and the conveyors lie on the cross beams without any tension. One or more conveyors can be installed next each other on one set of cross beams.

The fixing of the conveyors is shown in **detail B**. Best type of cross beams are open profiles or double T-shaped profiles (see **detail B**). At loading and picking faces (**details A and C**) angle type cross beams are most suitable. This method protects the conveyors and has the additional advantage of extra space for loading and unloading the pallets which the forklift operators will find invaluable. The EUROROLL conveyors can, of course, also be supplied as gravity conveyors with a support construction.

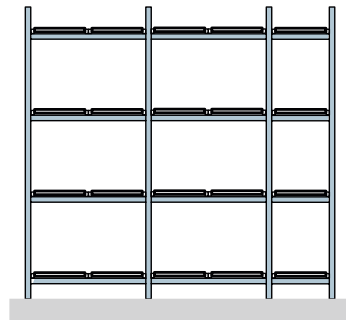
Cross beam distances:

The distance of the cross beams for the supporting beams are illustrated in the diagram on the left side on the page. Normally cross beam distances over 1300 mm are to be avoided, as too much flexing will interfere with the smooth running of the pallets when heavily loaded.

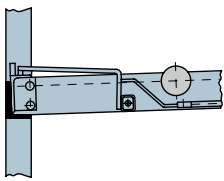
Flow storage side view



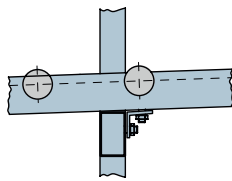
Unloading side



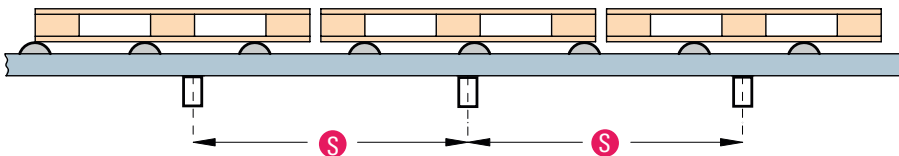
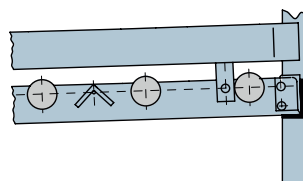
Detail A



Detail B

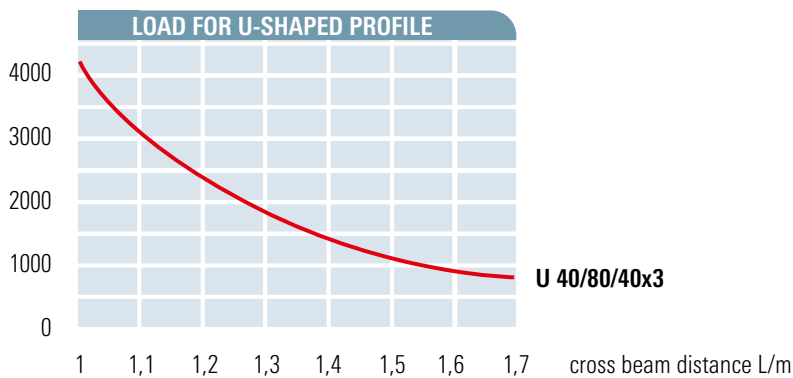


Detail C



Load equally distributed on cross beam distances. Data is valid for conveyors with 2 profiles

load/kg



MODULAR CONSTRUCTION

Different kinds of rack types and systems for each kind of application can easily be made with EUROROLL-System components. The length and the width of the conveyor can vary and can be freely chosen. Dependent on the application and the room space, care should be taken, that the right loading and unloading element is ordered.

There are loading elements for:

Every kind of forklift truck, whether they are able to tilt the forks or to which height they are able to lift the forks. For example manual hand truck or electrical lift truck etc.

There are unloading elements for:

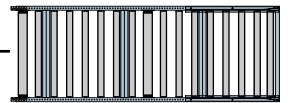
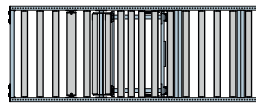
Manual picking up of the empty pallet or all other unloading variation by any kind of forklift truck.



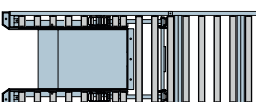
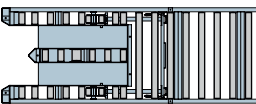
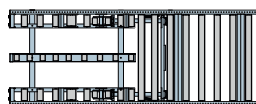
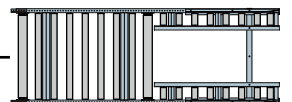
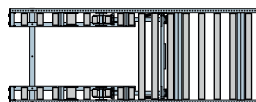
Unloading elements

← Moving direction

Loading elements





Intermediate elements



EUROROLL® PALLET CONVEYORS



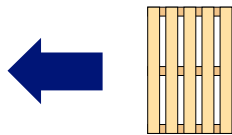
storing and picking variants,
possibilities of application

▲	▲	▲			▲				▲		▲
▲	▲	▲			▲		▲	▲	▲	▲	▲
▲	▲	▲			▲		▲	▲	▲	▲	▲
Suitable for floor mounted gravity roller conveyors	Suitable for live storage systems	Suitable for push-back storage systems	 Loading side  Unloading side	Optionally dynamic unloading	Manual picking	Manual forklift truck	Electric forklift truck	Forklift truck without tilting forks	Fork truck with tilting forks	High-ranking fork truck without tilting forks	High-ranking fork truck with tilting forks
▲	▲			▲	▲				▲		▲
▲	▲	▲		▲	▲		▲		▲		
▲	▲	▲		▲	▲	▲			▲		
▲	▲			▲	▲				▲	▲	▲
▲	▲			▲	▲				▲	▲	▲

DESIGN

Short gravity roller conveyors for maximum 2 – 3 pallets can provide cost-savings with EUROROLL-Pallet Roller Tracks. Options include a choice as to whether the pallet is conveyed in length or cross direction to the beam. This is the most effective solution for pallet cross transportation. The use of Brake Rollers is not necessary when there is a slight declination.

Longer gravity roller conveyors are often more effective with single conveyors with continuous rollers.



Pallet crossways transport

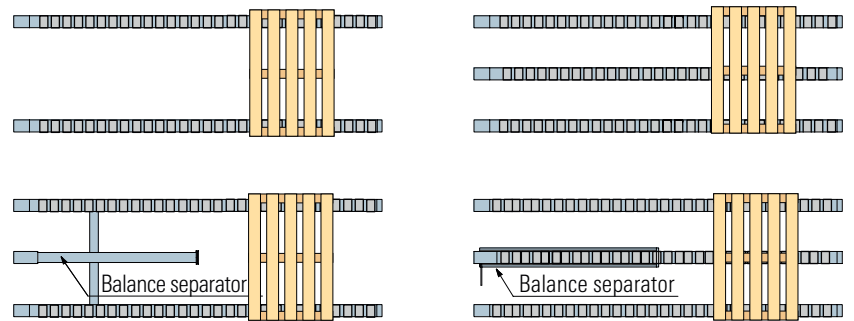
Pallet crossways transport with maximum 3 pallets with EUROROLL-Pallet Roller Tracks (without brake rollers)

2 Roller Tracks (double-track) for pallets with a weight up to maximum 600 kg. Selectively with balance separator for pressure-less unloading.

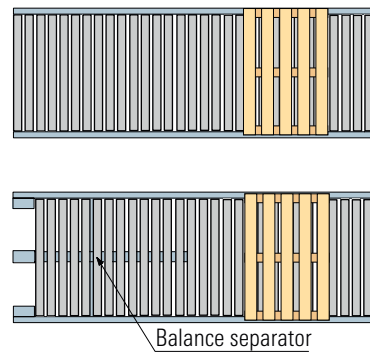
3 Roller Tracks (triple-track) for pallets with a weight up to a maximum 1000 kg. Selectively with balance separator for pressure-less unloading.

Across batten conveyors

Conveyors for the across batten transport of pallets are equipped with EUROROLL-Pallet Roller Tracks. Brake Rollers in sufficient quantity and a pallet separating device.

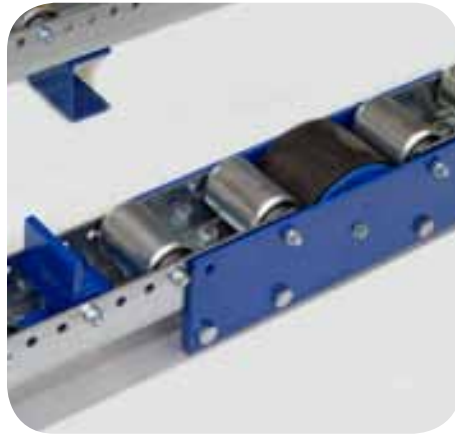


← Moving direction

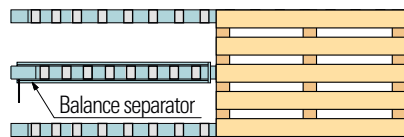
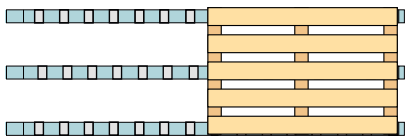
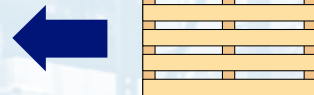
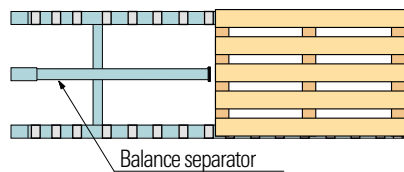
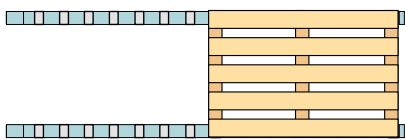


EUROROLL® PALLET ROLLER TRACKS ROLLER CONVEYORS

commissioning tracks for crossways and lengthways transportation



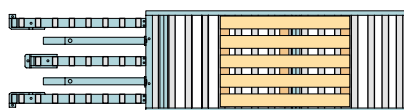
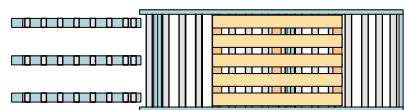
Pallet lengthways transport with a combination of EUROROLL-Pallet Roller Tracks and Roller Conveyors up to max. 3 pallets.



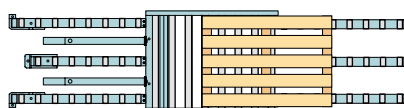
Pallet lengthways transport

Pallet lengthways transport, depth of 2 pallets, with and without balance separator.

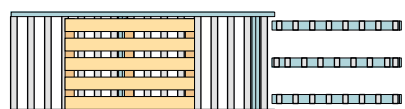
Moving direction ←



Pallet lengthways transport, depth of 3 pallets, with tripartite unloading, with and without forklift truck, push-start and fender with position adapter.



Pallet lengthways transport, depth of 3 pallets, with tripartite loading, with and without forklift truck, push-start and fender, with position adapter on the unloading side.



Pallet lengthways transport, depth of 3 pallets, with tripartite loading and unloading, with continuous rollers.

SAFETY

Pallet separator and sliding stop

A fully automatic pallet separator is fitted at the picking side, which controls:

1. The separation of the pallet, which needs to be picked, from the other pallets, avoiding line pressure and assuring a safe picking operation.
2. Pre-stopping of the other pallets until the pallets, which need to be picked, are completely removed.
3. A sliding deceleration in front of the end stop, ensuring, that the next pallet is gently stopped.

At the same time the end stop protects the rollers from being damaged by the forks of the forklift truck.

Pallet separation

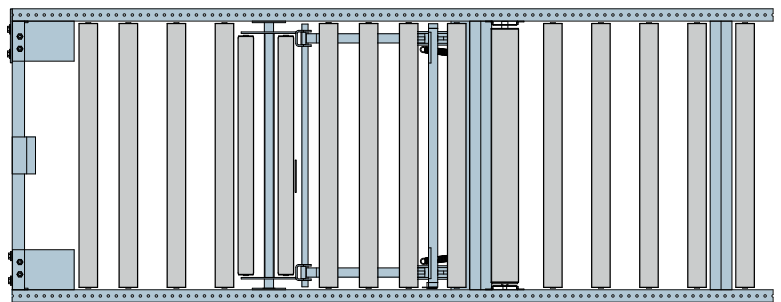
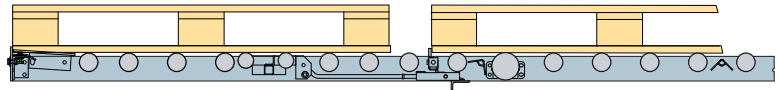
The separation of the first two pallets is always carried out by means of accelerating the first pallet for a short time over a defined distance, i.e. getting the pallet out from the speed control of the Brake Rollers. This acceleration energy has to be nullified again, which can be achieved by means of the below-mentioned methods.

Separator with normal braking

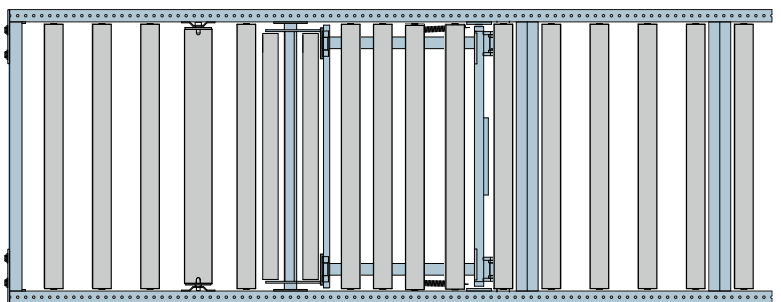
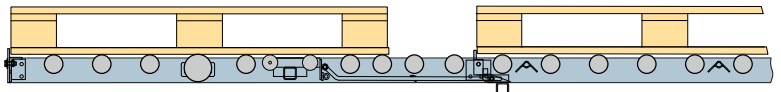
This method is used in connection with a sliding end stop (usually when forklift picking is used).

Separator with dynamic braking

With dynamic braking a brake roller is just in front of the end stop. This ensures, that the pallet reaches an exact defined end position, which is required in an automated warehouse.



Pallet separating device with sliding end stop



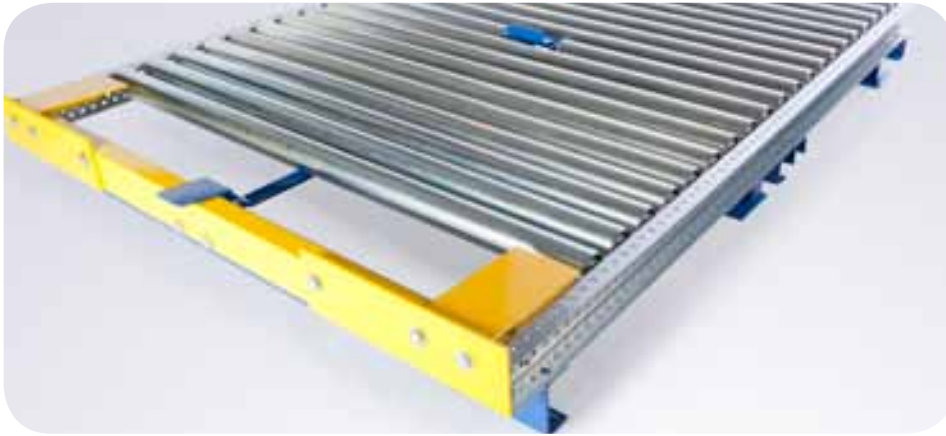
Pallet separating device with dynamic braking

Advantages of the EUROROLL-Pallet-Separating Device „Flex-TV“

- Different kinds of pallet lengths on a gravity roller conveyor are possible (mixed operation).
- Suitable for loads up to approx. 20,000 kg (larger loads upon request).
- Reset at malfunction.
- Separating device flaps are not a disturbance factor for forklift trucks.
- Pallet separation also with heavily variable pallet weights.
- No fixed connection between separating device flap and separating device stopper.

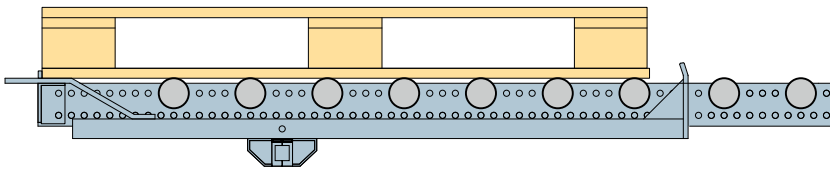
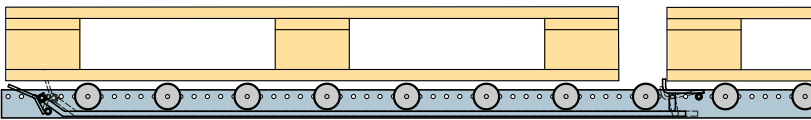
PALLET ROLLER CONVEYORS

safety devices



Manual separating device

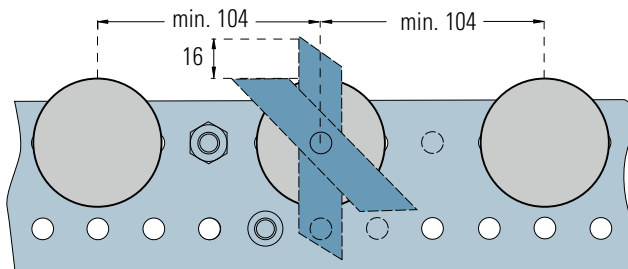
The manual separating device with a crossbar motion link enables picking of loads without line pressure. The advantages over the previous technique are: secure separation also with heavily variable pallet weights, mixed operation of different kinds of pallet lengths on one track is possible. After manual release the pallet starts independently and crosses the crossbar, which after that clicks into place and the following pallet stops.



Balance separator

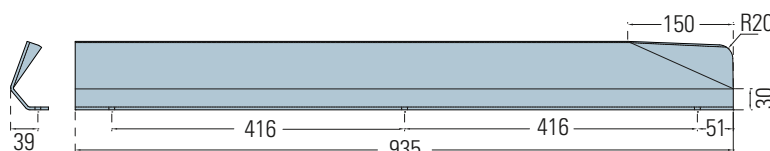
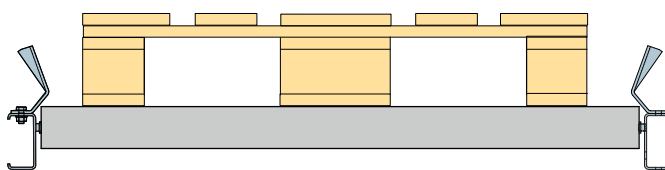
Especially for Roller Tracks with only 2 or 3 pallets one after another, a balance separator can be fitted instead of a conventional automatic pallet separator. When this method is used the length of the roller conveyor is only 50 mm longer than the number of pallets x pallet length. A brake roller is necessary at a roller track length of 3 pallets. The balance separator is operated either by hand or foot pedal.

Moving direction ←



Push-back-stop

The push-back stop SKR avoids, the pallet being pushed back again against the moving direction.



Entry guides and roller protection profile

At the loading side a heavy duty angle profile is fitted to avoid a damage to the rollers by forklifts, while the entry guides ensure a central positioning of the pallets. These are not required, when the installation is fully automated, however, a heavy duty roller is then recommended.

ROLLER CONVEYOR PROFILES

Roller conveyor profiles

The standard profiles used for conveyors are U-shaped 40/80/40 x 3 mm. The profiles are Sendzimir-galvanised, if required they can also be supplied lacquered.

EUROROLL-Standard

C-shaped profile 40/80/40 x 3: **C 80-40**

Wx = 2.5 cm³

Wy = 10.8 cm³

Ix = 7.0 cm³

Iy = 43.1 cm³

EUROROLL-Standard

U-shaped profile 40/80/40 x 3: **U 80-40**

Wx = 2.5 cm³

Wy = 10.8 cm³

Ix = 7.0 cm³

Iy = 43.1 cm³

L-shaped profile 40/75 x 3: **L 75 x 3**

L-shaped profile 40/75 x 4: **L 75 x 4**

EUROROLL-Variofix-profile can be delivered upon request.

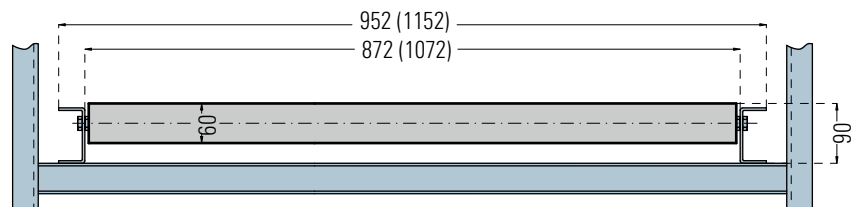
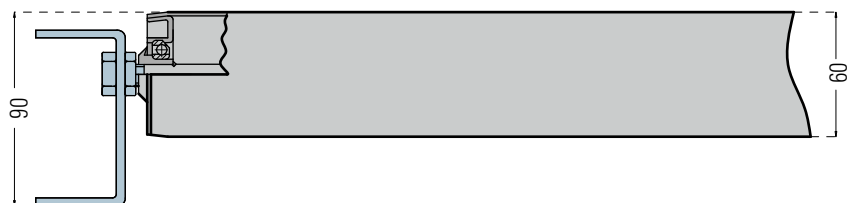
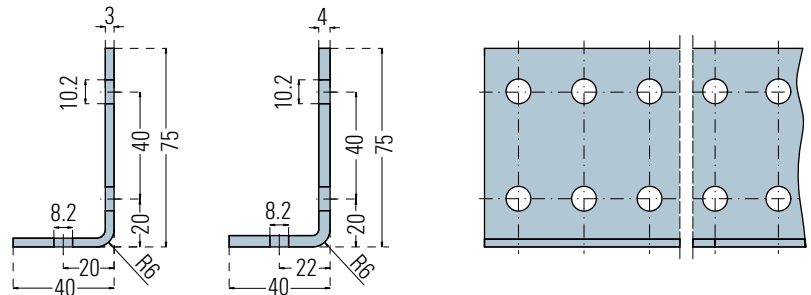
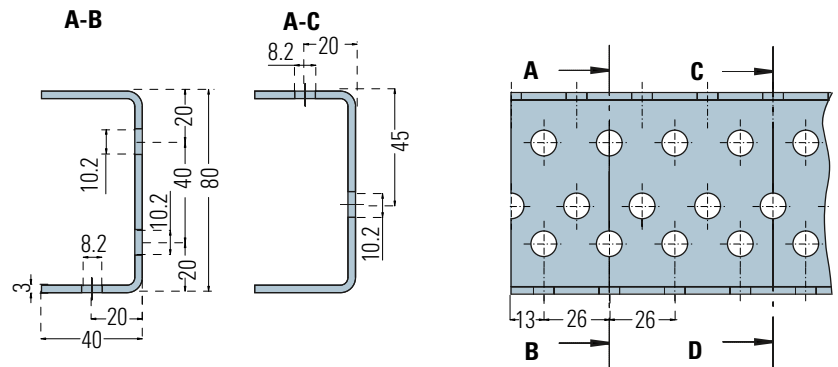
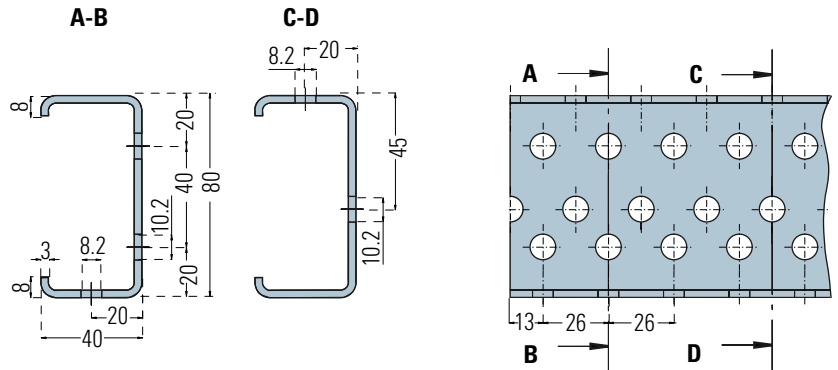
Roller specification:

Gravity Roller Conveyors for Euro-Pool-Pallets as per DIN 15 146, page 2 or similar pallets are equipped with steel rollers dia. 60 x 2 mm, the carrying capacity per roller is 240 kg. To achieve a long life, steel ball bearings are fitted with a dust shield. The ball bearings are maintenance-free. For special executions different type of rollers can be supplied. The standard roller is supplied in bright steel, but can also be delivered galvanised. The standard roller pitch is 156 mm. The total height of the EUROROLL-Roller Conveyor is 90 mm with rollers dia. 60 mm.

When using Variofix-C-shaped profiles rollers with continuous axis are fitted in the profile.

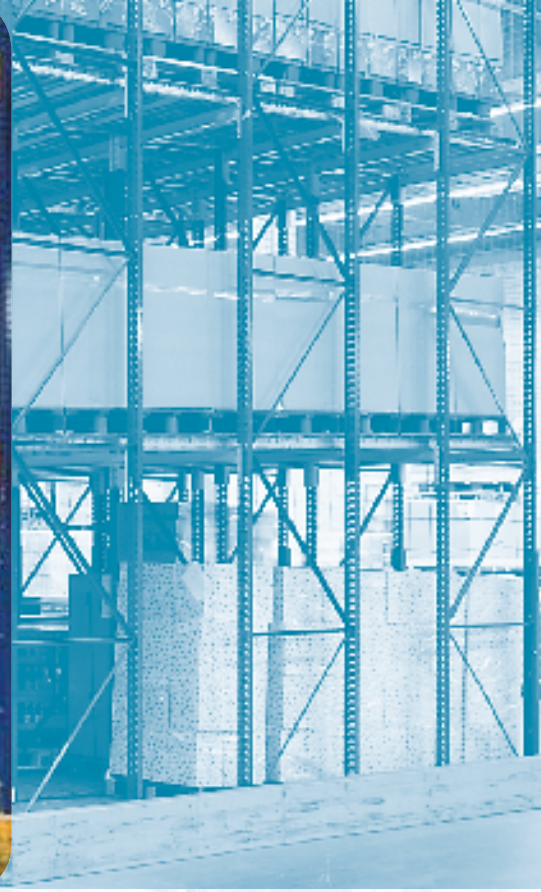
Width of the conveyors

For 800 mm wide pallets, the standard width of the conveyor is 952 mm. For 1000 mm wide pallets the width of the conveyor is 1.152 mm. Other widths for conveyors can, of course, be supplied upon request.



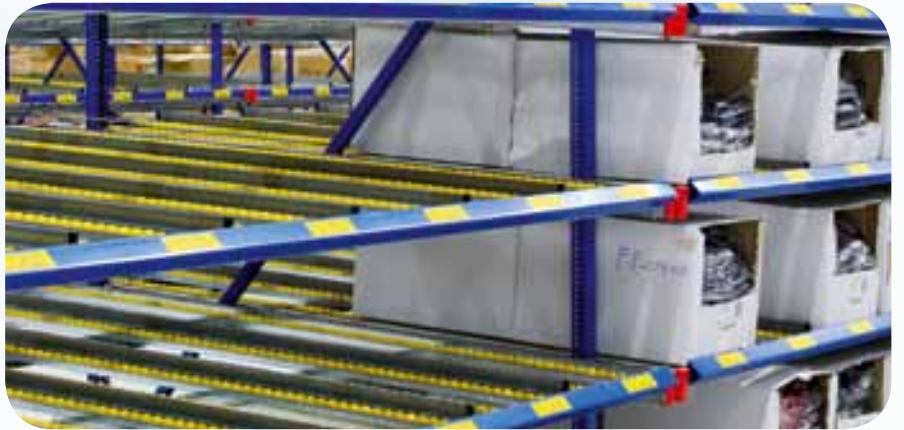
PALLET ROLLER CONVEYORS

tips and examples of application



EXAMPLES OF APPLICATION

Fix- and Autofix Wheel Rails
Automatic order picking
Magazine picking and
Book order picking



EUROROLL®

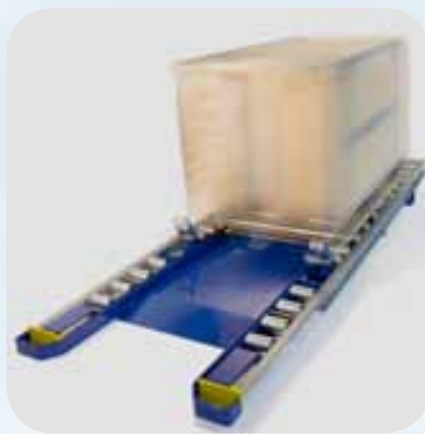
examples of application



Fix and Autofix-Wheel Rails used in picking location

EXAMPLES OF APPLICATION

Gravity roller conveyors and live storage system for pallets lengthways and crossways transport
Pallet separating device and difficult picking station

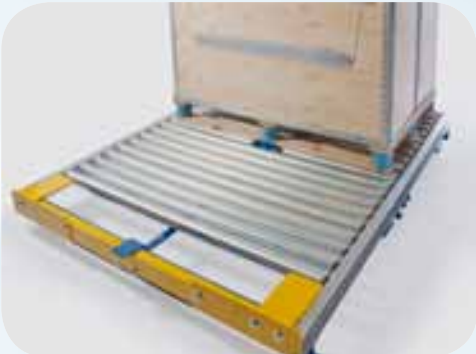


EUROROLL®

examples of application



Gravity roller conveyors and live storage system for pallets lengthways and crossways transport



COMPETENCE OF EUROROLL

- Close product development in conjunction with our market to provide solutions to customer requirements world-wide.
- Solutions are rapidly put into production.
- High production capacity and flexibility – therefore short delivery times
- Qualified employees provide a quick turn-around in regard to consultation, quotations, orders and problem solving.
- High product quality ensures a smooth operation process and long durability with optimum cost effectiveness.
- 40 years of market and product experience in conveying technique and logistics.
- Certified as per DIN ISO EN 9001.

Functional and effective logistics is the result of space and cost-saving conveying systems. EUROROLL is well-known world-wide for quality and reliability and is used everywhere, where products and goods of varying configurations are stored, picked or dispatched, such as for example in the area of food stuff wholesale business, book trade, pharmacist and drugstore wholesale business, automotive industry or general industry.



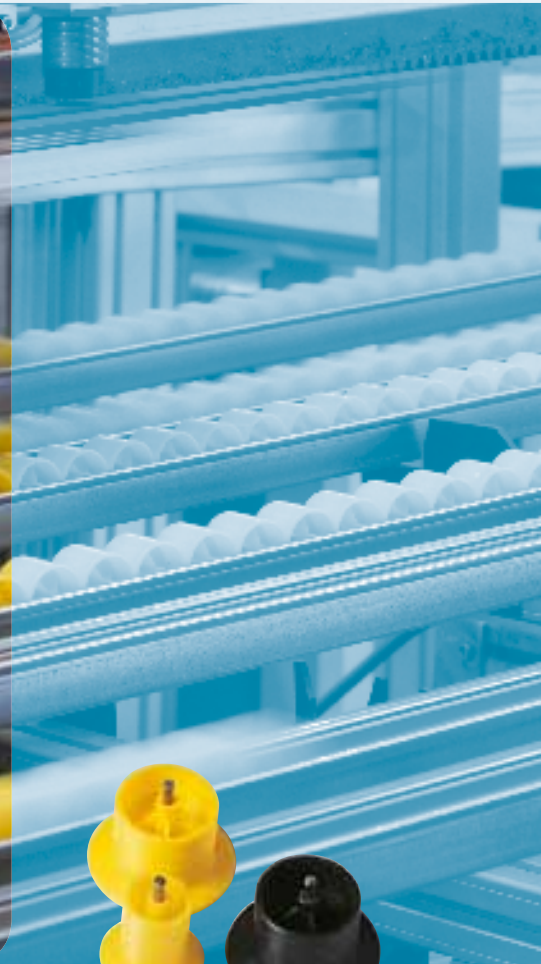
EUROROLL calculates, designs and produces an extensive product range of roller conveyors, beginning with wheel rails and roller tracks for light conveying goods, up to solid gravity roller conveyors for pallet transportation with controlled speed.

EUROROLL's highly qualified employees design and produce bespoke projects exclusively for customer requirements. Systems are laid out and designed according to detailed customer specifications. They are then tested and produced. As one of the leaders in this market, EUROROLL produces at highest quality standards in a mass production environment with great efficiency, by means of intelligent logistics and short production times.



EUROROLL®

the flexible company with progressive
and individual ideas



euroroll

**Euroroll
Beckmann GmbH & Co. KG**

Associate company of
M.A.X. Automation AG, Düsseldorf/Germany

The ideal connection:
Dynamic growing company of the medium-sized businesses
and financially strong as a public limited company

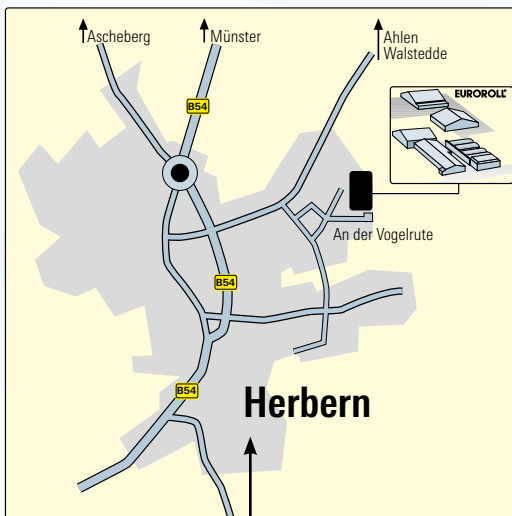
euroroll

Euroroll

Beckmann GmbH & Co. KG

Associate company of

M.A.X. Automation AG, Düsseldorf/Germany



An der Vogelrute 46b - 50
59387 Ascheberg-Herbern
Deutschland/Germany

Phone +49 25 99 18 86
+49 25 99 92 50 3-0
Fax +49 25 99 73 00

E-mail info@euroroll.de
Internet www.euroroll.de

